



US00D679679S

(12) **United States Design Patent**
Paslawski

(10) **Patent No.:** **US D679,679 S**

(45) **Date of Patent:** **** *Apr. 9, 2013**

(54) **SPEAKER**

(75) Inventor: **Ray N. Paslawski**, Wildwood, MO (US)

(73) Assignee: **Positive Outcomes, Inc.**, Wildwood,
MO (US)

(*) Notice: This patent is subject to a terminal disclaimer.

(**) Term: **14 Years**

(21) Appl. No.: **29/377,036**

(22) Filed: **Oct. 15, 2010**

(51) **LOC (9) Cl.** **14-01**

(52) **U.S. Cl.**
USPC **D14/215**

(58) **Field of Classification Search** D14/204,
D14/210–216, 172; 181/143–144, 147–148,
181/150–153, 157, 198–199; 381/300–303,
381/306, 332–333, 336, 345, 361–364, 386–388

See application file for complete search history.

(56) **References Cited**

U.S. PATENT DOCUMENTS

D360,417 S *	7/1995	Mark	D14/215
D506,745 S *	6/2005	Sitoh	D14/211
D506,746 S *	6/2005	Hioki	D14/214
D597,531 S *	8/2009	Cho	D14/215

* cited by examiner

Primary Examiner — Prabhakar Deshmukh

(74) *Attorney, Agent, or Firm* — Polster Lieder Woodruff & Luchessi, L.C.

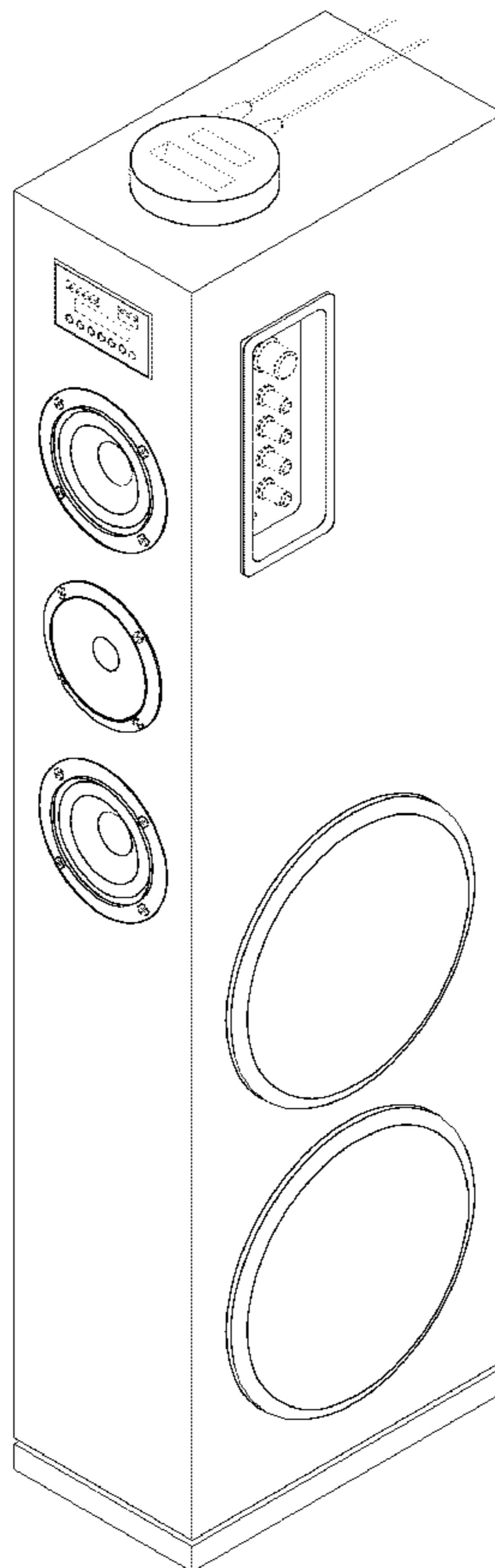
(57) **CLAIM**

The ornamental design for a speaker, as shown and described.

DESCRIPTION

FIG. 1 is a perspective view of a speaker showing my new design;
FIG. 2 is a top plan view thereof;
FIG. 3 is a bottom plan view thereof;
FIG. 4 is a front elevational view thereof;
FIG. 5 is a rear elevational view thereof;
FIG. 6 is a left side elevational view thereof; and,
FIG. 7 is a right side elevational view thereof.
The broken lines indicate the disclaimed portions and form no part of the claimed design.

1 Claim, 7 Drawing Sheets



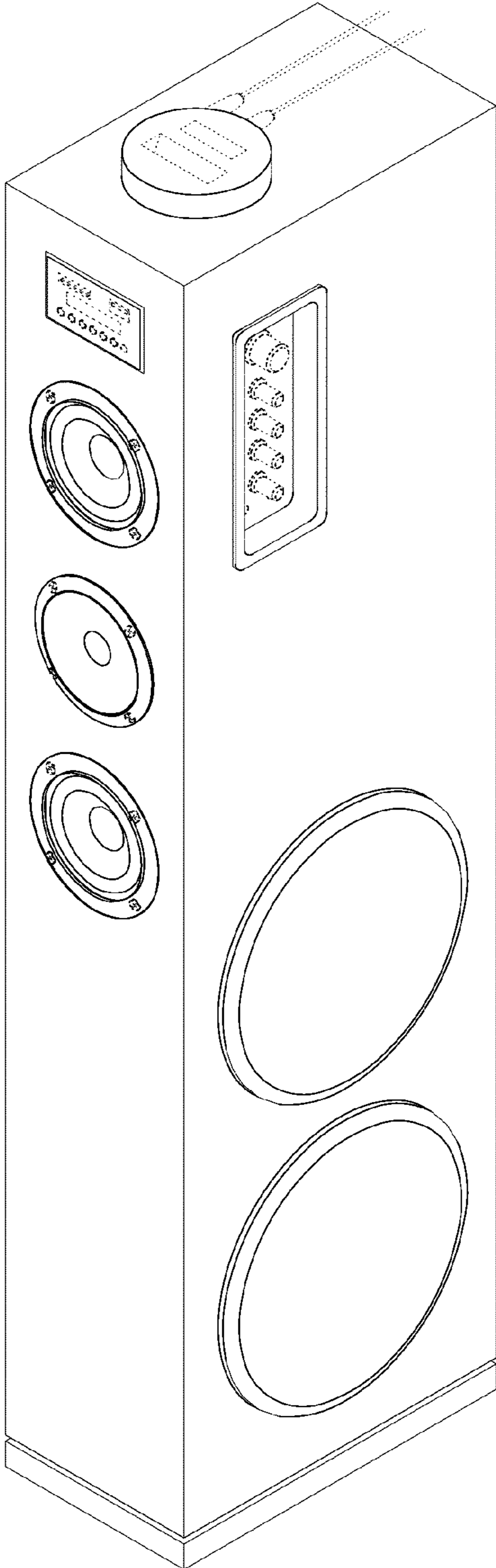


Fig 1

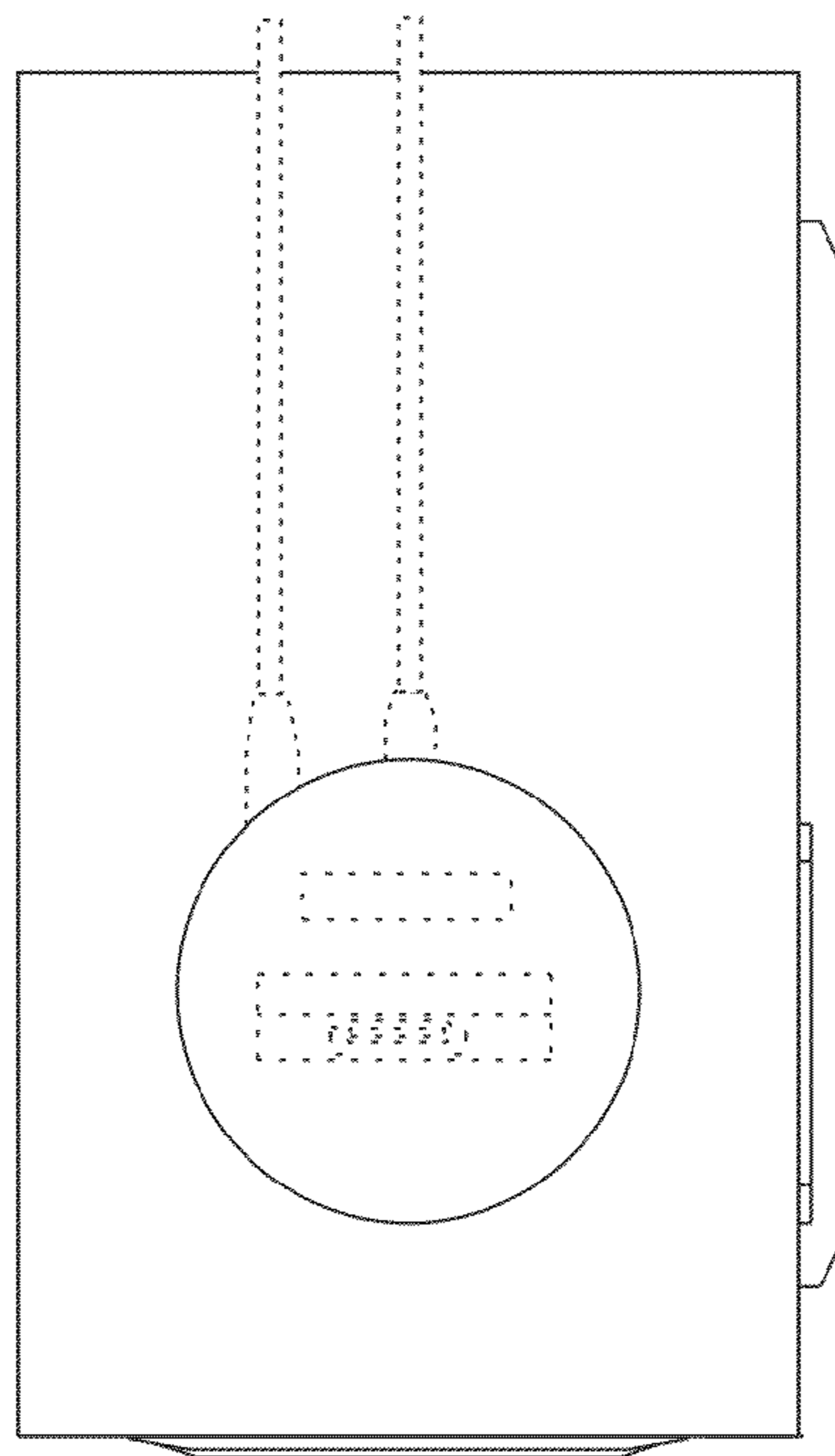


Fig 2

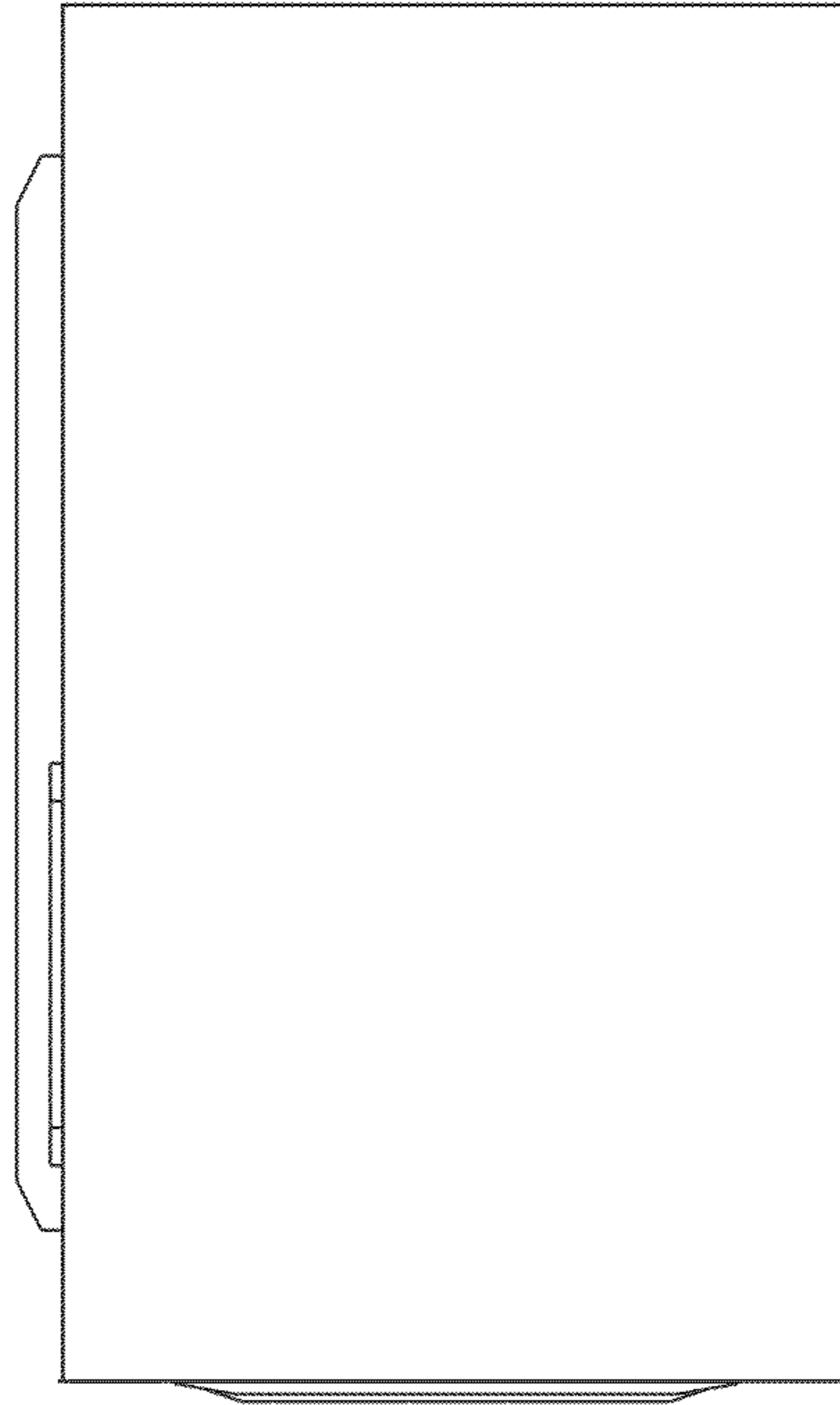


Fig 3

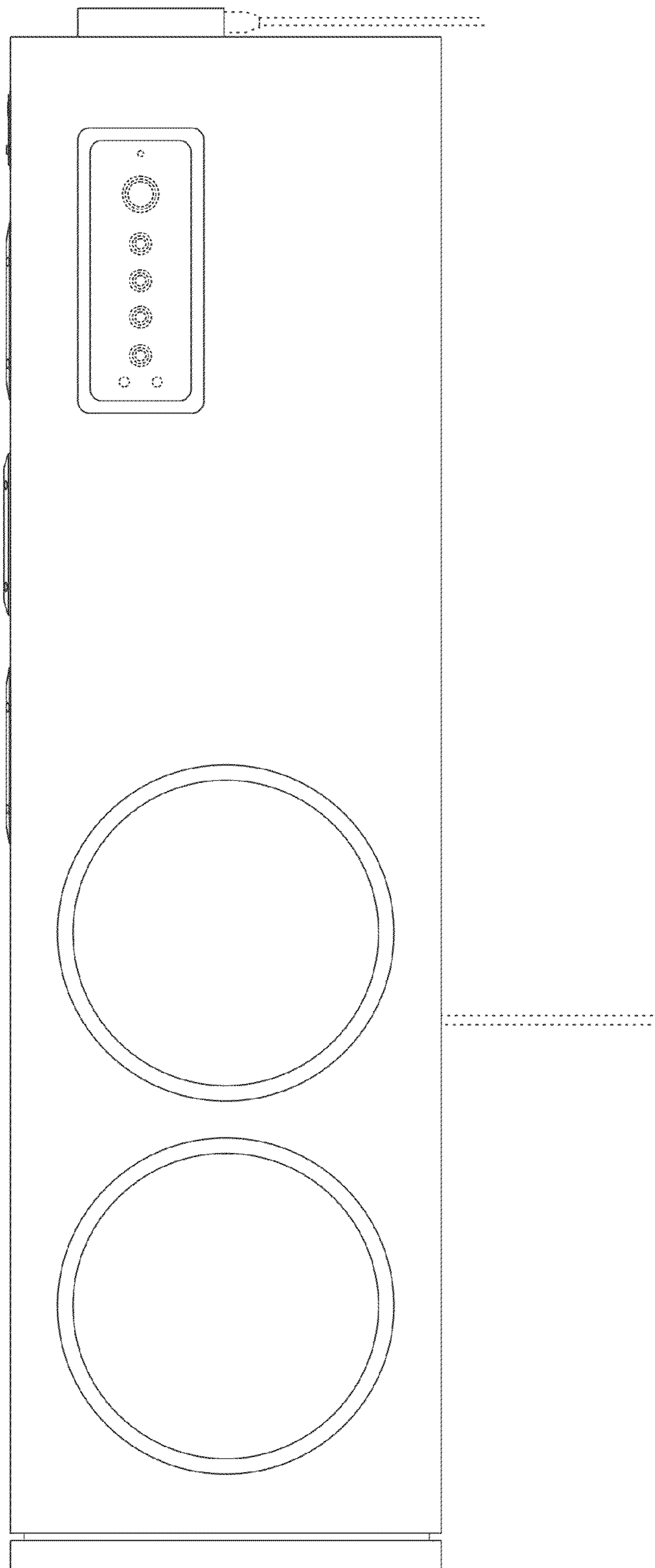


Fig 4

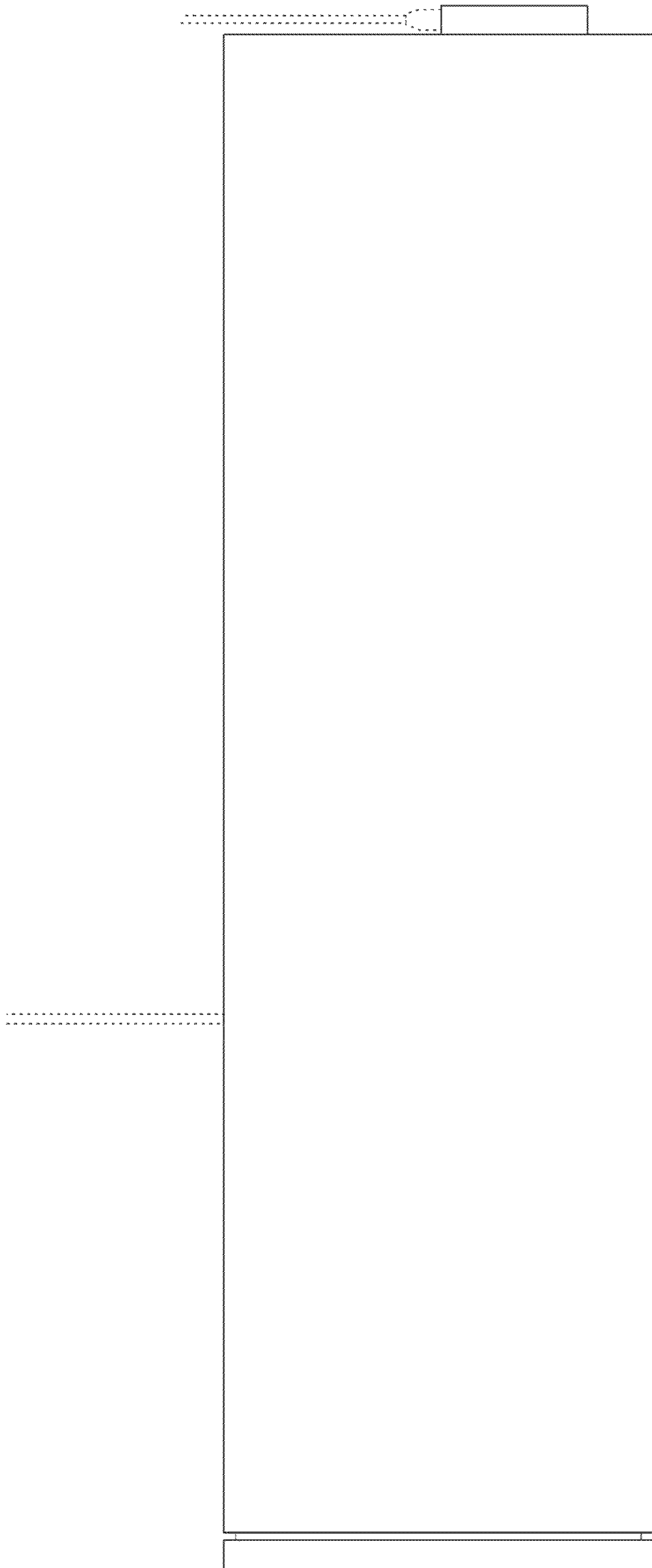


Fig 5

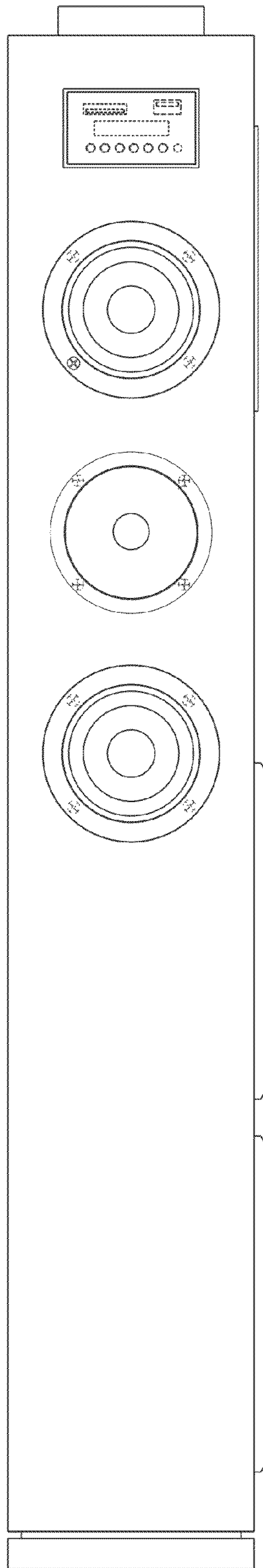


Fig 6

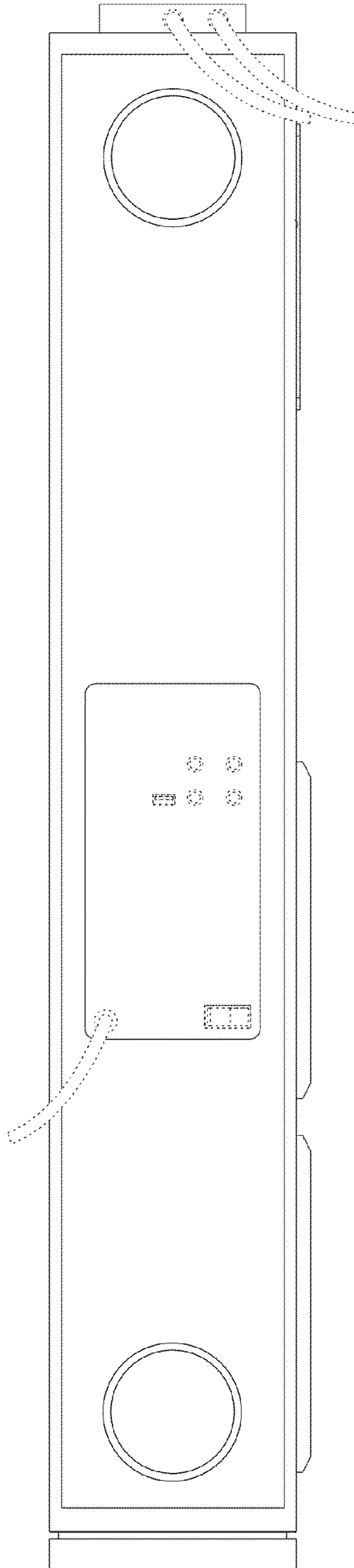


Fig 7