



US00D679674S

(12) **United States Design Patent**
Duc et al.

(10) **Patent No.:** **US D679,674 S**
(45) **Date of Patent:** **** Apr. 9, 2013**

- (54) **PORTABLE ELECTRONIC DEVICE**
- (75) Inventors: **Igor Duc**, Hong Kong (HK); **John Brunner**, Hong Kong (HK)
- (73) Assignee: **Design Pool Limited**, Central (HK)
- (**) Term: **14 Years**
- (21) Appl. No.: **29/408,210**
- (22) Filed: **Dec. 8, 2011**
- (30) **Foreign Application Priority Data**

Jun. 8, 2011 (HK) 1100936

- (51) **LOC (9) Cl.** **14-03**
- (52) **U.S. Cl.** **D14/138 G; D14/341; D14/347**
- (58) **Field of Classification Search** D14/138 G, D14/138 AD, 341, 346, 347, 138 R, 138 AA, D14/138 AC, 138 C, 496, 203.1, 203.4, 203.7, D14/248, 218, 191; 455/575.1, 556.2, 575.3, 455/575.4; D21/517, 329, 331; 379/433.01, 379/433.04; D10/65, 78, 104; D13/168; D20/29

See application file for complete search history.

(56) **References Cited**

U.S. PATENT DOCUMENTS

D337,386 S *	7/1993	Bierend	D24/194
5,661,632 A *	8/1997	Register	361/679.3
D453,797 S *	2/2002	Cranston et al.	D20/23
D479,527 S *	9/2003	Eigenstetter et al.	D14/346
D510,882 S *	10/2005	Buchanan	D10/78
D515,527 S *	2/2006	Swallow	D14/137
D520,491 S *	5/2006	Smith	D14/191
D528,097 S *	9/2006	Kim	D14/138 G
D530,698 S *	10/2006	Lee et al.	D14/138 G
D531,068 S *	10/2006	Fan	D10/65
D542,679 S *	5/2007	Bloem	D10/65
D545,699 S *	7/2007	Mudd et al.	D10/65
D563,806 S *	3/2008	Jeon	D10/65
D563,807 S *	3/2008	Jeon	D10/65
D568,286 S *	5/2008	Suk et al.	D14/138 G
D571,234 S *	6/2008	Reeson et al.	D10/65
D580,905 S *	11/2008	Park et al.	D14/138 AD
D595,256 S *	6/2009	Mitchell et al.	D14/138 AD
D606,038 S *	12/2009	Aarras	D14/138 G
D608,781 S *	1/2010	Wada	D14/371

D617,757 S *	6/2010	Kim et al.	D14/138 AD
D619,985 S *	7/2010	Choi et al.	D14/138 G
D644,542 S *	9/2011	Henne et al.	D10/65
D647,573 S *	10/2011	Nomiya et al.	D21/329
8,045,323 B2 *	10/2011	Murakata	361/679.01
D657,270 S *	4/2012	Desprey	D10/65
D659,567 S *	5/2012	Stevens et al.	D10/65
D666,574 S *	9/2012	Kim et al.	D14/138 G
D666,981 S *	9/2012	Kim et al.	D14/138 G

OTHER PUBLICATIONS

Video Memo Replaces Notes on Fridge, posted Jan. 11, 2012, designtaxi.com, [online], [site visited Nov. 29, 2012]. Available from Internet, <URL: <http://designtaxi.com/news/351295/Video-Memo-Replaces-Notes-On-Fridges/>>.*

Speech bubble-shaped Speak-er on sale this year, posted by Darren Murph Jan. 30, 2009, endgadget.com, [online], [site visited Nov. 29, 2012]. Available from Internet, <URL: <http://www.engadget.com/2009/01/30/speech-bubble-shaped-speak-er-on-sale-this-year/>>.*

Sony Ericsson Xperia active telephone, announced Jun. 2011, [online], [site visited Nov. 21, 2012]. Available from Internet, <URL: http://www.gsmarena.com/sony_ericsson_xperia_active-3998.php>.*

Motorola Droid XTreme telephone, no announced date given, [online], [site visited Nov. 21, 2012]. Available from Internet, <URL: http://www.gsmarena.com/motorola_droid_xtreme-3092.php>.*

* cited by examiner

Primary Examiner — Jeffrey D Asch

(57) **CLAIM**

The ornamental design for a portable electronic device, substantially as shown.

DESCRIPTION

FIG. 1 is a top plan view of the portable electronic device embodying the new design;

FIG. 2 is a bottom plan view thereof;

FIG. 3 is a front side view of the portable electronic device;

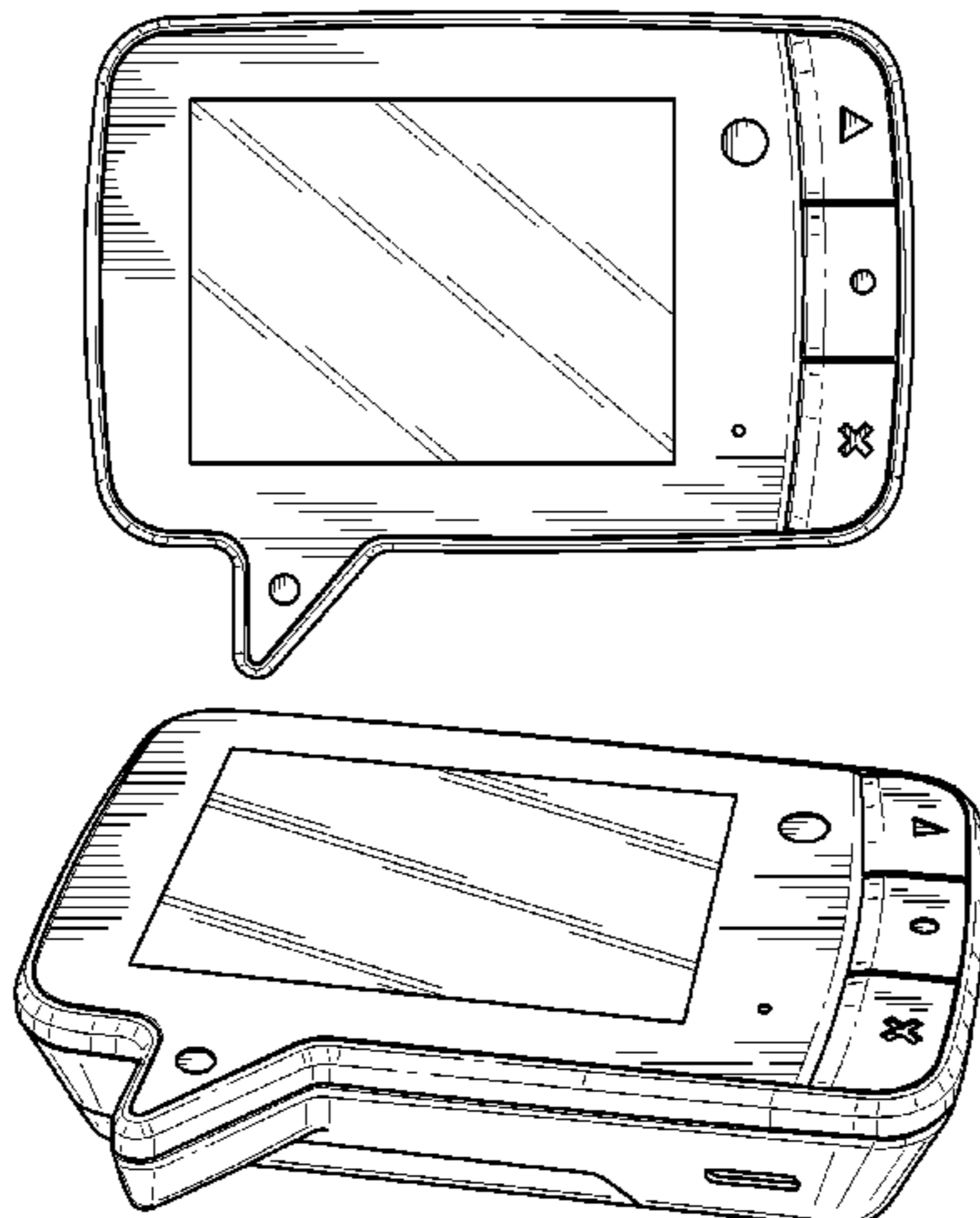
FIG. 4 is a back side view thereof;

FIG. 5 is a left side view thereof;

FIG. 6 is a right side view thereof; and,

FIG. 7 is a perspective top view the portable electronic device.

1 Claim, 5 Drawing Sheets



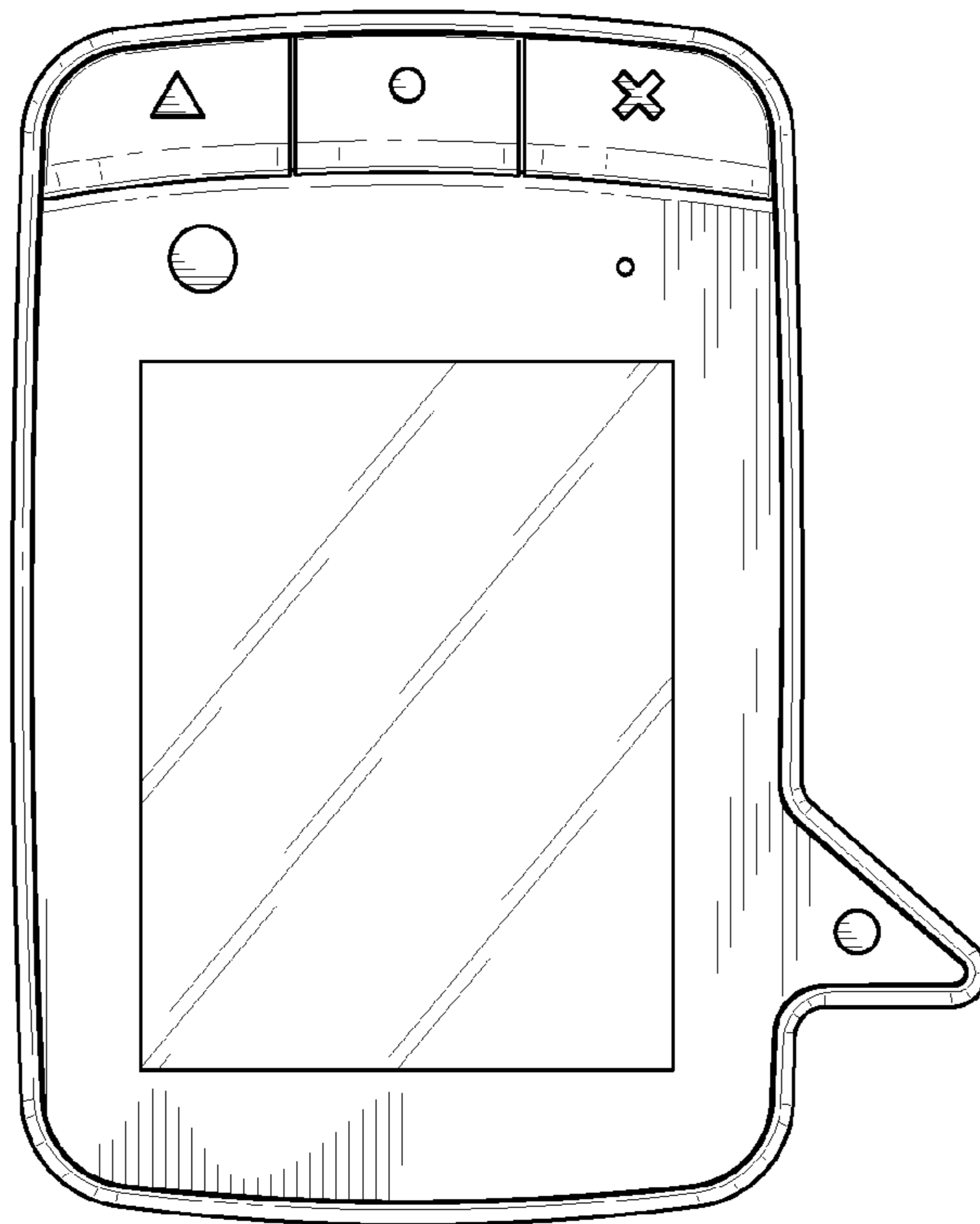


FIG. 1

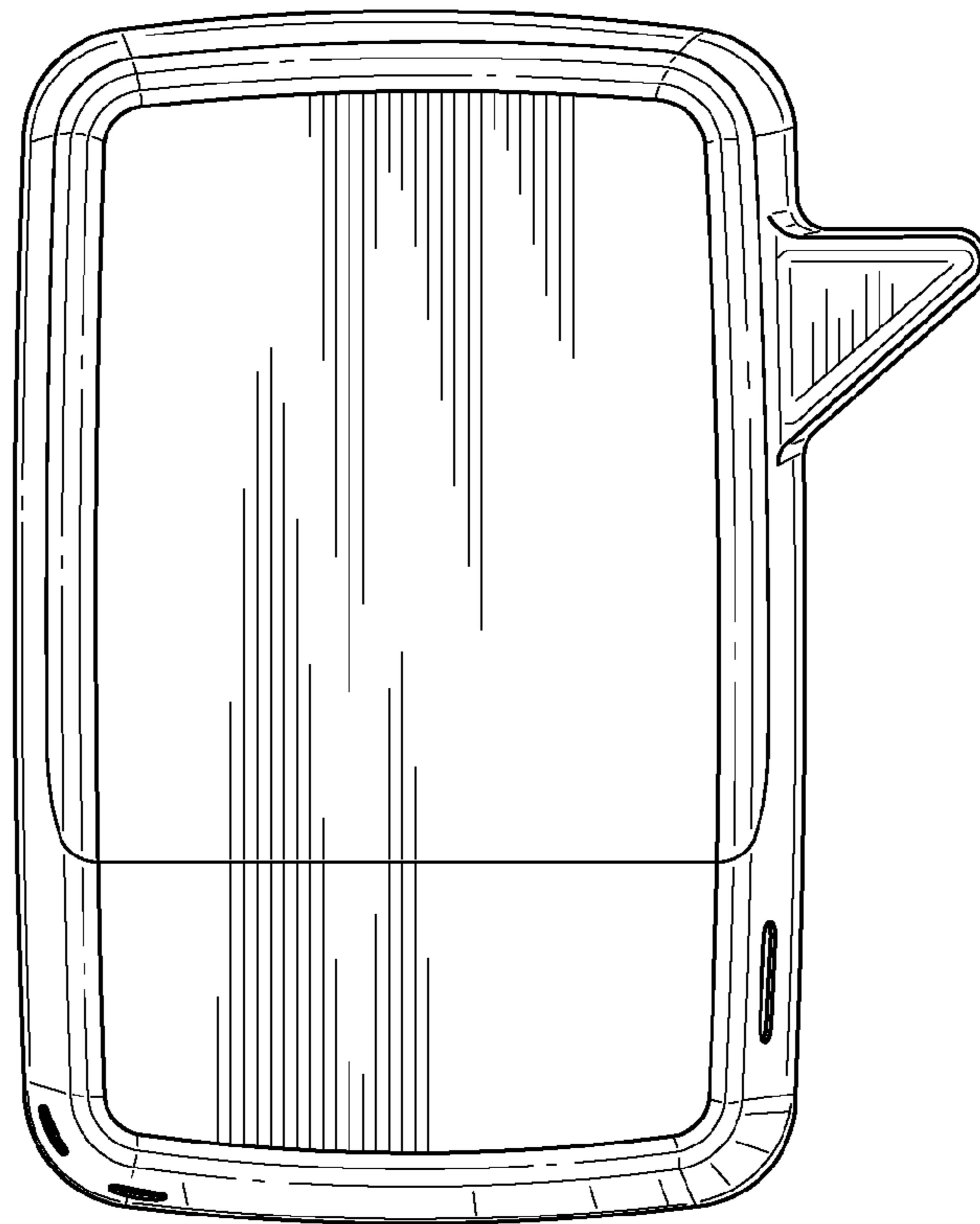


FIG. 2

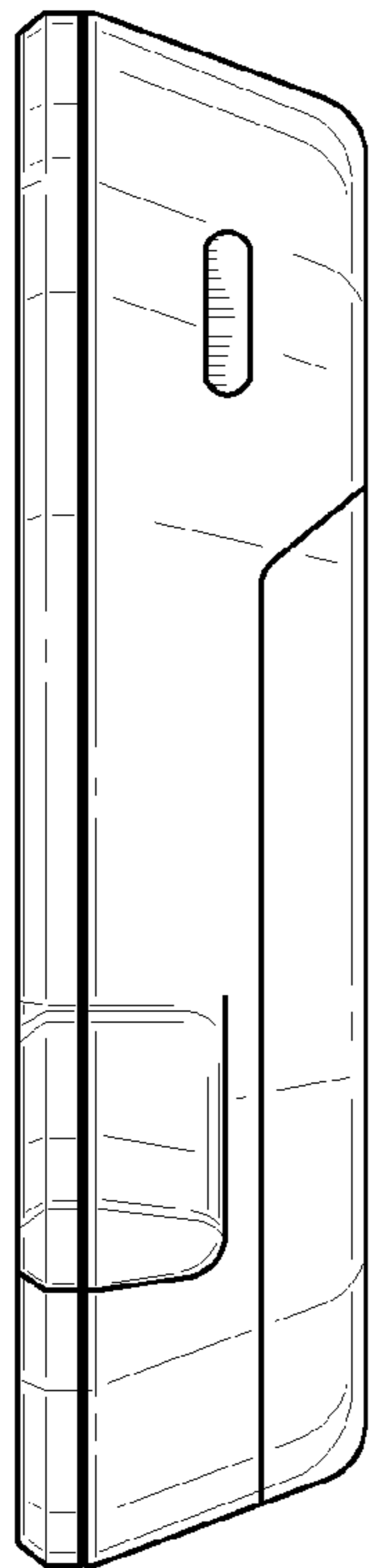


FIG. 3

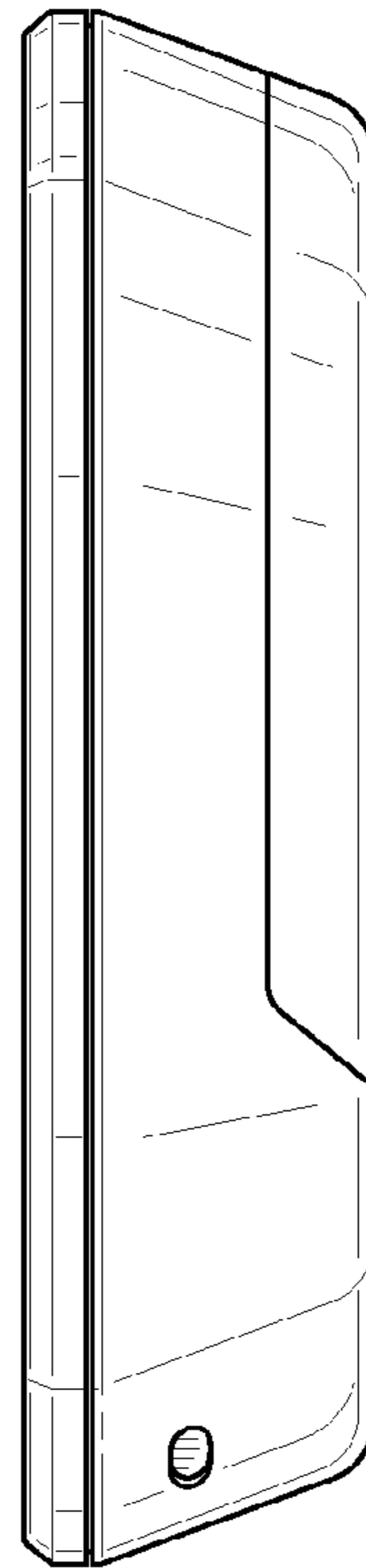


FIG. 4

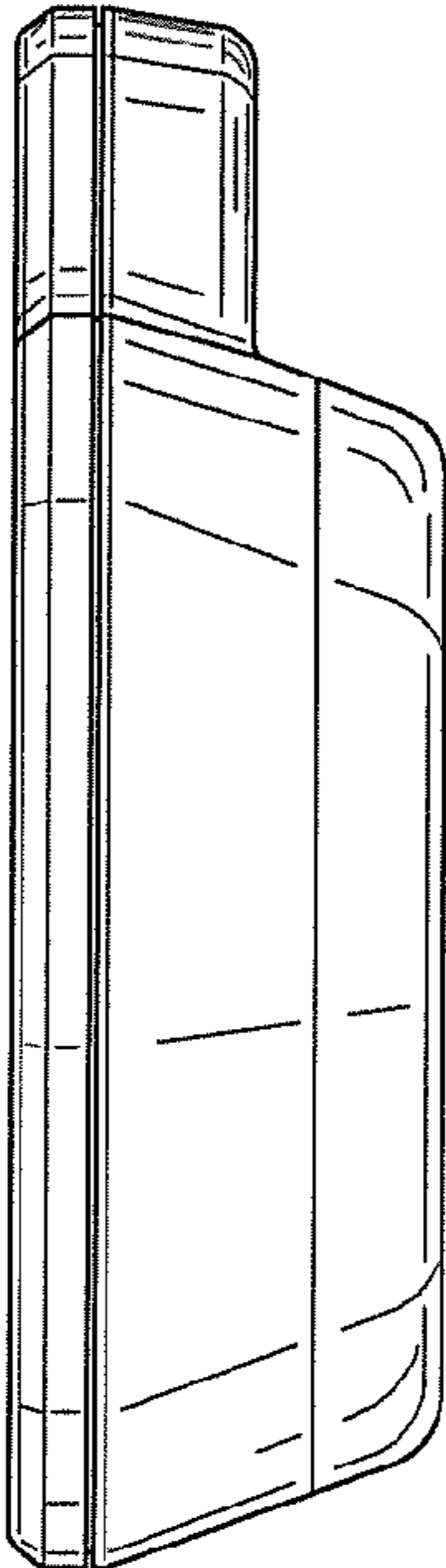


FIG. 5

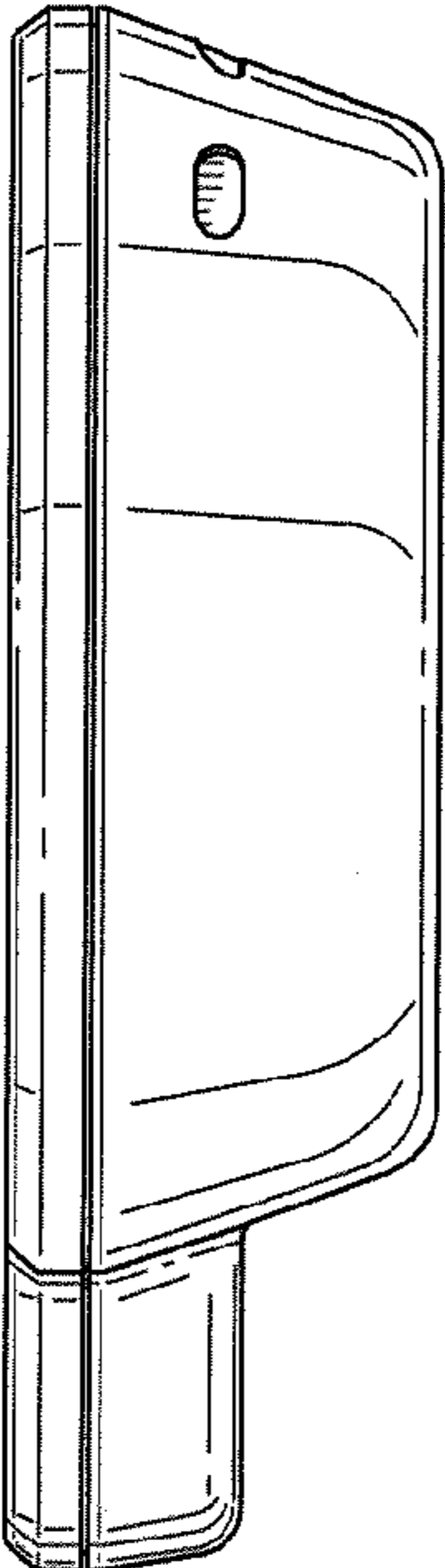


FIG. 6

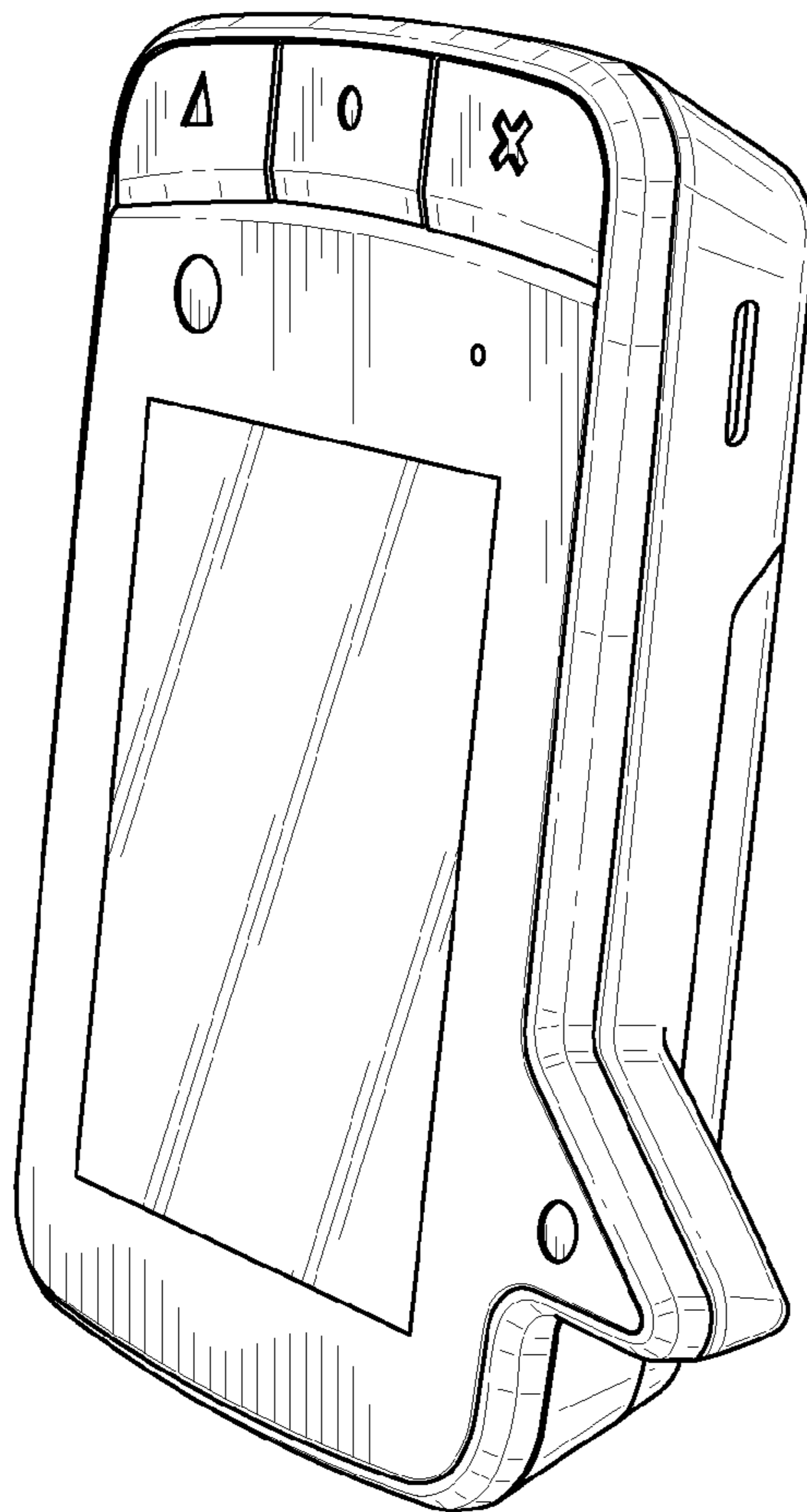


FIG. 7