



US00D679673S

(12) **United States Design Patent**
Wheaton et al.

(10) **Patent No.:** **US D679,673 S**
(45) **Date of Patent:** **** Apr. 9, 2013**

(54) **WIRELESS COMMUNICATIONS DEVICE**

(74) *Attorney, Agent, or Firm* — DLA Piper LLP (US)

(75) Inventors: **Chris Wheaton**, San Francisco, CA (US); **Debashis Pramanik**, Gilroy, CA (US); **Ben Chia**, Cupertino, CA (US)

(57) **CLAIM**
We claim the ornamental design for a wireless communications device, as shown and described.

(73) Assignee: **Vocera Communications, Inc.**, San Jose, CA (US)

DESCRIPTION

(**) Term: **14 Years**

(21) Appl. No.: **29/388,076**

(22) Filed: **Mar. 23, 2011**

(51) **LOC (9) Cl.** **14-03**

(52) **U.S. Cl.**
USPC **D14/137**

(58) **Field of Classification Search** D14/135,
D14/137, 139, 157, 188, 197–198, 257, 258,
D14/138 R, 138 AA, 138 C, 138 AD, 138 AC,
D14/138 G, 147, 218, 341–347; 361/814;
455/90.1–90.3

See application file for complete search history.

FIG. 1 is a front perspective view of a wireless communications device embodying the design without a clip in order to show aspects of the design that are not otherwise apparent. FIG. 2 is a back perspective view of the wireless communications device shown in FIG. 1. FIG. 3 is a right side view of the wireless communications device shown in FIG. 1. FIG. 4 is a front view of the left side of the wireless communications device shown in FIG. 1. FIG. 5 is a left side view of the wireless communications device shown in FIG. 1. FIG. 6 is a bottom view of the wireless communications device shown in FIG. 1. FIG. 7 is a back view of the wireless communications device shown in FIG. 1. FIG. 8 is a top view of the wireless communications device shown in FIG. 1. FIG. 9 is a front perspective view of the wireless communications device embodying the design with a clip attached. FIG. 10 is a back perspective view of the wireless communications device with the clip attached. FIG. 11 is a right side view of the wireless communications device with the clip attached. FIG. 12 is a front view of the left side of the wireless communications device with the clip attached. FIG. 13 is a left side view of the wireless communications device with the clip attached. FIG. 14 is a back view of the wireless communications device with the clip attached. FIG. 15 is a bottom view of the wireless communications device with the clip attached; and, FIG. 16 is a top view of the wireless communications device with the clip attached.

(56) **References Cited**

U.S. PATENT DOCUMENTS

D167,828 S	9/1952	Florac	
D241,854 S	10/1976	Noyes	
D261,274 S	* 10/1981	Gobeli D18/7
D303,528 S	9/1989	Scheid et al.	
D306,589 S	3/1990	Murayama	
D339,137 S	9/1993	Takeda	

(Continued)

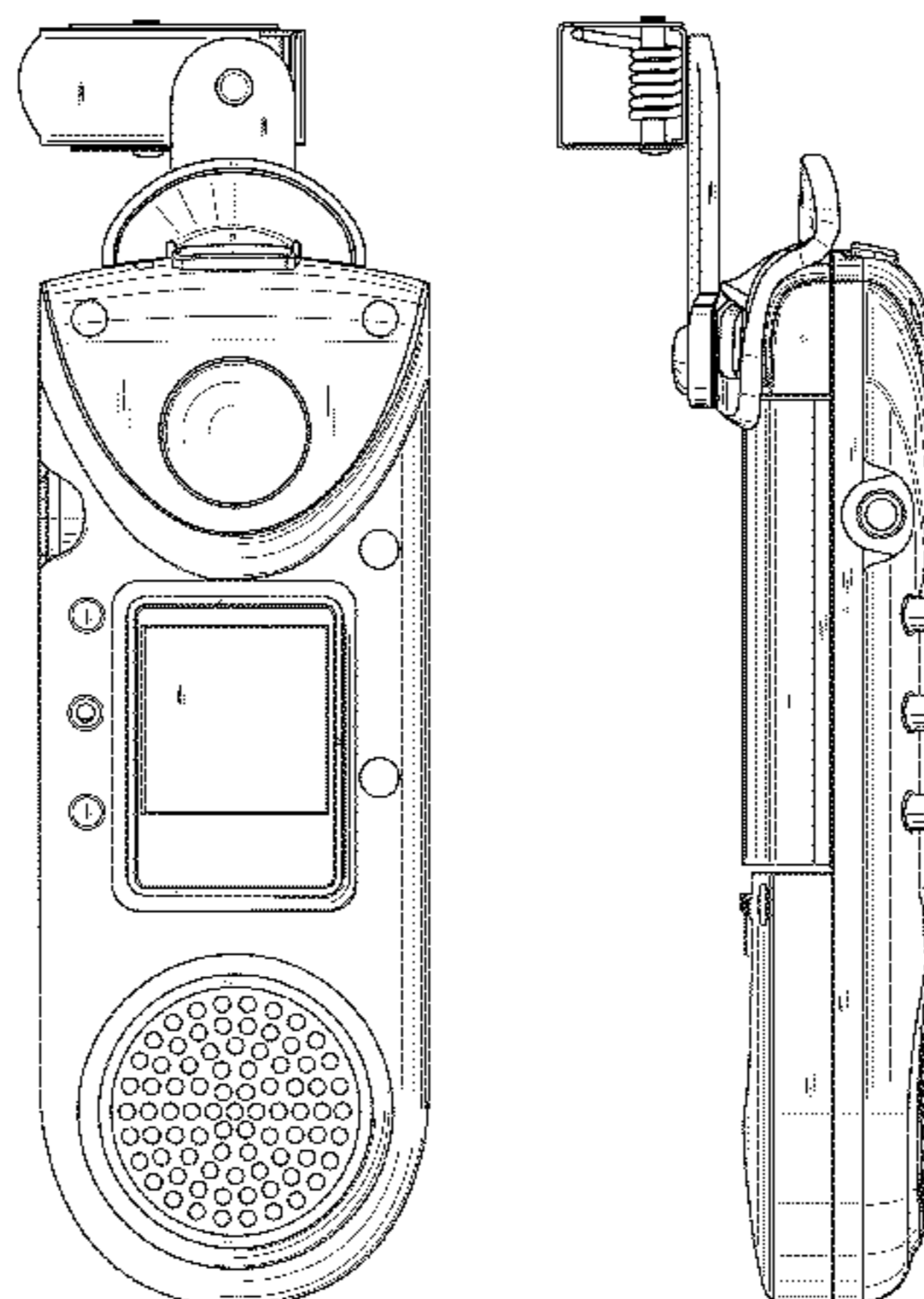
OTHER PUBLICATIONS

Nokia 8800 Sirocco, announced Sep. 2006, [online], [retrieved on Feb. 16, 2007]. Retrieved from Internet ,<URL: <http://www.gsmarena.com>>.*

(Continued)

Primary Examiner — Bridget L Eland

1 Claim, 6 Drawing Sheets



US D679,673 S

Page 2

U.S. PATENT DOCUMENTS

D342,260 S	12/1993	Sakata	
D342,739 S	12/1993	Atkin et al.	
D346,152 S	4/1994	Zaugg	
D346,171 S	4/1994	Ratcliffe	
D355,181 S	2/1995	Siddoway	
D355,895 S	2/1995	Soren et al.	
D358,394 S	5/1995	Dyas	
D358,813 S	5/1995	Scheid	
D358,816 S	5/1995	Schied	
D366,262 S	1/1996	Inaba	
D373,318 S	9/1996	Berch et al.	
D378,678 S	4/1997	Tyneski et al.	
D385,207 S	10/1997	Úrvoy	
D391,568 S	3/1998	Carlson	
D395,882 S	7/1998	Cross et al.	
D401,521 S *	11/1998	Wrisley et al.	D10/78
D407,396 S	3/1999	Ogasawara	
D413,328 S	8/1999	Kazama	
D418,141 S	12/1999	Godette et al.	
D425,887 S	5/2000	Edwards et al.	
D427,583 S	7/2000	Kazama	
6,173,194 B1	1/2001	Vanttila	
D445,412 S *	7/2001	Lee et al.	D14/138 AB
D446,554 S	8/2001	Gautieri et al.	
D454,869 S	3/2002	Becker et al.	
D457,149 S	5/2002	Arpe	
D460,059 S	7/2002	Chan	
D460,060 S	7/2002	Hughes et al.	
D464,034 S	10/2002	Arpe	
D467,911 S	12/2002	Lee	
D479,211 S	9/2003	Siddoway et al.	
D479,712 S *	9/2003	Ng	D14/203.3
D486,806 S	2/2004	Takayama	
D486,807 S	2/2004	Takayama	
6,892,083 B2	5/2005	Shostak	
6,901,255 B2	5/2005	Shostak	
7,054,670 B2 *	5/2006	Wang et al.	455/566
D530,301 S *	10/2006	Kim et al.	D14/138 AD
D538,252 S *	3/2007	Joung	D14/138 AA
7,190,802 B2	3/2007	Rains et al.	
D539,812 S *	4/2007	Chuang	D14/203.7
7,206,594 B2	4/2007	Shostak	
D542,753 S *	5/2007	Majanen et al.	D14/138 AD
D542,766 S *	5/2007	Miyazaki et al.	D14/138 AC
D542,767 S *	5/2007	Choi et al.	D14/138 AC
D545,802 S *	7/2007	Choi et al.	D14/138 AC
7,248,881 B2	7/2007	Shostak	
D553,113 S *	10/2007	Cha et al.	D14/138 AC
D555,136 S *	11/2007	Choi et al.	D14/138 AD
7,310,541 B2	12/2007	Shostak	
D563,939 S *	3/2008	Laine et al.	D14/138 AD
7,457,751 B2	11/2008	Shostak	
D596,631 S *	7/2009	Van Den Nieuwenhuizen et al.	D14/247
D599,768 S *	9/2009	Kim et al.	D14/138 AD
D601,135 S *	9/2009	Stone	D14/247
D608,328 S *	1/2010	Nilsen et al.	D14/138 AA
D616,464 S *	5/2010	Park	D14/496
7,764,972 B2	7/2010	Shostak	
7,953,447 B2	5/2011	Shostak	
7,978,619 B2	7/2011	Nielsen	
2003/0020694 A1	1/2003	Kim et al.	
2003/0045279 A1	3/2003	Shostak	
2003/0073434 A1	4/2003	Shostak	
2003/0090387 A1	5/2003	Lestienne et al.	
2004/0127262 A1 *	7/2004	Ohno	455/566
2006/0019726 A1 *	1/2006	Park et al.	455/575.1
2009/0043587 A1	2/2009	Shostak	
2009/0216525 A1	8/2009	Shostak	
2009/0305651 A1 *	12/2009	Kerwood	455/90.3

OTHER PUBLICATIONS

Samsung X810, announced 2nd quarter 2005, [online], [retrieved on Aug. 21, 2007]. Retrieved from Internet ,<URL: <http://www.gsmarena.com>>.*

Samsung M6710 Beat Disc, announced Feb. 2009, [online], [retrieved on Feb. 20, 2009]. Retrieved from Internet ,<URL: <http://www.gsmarena.com>>.*

Motorola CP125, [online], [retrieved on Mar. 24, 2009]. Retrieved from Internet ,<URL: <http://www.talktwoway.com>>.*

* cited by examiner

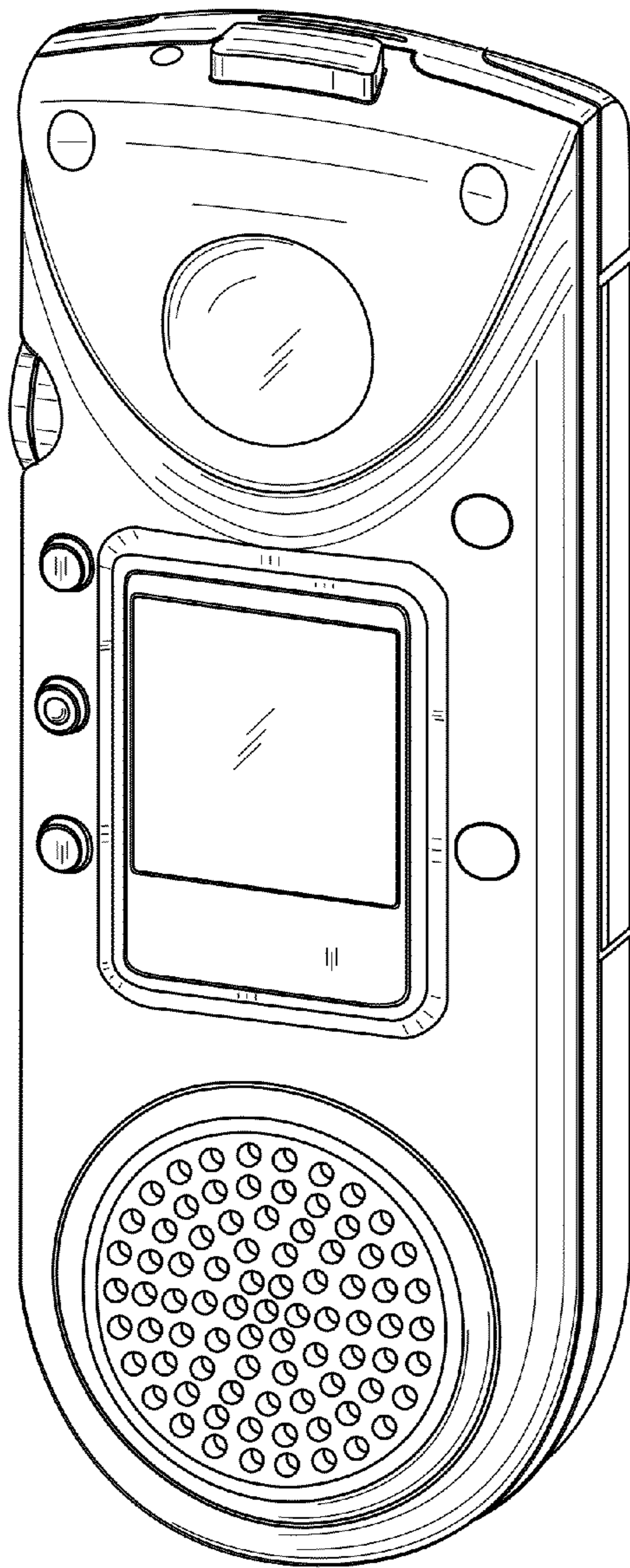


FIG. 1

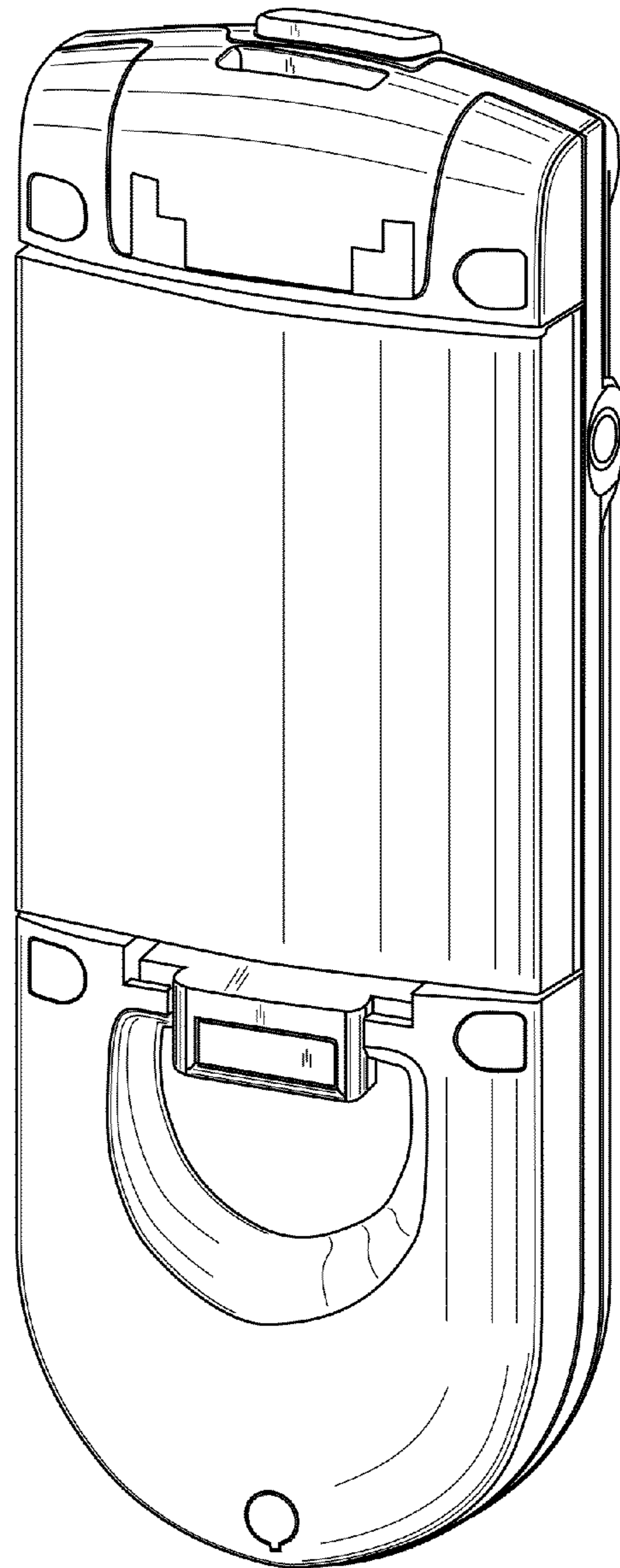


FIG. 2

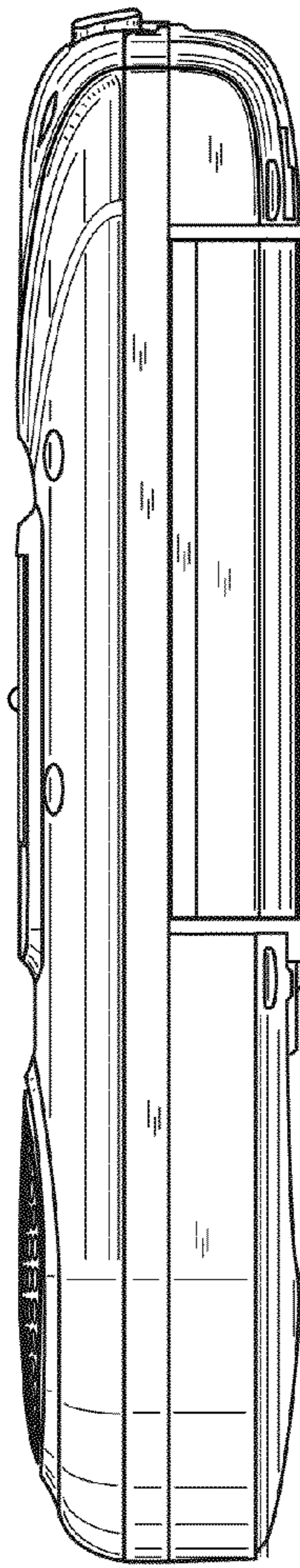


FIG. 3

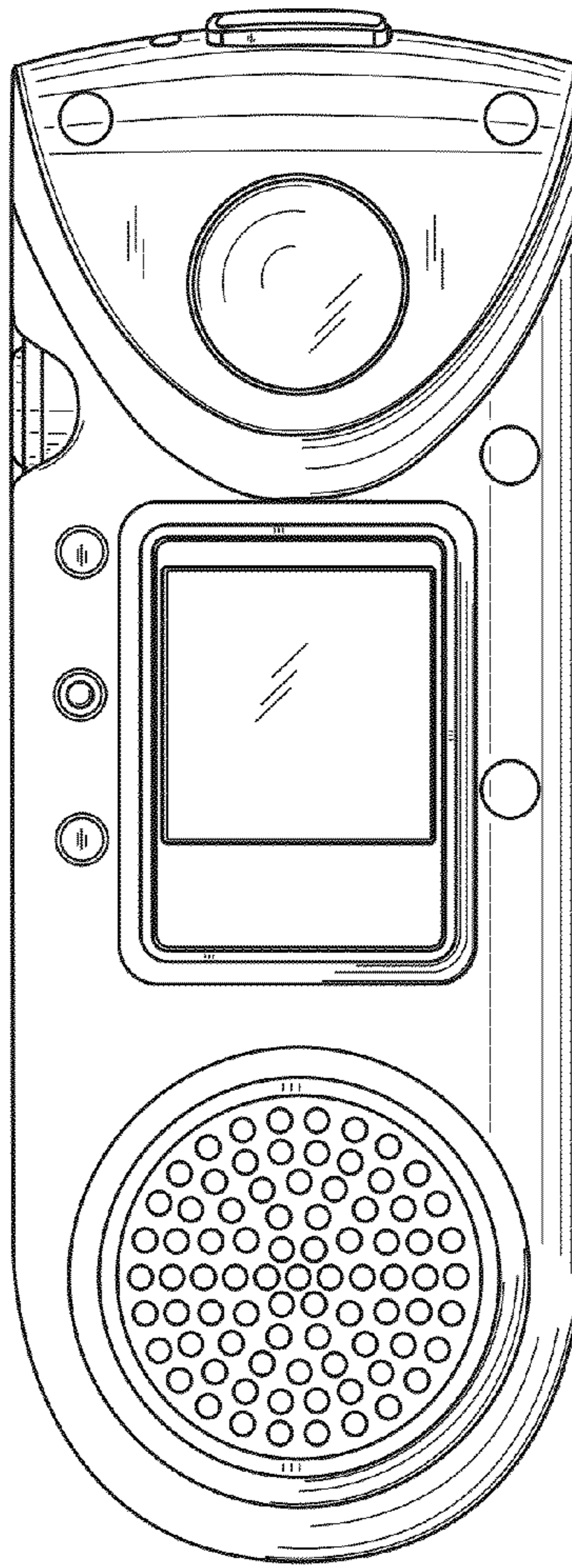


FIG. 4

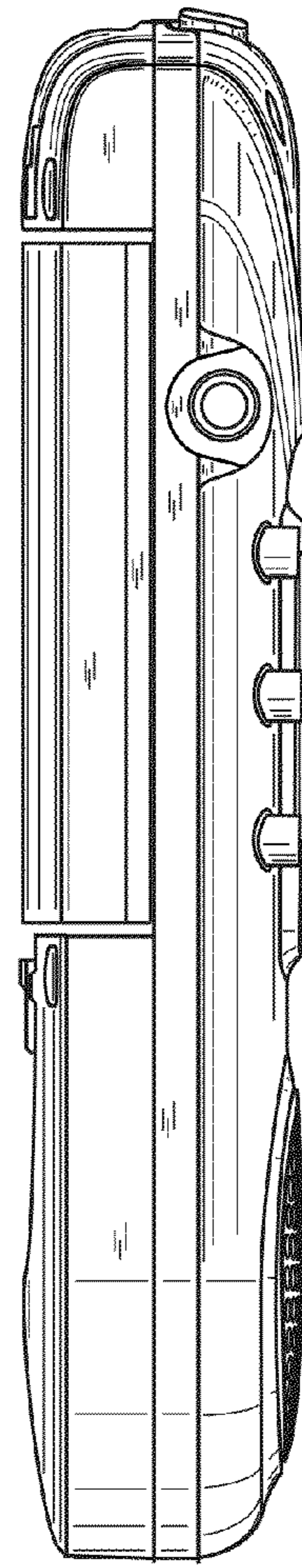


FIG. 5

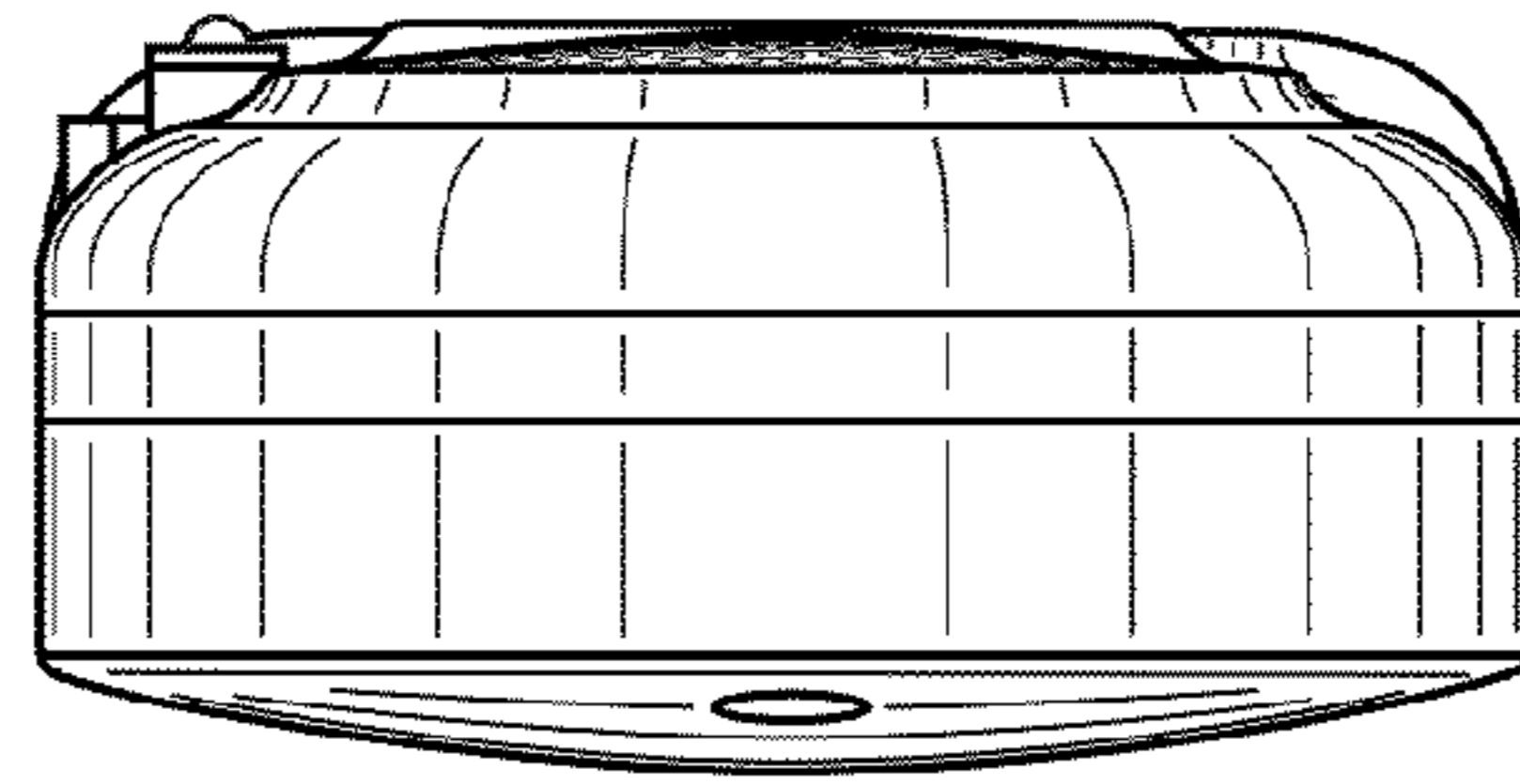


FIG. 6

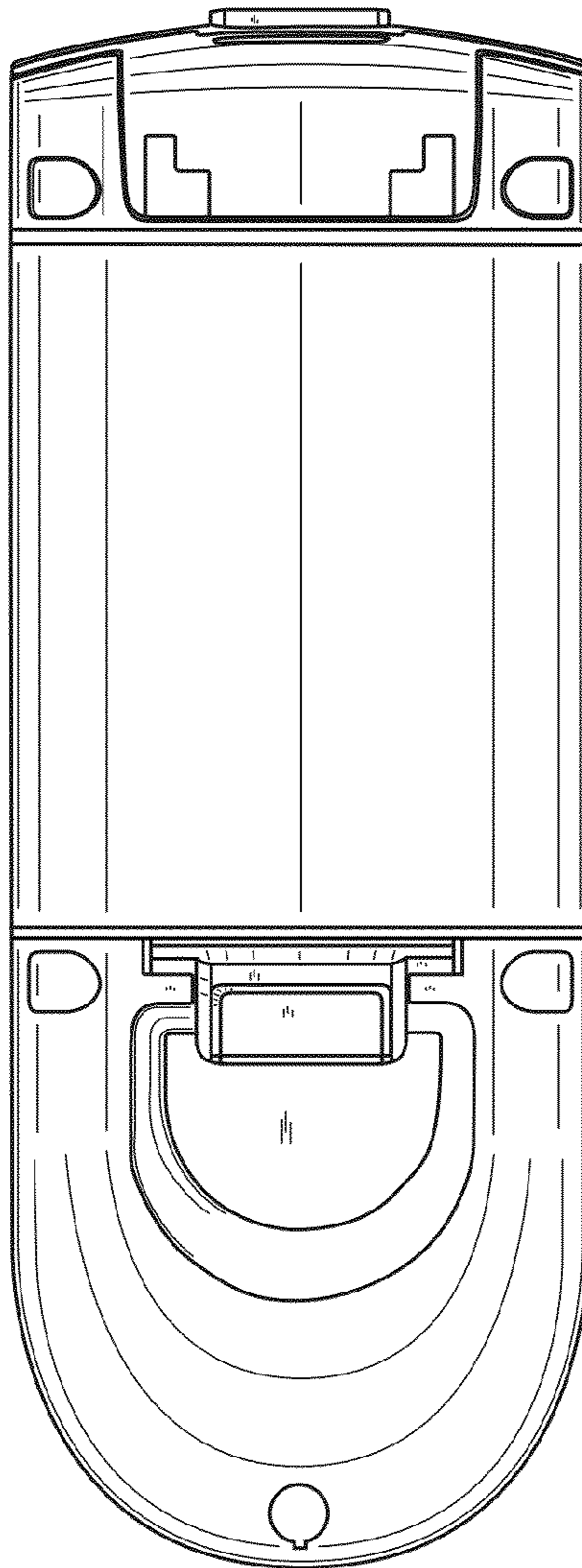


FIG. 7

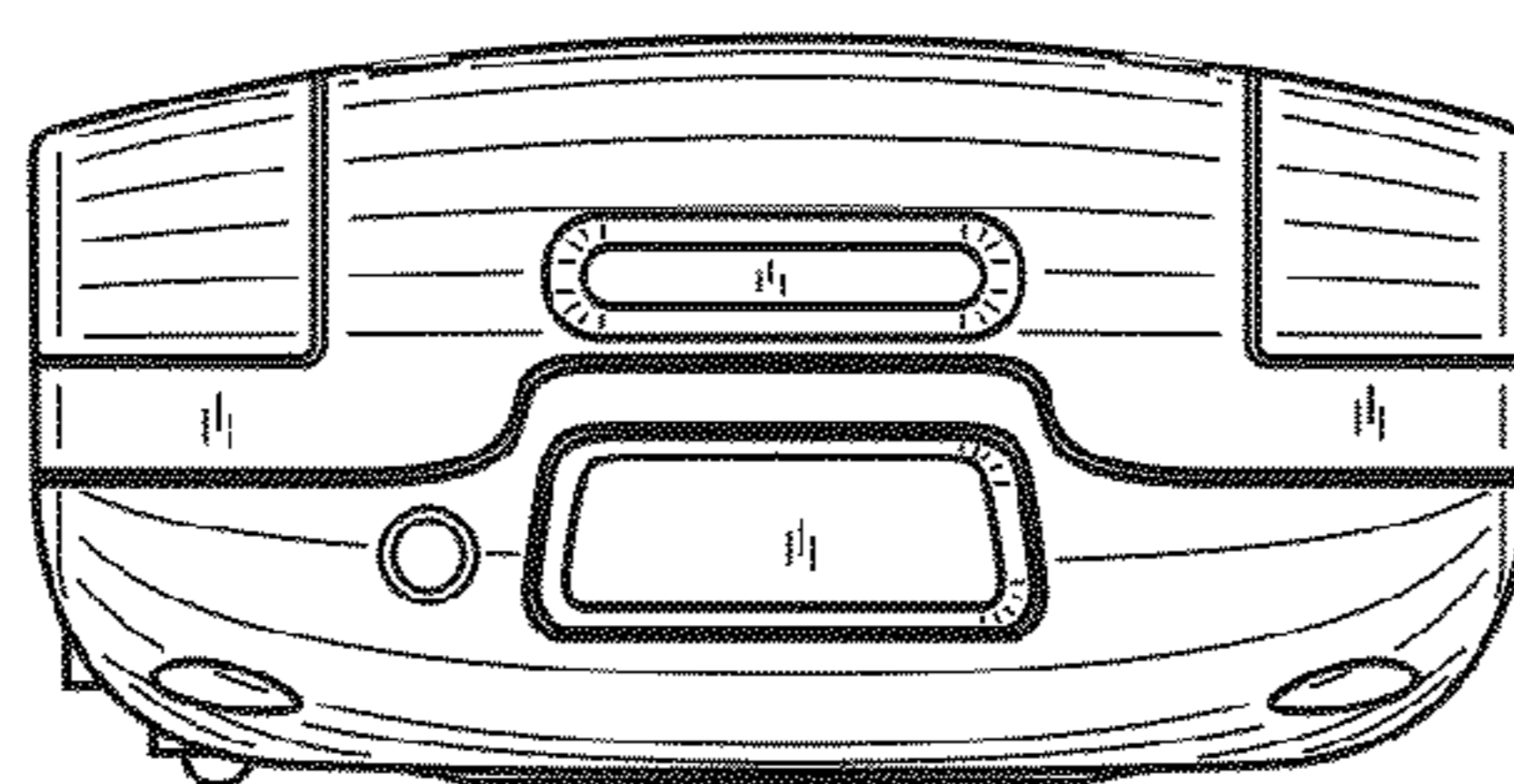


FIG. 8

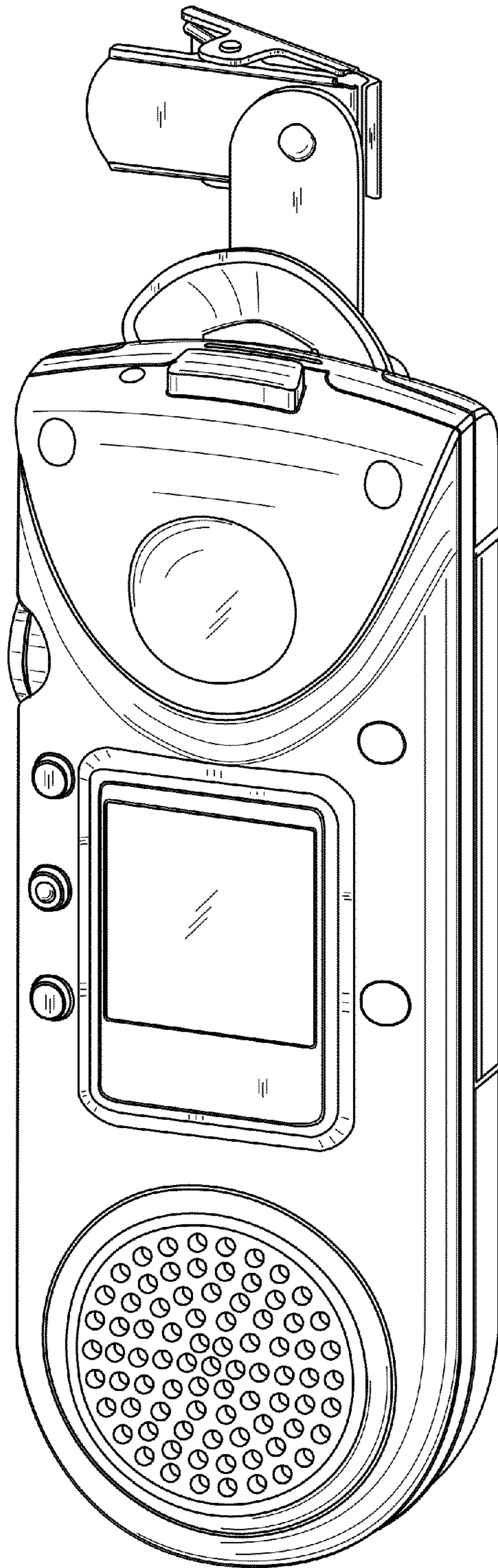


FIG. 9

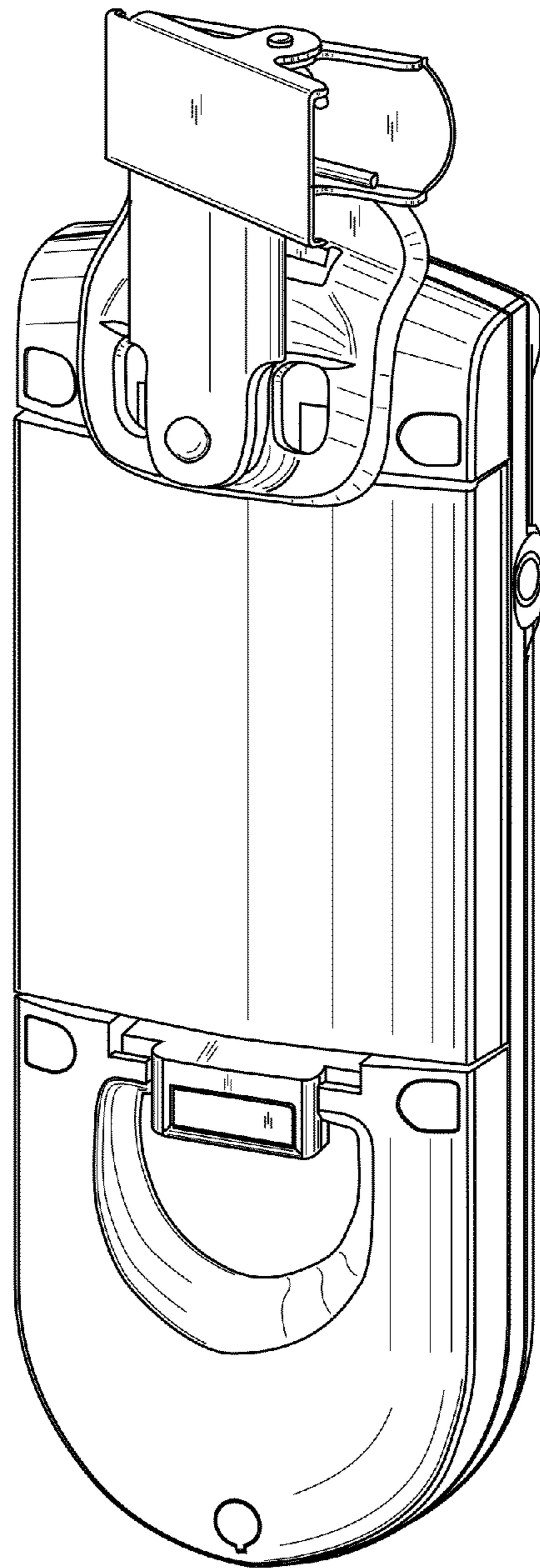


FIG. 10

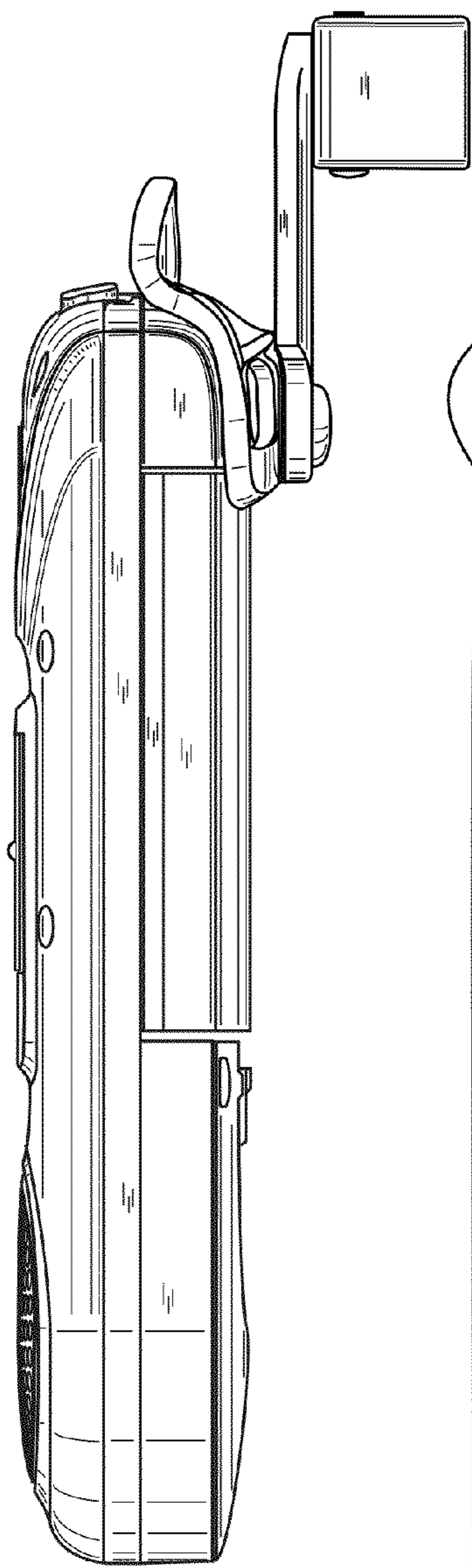


FIG. 11

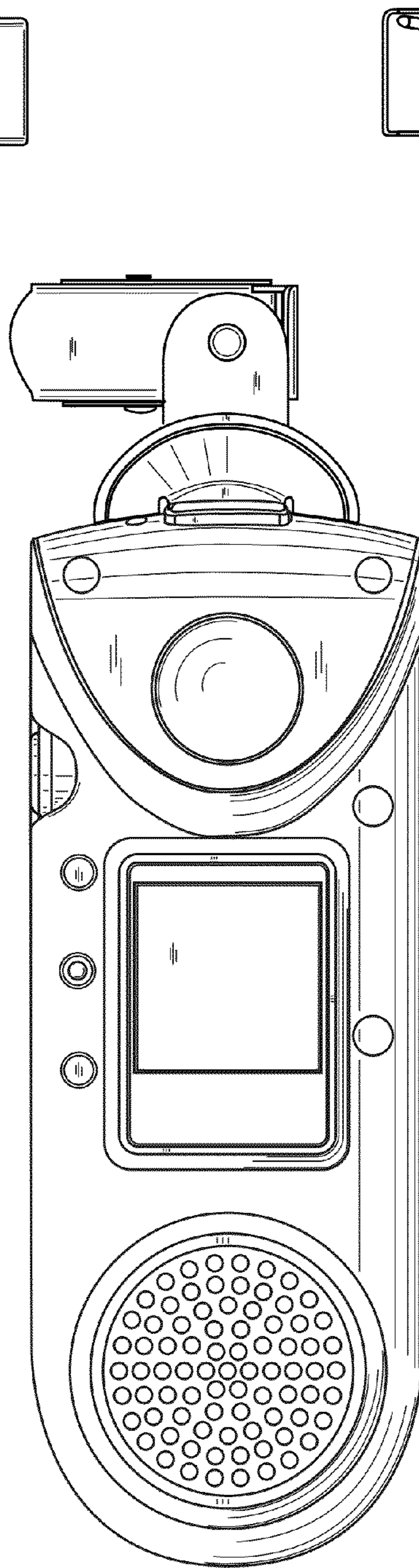


FIG. 12

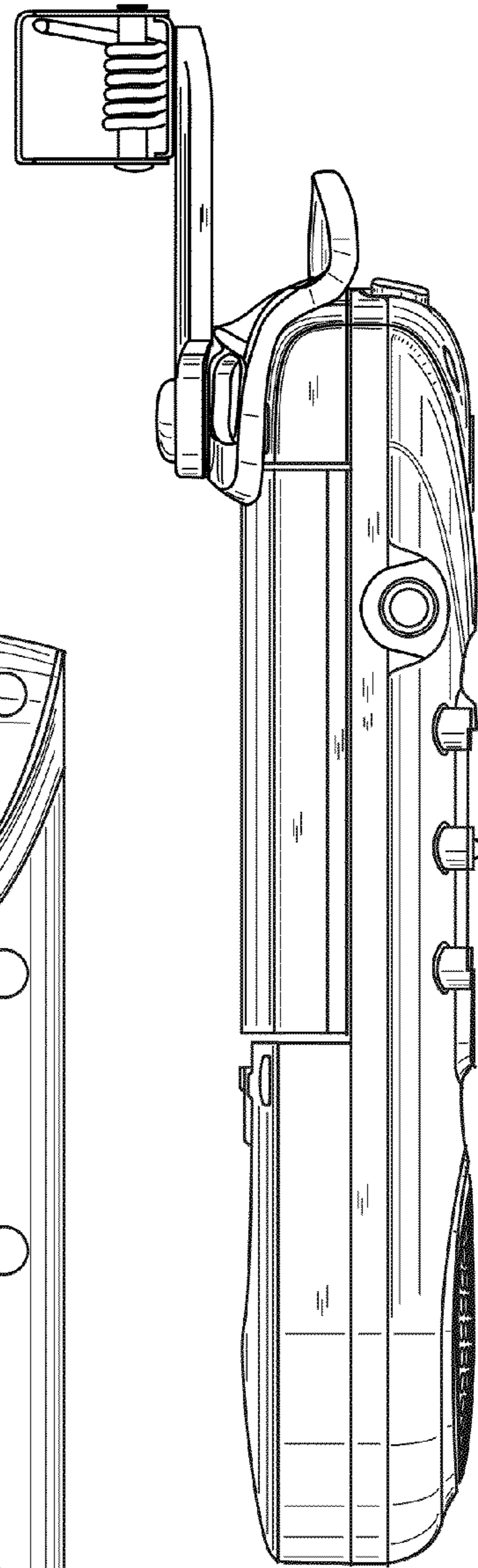


FIG. 13

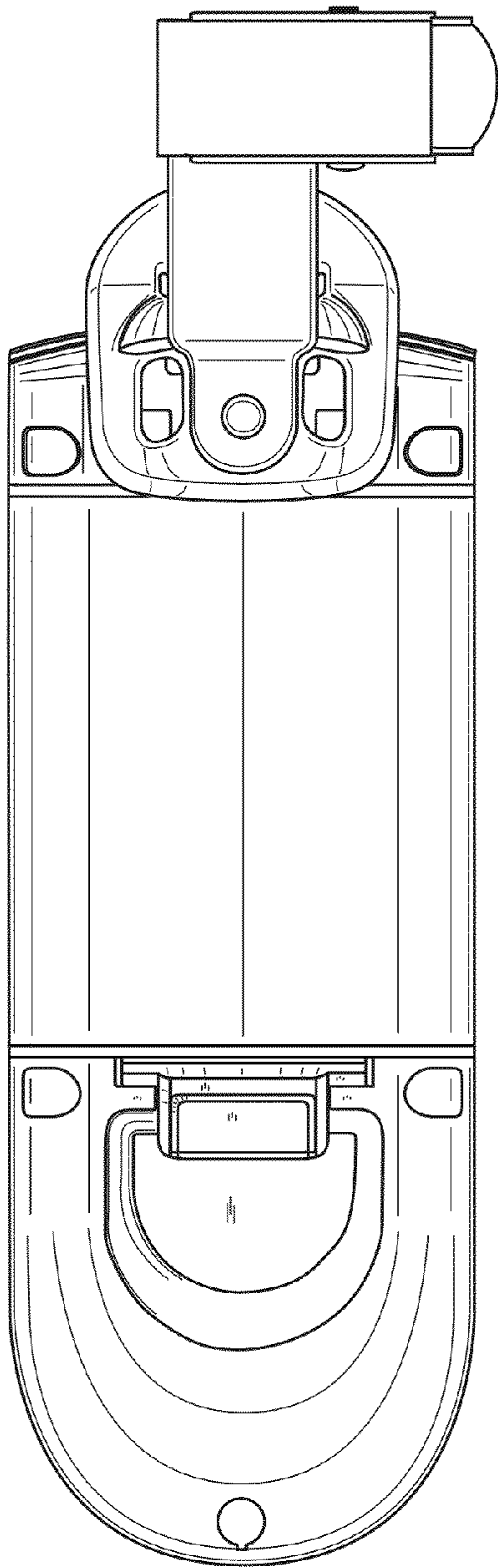


FIG. 14

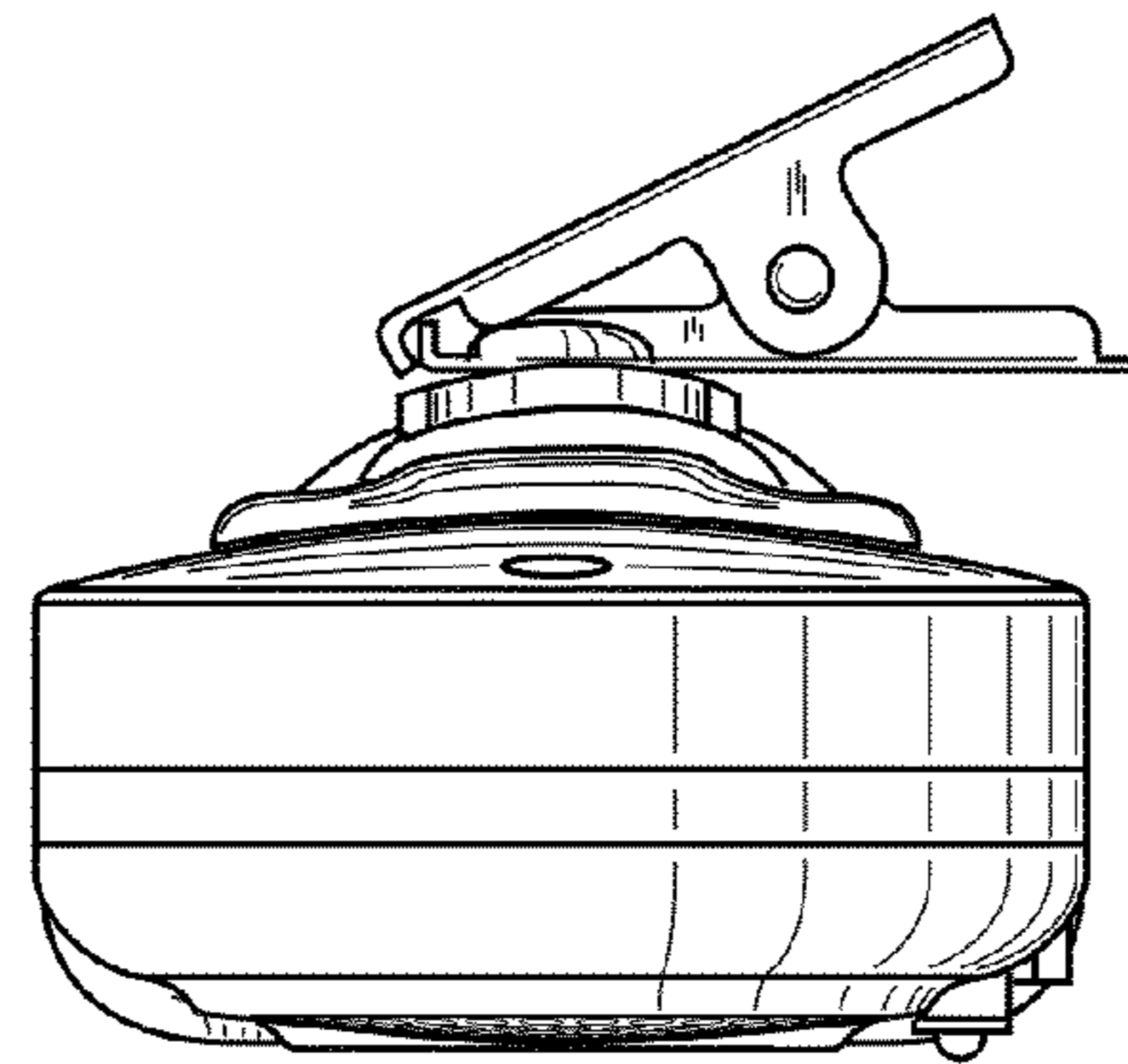


FIG. 15

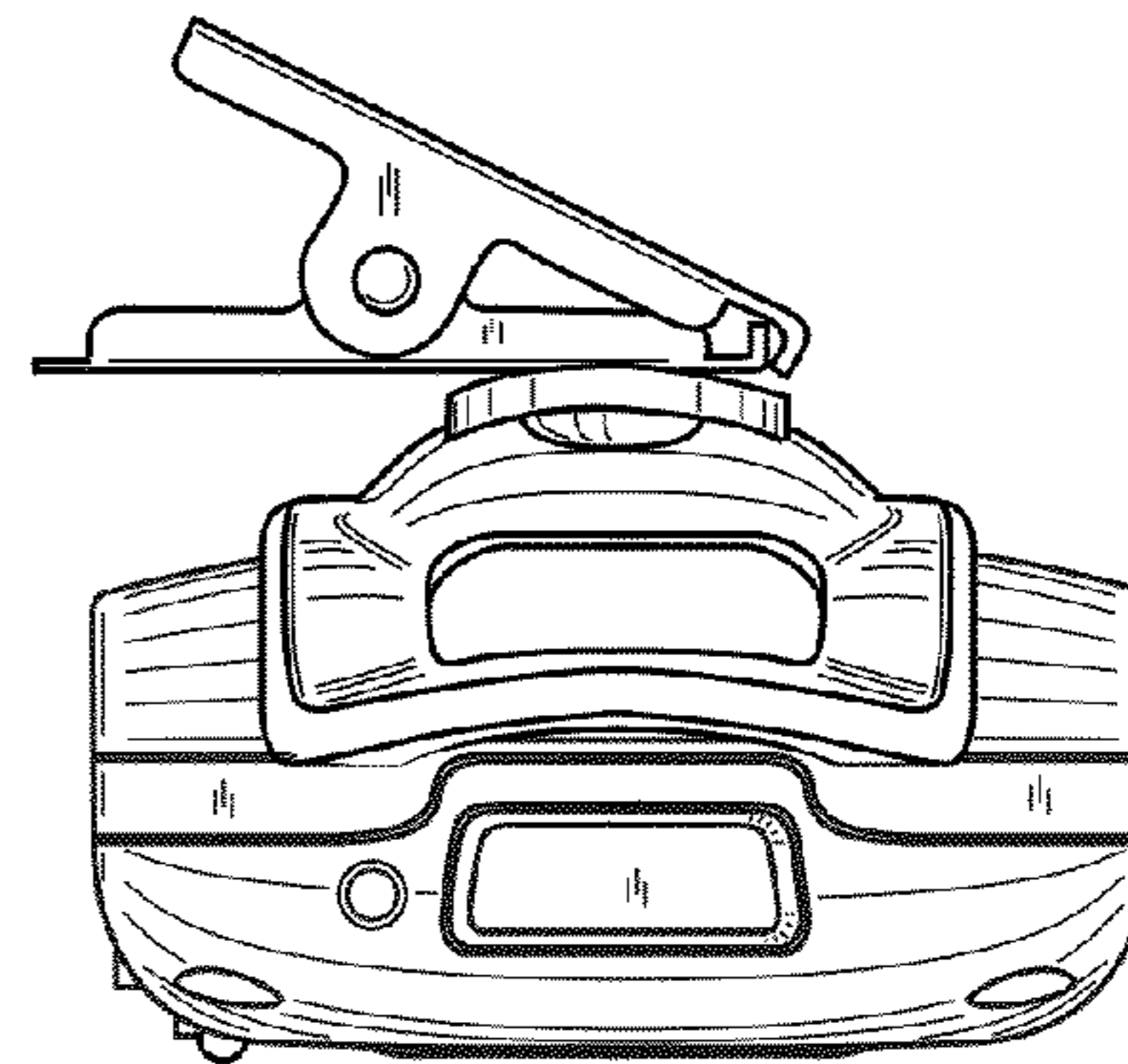


FIG. 16