



US00D679672S

(12) **United States Design Patent**
Fujii et al.

(10) **Patent No.:** **US D679,672 S**
(45) **Date of Patent:** **** Apr. 9, 2013**

- (54) **TELEVISION SET**
- (75) Inventors: **Yoshito Fujii**, Osaka (JP); **Hiroshi Gomi**, Osaka (JP); **Keiichiro Aou**, Osaka (JP)
- (73) Assignee: **Sharp Kabushiki Kaisha**, Osaka (JP)
- (**) Term: **14 Years**
- (21) Appl. No.: **29/390,037**
- (22) Filed: **Apr. 19, 2011**

- D453,748 S 2/2002 Kita
- D456,370 S 4/2002 Kita
- D458,910 S 6/2002 Kita
- D492,269 S 6/2004 Kita
- D496,915 S 10/2004 Kita
- D497,351 S 10/2004 Kita
- D497,599 S 10/2004 Kita
- D499,076 S 11/2004 Kita
- D501,186 S 1/2005 Kita
- D501,654 S 2/2005 Kita
- D502,451 S 3/2005 Kita
- D502,931 S 3/2005 Kita
- D505,123 S 5/2005 Kita
- D510,731 S 10/2005 Kita
- D512,385 S 12/2005 Kita

(Continued)

- (30) **Foreign Application Priority Data**
 - Oct. 19, 2010 (JP) 2010-024967
 - (51) **LOC (9) Cl.** **14-03**
 - (52) **U.S. Cl.**
 - USPC **D14/126**
 - (58) **Field of Classification Search** D14/125-134,
D14/239, 371, 136, 374-377, 440, 450, 448,
D14/336, 342; 312/7.2; 348/836, 838, 180,
348/184, 325, 739; 341/12; 248/917-924,
248/465; 345/104, 133, 156, 168, 87, 173;
720/605, 669, 600, 655; 369/99, 197; 455/344,
455/347; D21/329, 515, 577, 622, 333, 433,
D21/448, 452, 450, 331; D6/477, 479, 300;
273/148 B; 446/484, 175, 356; D10/15,
D10/26
- See application file for complete search history.

- (56) **References Cited**
- U.S. PATENT DOCUMENTS
- D427,169 S 6/2000 Saeki et al.
- D429,227 S 8/2000 Shimizu
- D431,537 S 10/2000 Saeki et al.
- D438,848 S 3/2001 Kita
- D439,224 S 3/2001 Kita
- D439,225 S 3/2001 Kita
- D453,747 S 2/2002 Kita

OTHER PUBLICATIONS

U.S. Appl. No. 29/389,901, filed Apr. 18, 2011(pending).

(Continued)

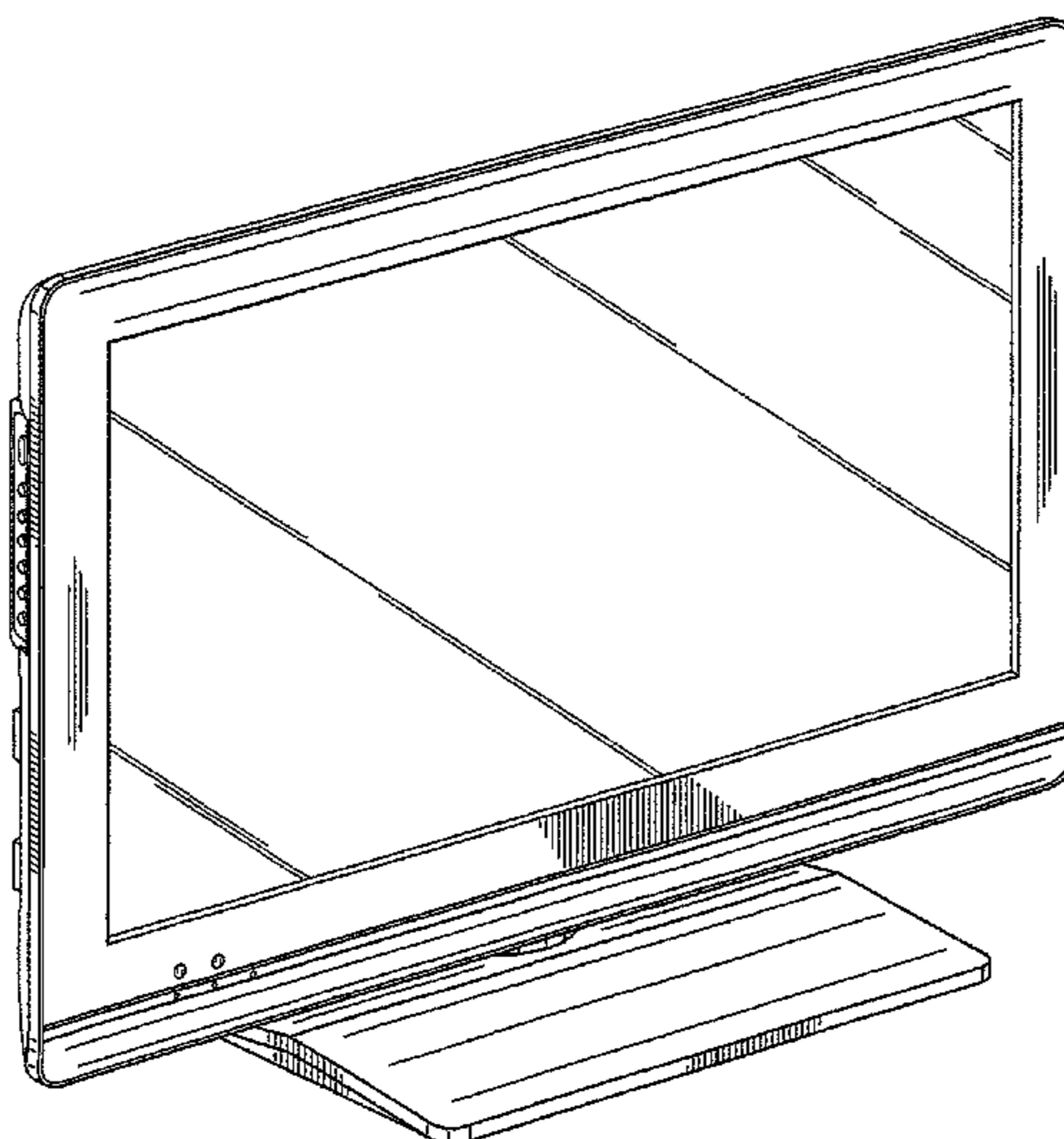
Primary Examiner — Raphael Barkai
Assistant Examiner — Randall Gholson
(74) *Attorney, Agent, or Firm* — Nixon & Vanderhye, P.C.

(57) **CLAIM**
The ornamental design for “television set,” as shown and described.

DESCRIPTION

FIG. 1 is a left, top, front perspective view of television set in accordance with our new design;
FIG. 2 is a front elevation view thereof;
FIG. 3 is a rear elevation view thereof;
FIG. 4 is a top plan view thereof;
FIG. 5 is a bottom plan view thereof;
FIG. 6 is a right side elevation view thereof; and,
FIG. 7 is a left side elevation view thereof.
Subject matter shown in dashed forms no part of the claimed design.

1 Claim, 6 Drawing Sheets



US D679,672 S

Page 2

U.S. PATENT DOCUMENTS

D512,386 S 12/2005 Kita
D512,387 S 12/2005 Kita
D538,242 S 3/2007 Kita
D538,762 S 3/2007 Fujii et al.
D538,763 S 3/2007 Fujii et al.
D539,766 S 4/2007 Kita
D540,281 S 4/2007 Kita
D540,282 S 4/2007 Kita
D540,284 S 4/2007 Kita
D540,285 S 4/2007 Kita
D541,237 S 4/2007 Kita
D541,240 S 4/2007 Kita
D541,766 S 5/2007 Kita
D541,772 S 5/2007 Kita
D541,774 S 5/2007 Kita
D541,775 S 5/2007 Kita
D543,519 S 5/2007 Kita
D544,850 S 6/2007 Kita
D545,282 S 6/2007 Kita
D545,775 S 7/2007 Kita
D545,779 S 7/2007 Kita
D545,780 S 7/2007 Kita
D546,301 S 7/2007 Kita
D546,302 S 7/2007 Kita
D546,303 S 7/2007 Fujii et al.
D551,187 S 9/2007 Kita
D552,050 S 10/2007 Fujii et al.
D552,569 S 10/2007 Kita
D552,571 S 10/2007 Fujii et al.
D554,085 S 10/2007 Kita
D562,275 S 2/2008 Iinuma et al.
D564,989 S 3/2008 Kita
D566,067 S 4/2008 Kita
D567,197 S 4/2008 Kita

D568,264 S 5/2008 Fujii et al.
D568,265 S 5/2008 Fujii et al.
D568,266 S 5/2008 Shimamoto
D568,844 S 5/2008 Fujii et al.
D570,311 S 6/2008 Kita
D570,312 S 6/2008 Kita
D571,320 S 6/2008 Kita
D575,248 S 8/2008 Fujii et al.
D584,255 S 1/2009 Kita
D584,256 S 1/2009 Kita
D584,257 S 1/2009 Kita
D584,702 S 1/2009 Iinuma et al.
D584,705 S 1/2009 Shimamoto
D585,396 S 1/2009 Kita
D586,769 S 2/2009 Kita
D587,665 S * 3/2009 Isshiki D14/126
D599,759 S * 9/2009 Chino D14/126
D611,438 S * 3/2010 Kubota D14/126
D637,168 S 5/2011 Kodera et al.
D638,388 S * 5/2011 Fujii et al. D14/126
D649,947 S * 12/2011 Won et al. D14/126
D656,472 S * 3/2012 Iida et al. D14/126
D657,790 S * 4/2012 Lee et al. D14/374
D658,176 S * 4/2012 Lee et al. D14/374
D662,094 S * 6/2012 Mack et al. D14/388

OTHER PUBLICATIONS

U.S. Appl. No. 29/392,661, filed May 25, 2011(pending).
U.S. Appl. No. 29/392,662, filed May 25, 2011(pending).
U.S. Appl. No. 29/392,663, filed May 25, 2011(pending).
U.S. Appl. No. 29/389,892, filed Apr. 18, 2011(pending).
U.S. Appl. No. 29/389,893, filed Apr. 18, 2011(pending).
U.S. Appl. No. 29/389,896, filed Apr. 18, 2011(pending).

* cited by examiner

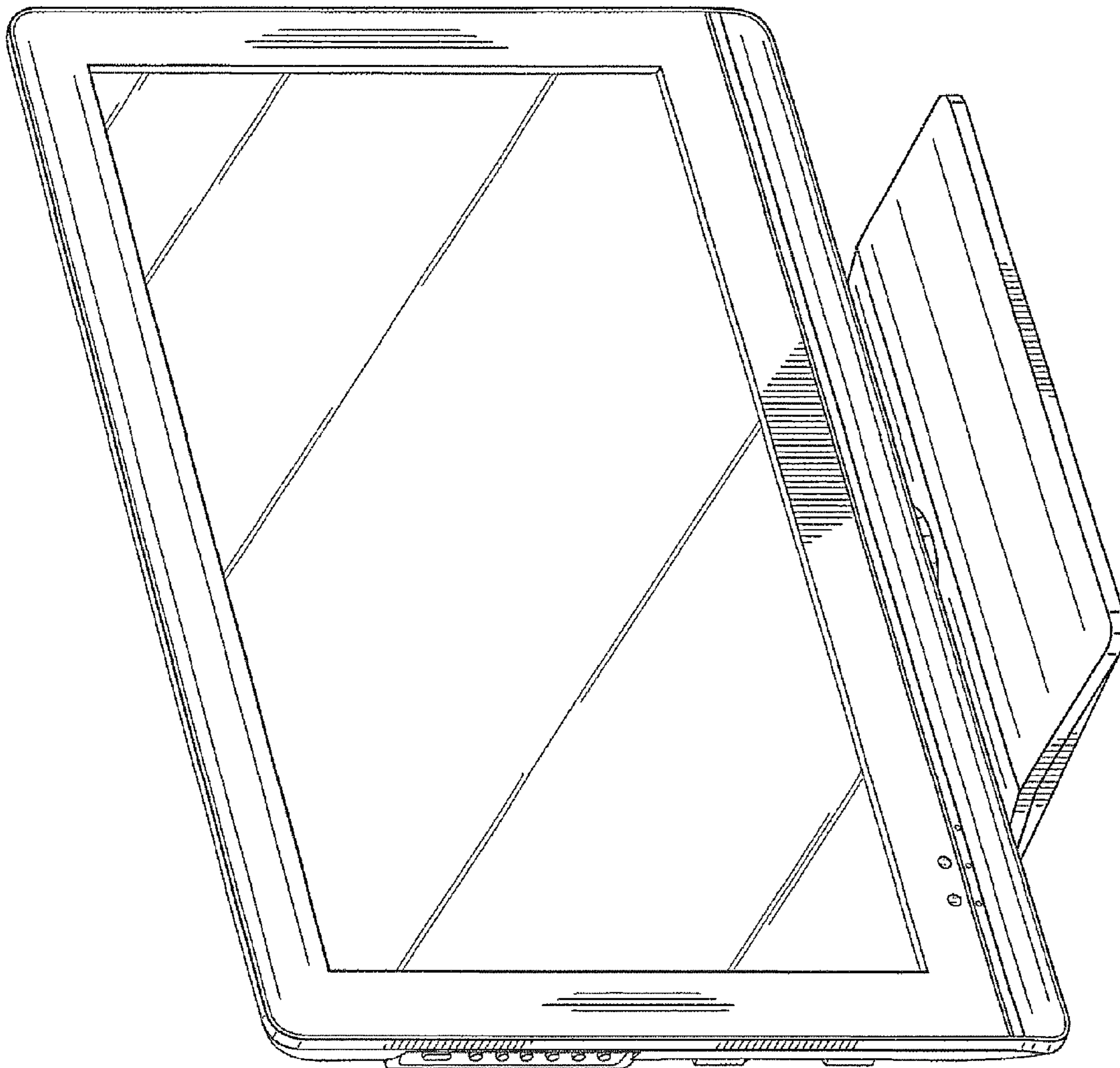


FIG. 1

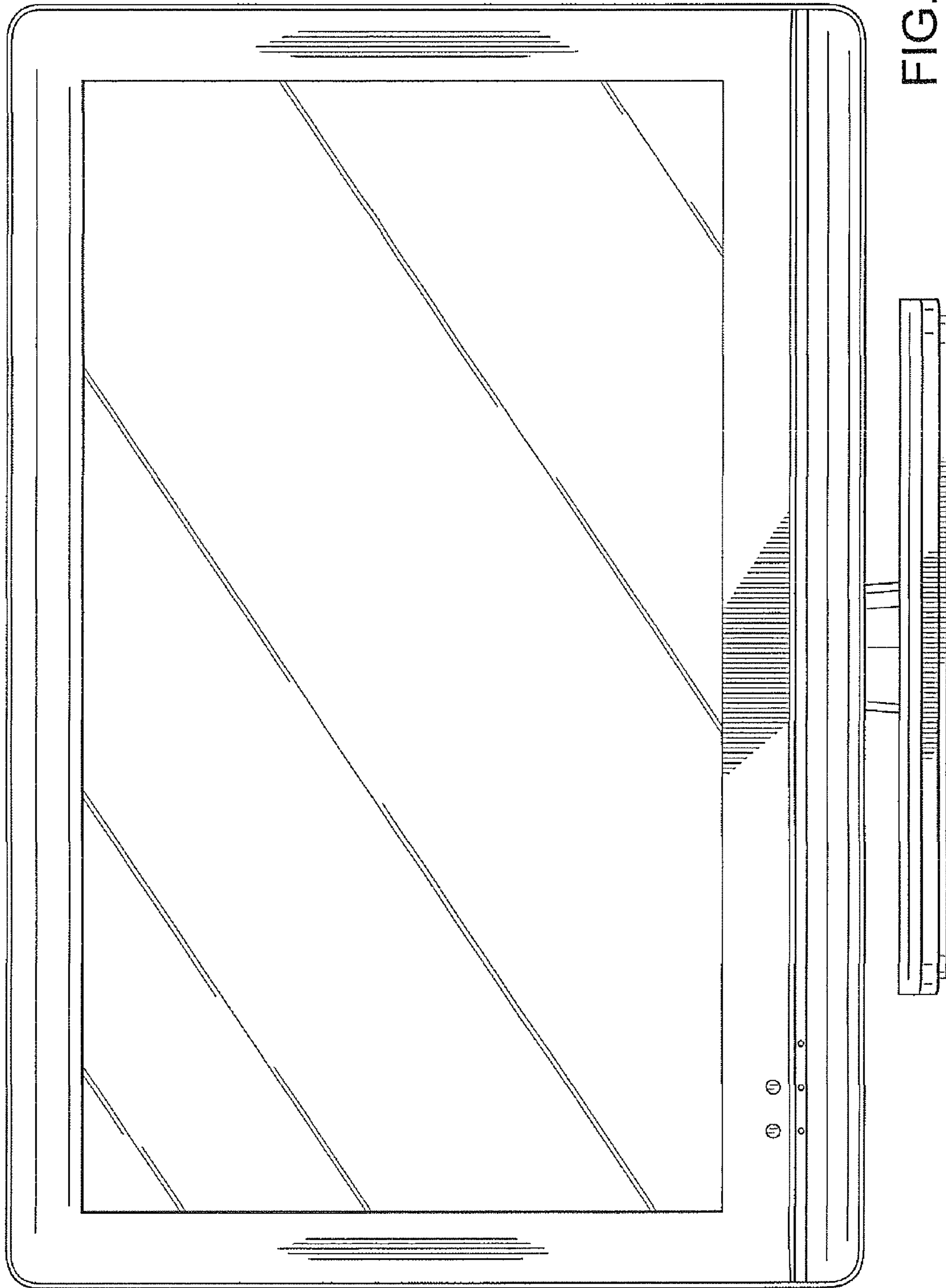


FIG. 2

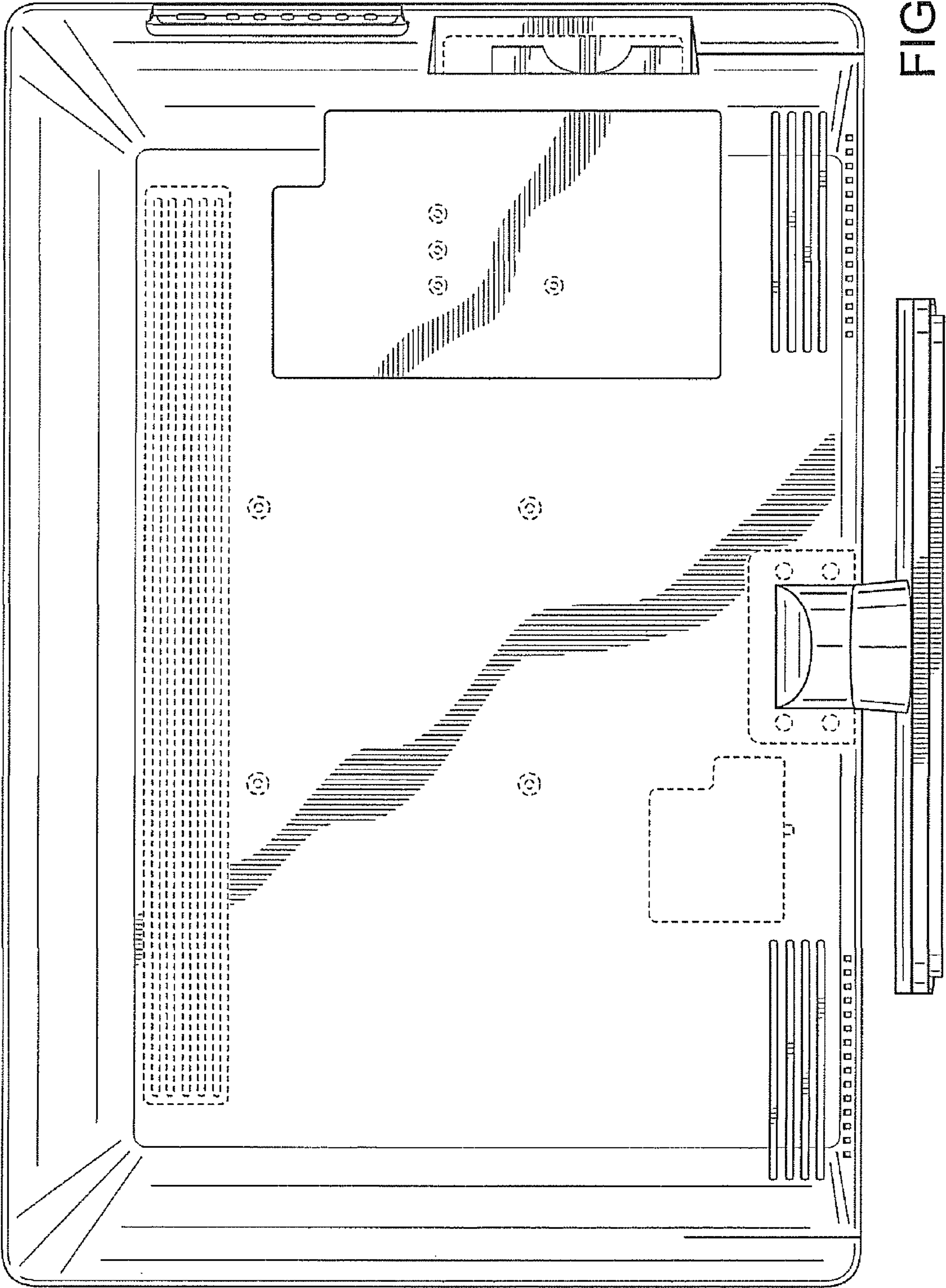


FIG. 3

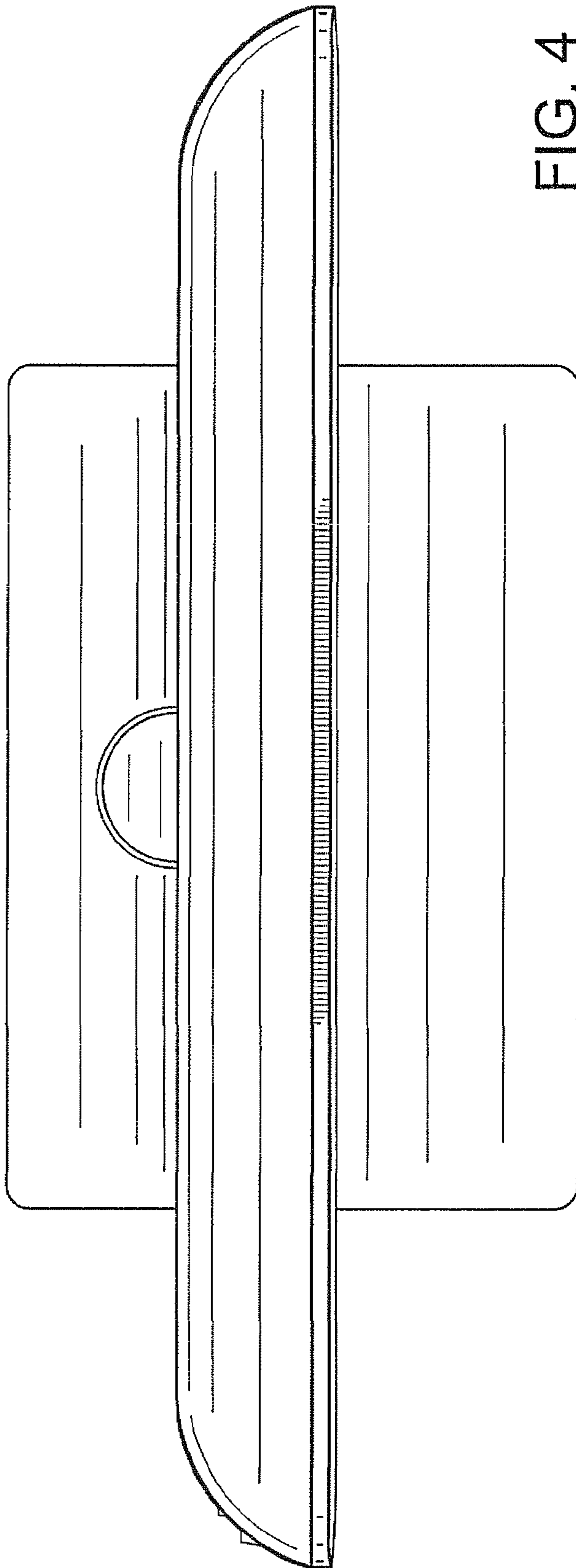


FIG. 4

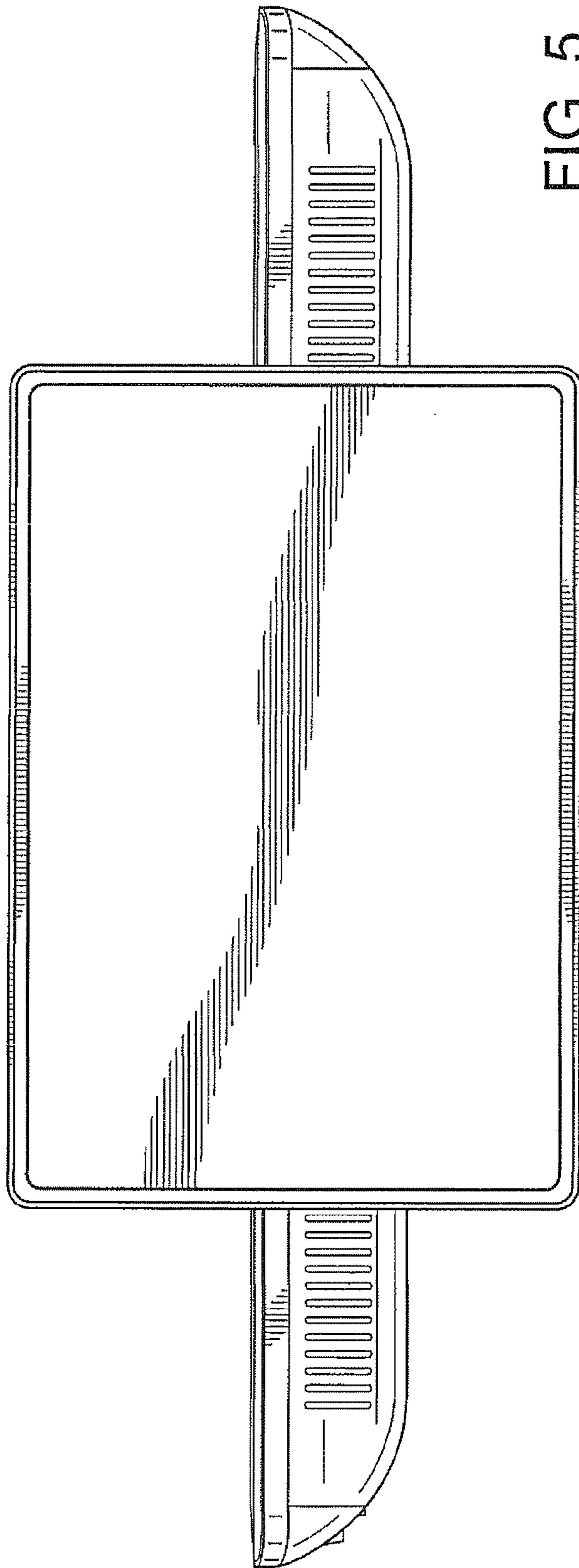


FIG. 5

FIG. 7

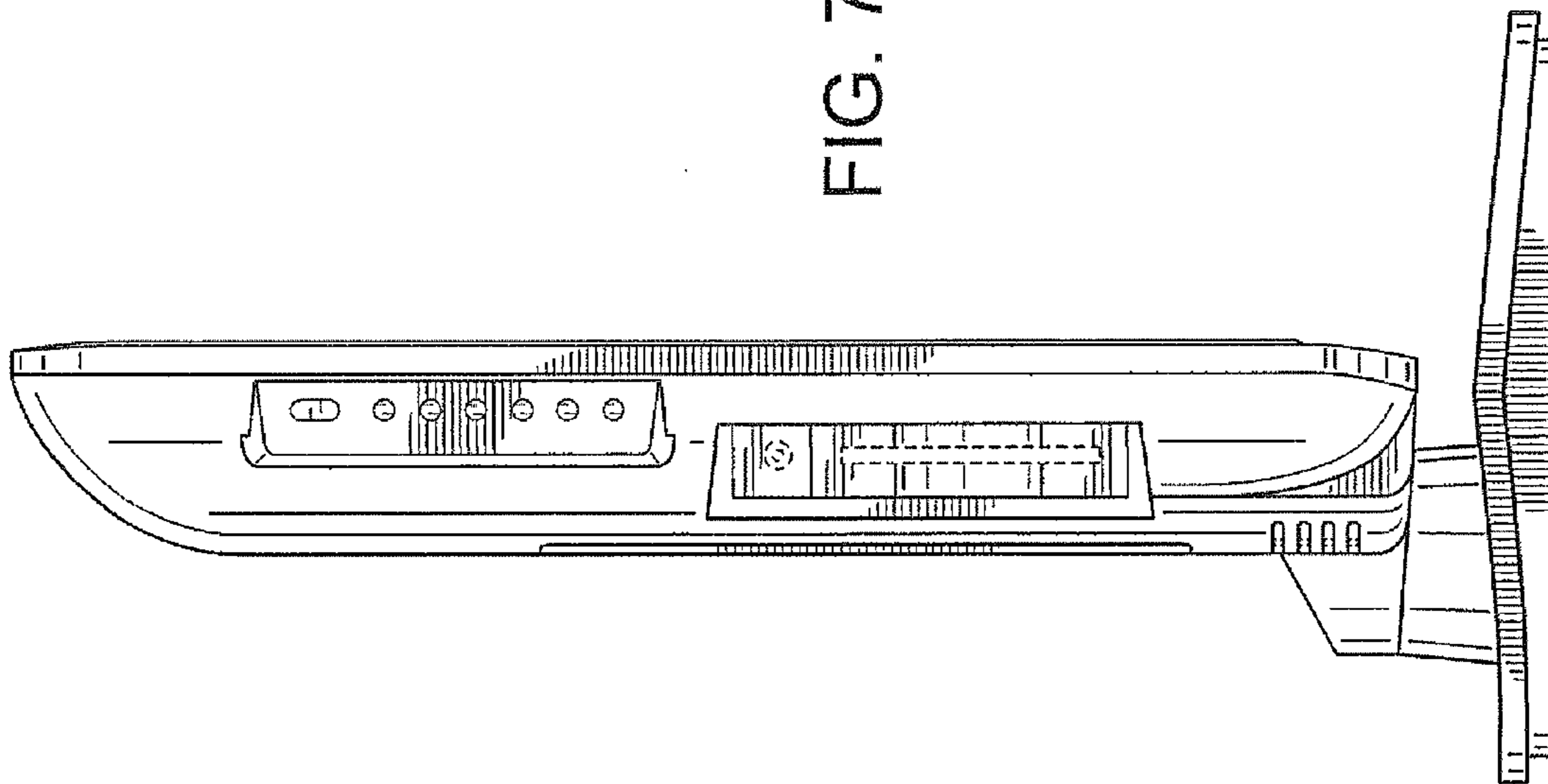


FIG. 6

