



US00D679670S

(12) **United States Design Patent**  
**Takami et al.**

(10) **Patent No.:** **US D679,670 S**  
(45) **Date of Patent:** **\*\* Apr. 9, 2013**

- (54) **TELEVISION APPARATUS**
- (75) Inventors: **Mitsuru Takami**, Osaka (JP); **Hirotohi Hada**, Osaka (JP)
- (73) Assignee: **Panasonic Corporation**, Osaka (JP)
- (\*\*) Term: **14 Years**
- (21) Appl. No.: **29/384,796**
- (22) Filed: **Feb. 3, 2011**
- (51) **LOC (9) Cl.** ..... **14-03**
- (52) **U.S. Cl.**  
USPC ..... **D14/126**
- (58) **Field of Classification Search** ..... D14/125–134,  
D14/239, 371, 136, 374–377, 440, 450, 448,  
D14/336, 342; 312/7.2; 348/836, 838, 180,  
348/184, 325, 739; 341/12; 248/917–924,  
248/465; 345/104, 133, 156, 168, 87, 173;  
720/605, 669, 600, 655; 369/99, 197; 455/344–347;  
D21/329, 515, 577, 622, 333, 433, 448, 452,  
D21/450, 331; D6/477, 479, 300; 273/148 B;  
446/484, 175, 356; D10/15, 26  
See application file for complete search history.

JP	D1354029	3/2009
JP	D1356488	4/2009
JP	D1360762	6/2009
JP	D1360763	6/2009
JP	D1361174	6/2009
JP	D1362579	6/2009
JP	D1364315	7/2009
JP	D1366304	8/2009
JP	D1366799	8/2009
JP	D1367992	8/2009
JP	D1368008	8/2009
JP	D1368019	8/2009
JP	D1368022	8/2009
JP	D1369743	9/2009
JP	D1369744	9/2009
JP	D1370594	10/2009

(Continued)

*Primary Examiner* — Rapahel Barkai  
*Assistant Examiner* — Randall Gholson  
(74) *Attorney, Agent, or Firm* — Brinks Hofer Gilson & Lione

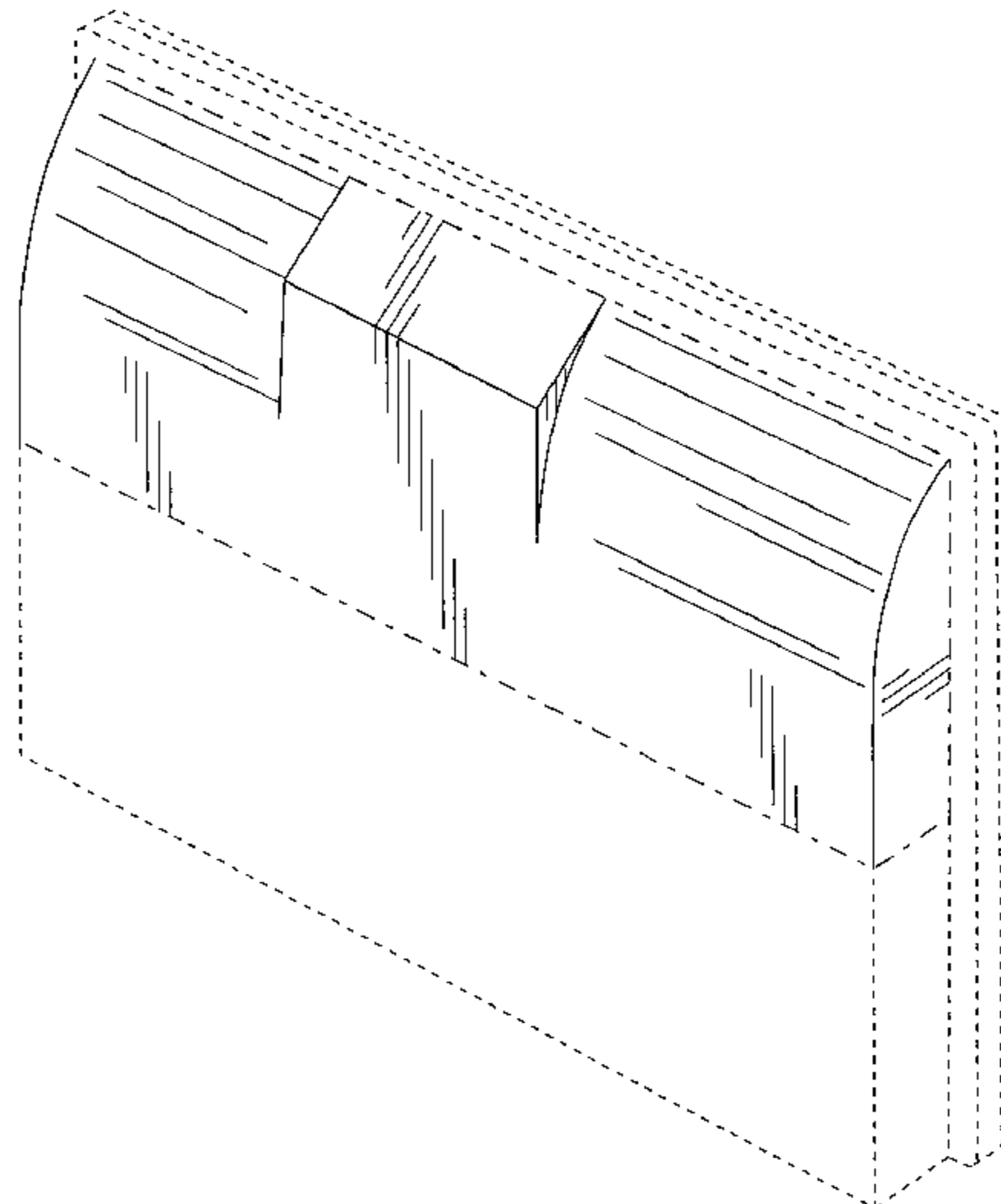
(57) **CLAIM**  
We claim the ornamental design for a television apparatus, as shown and described.

**DESCRIPTION**

FIG. 1 is a rear perspective view of a television apparatus of the present invention;  
FIG. 2 is a front view thereof;  
FIG. 3 is a rear view thereof;  
FIG. 4 is a first side view thereof;  
FIG. 5 is a second side view thereof;  
FIG. 6 is a top view thereof; and,  
FIG. 7 is a bottom view thereof.  
The broken line showing of television apparatus is included for the purpose of illustrating environment and forms no part of the claimed design. Additionally, the unevenly broken lines in the drawings define the limits of the claimed design.

- (56) **References Cited**
- U.S. PATENT DOCUMENTS
- D508,470 S \* 8/2005 Inoue et al. .... D14/126
- D551,194 S \* 9/2007 Kim et al. .... D14/128
- D566,072 S \* 4/2008 Yamaguchi .... D14/126
- D591,250 S \* 4/2009 Yoshimura .... D14/126
- D606,954 S \* 12/2009 Yamaguchi .... D14/128
- D608,312 S \* 1/2010 Lim et al. .... D14/126
- D611,438 S \* 3/2010 Kubota .... D14/126
- D623,155 S \* 9/2010 Kim et al. .... D14/126
- FOREIGN PATENT DOCUMENTS
- JP D1354016 3/2009
- JP D1354025 3/2009

**1 Claim, 5 Drawing Sheets**



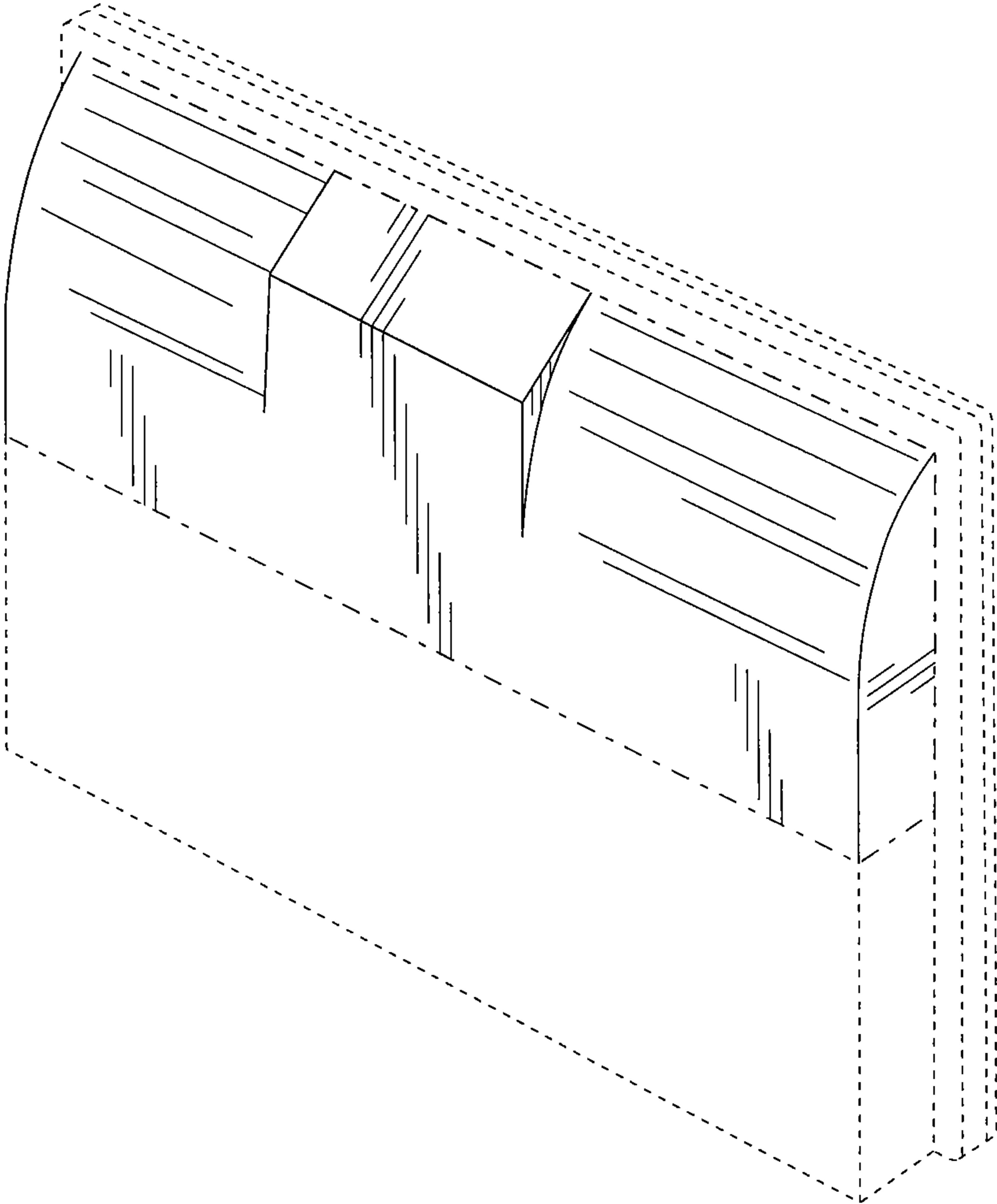
# US D679,670 S

Page 2

---

FOREIGN PATENT DOCUMENTS			JP	D1388107	5/2010
JP	D1376993	12/2009			
JP	D1388101	5/2010			
				* cited by examiner	

FIG.1



**FIG.2**

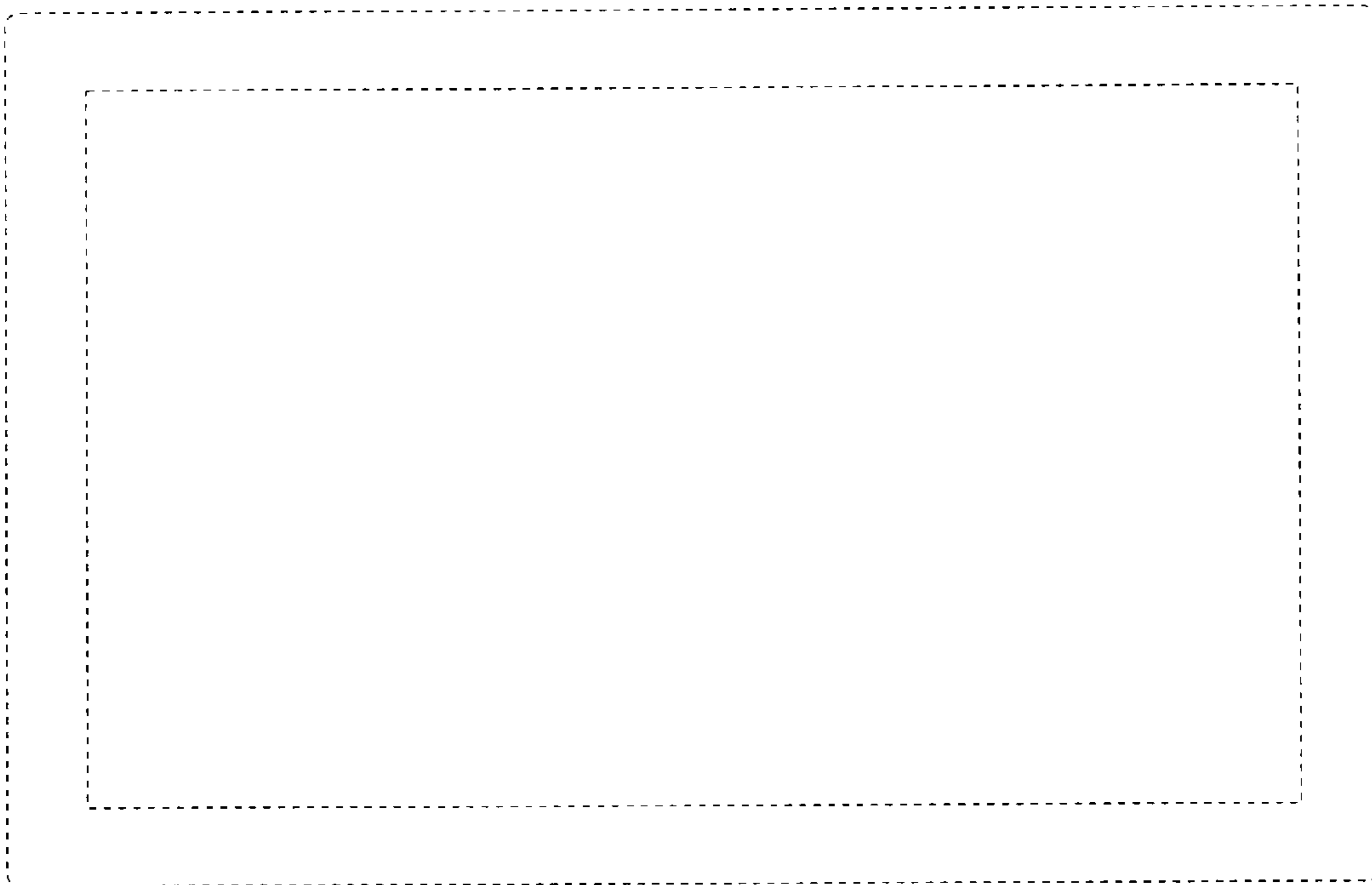


FIG.3

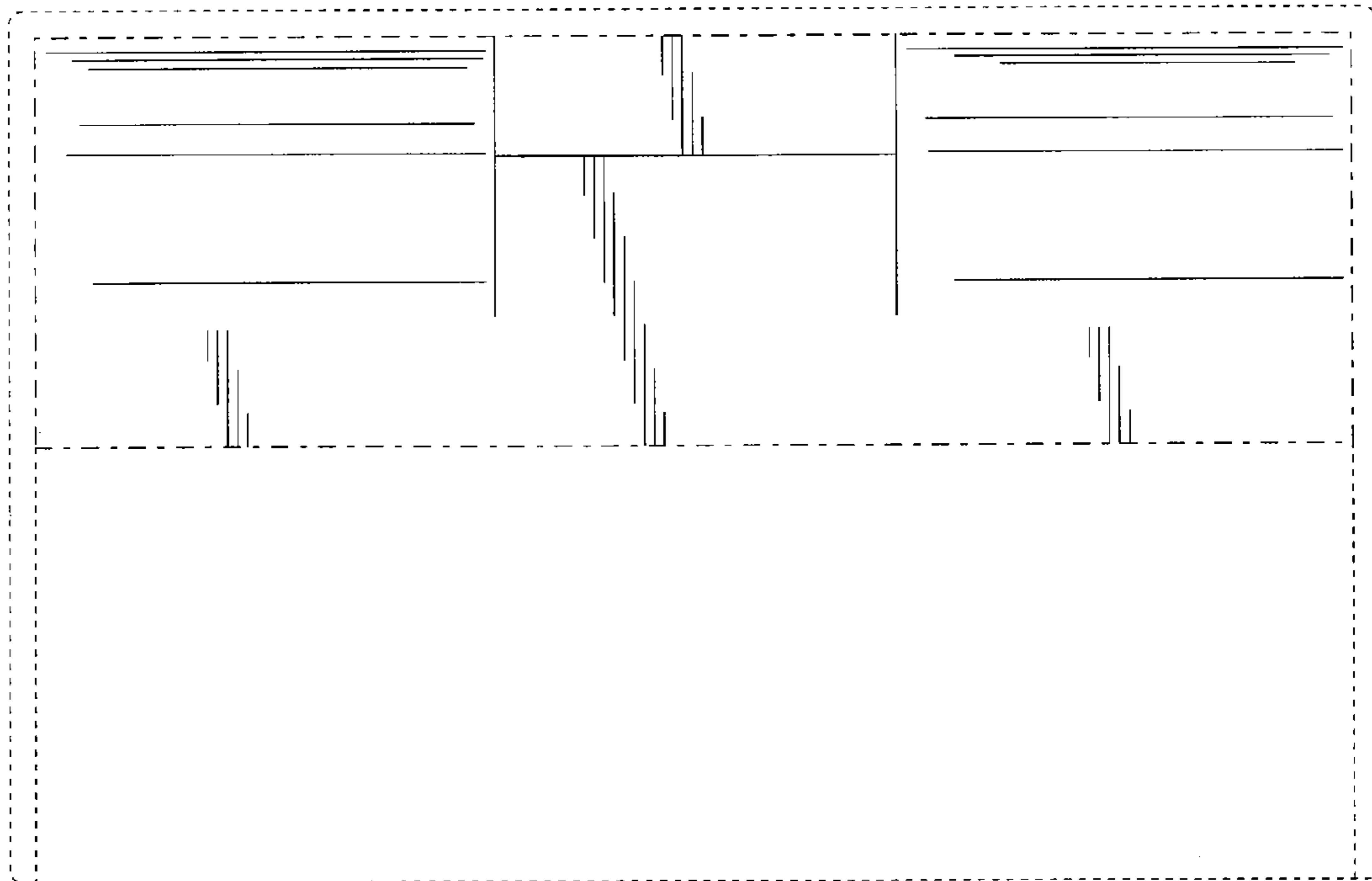


FIG.4

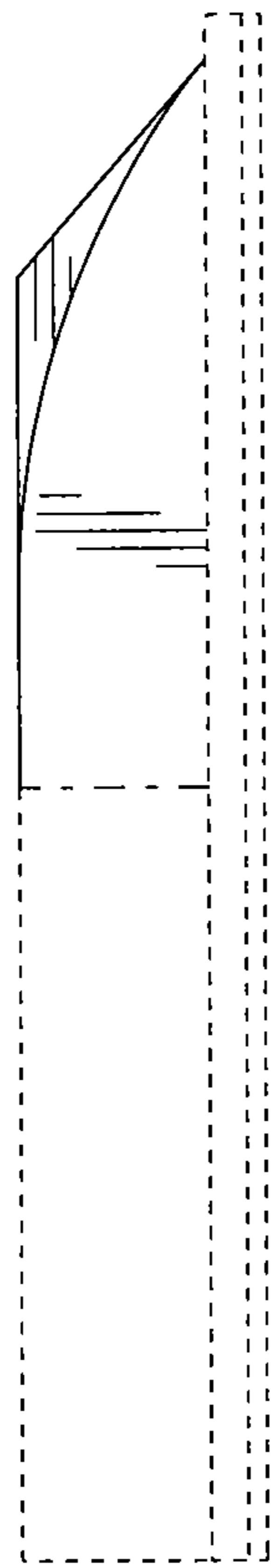


FIG.5

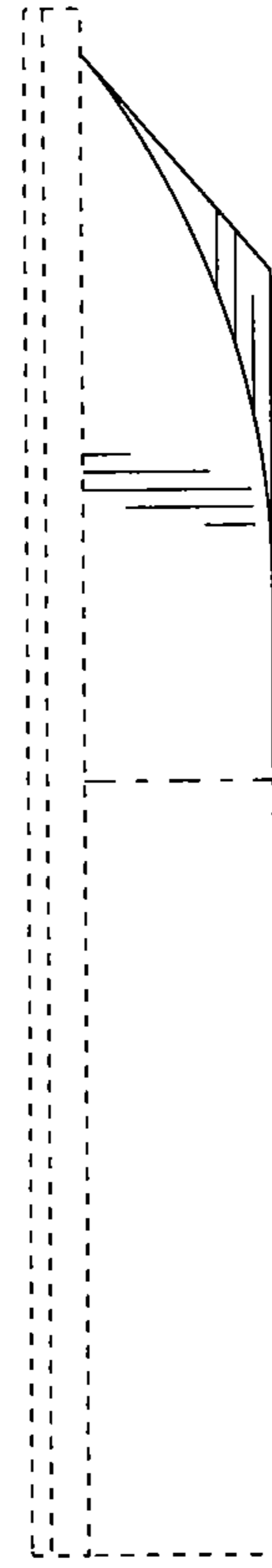


FIG.6

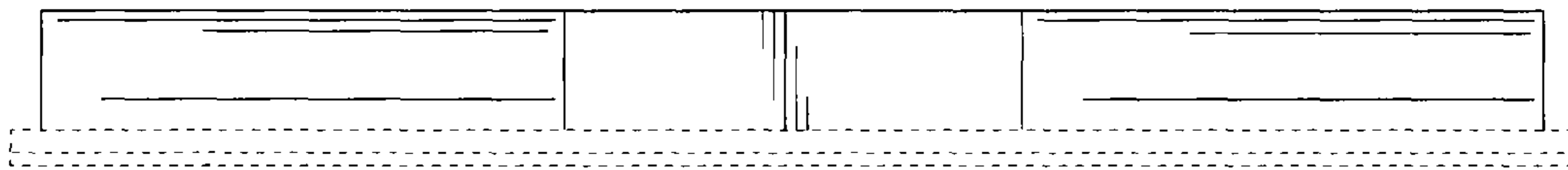


FIG.7

