



US00D679665S

(12) **United States Design Patent**
Saari

(10) **Patent No.:** **US D679,665 S**
(45) **Date of Patent:** **** Apr. 9, 2013**

(54) **CONTROL PANEL**

(75) Inventor: **Paavo Saari**, Mustasaari (FI)

(73) Assignee: **ABB Technology AG**, Zürich (CH)

(**) Term: **14 Years**

(21) Appl. No.: **29/384,788**

(22) Filed: **Feb. 3, 2011**

Related U.S. Application Data

(62) Division of application No. 29/343,328, filed on Sep. 10, 2009, now Pat. No. Des. 639,753.

(30) **Foreign Application Priority Data**

Apr. 14, 2009 (EM) 001131080-0001
Apr. 14, 2009 (EM) 001131080-0002
Apr. 14, 2009 (EM) 001131080-0003
Apr. 14, 2009 (EM) 001131080-0004
Apr. 14, 2009 (EM) 001131080-0005

(51) **LOC (9) Cl.** **13-03**

(52) **U.S. Cl.** **D13/177**

(58) **Field of Classification Search** D13/162,
D13/164, 171, 177; 200/5 A, 5 R; 307/11;
361/622, 627; 700/17, 22, 292
See application file for complete search history.

(56) **References Cited**

U.S. PATENT DOCUMENTS

D275,851 S * 10/1984 Bambeck D13/164
4,928,205 A * 5/1990 Duback et al. 361/627

D334,542 S * 4/1993 Lowe et al. D10/104
D381,633 S * 7/1997 Hiyakumoto et al. D13/162
6,366,301 B1 * 4/2002 Thomas et al. 715/771
6,442,452 B1 * 8/2002 Kopke 700/292
D512,691 S * 12/2005 Hisatsune D13/164
D537,417 S * 2/2007 Dukerschein et al. D13/164
D556,698 S * 12/2007 Walser D13/164
D575,239 S * 8/2008 Shah D13/162
D607,843 S * 1/2010 Borax D13/162
D608,302 S * 1/2010 Liu D13/164
D639,753 S * 6/2011 Saari D13/177
2006/0161270 A1 * 7/2006 Luskin et al. 700/22
2007/0293954 A1 * 12/2007 Pfungsten et al. 700/22

* cited by examiner

Primary Examiner — Selina Sikder

(74) *Attorney, Agent, or Firm* — Buchanan Ingersoll & Rooney PC

(57) **CLAIM**

The ornamental design for a control panel, as shown and described.

DESCRIPTION

FIG. 1 is a front elevational view of a control panel showing a first embodiment of my new design.

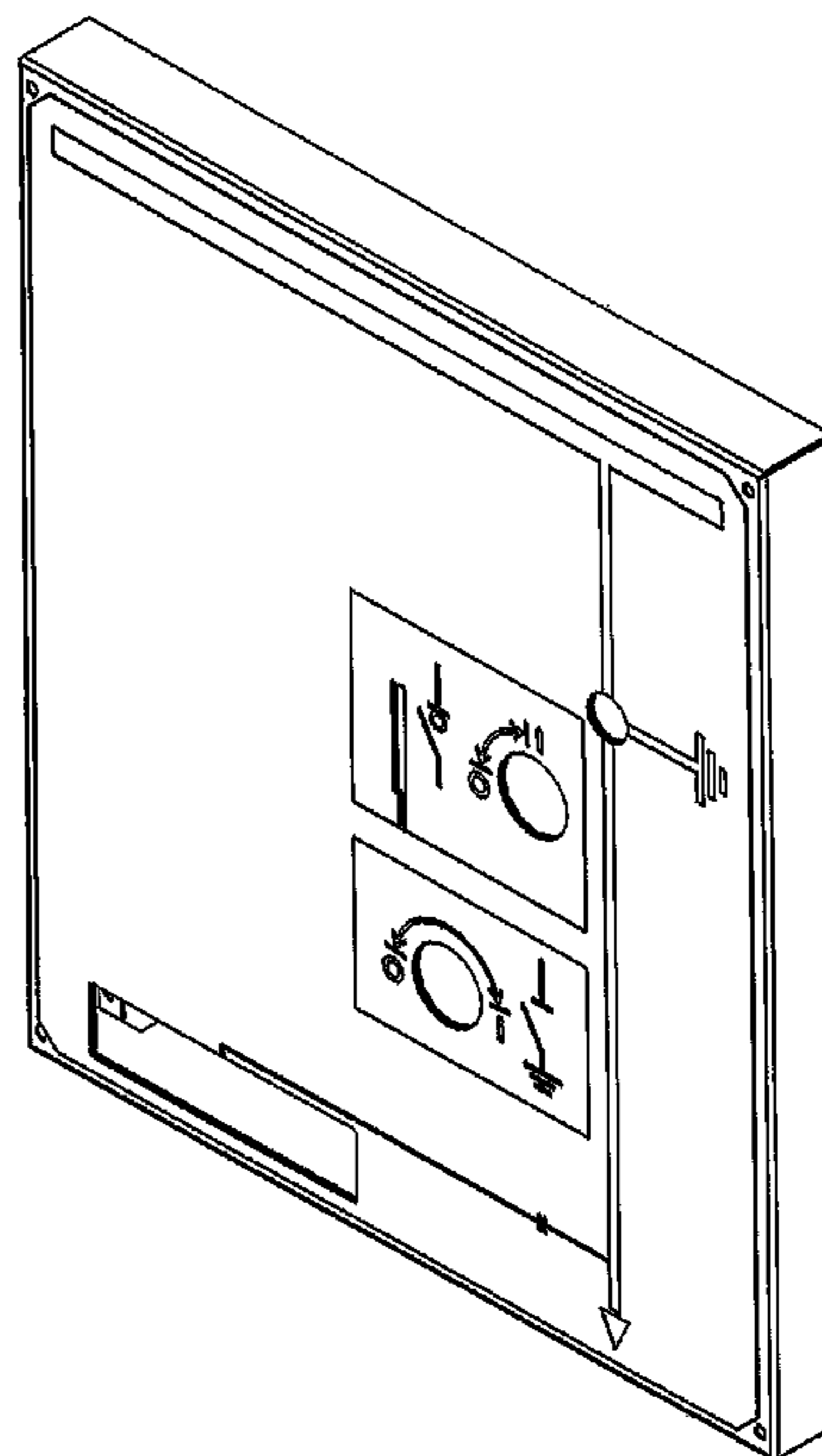
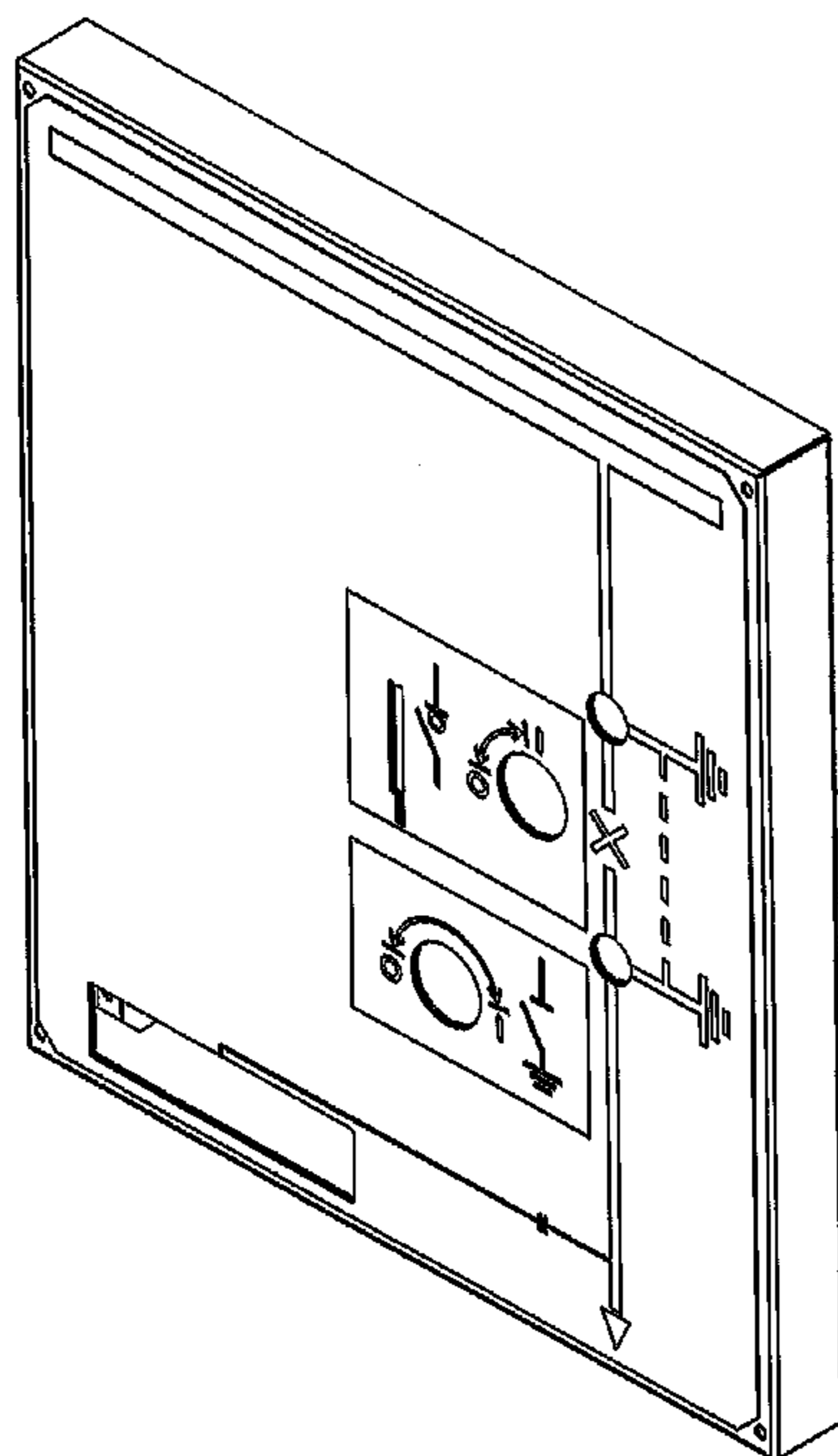
FIG. 2 is a perspective view thereof.

FIG. 3 is a front elevational view of a control panel showing a second embodiment thereof; and,

FIG. 4 is a perspective view thereof.

The undisclosed rear and side surfaces of the control panel are substantially planar and non-ornamental.

1 Claim, 4 Drawing Sheets



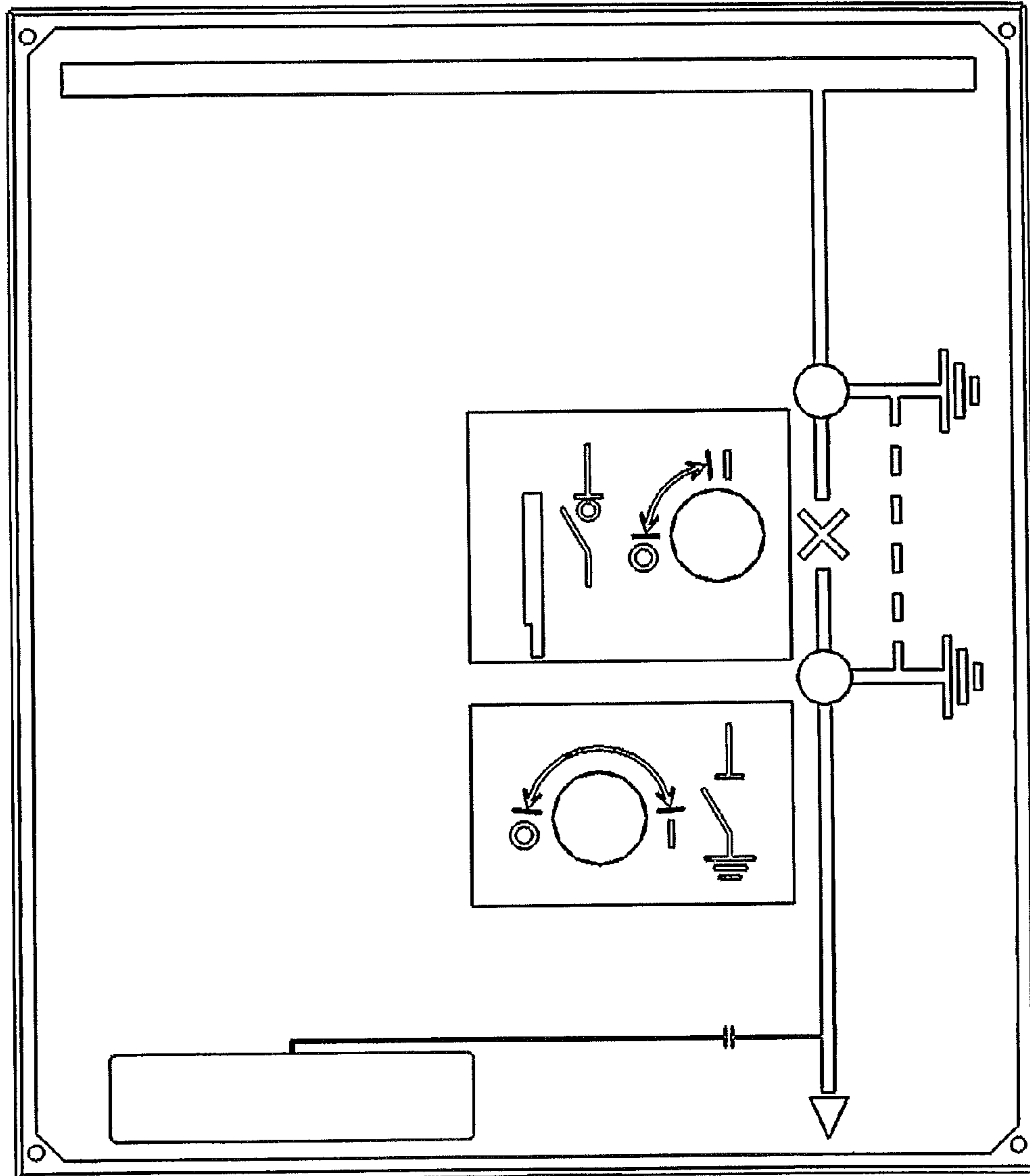


FIG. 1

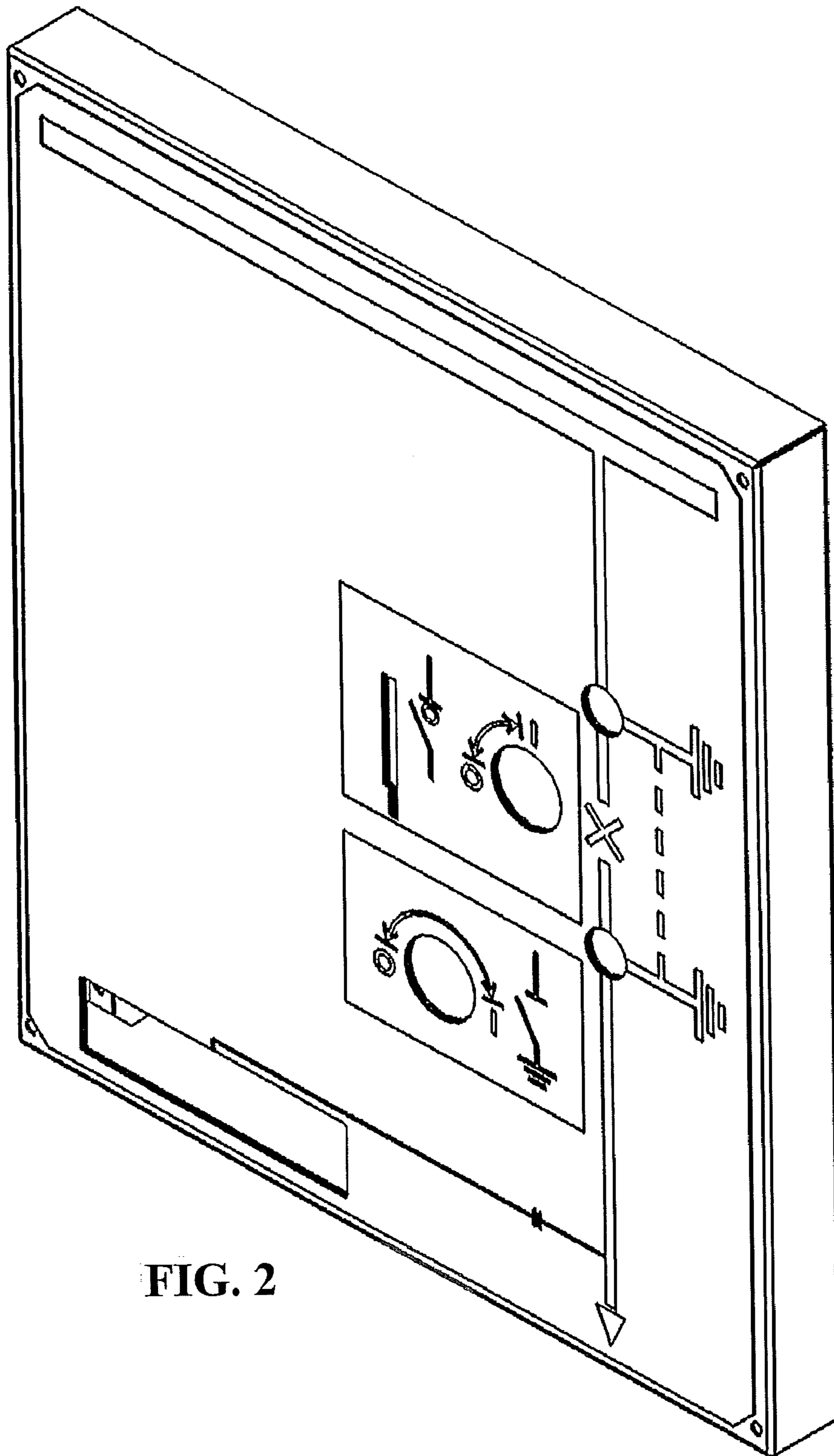


FIG. 2

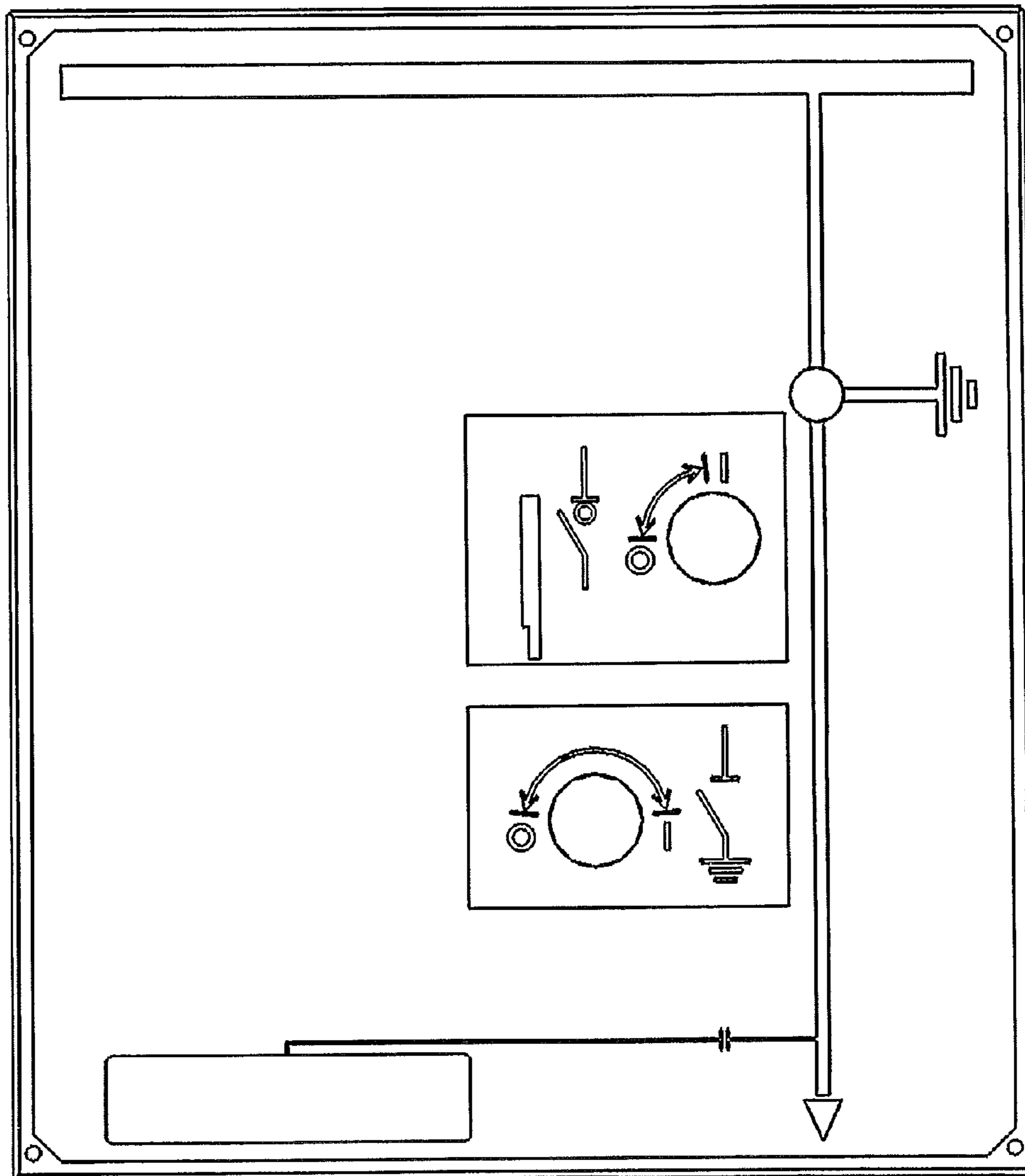


FIG. 3

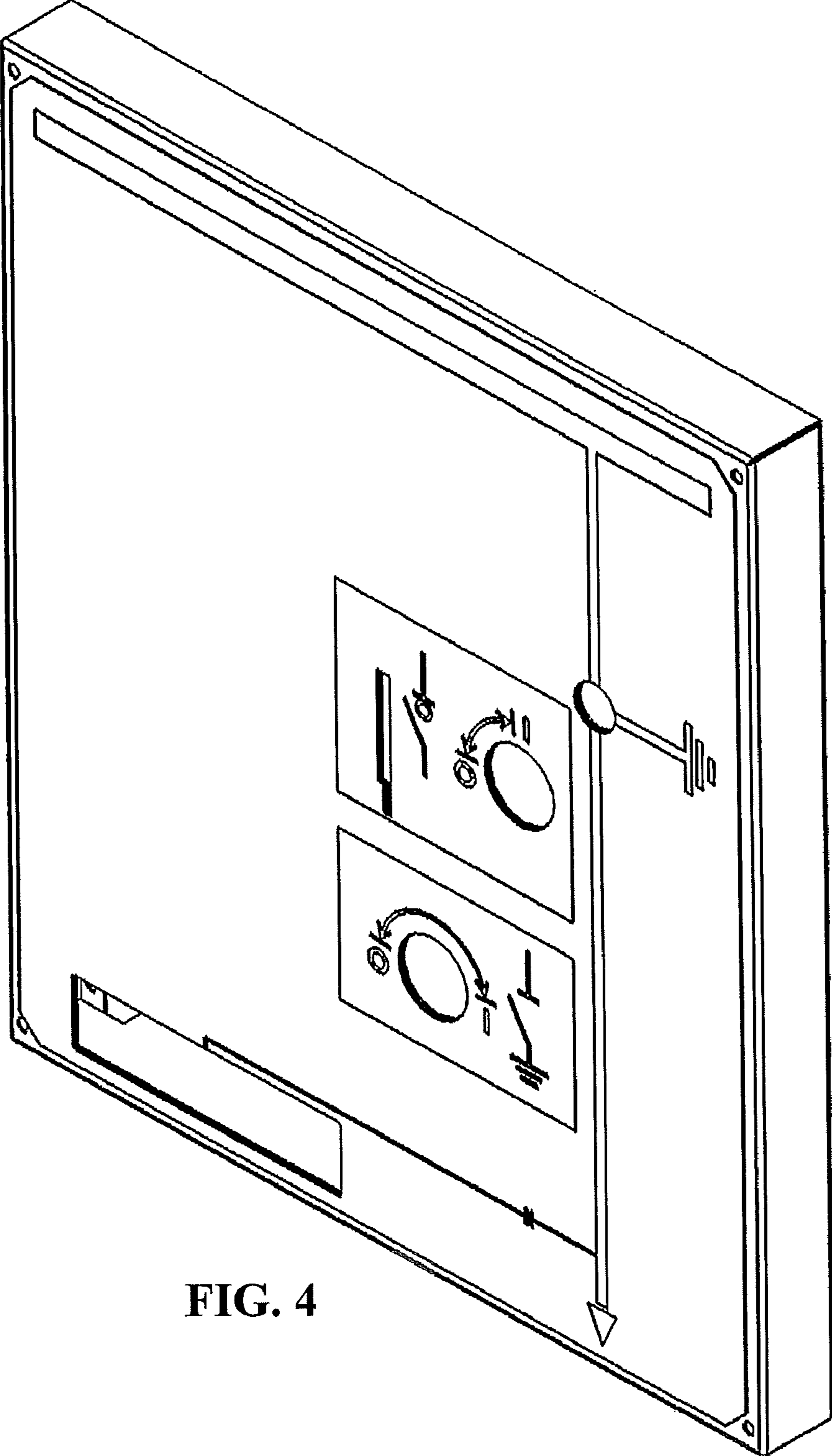


FIG. 4