



US00D679664S

(12) **United States Design Patent**
Piche et al.

(10) **Patent No.:** **US D679,664 S**

(45) **Date of Patent:** **** Apr. 9, 2013**

(54) **CONTROL PANEL**

(56) **References Cited**

(75) Inventors: **Sylvain Piche**, Saint-Lambert-de-Lauzon (CA); **Vincent Audy**, Saint-Etienne-de-Lauzon (CA); **Martin Dufour**, Quebec (CA); **Stephane Michaud**, St-Nicephore (CA); **Marieeve Begin**, Otterburn Park (CA); **Eric Theriault**, Chambly (CA); **Patrick Mainville**, Montreal (CA); **Catherine Turgy**, Lasalle (CA); **Norman Bedard**, Coleraine (CA)

U.S. PATENT DOCUMENTS

D310,819	S	*	9/1990	Watson et al.	D13/125
D310,992	S	*	10/1990	Rosenbaum et al.	D13/170
5,160,853	A	*	11/1992	Simon et al.	307/140
D408,303	S	*	4/1999	Janda et al.	D10/40
D435,523	S	*	12/2000	Ciornei et al.	D13/164
D487,063	S	*	2/2004	Demster	D13/162
D533,512	S	*	12/2006	Nakashima et al.	D13/164
D595,664	S	*	7/2009	Simard et al.	D13/162
D646,231	S	*	10/2011	Chou	D13/162
2006/0125324	A1	*	6/2006	Lai Lui	307/141.4

* cited by examiner

(73) Assignee: **M2S Électronique Ltée**, Quebec (CA)

Primary Examiner — Selina Sikder

(**) Term: **14 Years**

(74) *Attorney, Agent, or Firm* — Brouillette & Partners; François Cartier; Robert Brouillette

(21) Appl. No.: **29/402,525**

(57) **CLAIM**

The ornamental design for a control panel, as shown and described.

(22) Filed: **Sep. 23, 2011**

DESCRIPTION

(30) **Foreign Application Priority Data**

Mar. 25, 2011 (CA) 139780

(51) **LOC (9) Cl.** **13-03**

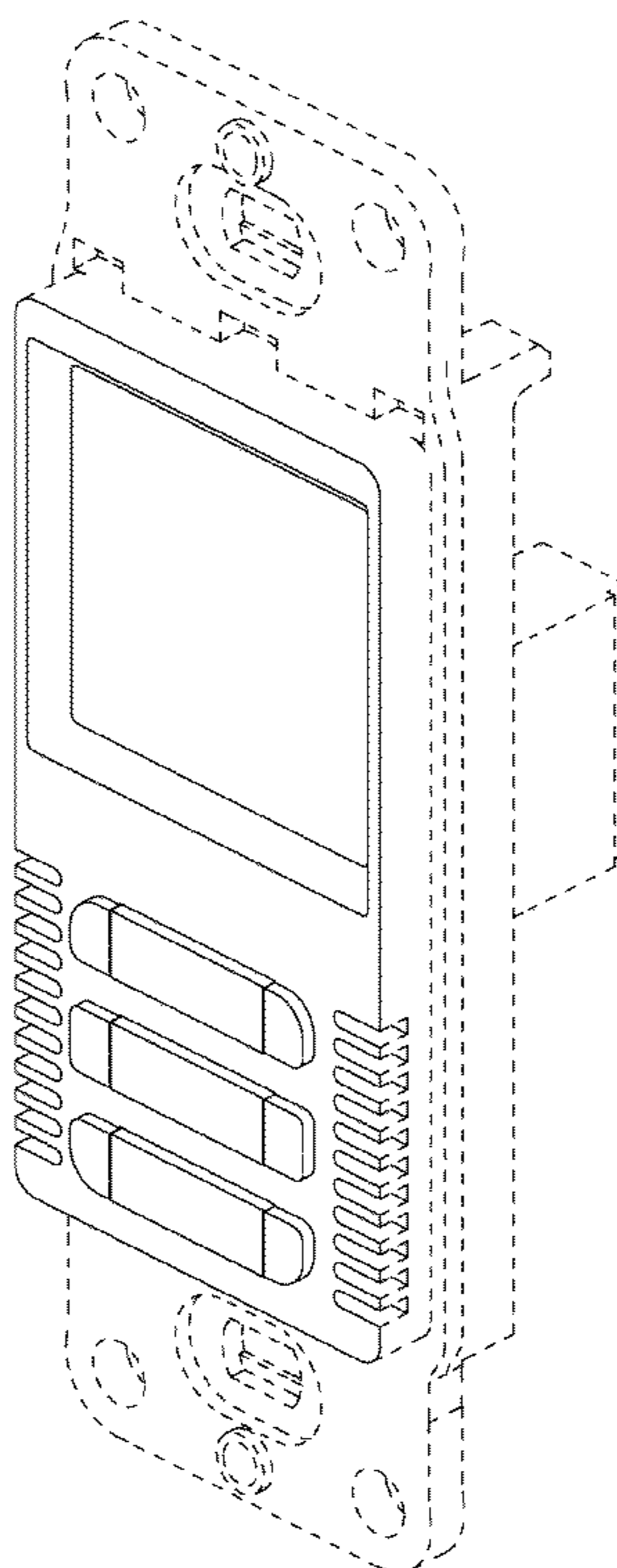
(52) **U.S. Cl.** **D13/164**

(58) **Field of Classification Search** D13/162, D13/164, 171, 174; D10/40, 106.8; 174/66; 200/5 R, 5 A, 302.2, 520, 530, 293, 296, 200/308, 310, 314, 329, 341; 307/139, 157; 315/209 R, 224, 246, 291, 294, 295

FIG. 1 is a perspective view of the control panel; FIG. 2 is a front view of the control panel; FIG. 3 is a right side view of the control panel; FIG. 4 is a left side view of the control panel; FIG. 5 is a bottom view of the control panel; and, FIG. 6 is a top view of the control panel. The elements and structures shown in dashed lines are shown for illustration purposes only and do not form part of the design.

See application file for complete search history.

1 Claim, 6 Drawing Sheets



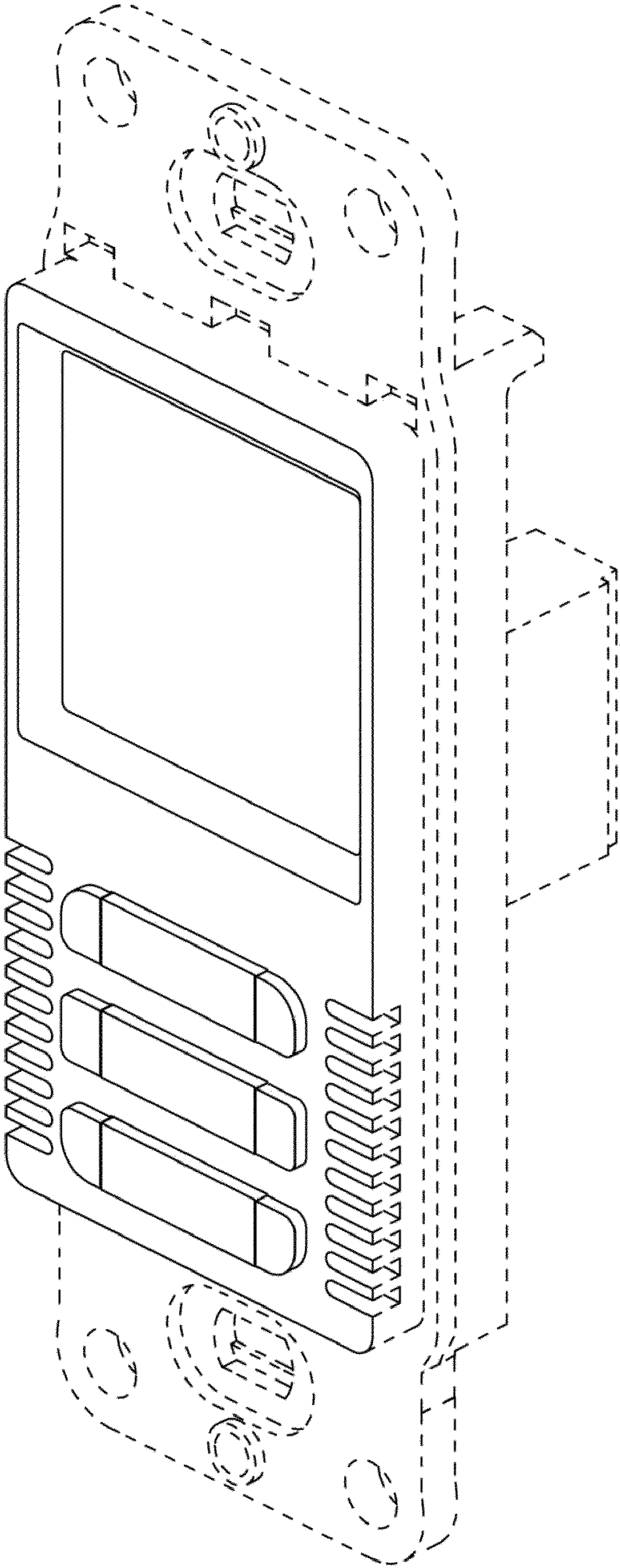


Fig. 1

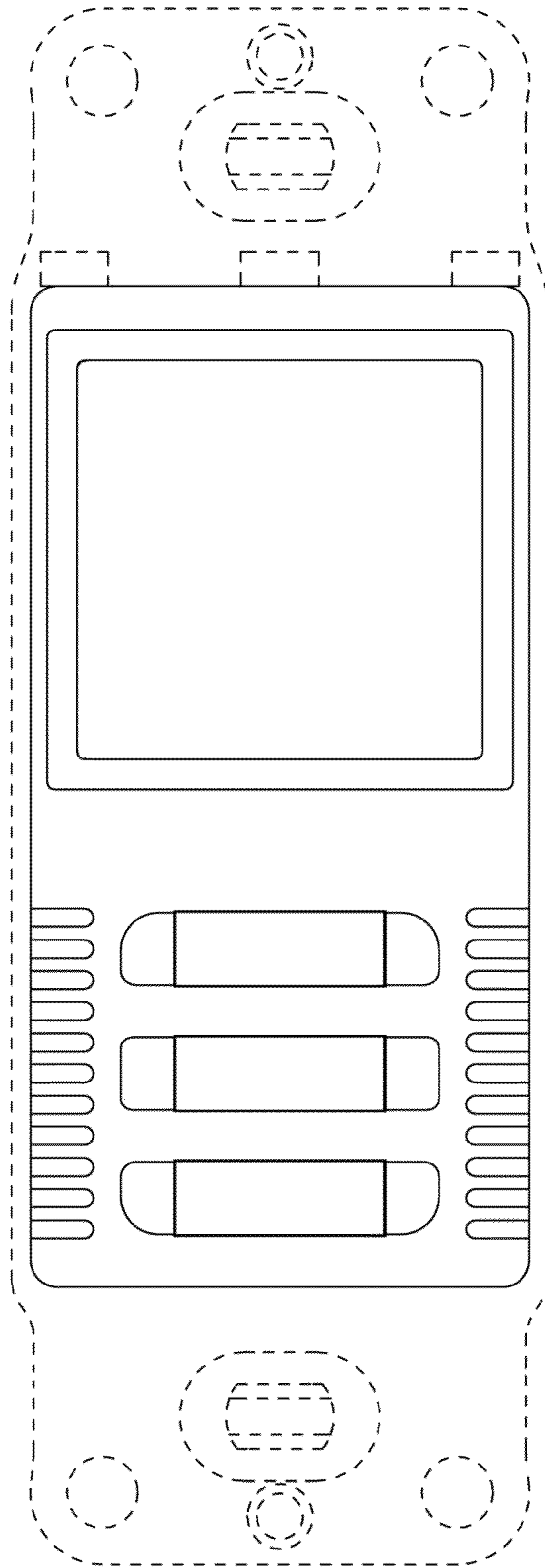


Fig. 2

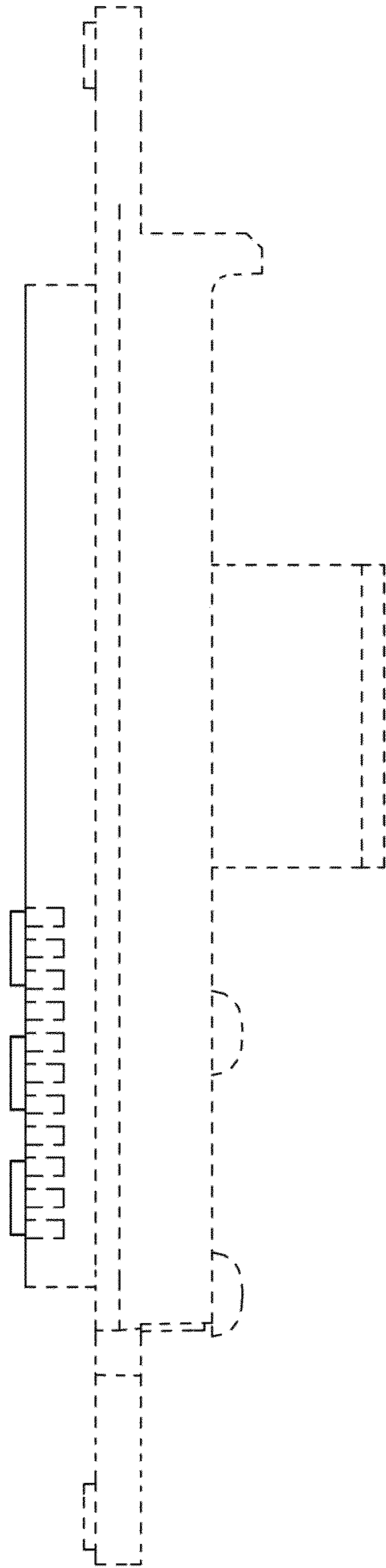


Fig. 3

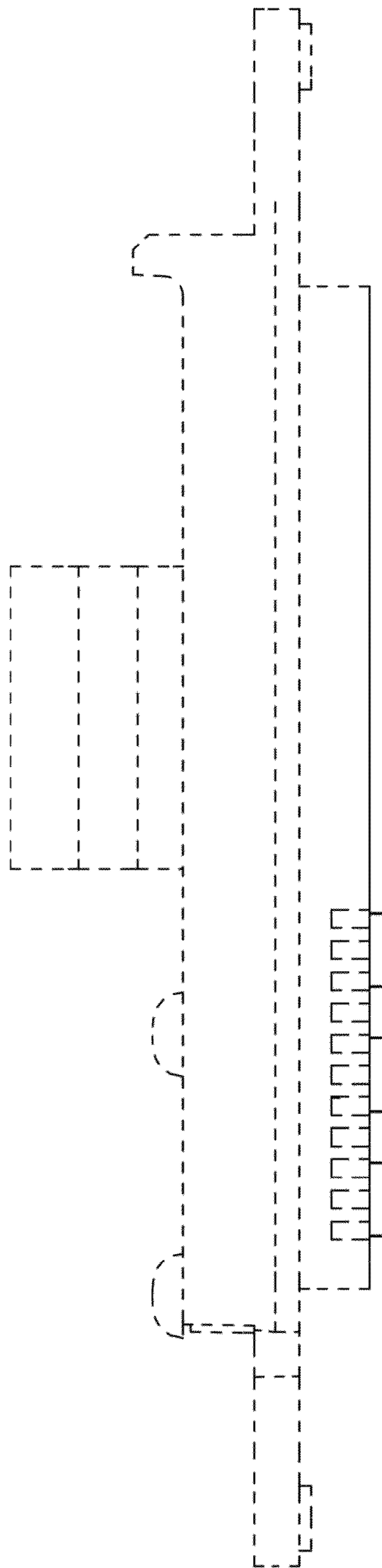


Fig. 4

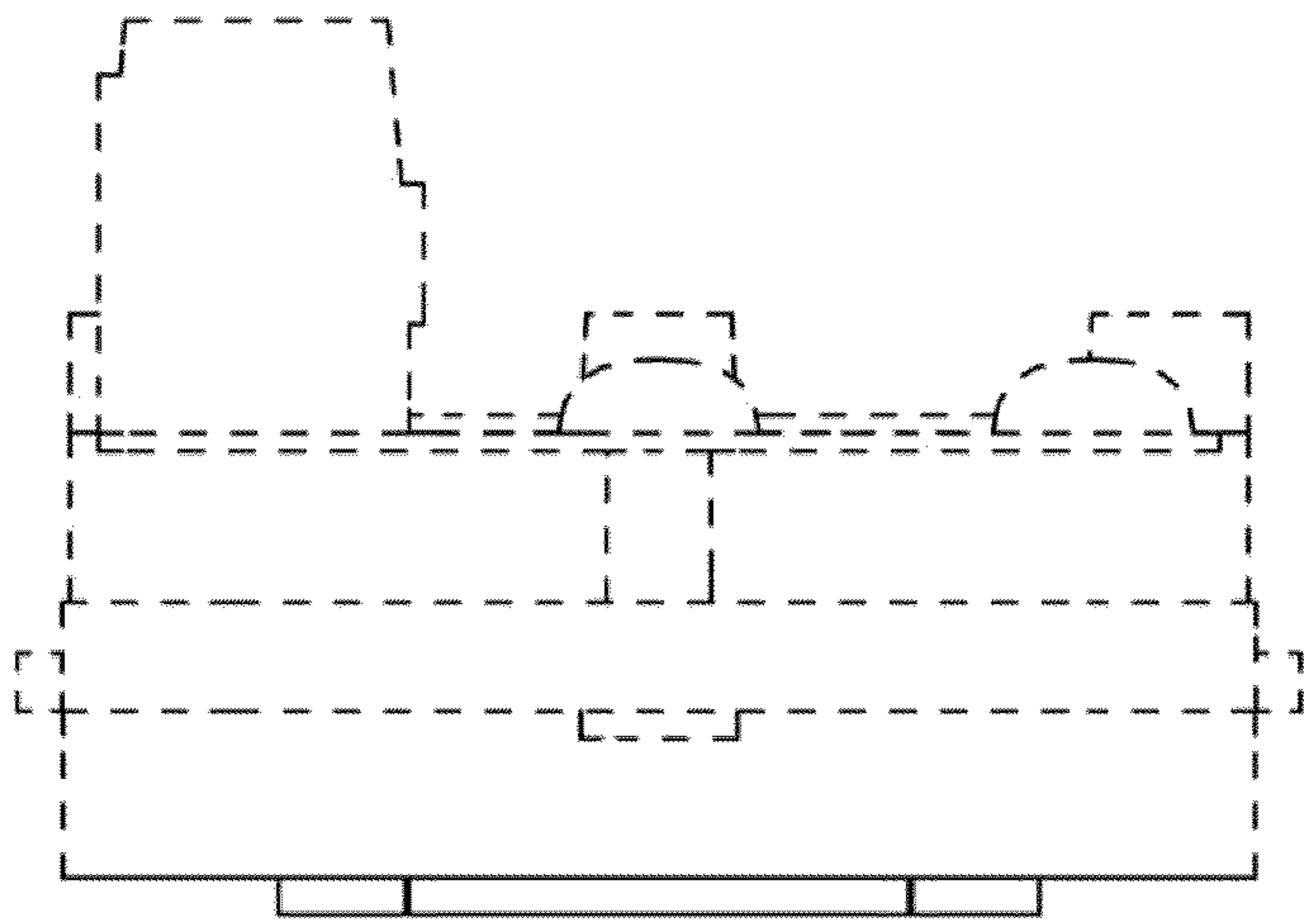


Fig. 5

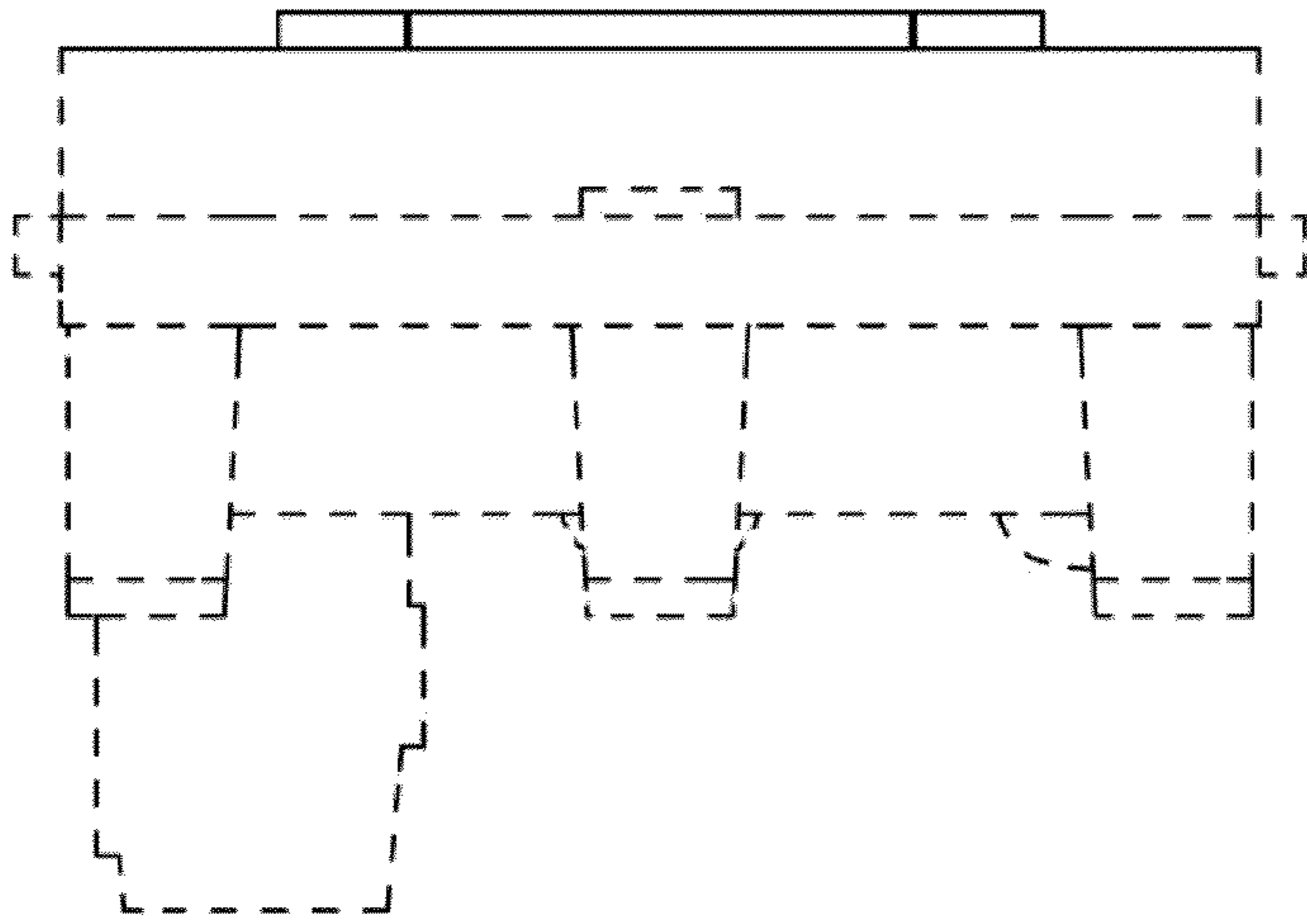


Fig. 6