



US00D679663S

(12) **United States Design Patent**
Mattlar et al.

(10) **Patent No.:** **US D679,663 S**

(45) **Date of Patent:** **** Apr. 9, 2013**

(54) **SWITCH**

(75) Inventors: **Harri Mattlar**, Iskmo (FI); **Juho Salo**,
Vaasa (FI)

(73) Assignee: **ABB Oy**, Helsinki (FI)

(**) Term: **14 Years**

(21) Appl. No.: **29/391,548**

(22) Filed: **May 10, 2011**

(30) **Foreign Application Priority Data**

Nov. 11, 2010 (EM) 001244313

(51) **LOC (9) Cl.** **13-03**

(52) **U.S. Cl.** **D13/158**

(58) **Field of Classification Search** D13/110,
D13/123, 147, 151, 158-177, 184; 200/5 R,
200/295, 308, 310, 313, 314, 329, 340, 1 R,
200/6 R, 5 A, 296, 302.3, 315, 330, 334,
200/339, 341, 520, 525, 553; 335/131-133,
335/196, 202, 262, 251; 439/491, 535

See application file for complete search history.

(56) **References Cited**

U.S. PATENT DOCUMENTS

D642,991	S	*	8/2011	Mattlar et al.	D13/158
D653,624	S	*	2/2012	Mattlar et al.	D13/158
D654,441	S	*	2/2012	Mattlar et al.	D13/158
D654,878	S	*	2/2012	Mattlar et al.	D13/158
D655,680	S	*	3/2012	Mattlar et al.	D13/158

* cited by examiner

Primary Examiner — Thomas Johannes

(74) *Attorney, Agent, or Firm* — Buchanan Ingersoll & Rooney PC

(57) **CLAIM**

The ornamental design for a switch, as shown and described.

DESCRIPTION

FIG. 1 is a front, side perspective view of a switch according to our new design.

FIG. 2 is a front elevational view thereof.

FIG. 3 is a right end elevational view thereof.

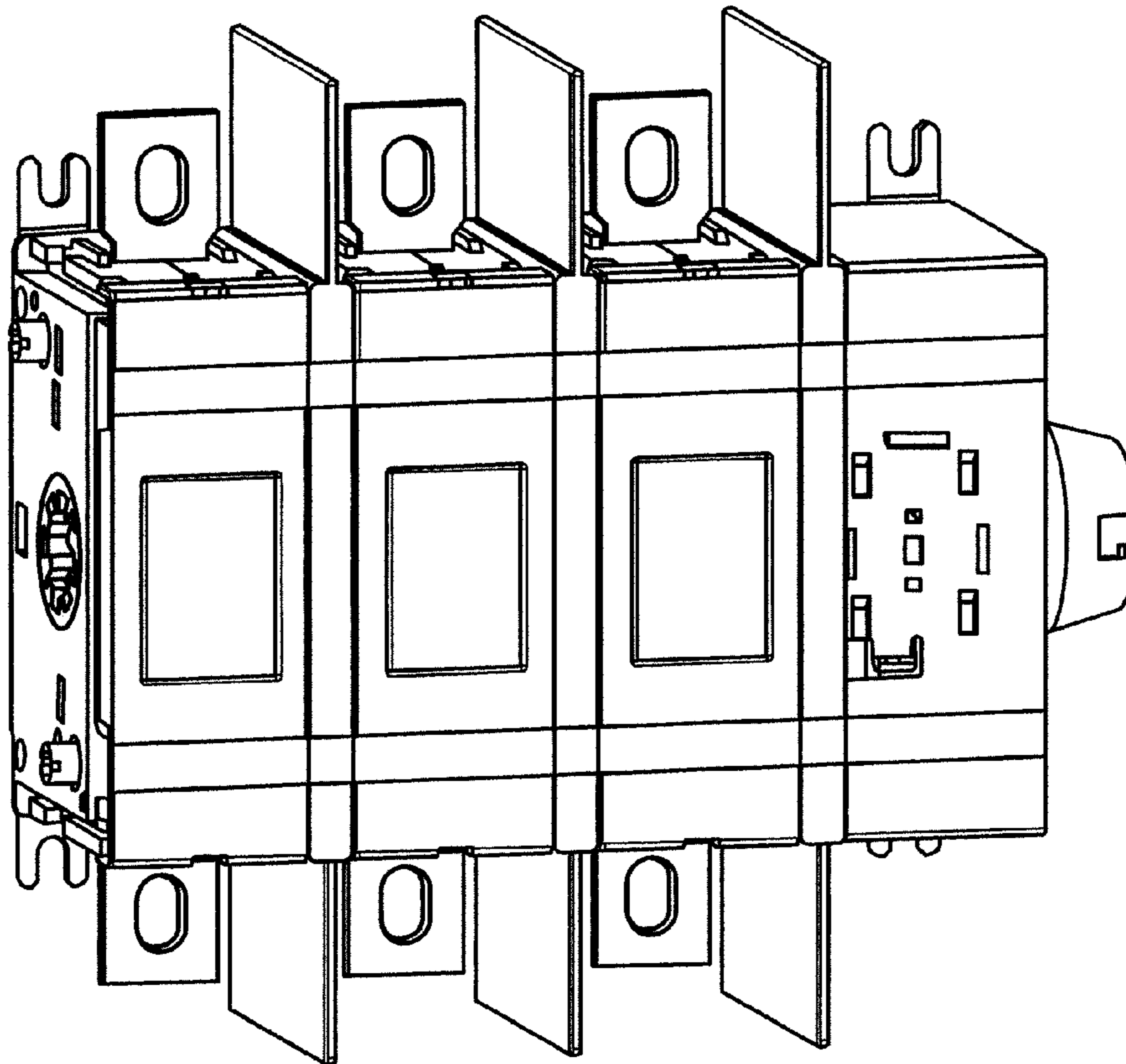
FIG. 4 is a left end elevational view thereof.

FIG. 5 is a top plan view thereof, the bottom view being a mirror image thereof; and,

FIG. 6 is a rear elevational view thereof.

The broken line portion of the figure drawings is included to show unclaimed subject matter only and forms no part of the claimed design.

1 Claim, 6 Drawing Sheets



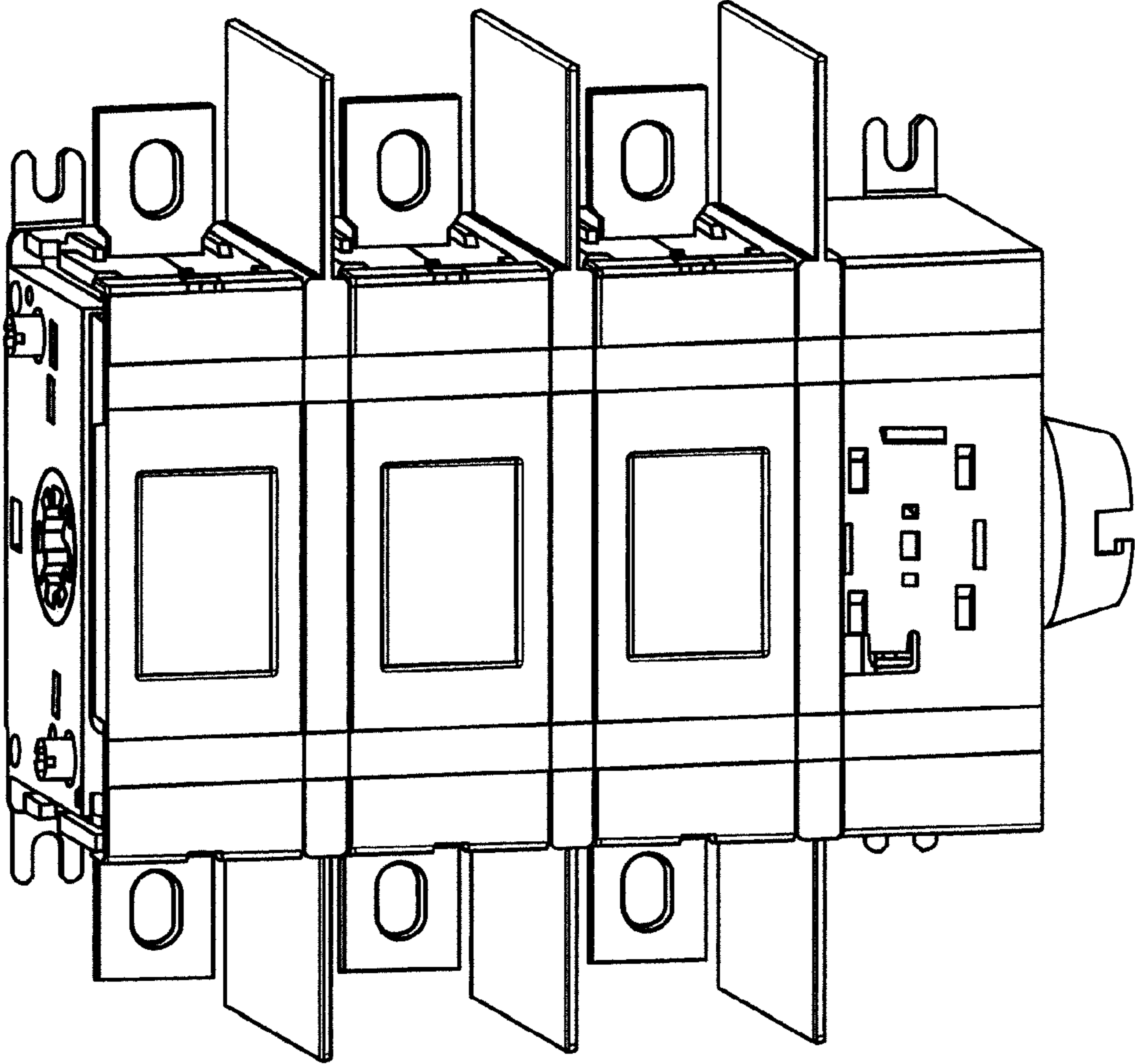


FIG. 1

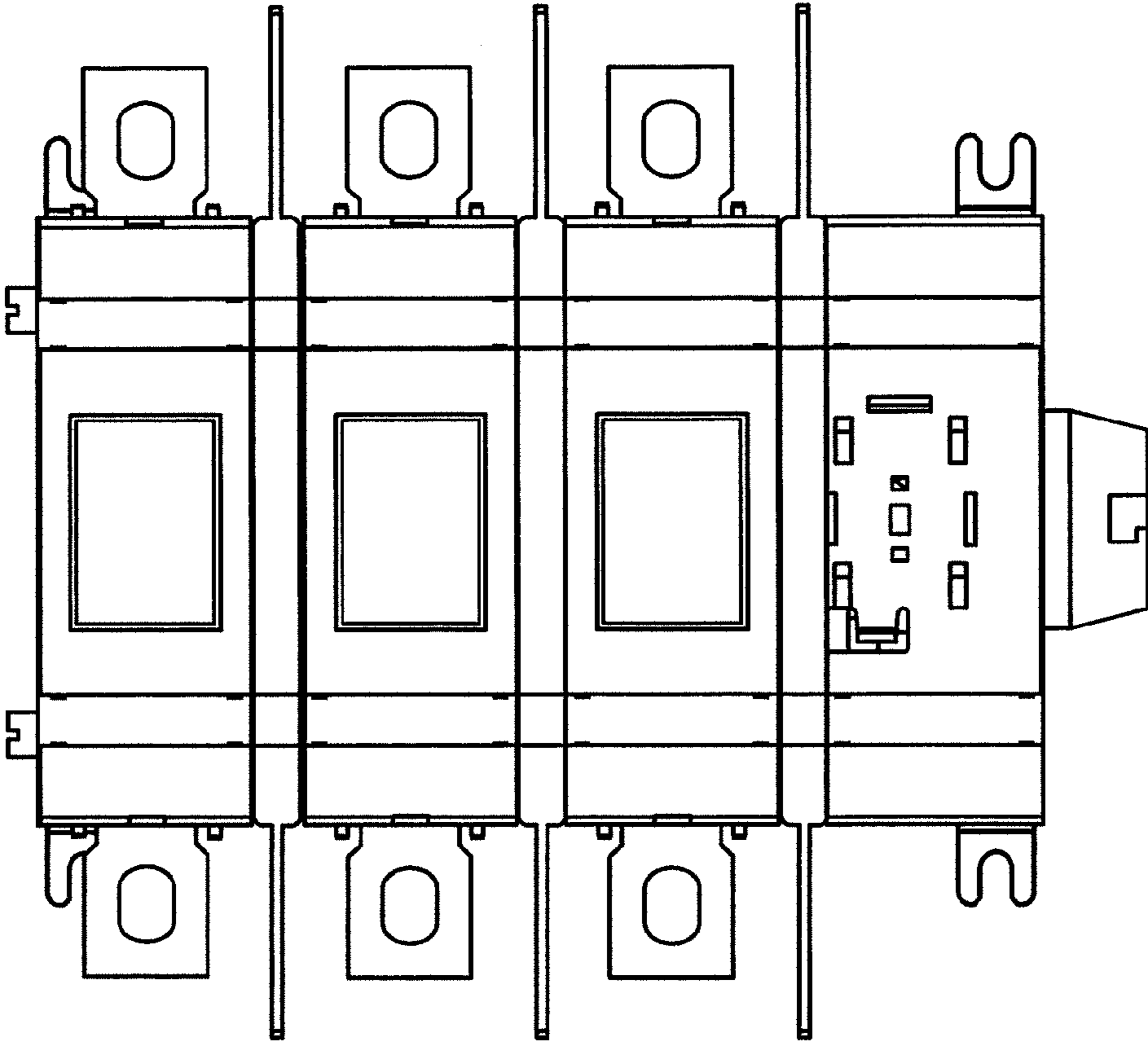


FIG. 2

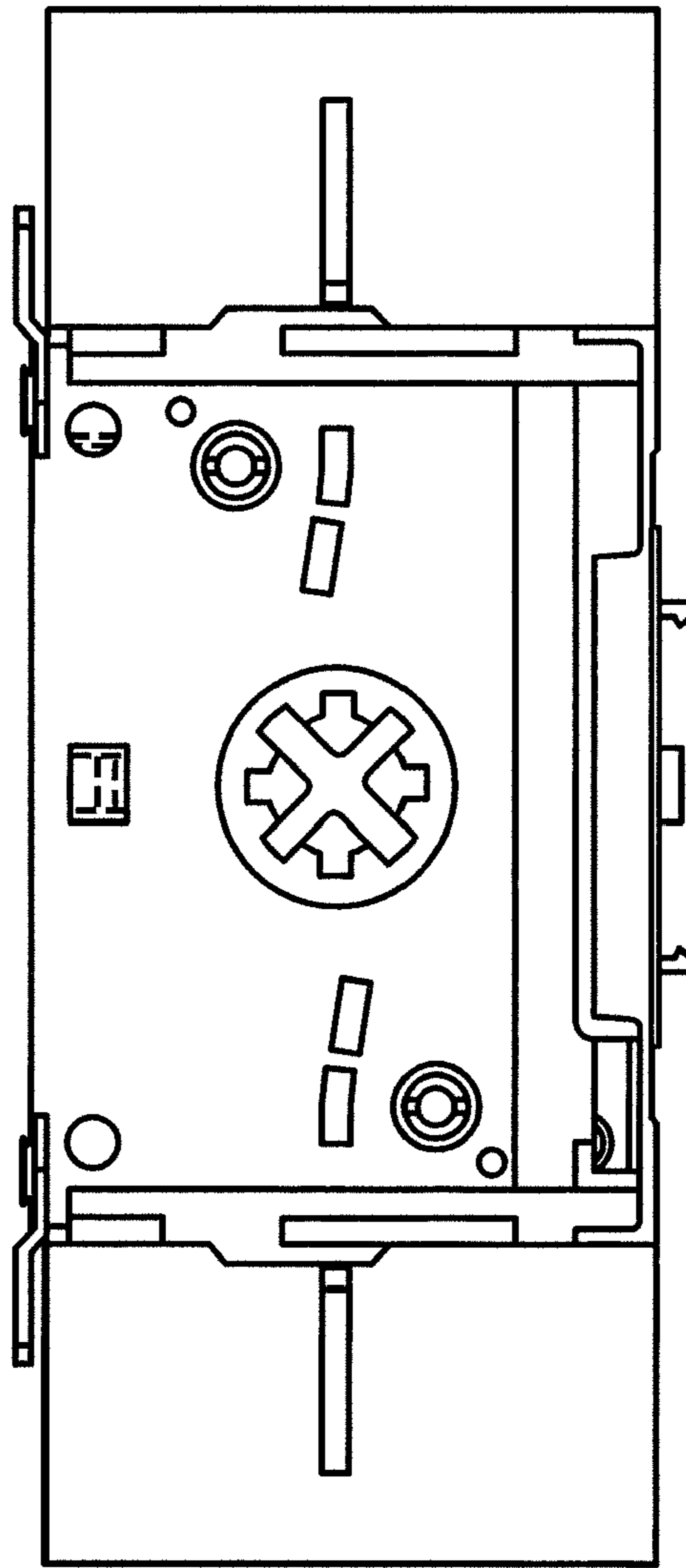


FIG. 3

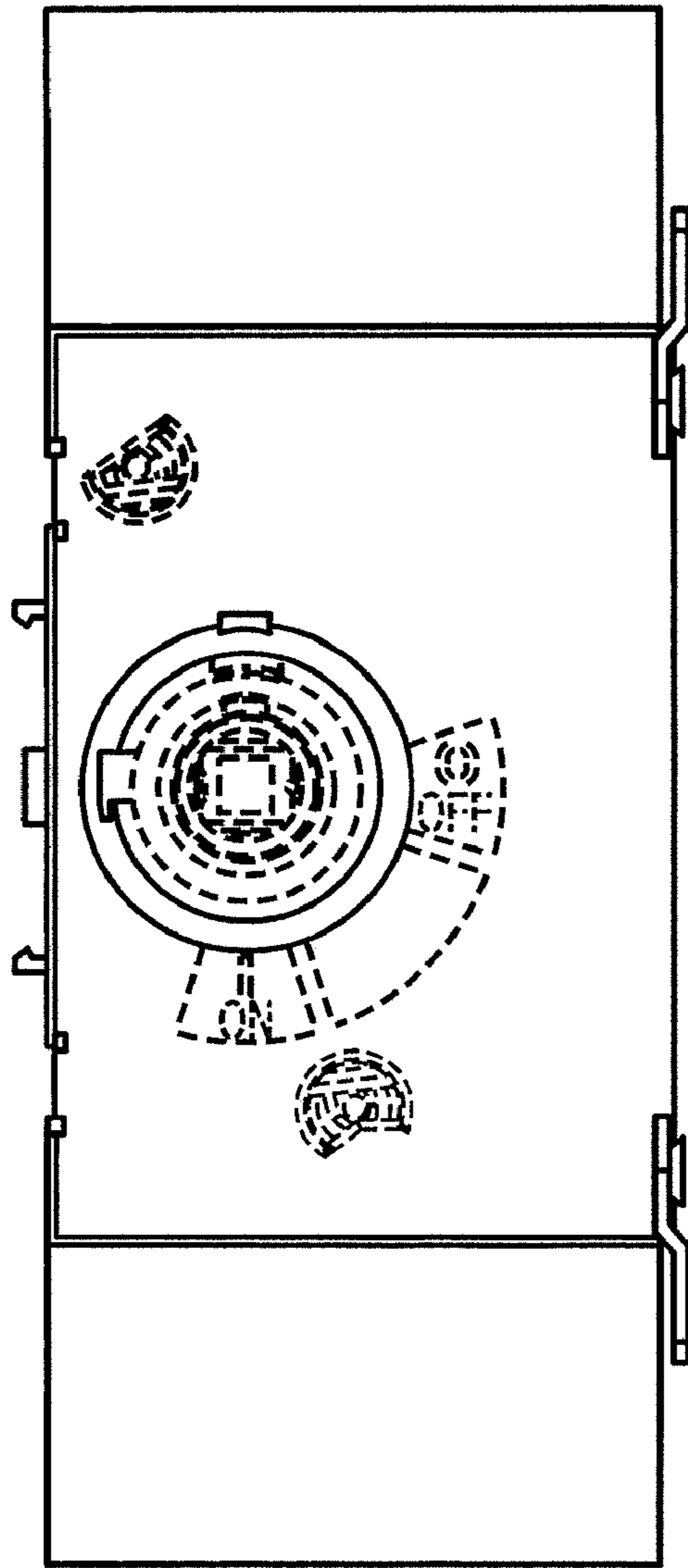


FIG. 4

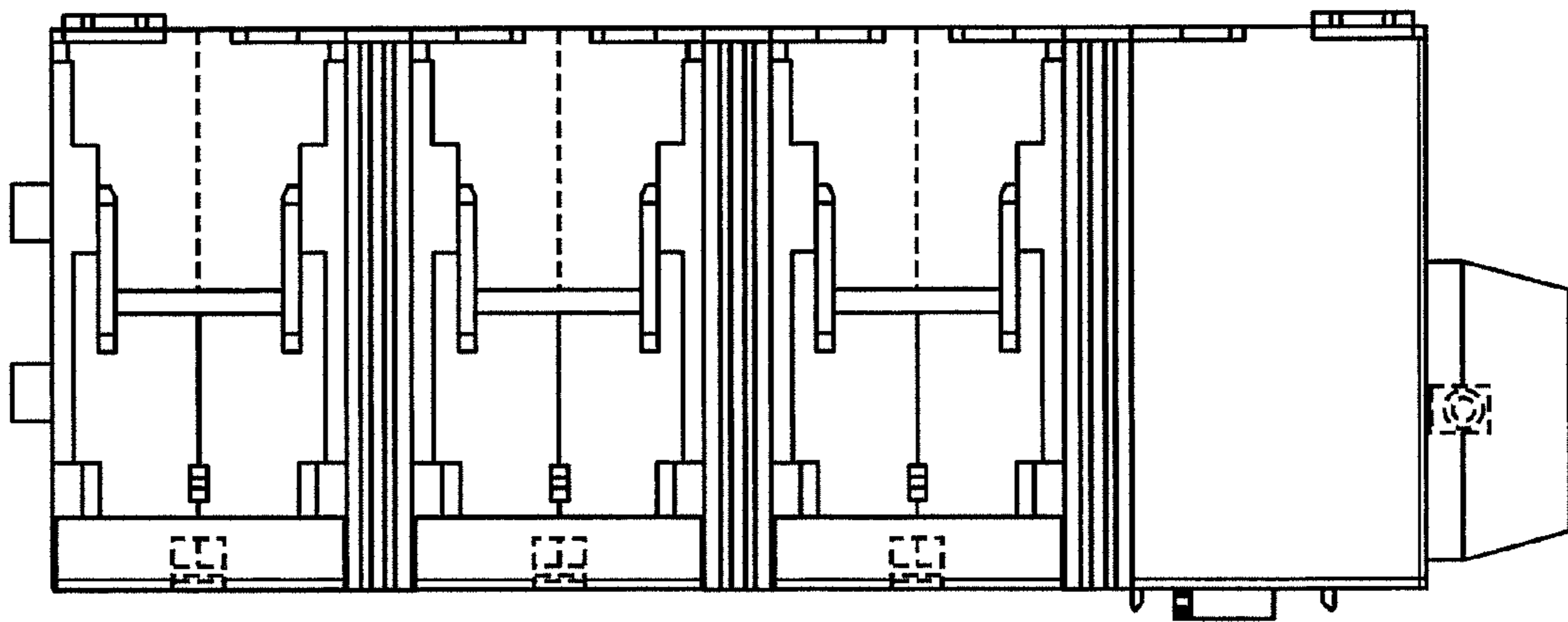


FIG. 5

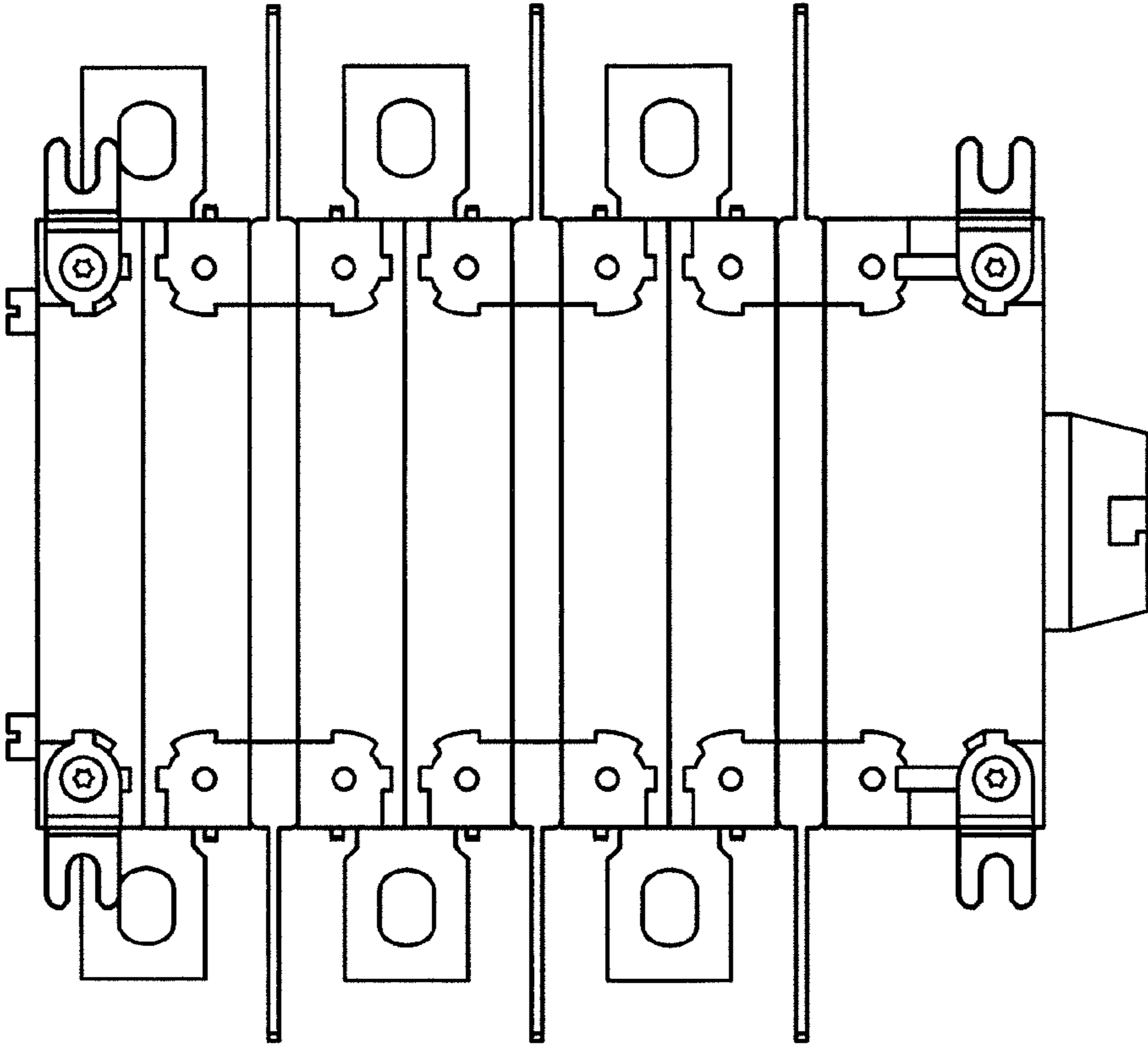


FIG. 6