



US00D679662S

(12) **United States Design Patent**
Svelnis et al.

(10) **Patent No.:** **US D679,662 S**
(45) **Date of Patent:** **** Apr. 9, 2013**

(54) **PLUG FOR HI POWER CONNECTOR**

(75) Inventors: **Christine M Svelnis**, Boylston, MA (US); **Craig H Baker**, Shrewsbury, MA (US); **Jeffrey S Burkhardt**, Brookline, NH (US)

(73) Assignee: **Anderson Power Products, Inc.**, Sterling, MA (US)

(**) Term: **14 Years**

(21) Appl. No.: **29/386,621**

(22) Filed: **Mar. 3, 2011**

Related U.S. Application Data

(63) Continuation-in-part of application No. 29/368,435, filed on Aug. 24, 2010, now abandoned.

(51) **LOC (9) Cl.** **13-03**

(52) **U.S. Cl.** **D13/154; D13/133; D13/156**

(58) **Field of Classification Search** D13/133, D13/146, 147, 154, 156, 184, 199; 439/304, 439/310, 325, 338, 344, 345, 347, 350, 367, 439/370, 374, 527, 533, 607.53, 894, 901, 439/903

See application file for complete search history.

(56) **References Cited**

U.S. PATENT DOCUMENTS

D306,426	S	*	3/1990	Endo et al.	D13/133
D311,379	S	*	10/1990	Kuzuno et al.	D13/147
D311,733	S		10/1990	Kuzuno et al.		
D319,043	S	*	8/1991	Hayashi et al.	D13/133
5,127,848	A		7/1992	Taguchi		

5,651,689	A		7/1997	Plyler et al.		
D415,999	S		11/1999	Esposito		
6,171,136	B1		1/2001	Liu et al.		
D472,524	S	*	4/2003	Yamawaki et al.	D13/147
D503,150	S		3/2005	Yamawaki et al.		
D521,934	S	*	5/2006	Zhuang et al.	D13/147
D522,459	S		6/2006	Chen et al.		
D544,843	S		6/2007	Sugita et al.		
D599,297	S		9/2009	Chen		
D636,346	S	*	4/2011	Svelnis et al.	D13/154
D643,371	S	*	8/2011	Svelnis et al.	D13/154
D672,725	S	*	12/2012	Svelnis et al.	D13/151
D672,726	S	*	12/2012	Svelnis et al.	D13/151

* cited by examiner

Primary Examiner — Daniel Bui

(74) *Attorney, Agent, or Firm* — Maine Cernota & Rardin

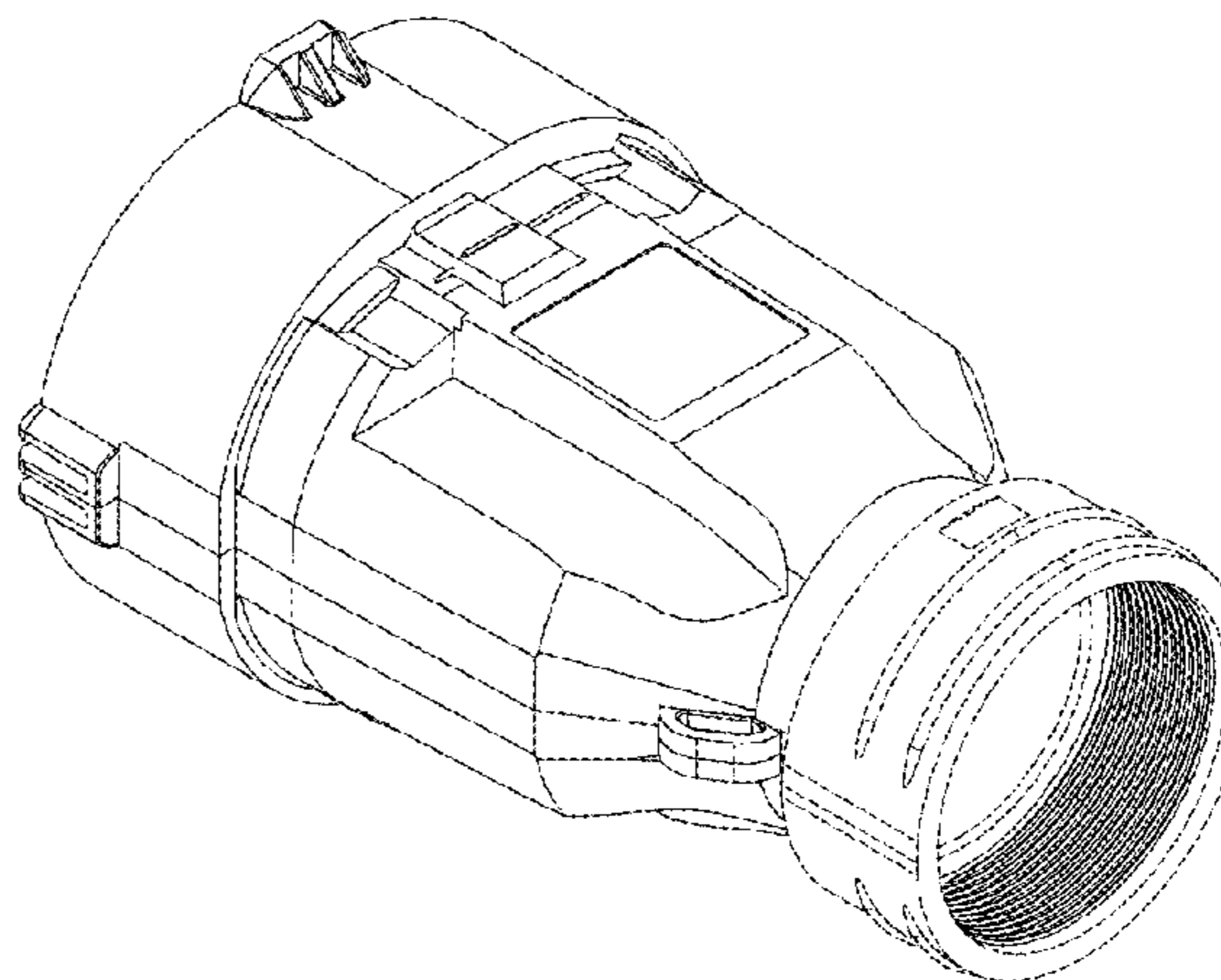
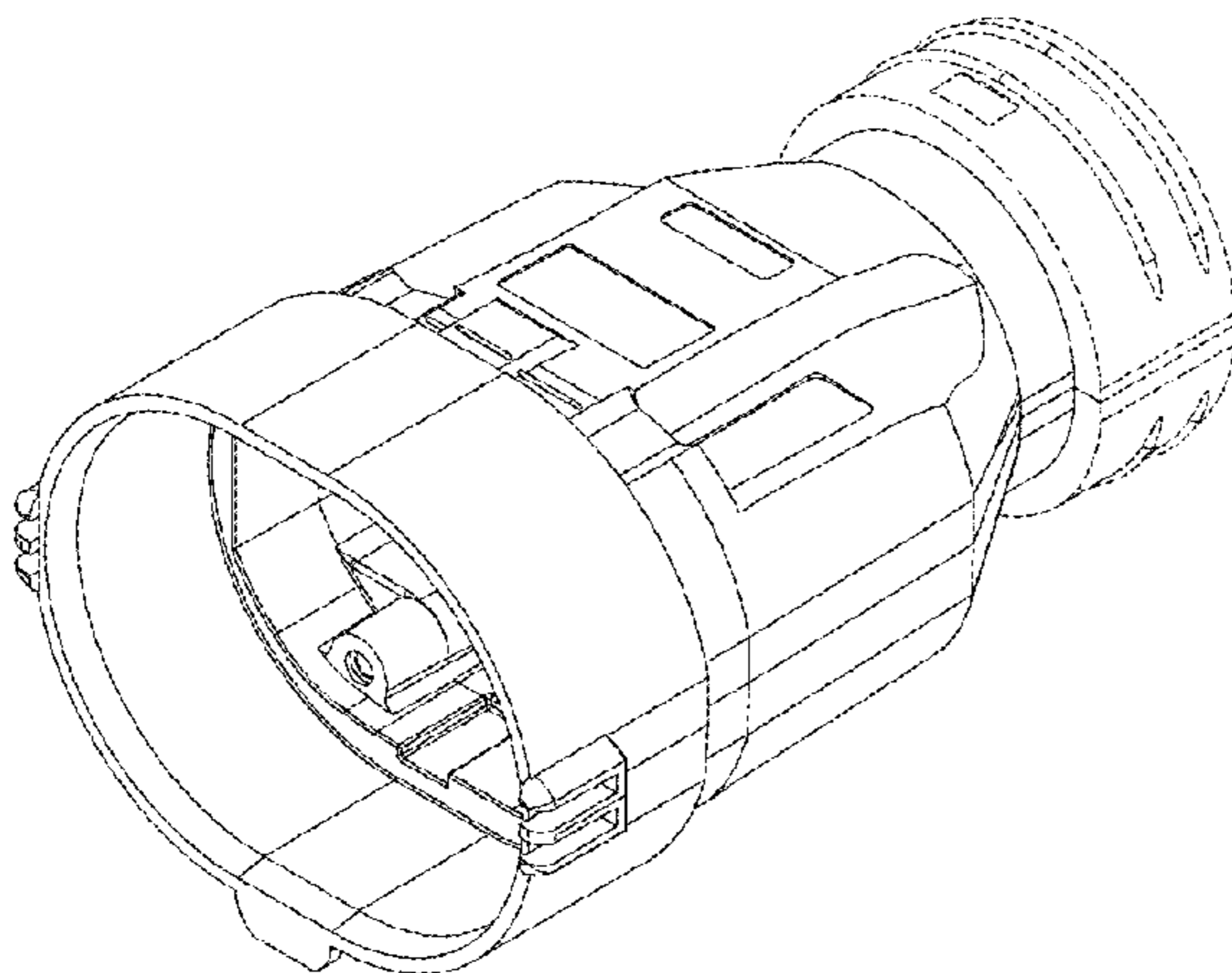
(57) **CLAIM**

The ornamental design for a plug for hi power connector, as shown and described.

DESCRIPTION

FIG. 1 is a front view of a plug for hi power connector showing our new design;
FIG. 2 is a top view thereof;
FIG. 3 is a bottom view thereof;
FIG. 4 is a right side view thereof;
FIG. 5 is a left side view thereof;
FIG. 6 is a back view thereof;
FIG. 7 is a front, top perspective view thereof; and,
FIG. 8 is a back, bottom perspective view thereof.
The broken line portion of the figure drawings is included to show unclaimed subject matter only and forms no part of the claimed design.

1 Claim, 8 Drawing Sheets



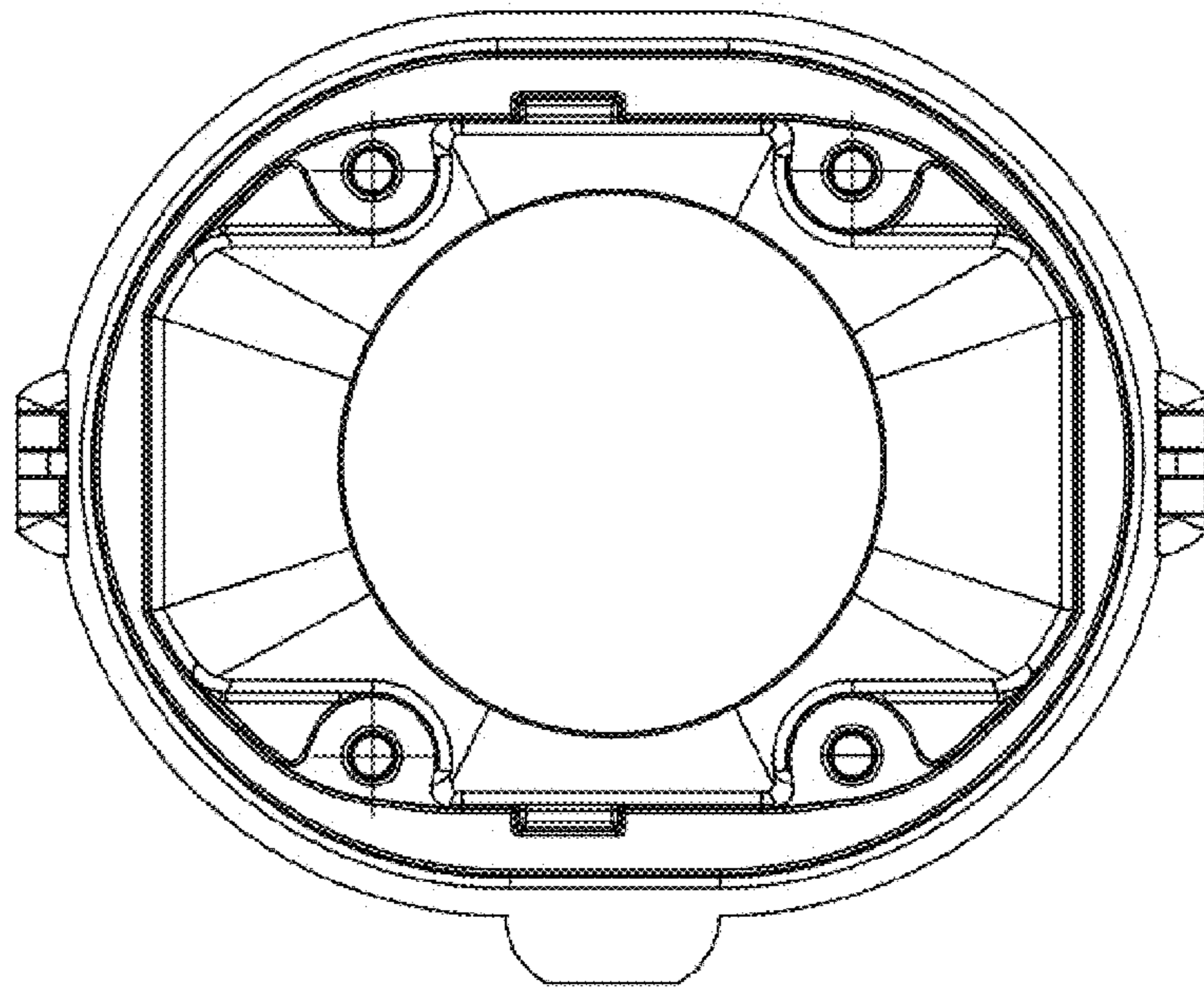


FIG. 1

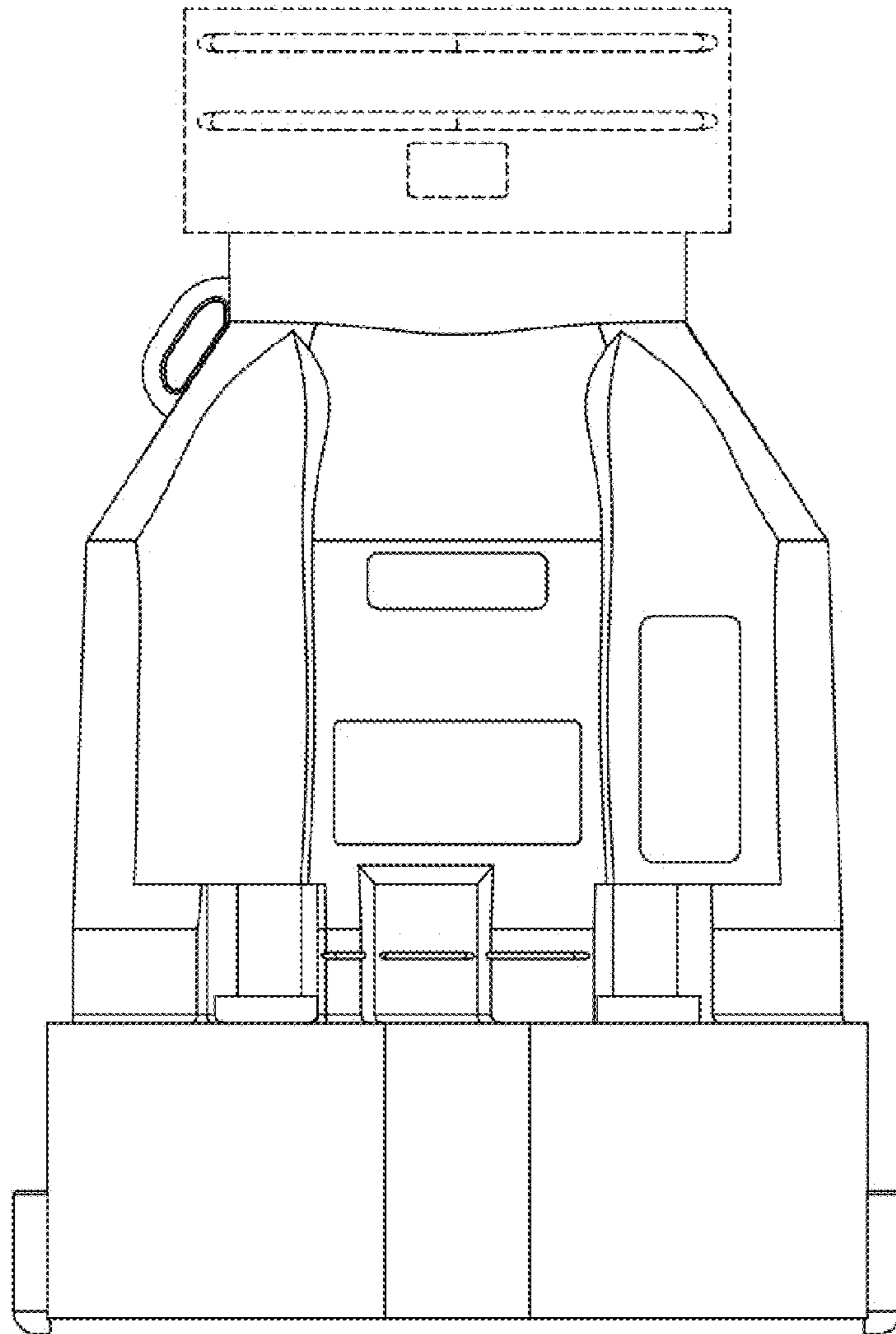


FIG. 2

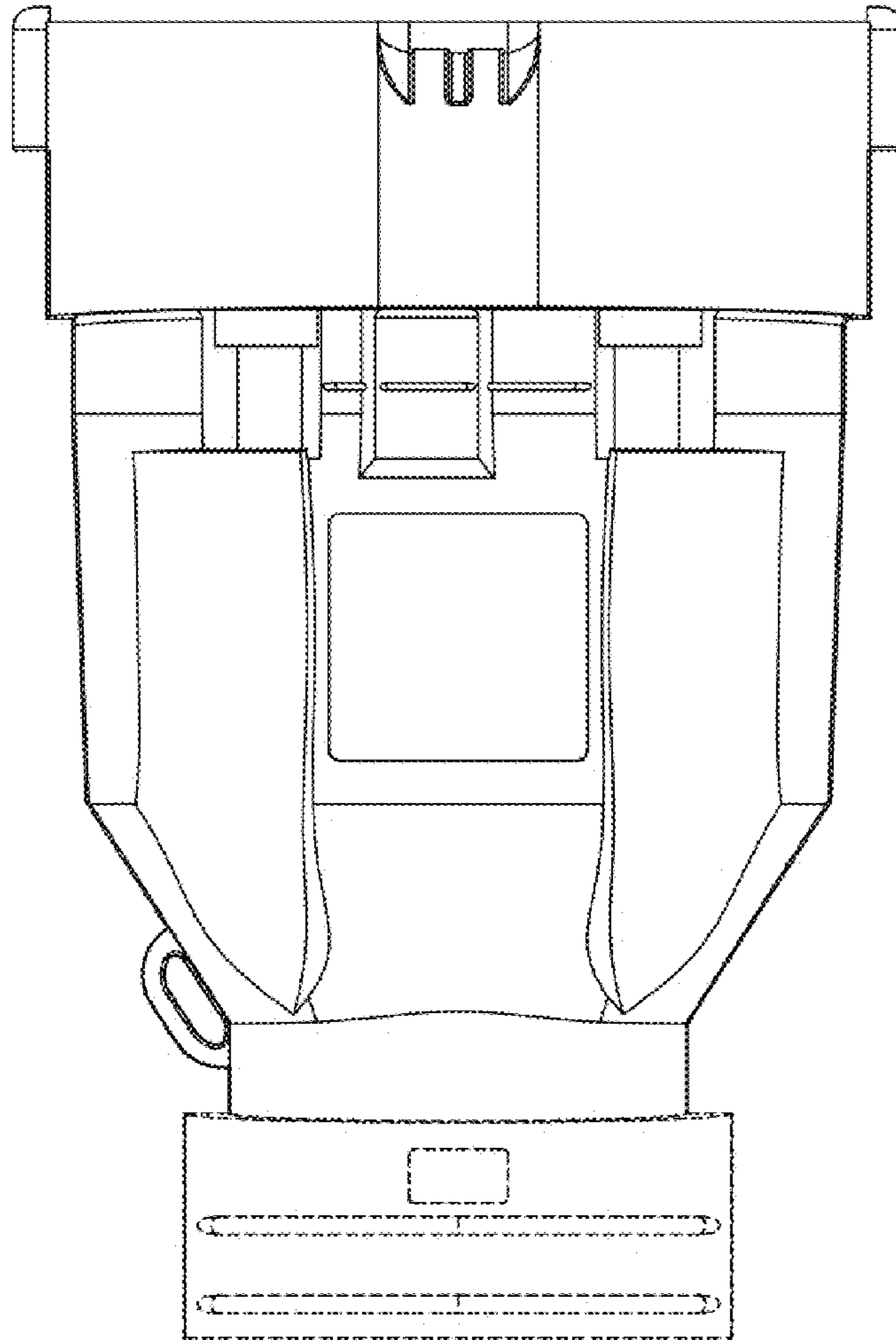


FIG. 3

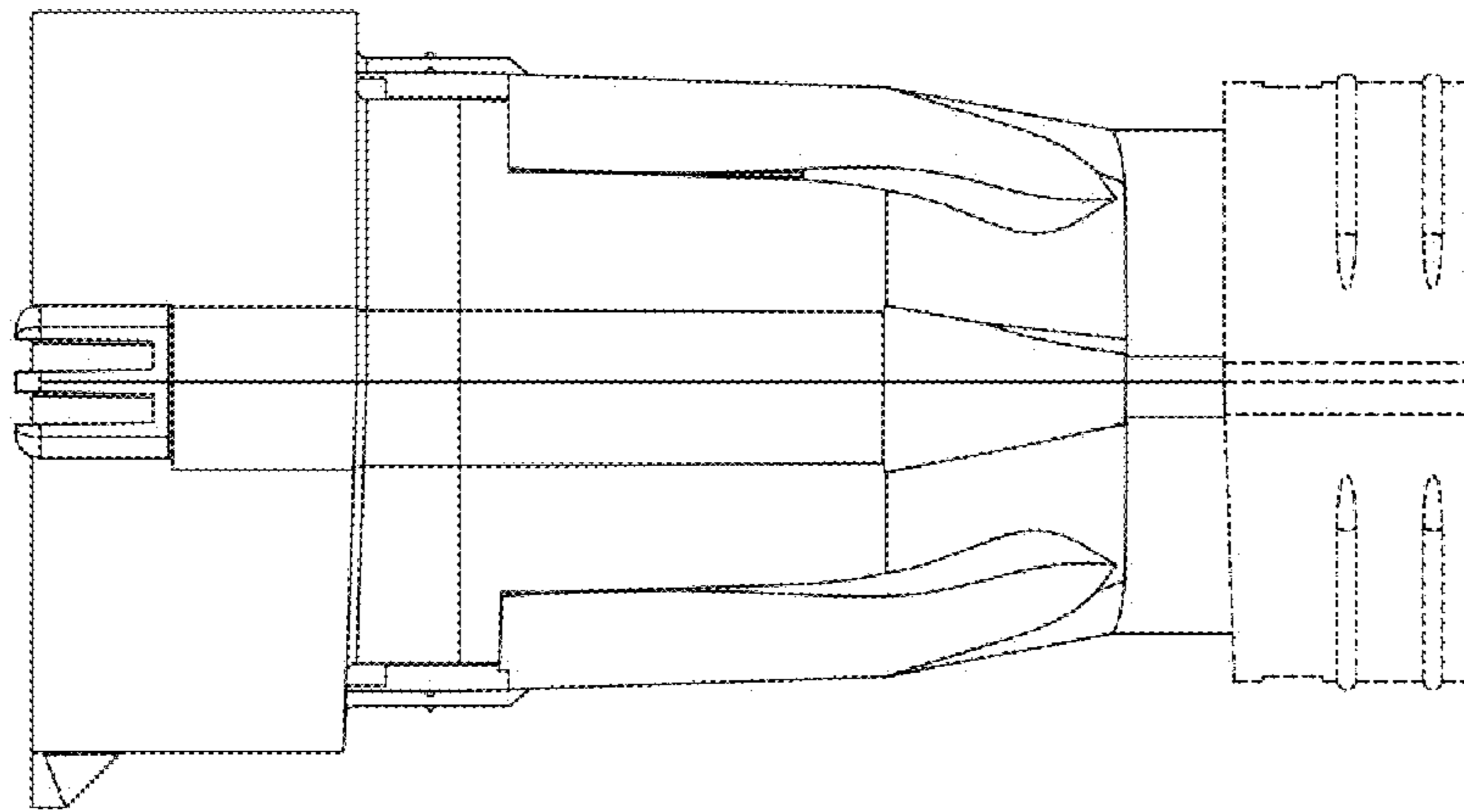


FIG. 4

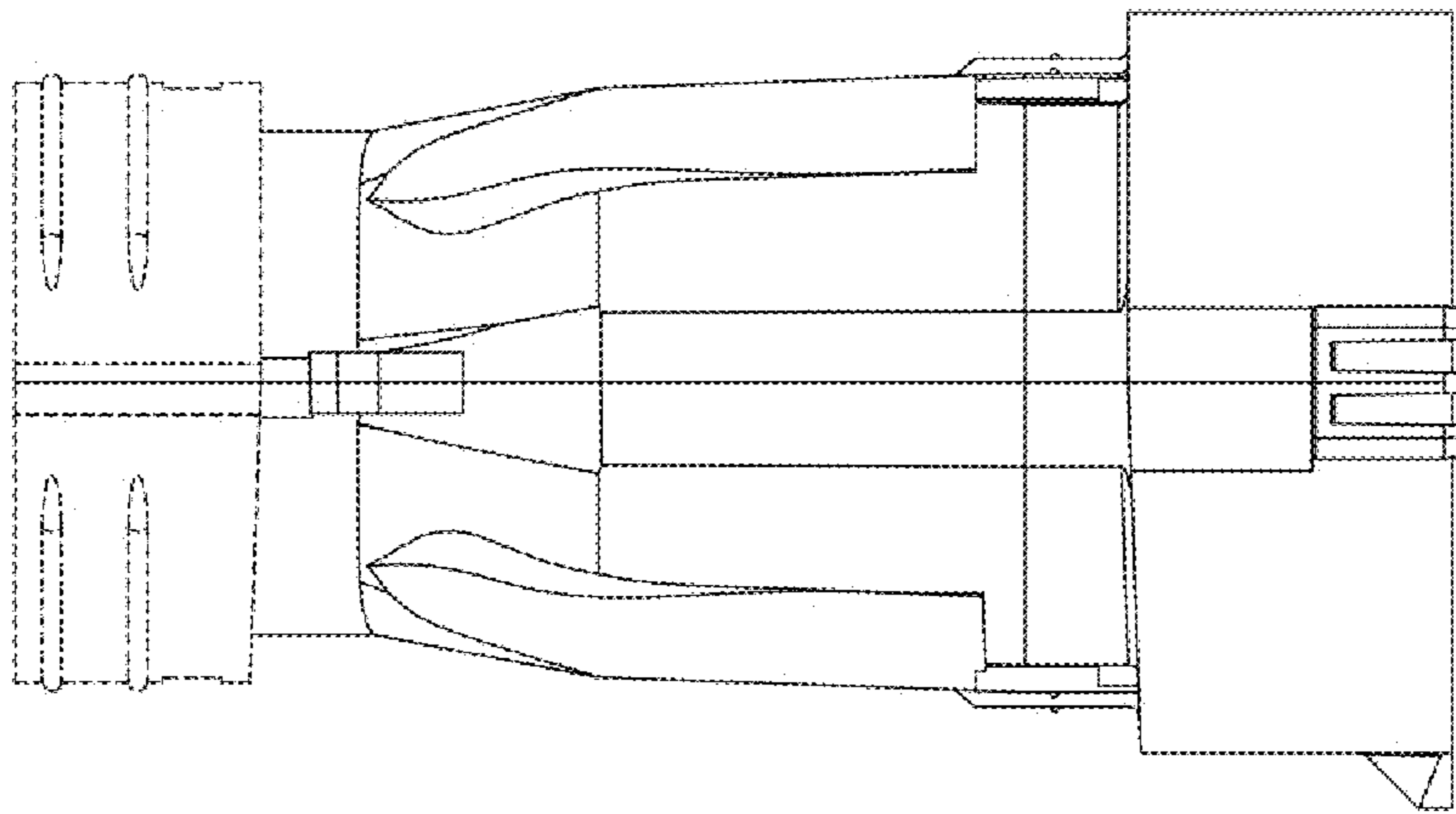


FIG. 5

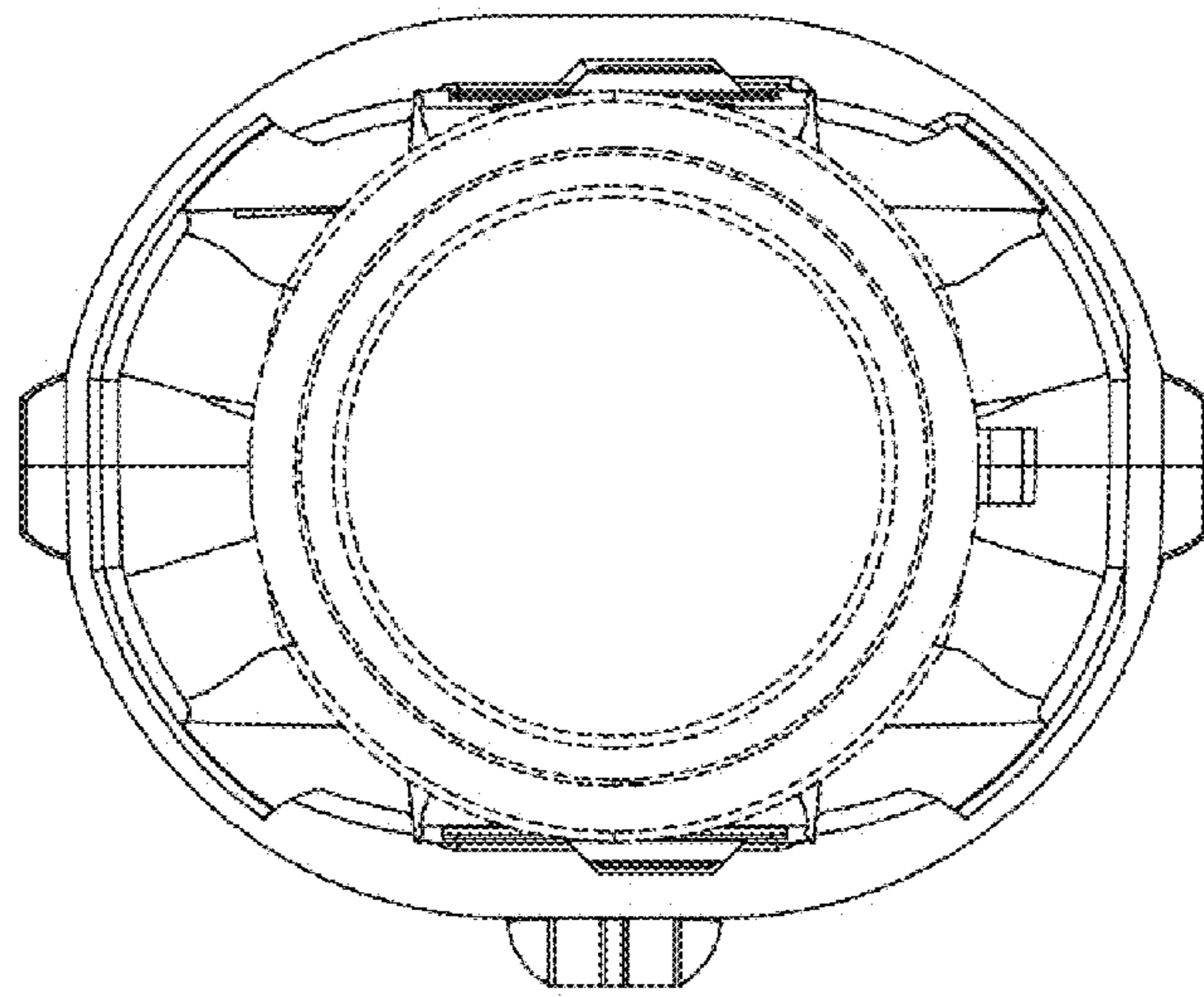


FIG. 6

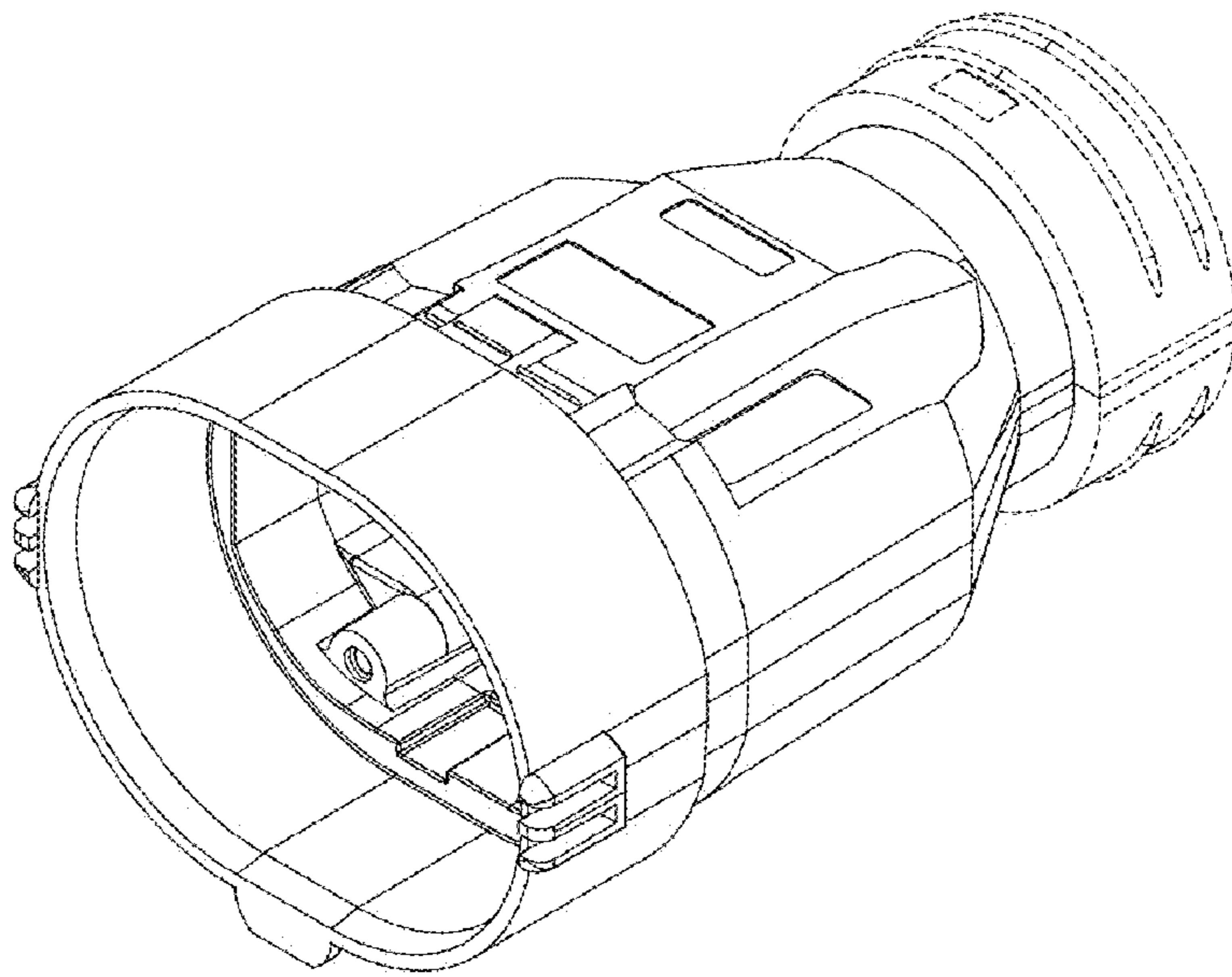


FIG. 7

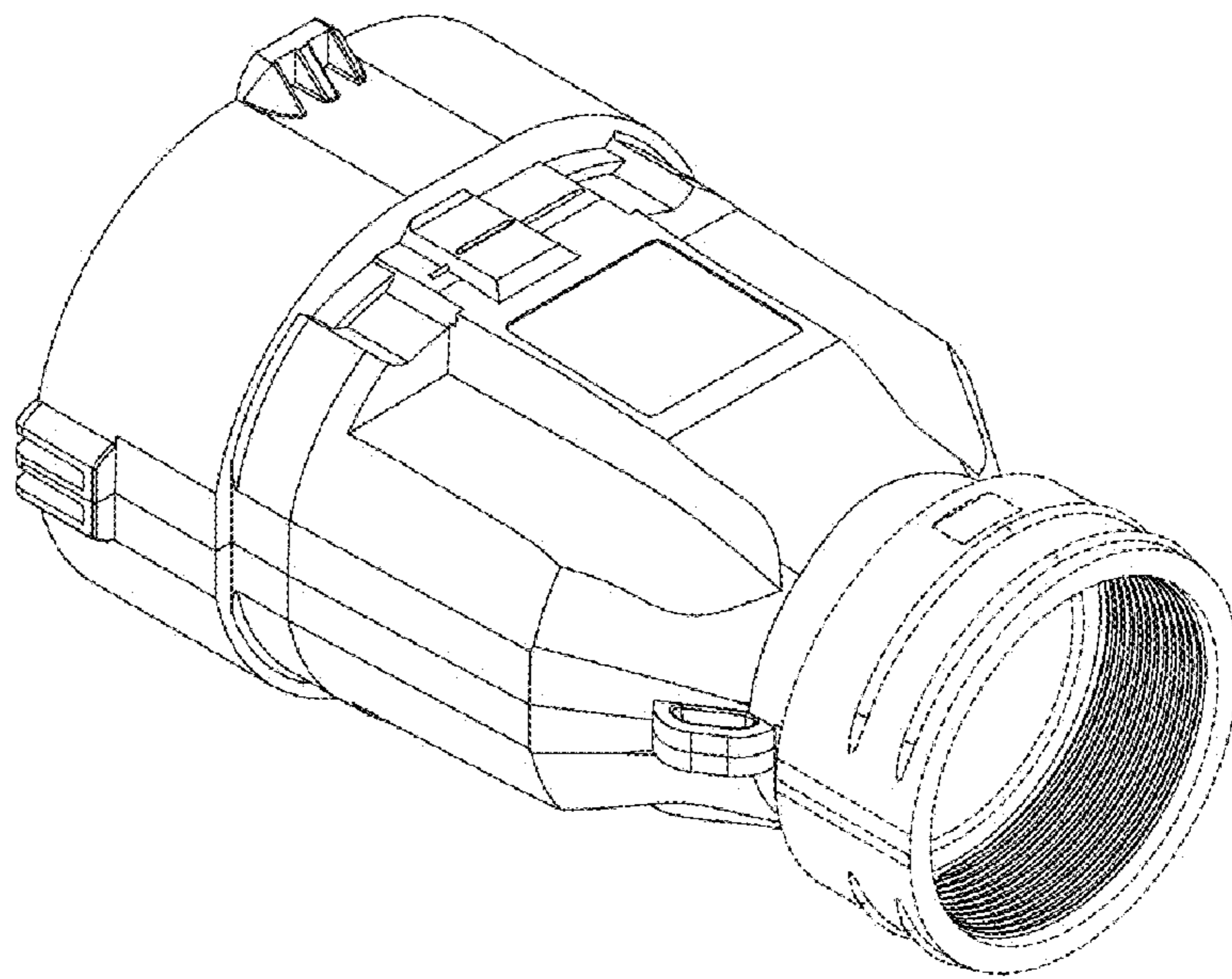


FIG. 8