



US00D679661S

(12) **United States Design Patent**
Yiffi

(10) **Patent No.:** **US D679,661 S**

(45) **Date of Patent:** **** Apr. 9, 2013**

(54) **EXTENSION CORD RULER**

(76) Inventor: **Isaac Yiffi**, Brooklyn, NY (US)

(**) Term: **14 Years**

(21) Appl. No.: **29/390,844**

(22) Filed: **Apr. 29, 2011**

(51) **LOC (9) Cl.** **13-03**

(52) **U.S. Cl.**
USPC **D13/153; D10/70**

(58) **Field of Classification Search** D13/153,
D13/133, 139.7, 138.1, 137.4, 137.1, 129,
D13/117, 147, 154, 156, 182; D24/133,
D24/140, 146, 147, 171; 439/350, 358, 447,
439/352, 578, 584, 585, 607-610, 660, 680,
439/682, 686, 131, 248; 138/162, 156, 166;
D21/385; D10/70-72; D14/440; 174/102,
174/135, 138, 72 A

See application file for complete search history.

(56) **References Cited**

U.S. PATENT DOCUMENTS

D467,382 S	*	12/2002	Lin	D27/142
D542,415 S	*	5/2007	Sandel	D24/133
D547,866 S	*	7/2007	Malis	D24/144
D597,204 S	*	7/2009	Oberlaender et al.	D24/133
D639,685 S	*	6/2011	Dahlin et al.	D10/70

OTHER PUBLICATIONS

http://www.flyfishohio.com/Eagle_Claw_Featherlight_FL300-8.htm searched RMS Nov. 8, 2012.*

<http://www.sckayakfishing.com/phpBB3/viewtopic.php?f=43&t=1034> searched RMS Nov. 8, 2012.*

* cited by examiner

Primary Examiner — Robert M Spear

Assistant Examiner — Rhea Shields

(74) *Attorney, Agent, or Firm* — Israel Nissenbaum

(57) **CLAIM**

The ornamental design for an extension cord ruler, as shown and described.

DESCRIPTION

FIG. 1 is a side perspective view of the extension cord ruler, showing my new design;

FIG. 2 is a front elevation view of the extension cord ruler of FIG. 1;

FIG. 3 is a front elevation view of the extension cord ruler of FIG. 2, rotated upwardly by 90°; and,

FIG. 4 is a front elevation view of the extension cord ruler of FIG. 2, rotated downwardly by 90°.

The broken lines depict unclaimed environment with the extending collar adjacent the left side male plug having an unclaimed shape except for a flat surface aligned with the beginning of the ruled section.

The extension cord is shown with a symbolic break in its length. The appearance of any portion of the article between the break lines forms no part of the claimed design.

1 Claim, 2 Drawing Sheets

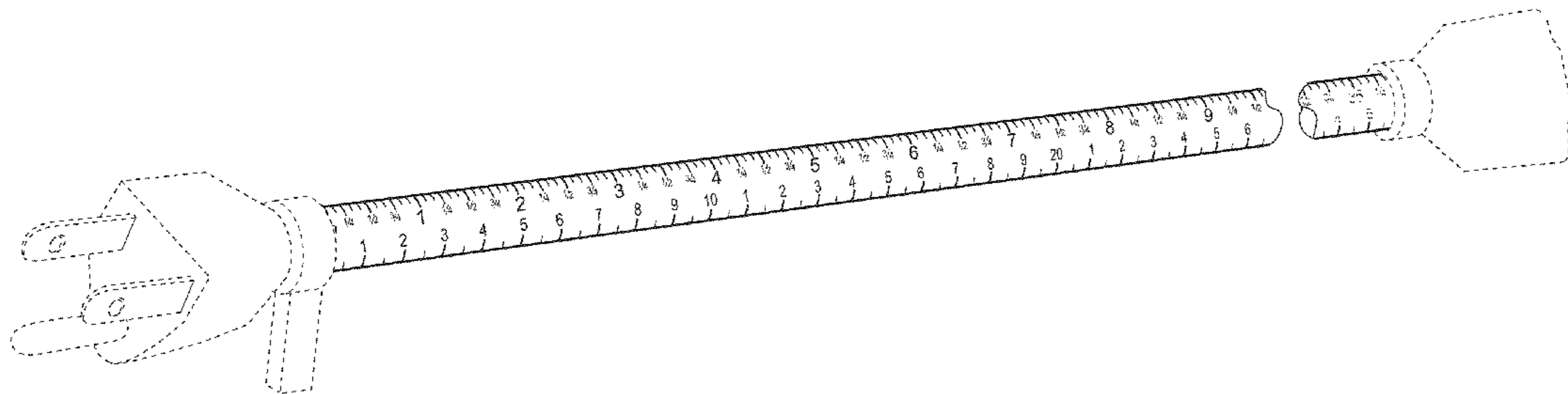


FIG. 1

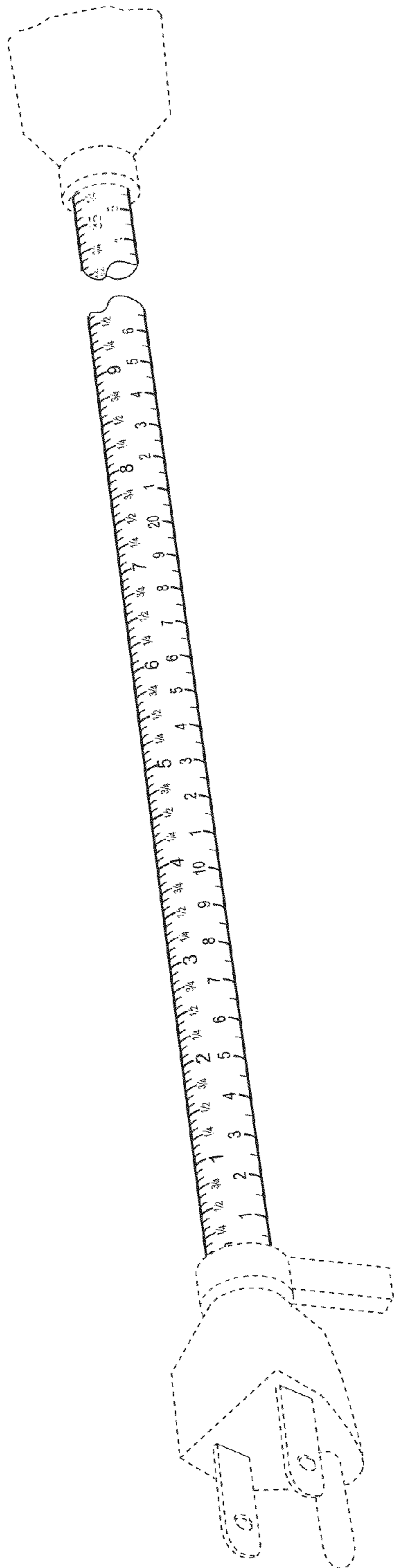


FIG. 2

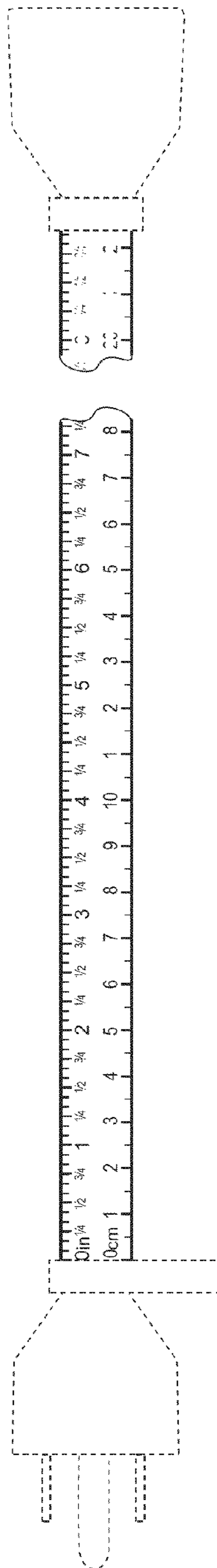


FIG. 3

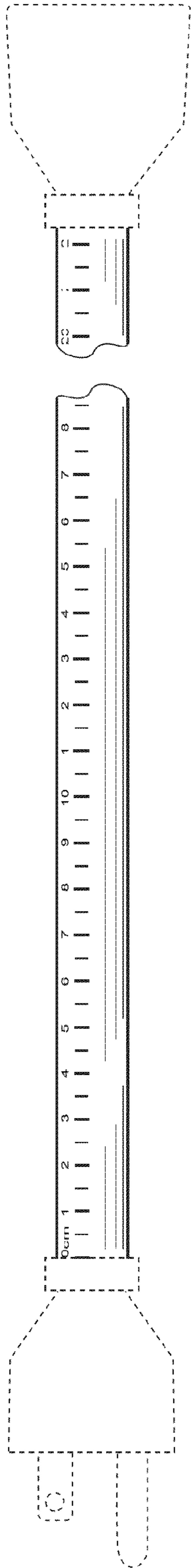


FIG. 4

