



US00D679659S

(12) **United States Design Patent**
Li et al.

(10) **Patent No.:** **US D679,659 S**
(45) **Date of Patent:** **** Apr. 9, 2013**

(54) **RECEPTACLE CONNECTOR**

(75) Inventors: **Yong-Quan Li**, Guang-Dong (CN);
Zhu-Rui Liu, Guang-Dong (CN);
Jui-Ming Chang, New Taipei (TW)

(73) Assignee: **Cheng Uei Precision Industry Co., Ltd.**, New Taipei (TW)

(**) Term: **14 Years**

(21) Appl. No.: **29/400,878**

(22) Filed: **Sep. 1, 2011**

(51) **LOC (9) Cl.** **13-03**

(52) **U.S. Cl.** **D13/147**

(58) **Field of Classification Search** D13/133,
D13/147, 154, 184, 199; 439/79, 108, 180,
439/246, 374, 488, 527, 529, 530, 533, 540.1,
439/541.5, 607.1, 607.4, 607.5, 607.17, 607.25,
439/607.34, 607.41, 607.53, 660, 676, 680,
439/883, 891, 892, 894

See application file for complete search history.

(56) **References Cited**

U.S. PATENT DOCUMENTS

D485,532 S * 1/2004 Lai D13/147
D519,461 S * 4/2006 Su D13/147
D552,554 S * 10/2007 Lin et al. D13/147

D570,784 S * 6/2008 Lin et al. D13/147
D595,657 S * 7/2009 Liu et al. D13/147
D616,828 S * 6/2010 Tung et al. D13/147
2010/0087098 A1 * 4/2010 Sloey et al. 439/660
2011/0053427 A1 * 3/2011 Tung et al. 439/660

* cited by examiner

Primary Examiner — Daniel Bui

(74) *Attorney, Agent, or Firm* — Cheng Ju Chiang

(57) **CLAIM**

The ornamental design for a receptacle connector, as shown and described.

DESCRIPTION

FIG. 1 is a perspective view of a receptacle connector showing our new design;

FIG. 2 is a front elevational view thereof;

FIG. 3 is a rear elevational view thereof;

FIG. 4 is a left side elevational view thereof;

FIG. 5 is a right side elevational view thereof;

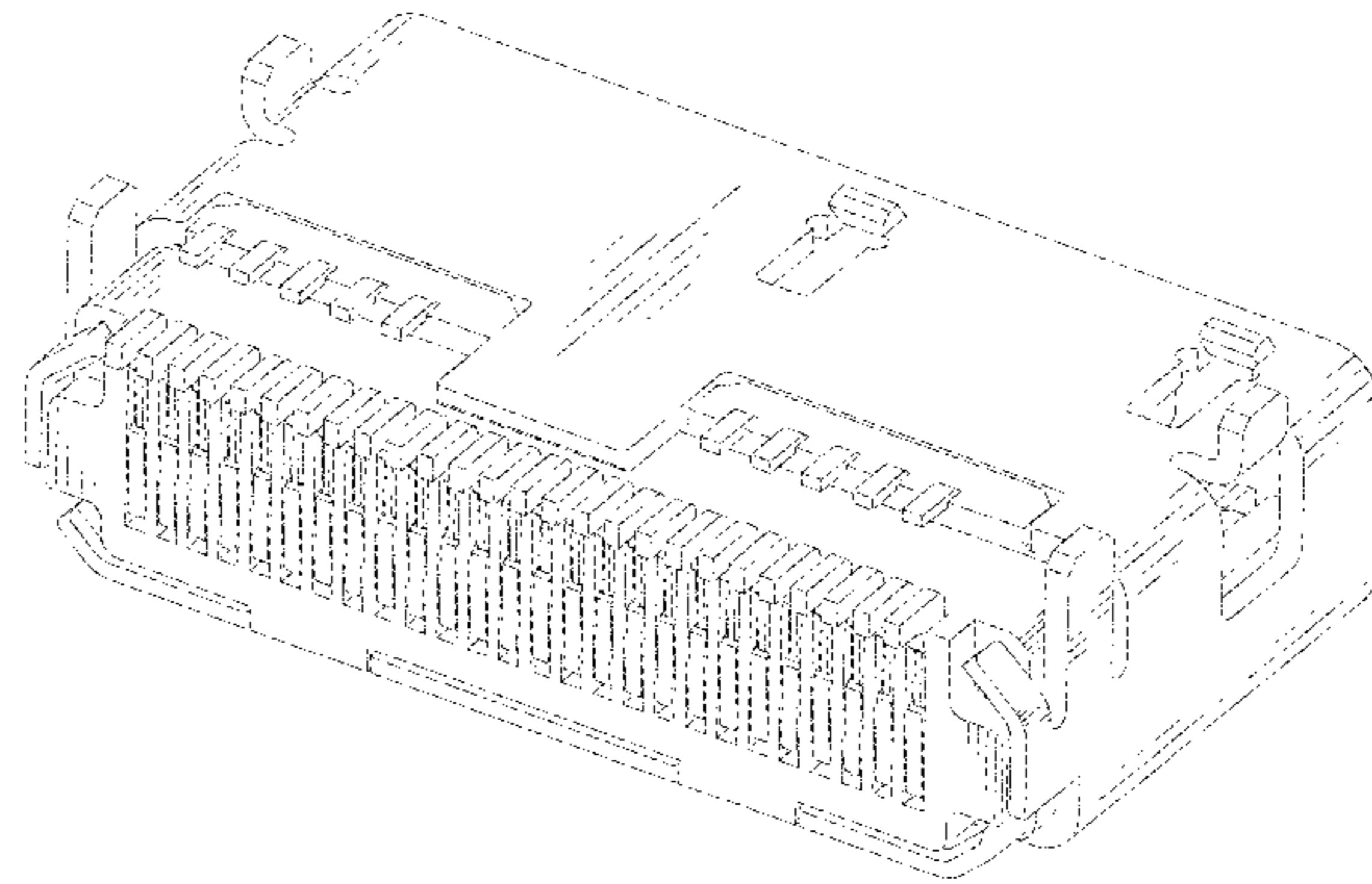
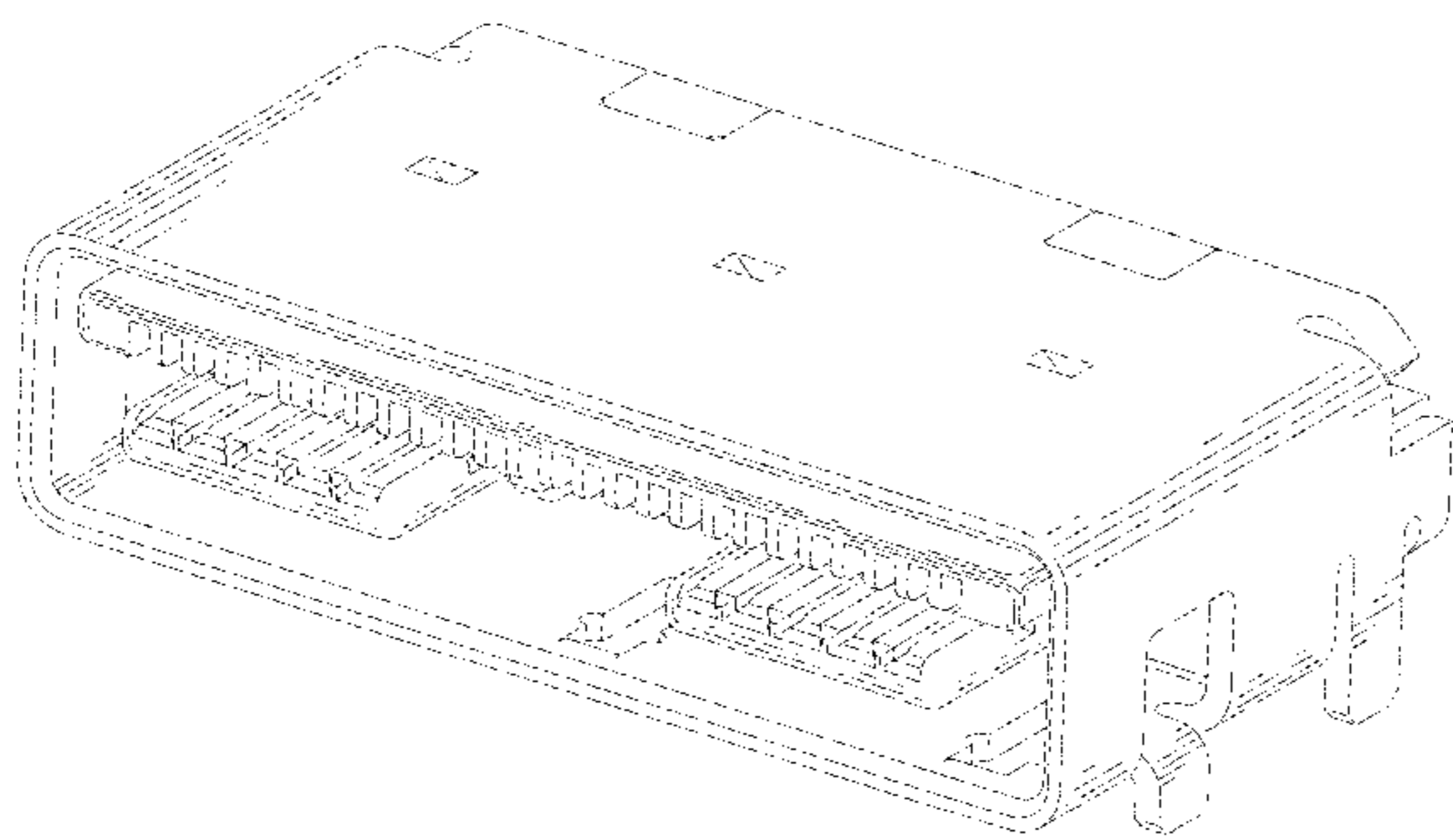
FIG. 6 is a top plan view thereof;

FIG. 7 is a bottom plan view thereof; and,

FIG. 8 is another perspective view of the receptacle connector showing our new design.

The broken line portion of the figure drawings is included to show unclaimed subject matter only and forms no part of the claimed design.

1 Claim, 8 Drawing Sheets



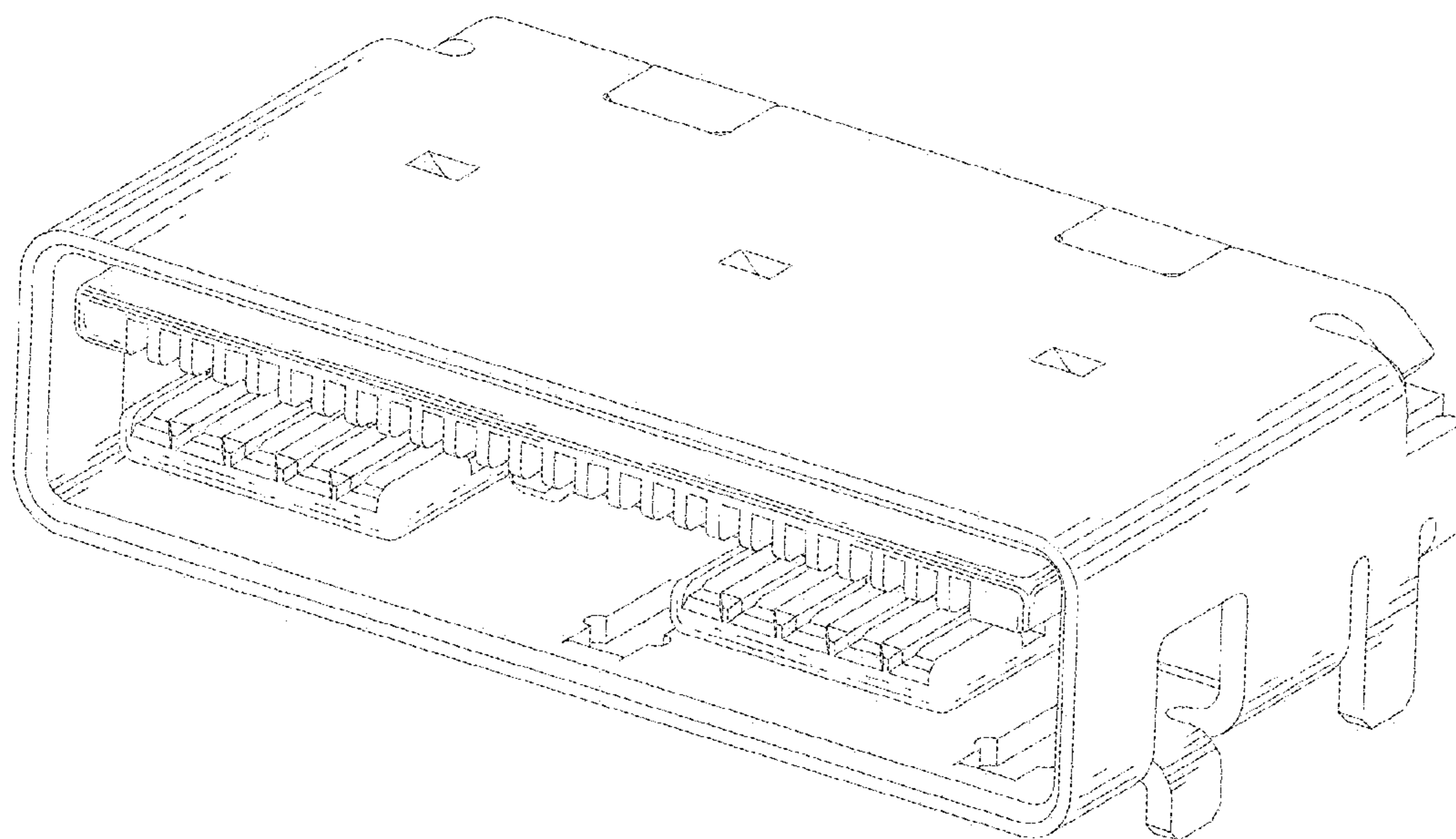


FIG. 1

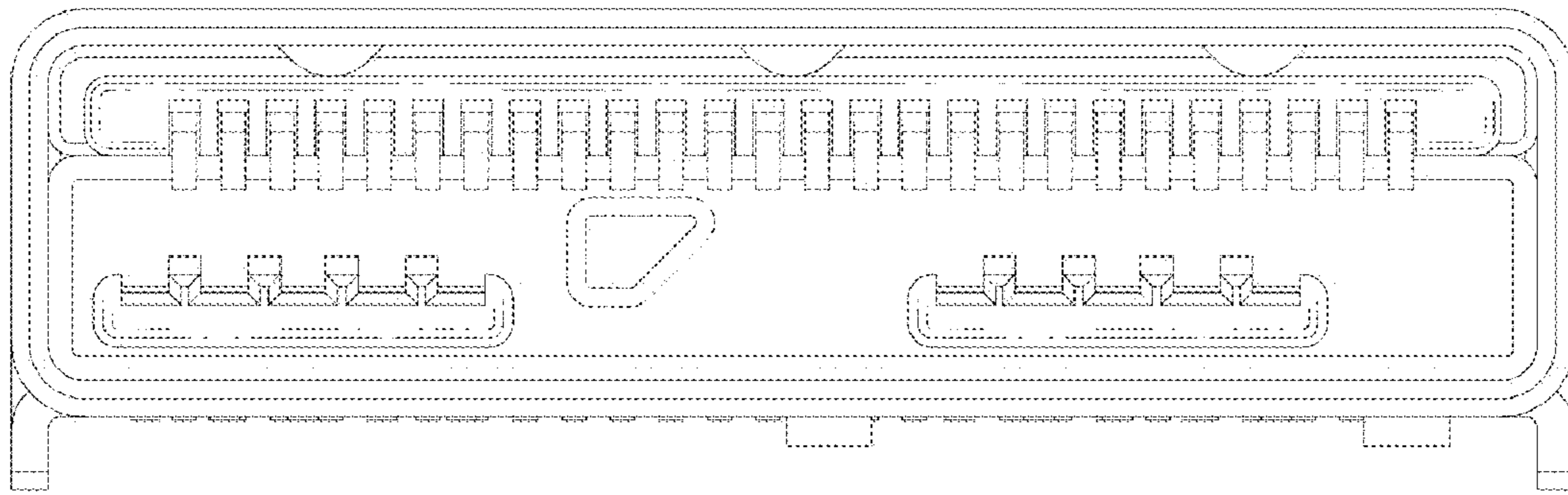


FIG. 2

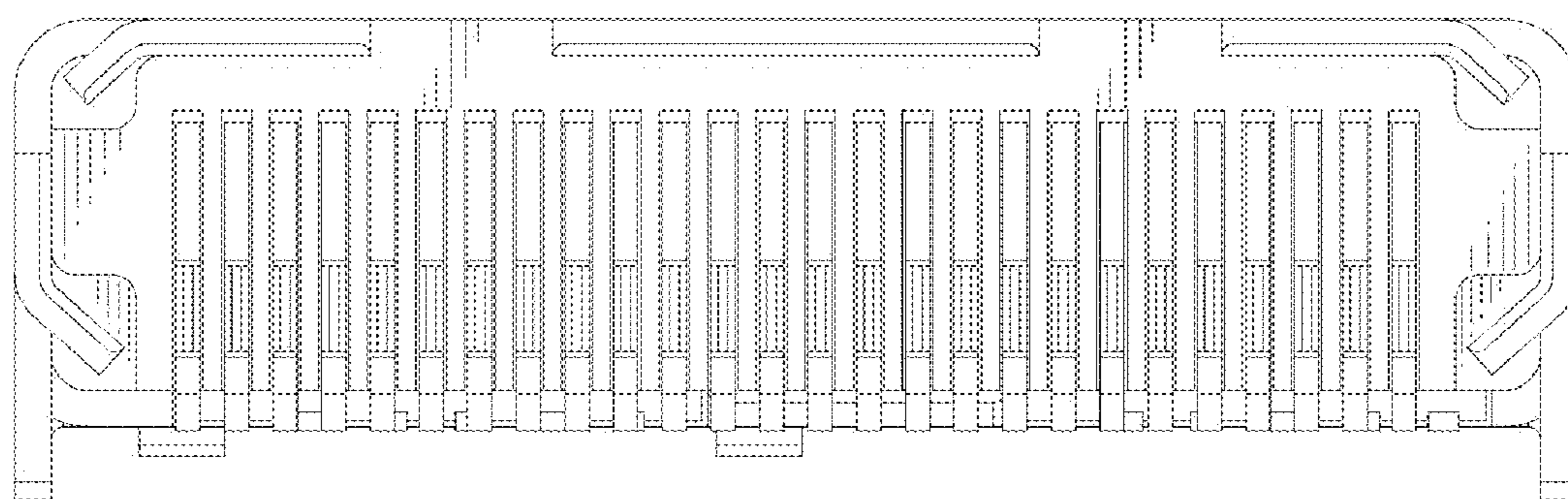


FIG. 3

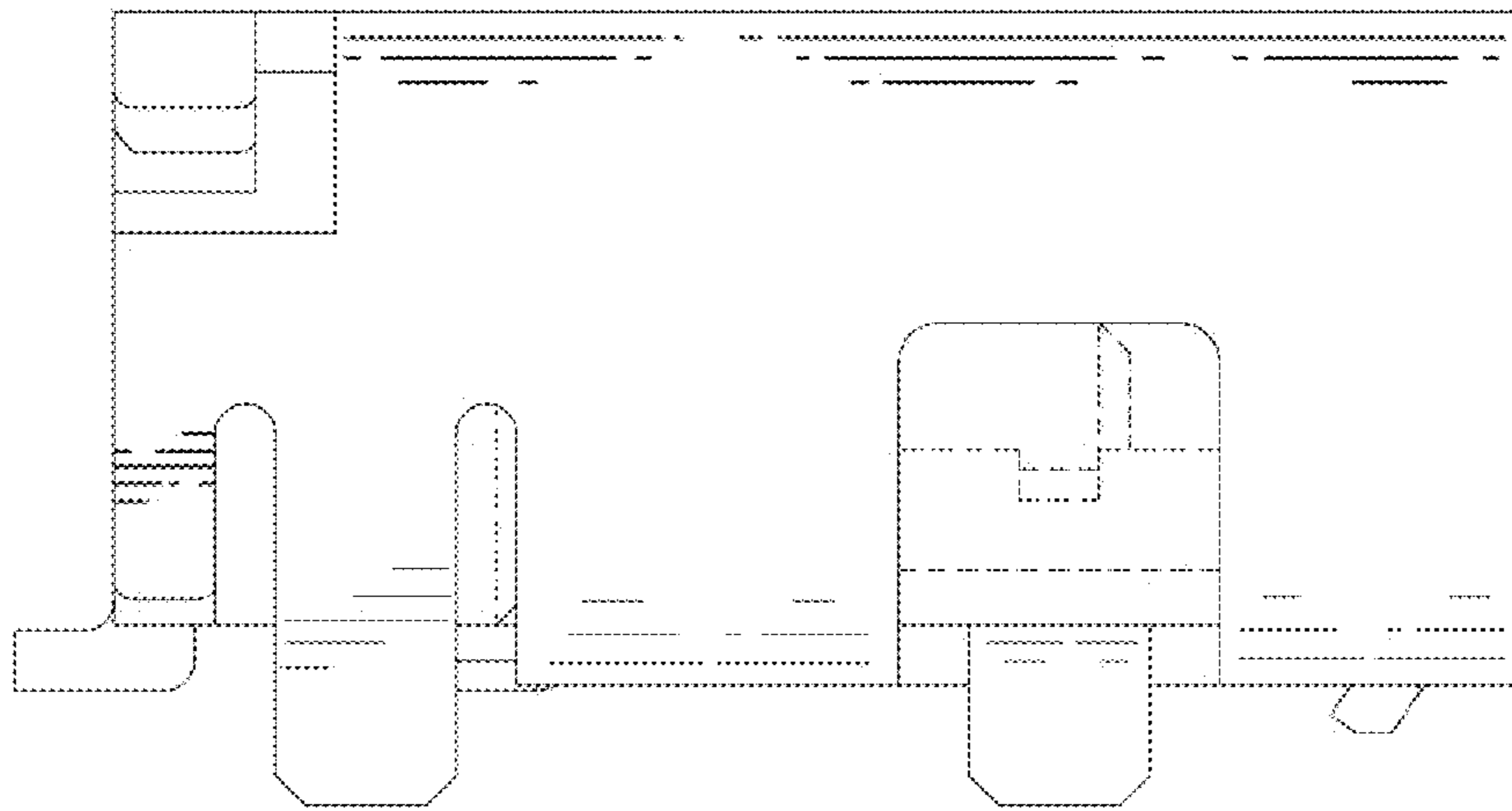


FIG. 4

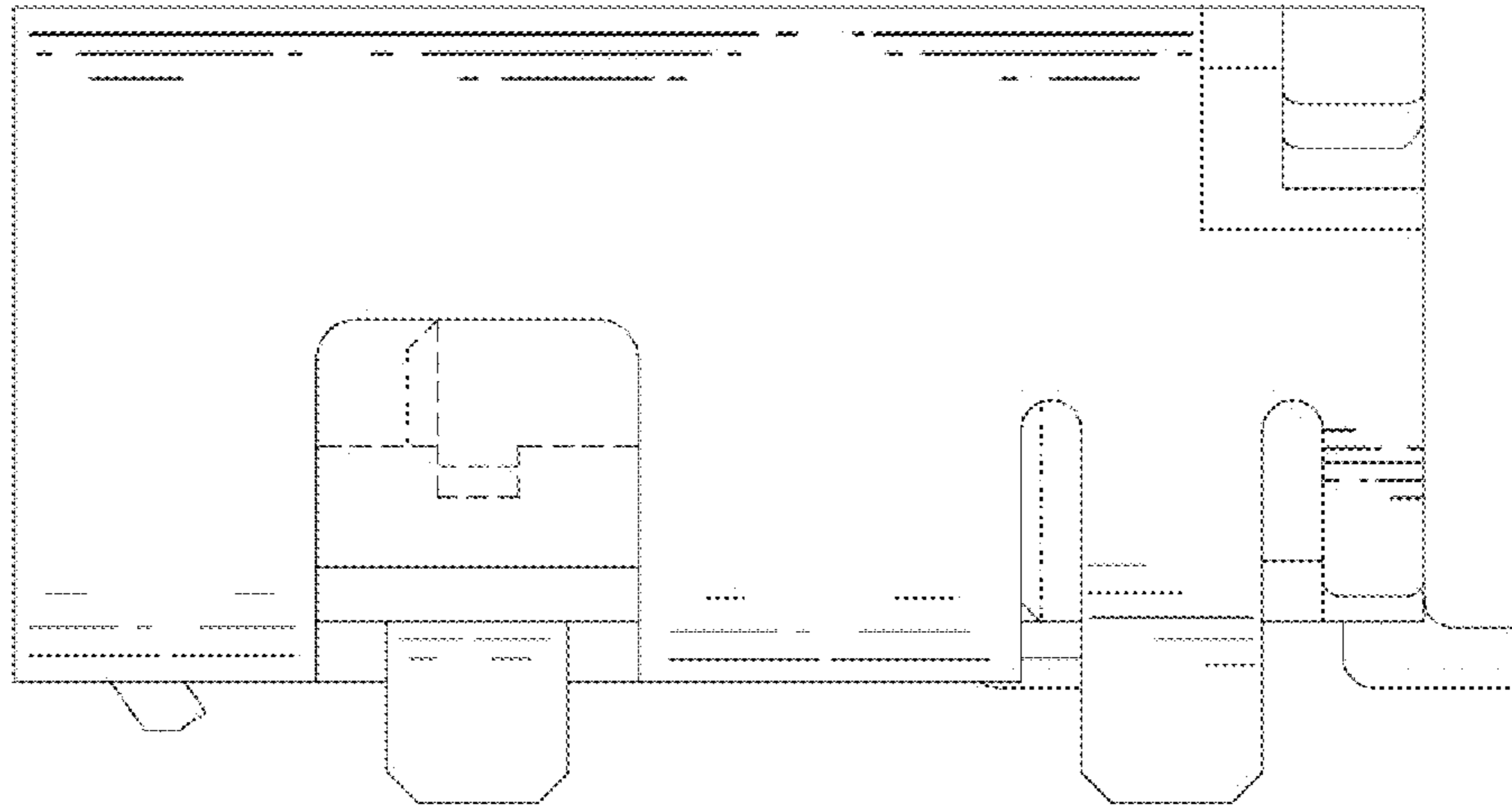


FIG. 5

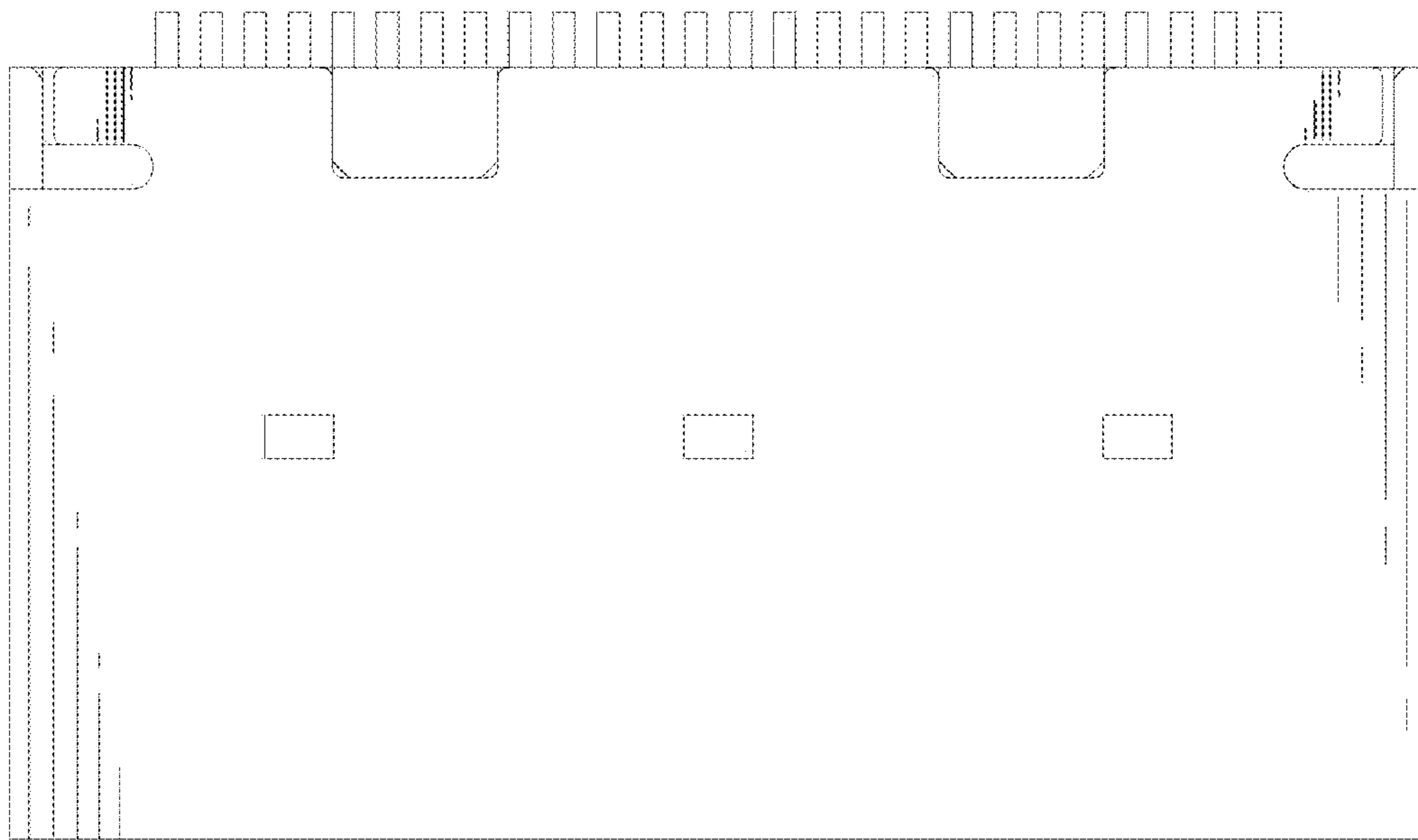


FIG. 6

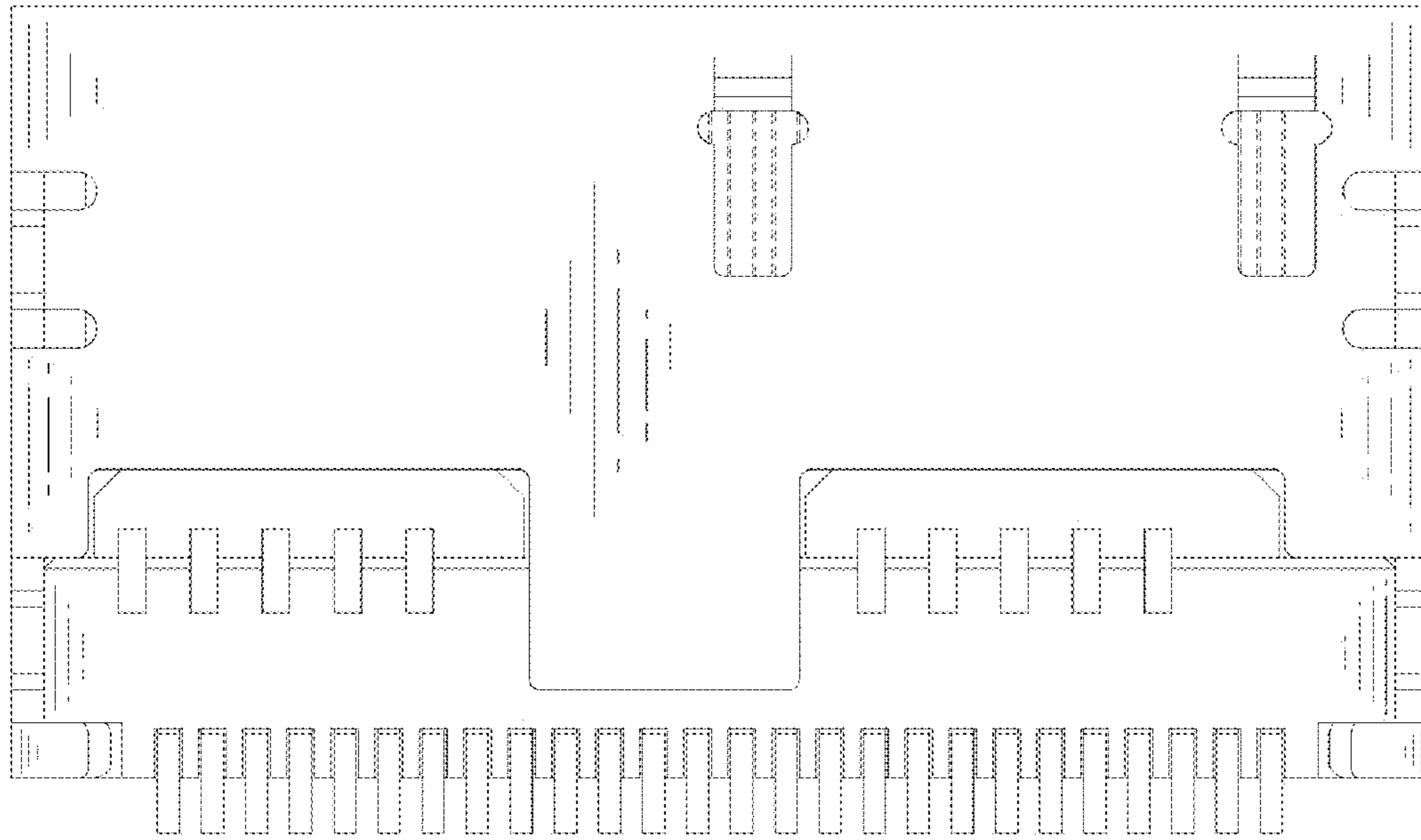


FIG. 7

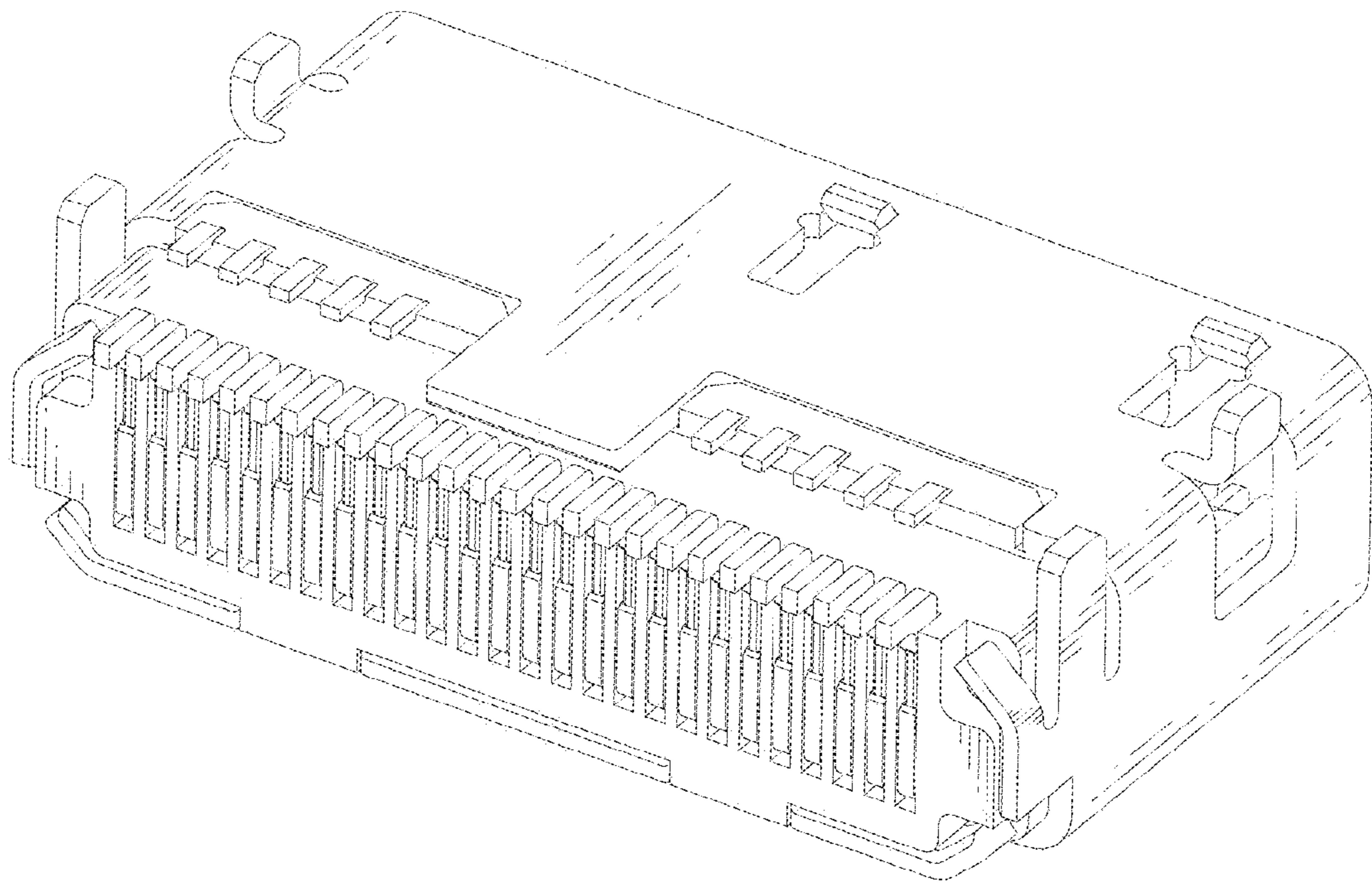


FIG. 8