

US00D679658S

(12) **United States Design Patent**
Richards et al.

(10) **Patent No.:** **US D679,658 S**

(45) **Date of Patent:** **** Apr. 9, 2013**

(54) **TWO-CONNECTOR CABLE**

(75) Inventors: **Christopher F. Richards**, Fountain Hills, AZ (US); **Bradley M. Strahle**, Crestline, CA (US); **Dany Nikolova Paragouteva**, Glendale, CA (US)

(73) Assignee: **Performance Designed Products LLC**, Sherman Oaks, CA (US)

(**) Term: **14 Years**

(21) Appl. No.: **29/396,416**

(22) Filed: **Jun. 29, 2011**

(51) **LOC (9) Cl.** **13-03**

(52) **U.S. Cl.**
USPC **D13/147**

(58) **Field of Classification Search** D13/133,
D13/146, 147, 153, 154, 156, 184, 199; 439/180,
439/207, 210, 246, 278, 374, 376, 445-447,
439/476.1, 527, 529, 533, 623, 892, 894,
439/954

See application file for complete search history.

(56) **References Cited**

U.S. PATENT DOCUMENTS

D330,192 S * 10/1992 Holland et al. D13/153
D515,511 S * 2/2006 Nishio et al. D13/147

D561,112 S * 2/2008 Victor D13/154
D586,753 S * 2/2009 Diamond et al. D13/147
D635,930 S * 4/2011 Li et al. D13/147
D661,650 S * 6/2012 Auge et al. D13/133

* cited by examiner

Primary Examiner — Daniel Bui

(74) *Attorney, Agent, or Firm* — Sheppard Mullin Richter & Hampton LLP

(57) **CLAIM**

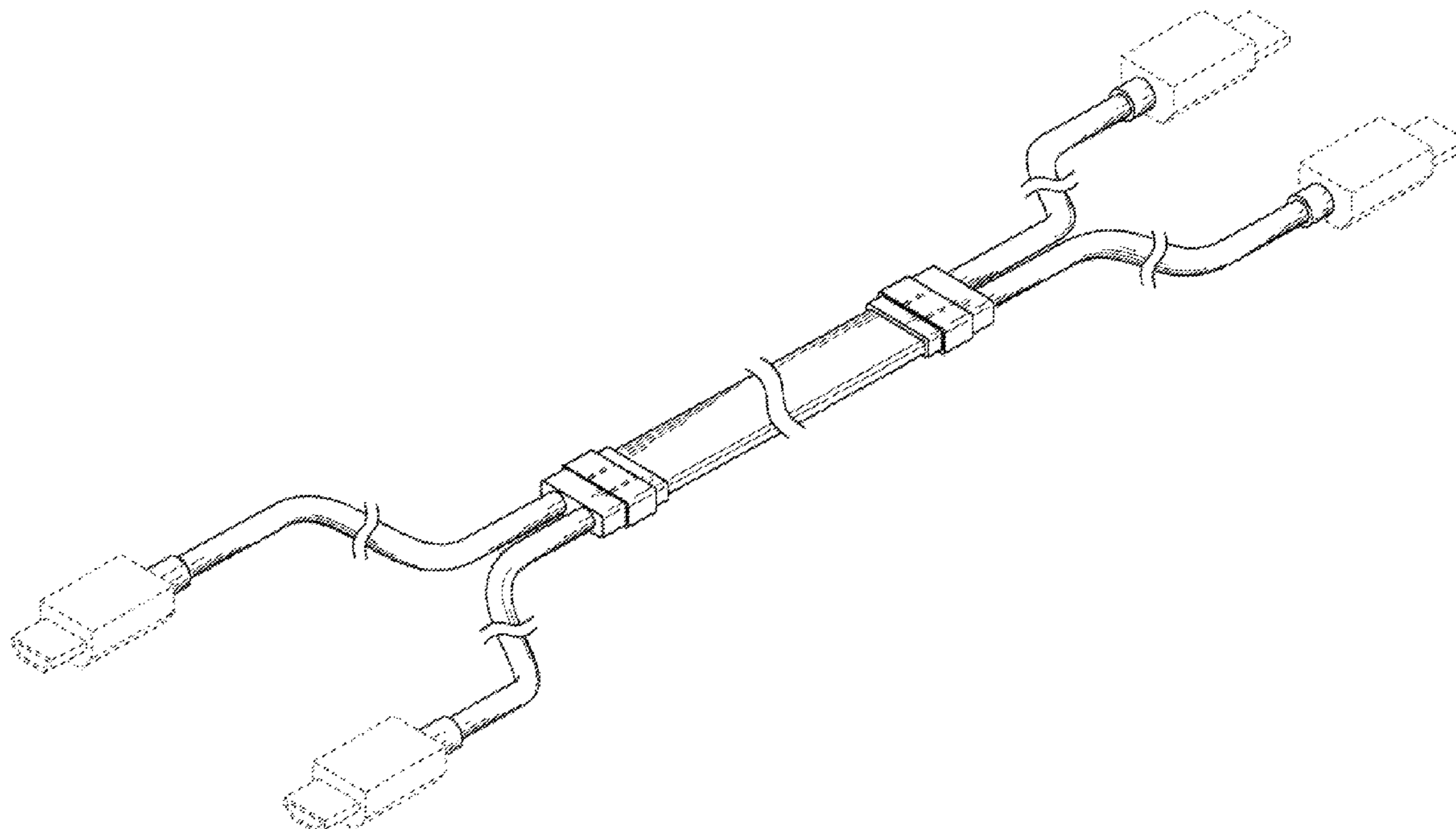
We claim the ornamental design for a two-connector cable, as shown and described.

DESCRIPTION

FIG. 1 is a perspective view of a two-connector cable embodying our new design;
FIG. 2 is a front elevation view thereof;
FIG. 3 is a rear elevation view thereof;
FIG. 4 is a side elevation view thereof;
FIG. 5 is another side elevation view thereof;
FIG. 6 is top view thereof; and,
FIG. 7 is bottom view thereof.

The broken line in the figure drawings is included for the purpose of illustrating environment and forms no part of the claimed design.

1 Claim, 3 Drawing Sheets



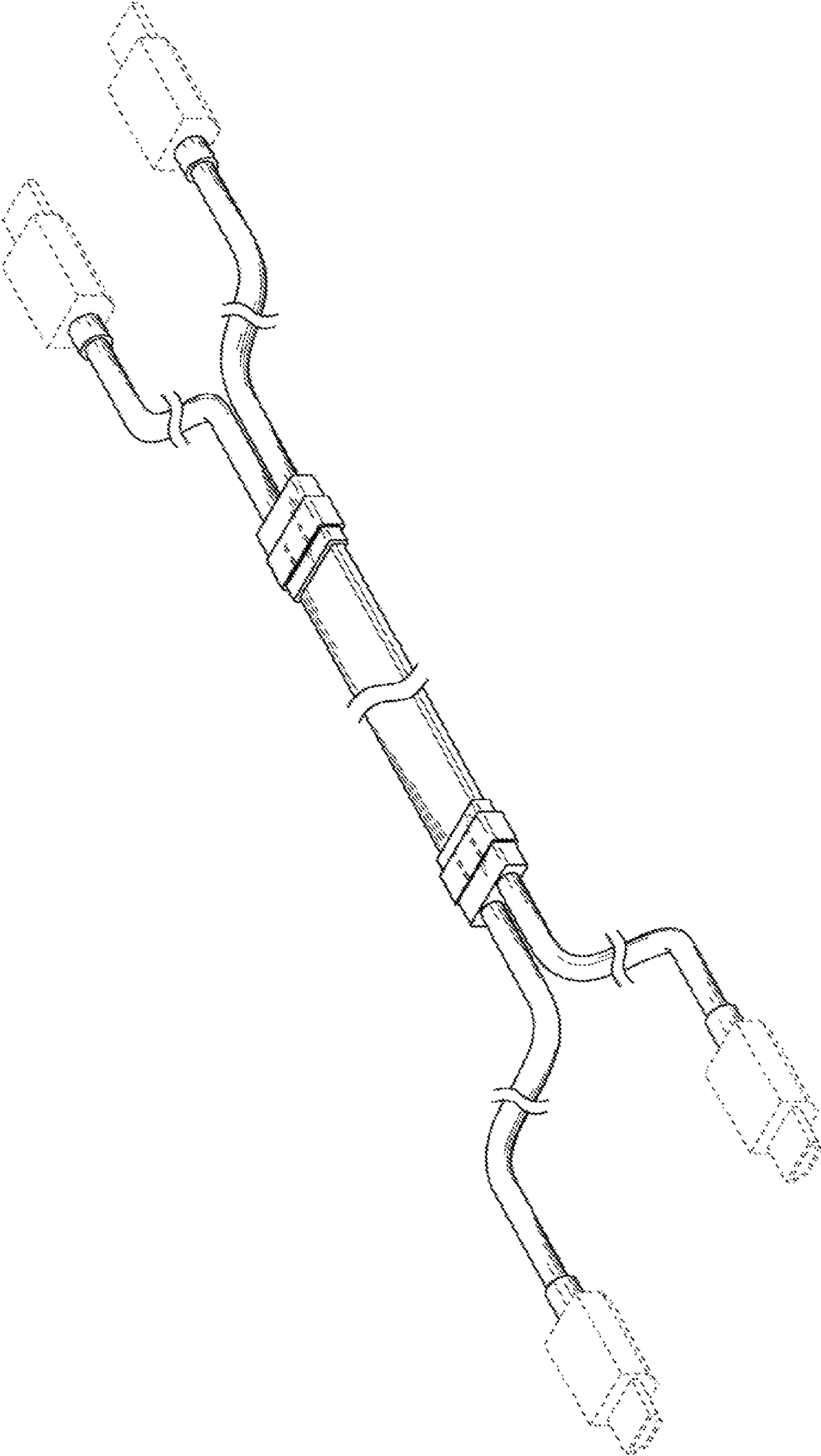


FIG. 1



FIG. 2



FIG. 3



FIG. 4



FIG. 5

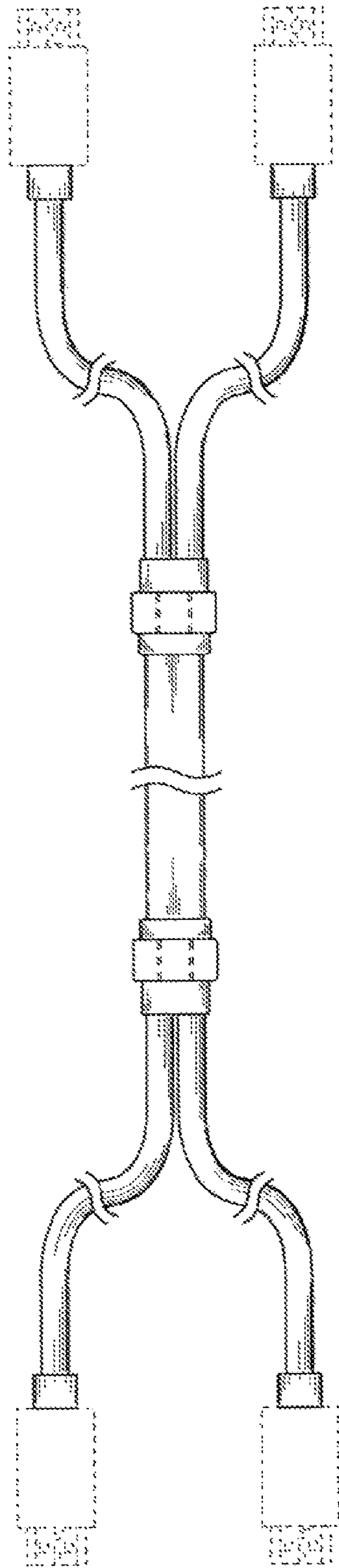


FIG. 6

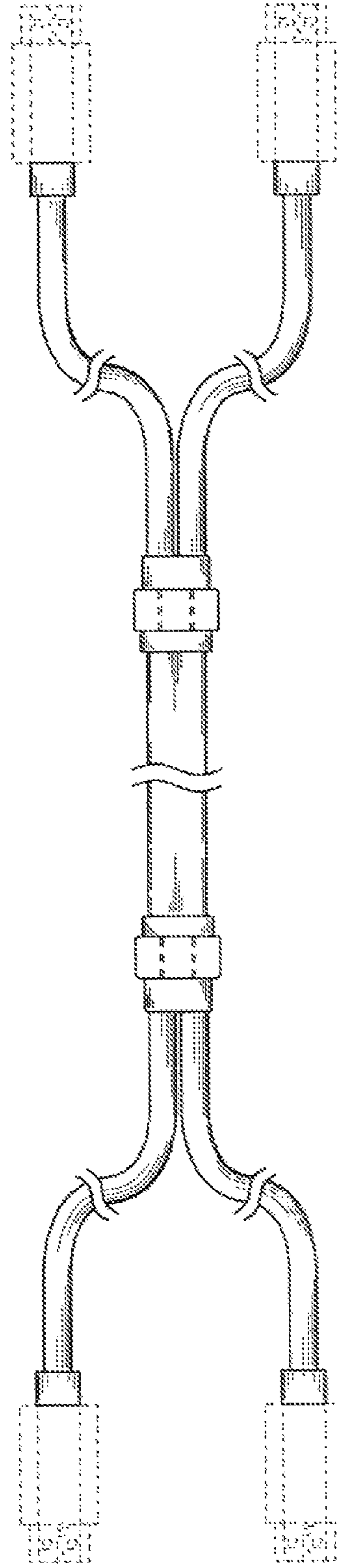


FIG. 7