



US00D679655S

(12) **United States Design Patent**  
**Lin**

(10) **Patent No.:** **US D679,655 S**

(45) **Date of Patent:** **\*\* Apr. 9, 2013**

(54) **CABLE CONNECTOR ASSEMBLY**

(76) Inventor: **Chia-Ching Lin**, Taipei (TW)

(\*\*) Term: **14 Years**

(21) Appl. No.: **29/387,716**

(22) Filed: **Mar. 17, 2011**

(51) **LOC (9) Cl.** ..... **13-03**

(52) **U.S. Cl.** ..... **D13/147**

(58) **Field of Classification Search** ..... D13/133,  
D13/146, 147, 154, 184, 199; 439/79, 248,  
439/258, 274, 350, 352, 353, 354, 357, 358,  
439/374, 447, 476.1, 594, 598, 607.01, 607.04,  
439/607.05, 607.17, 607.25, 607.34, 607.41,  
439/607.53, 656, 660, 668, 680, 711, 745,  
439/752

See application file for complete search history.

(56) **References Cited**

**U.S. PATENT DOCUMENTS**

D416,233 S \* 11/1999 Tsai ..... D13/153  
D416,869 S \* 11/1999 Tsai ..... D13/153

D473,848 S \* 4/2003 Zheng et al. .... D13/147  
D484,094 S \* 12/2003 Xiao ..... D14/435.1  
D513,735 S \* 1/2006 Nishio et al. .... D13/147

\* cited by examiner

*Primary Examiner* — Daniel Bui

(74) *Attorney, Agent, or Firm* — Li & Cai Intellectual Property (USA) Office

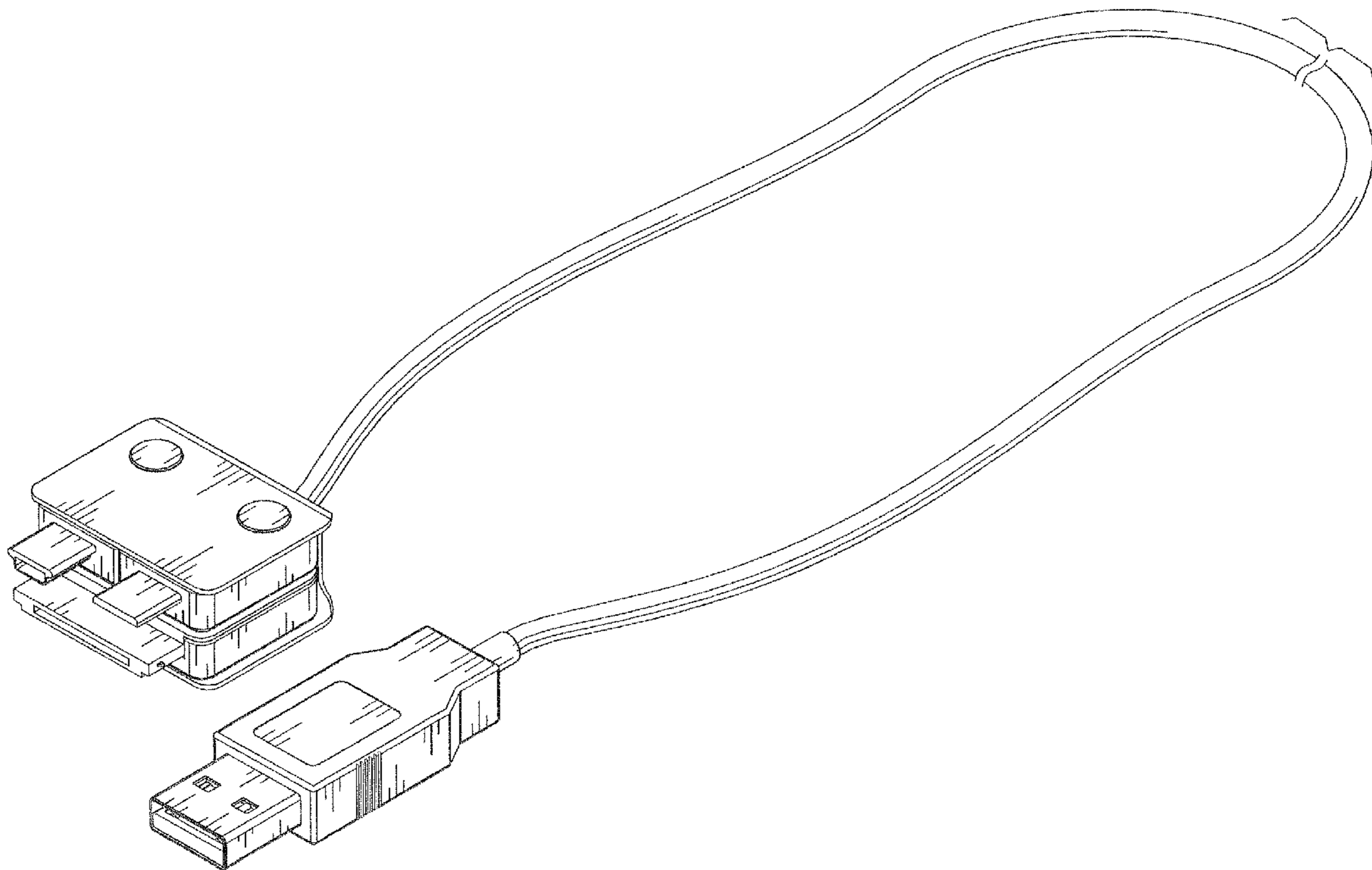
(57) **CLAIM**

The ornamental design for a “cable connector assembly,” as shown and described.

**DESCRIPTION**

FIG. 1 is a perspective view of a “cable connector assembly” showing my new design;  
FIG. 2 is a front view thereof;  
FIG. 3 is a rear view thereof;  
FIG. 4 is a left side view thereof;  
FIG. 5 is a right side view thereof;  
FIG. 6 is a top view thereof;  
FIG. 7 is a bottom view thereof; and,  
FIG. 8 is a perspective view showing the practical usage thereof.

**1 Claim, 6 Drawing Sheets**



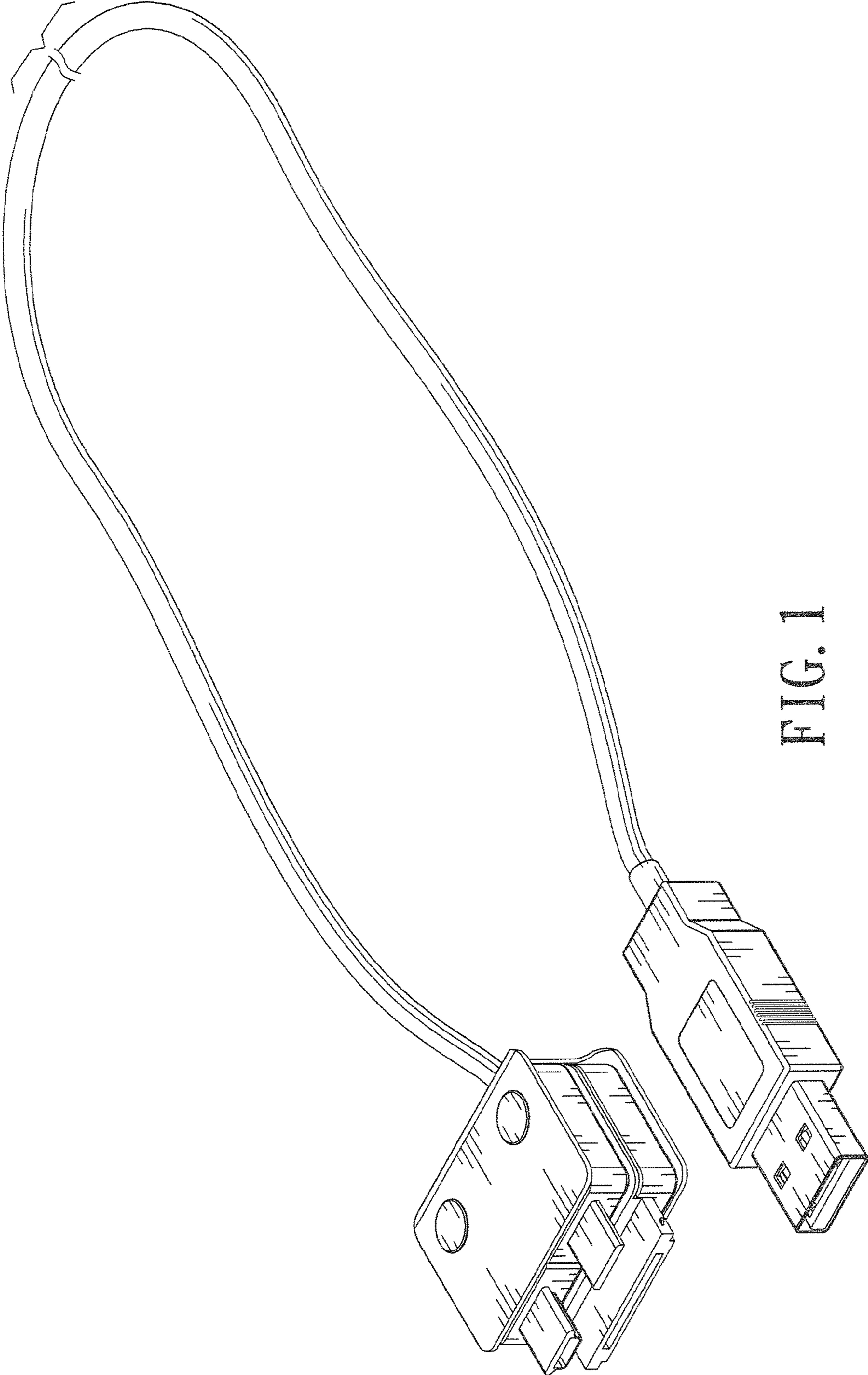


FIG. 1

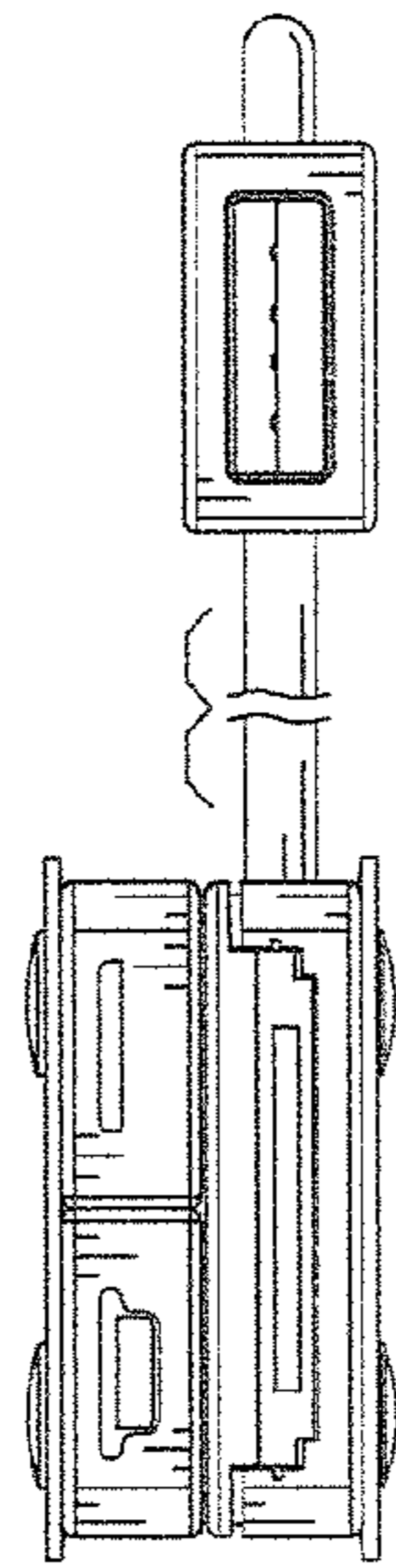


FIG. 2

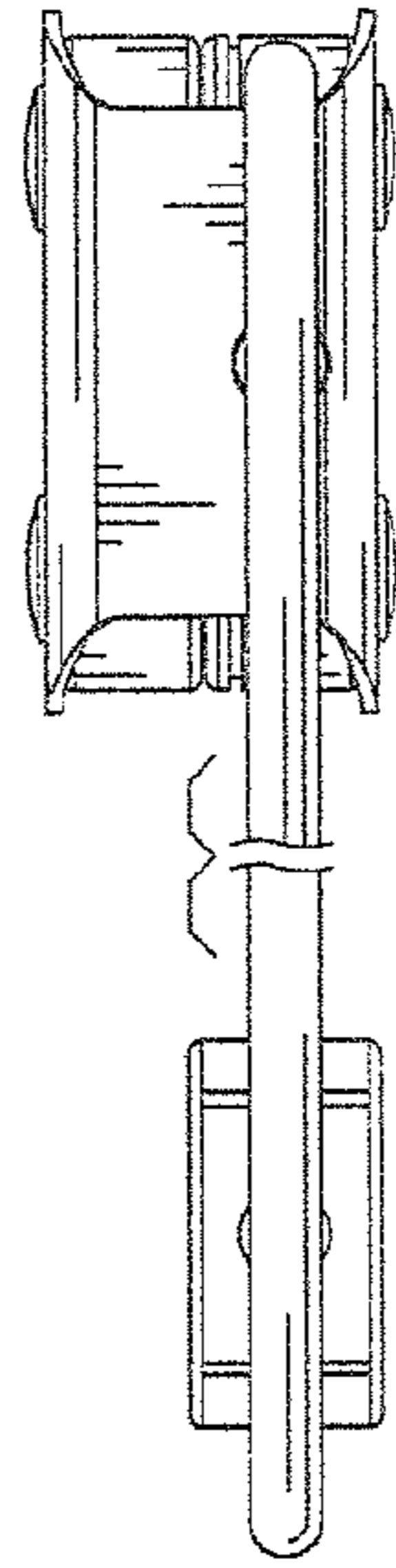


FIG. 3

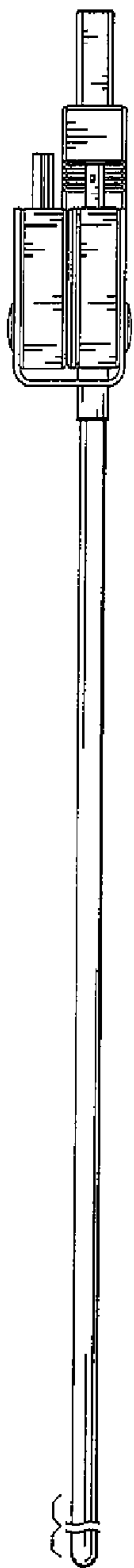


FIG. 4

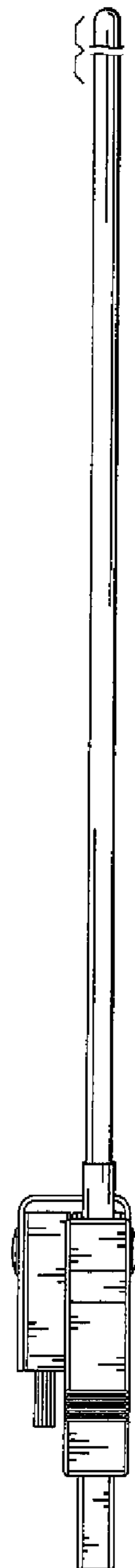


FIG. 5

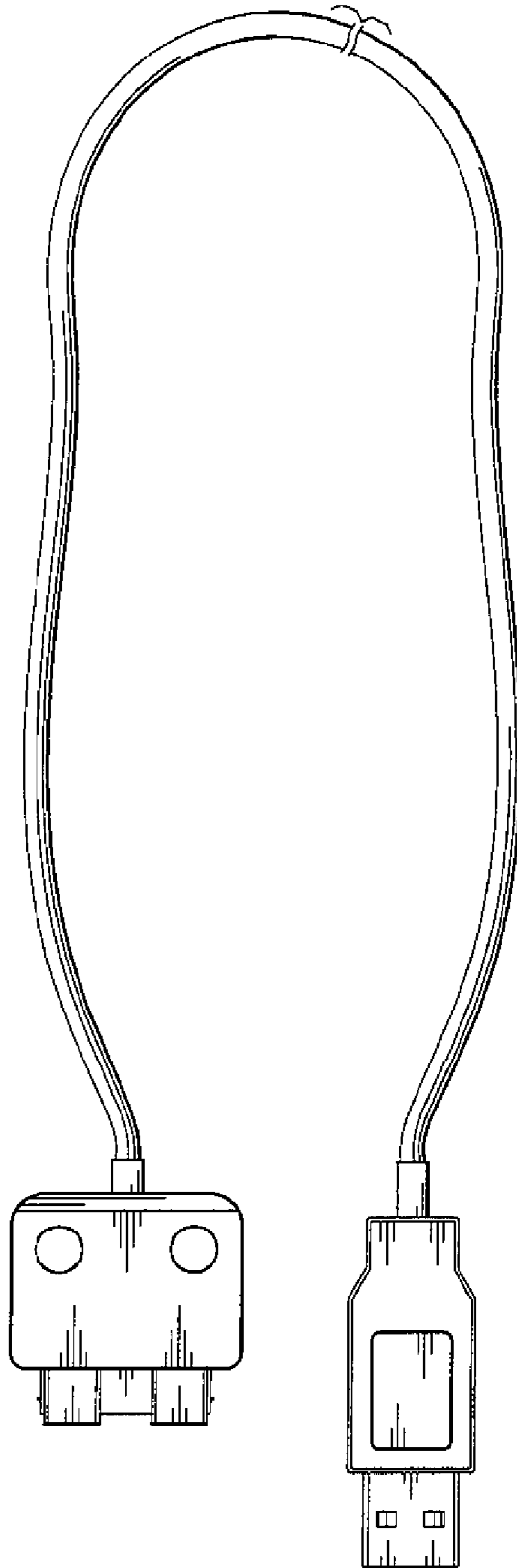


FIG. 6

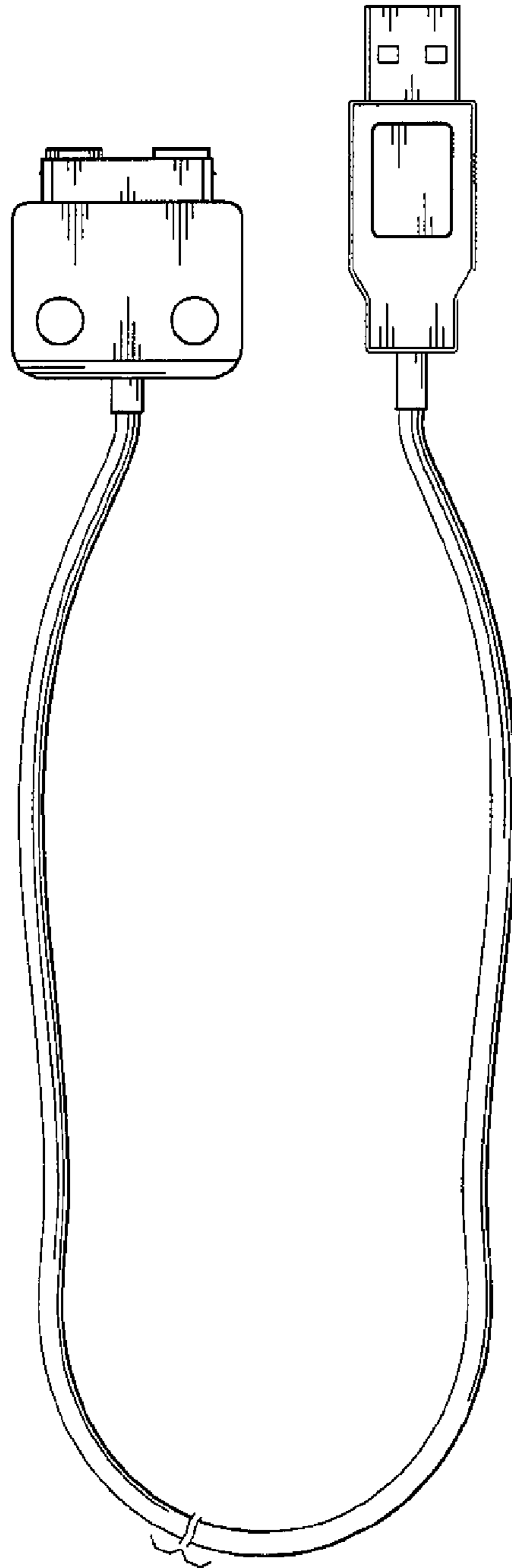


FIG. 7



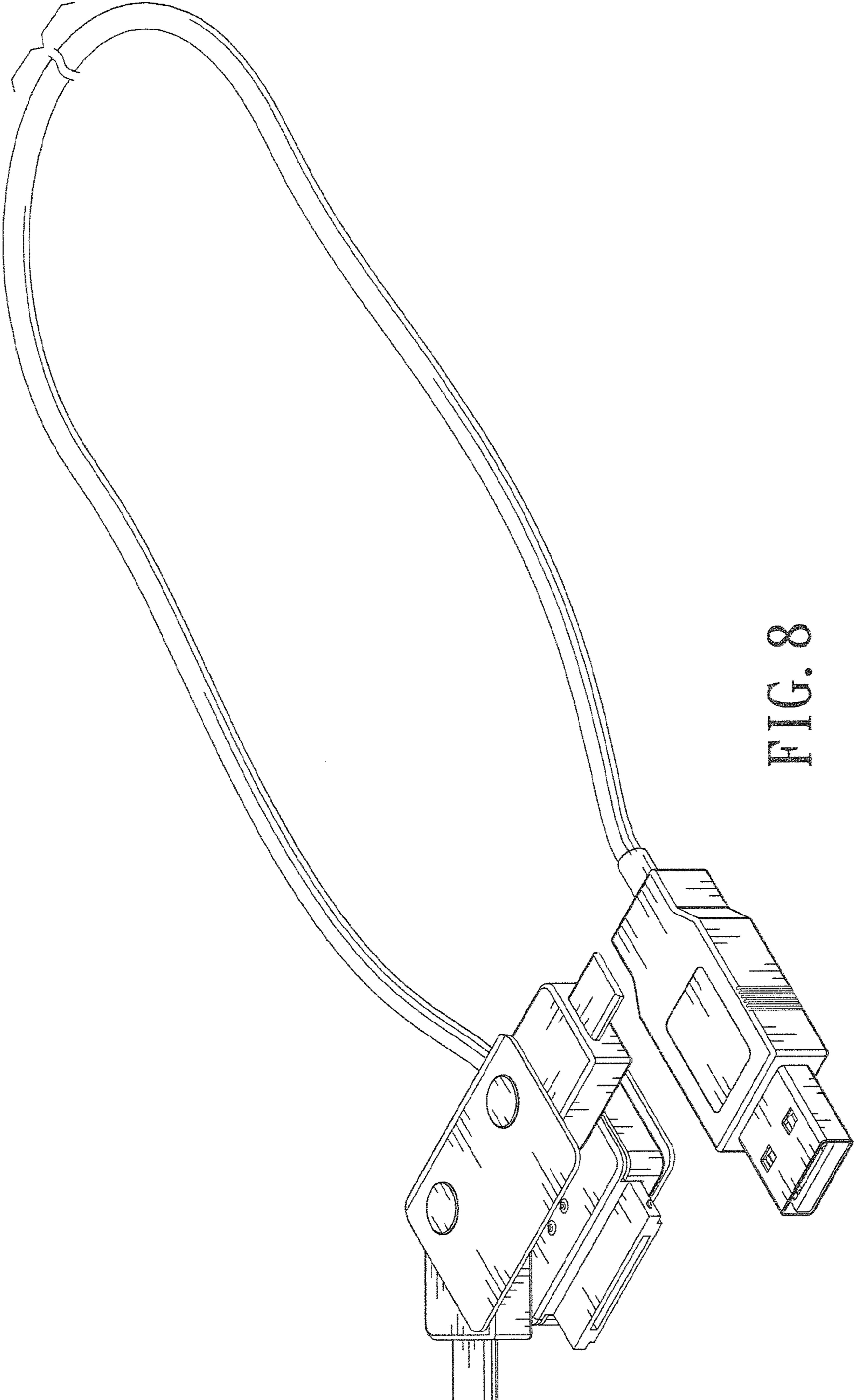


FIG. 8