



US00D679654S

(12) **United States Design Patent**
Wu

(10) **Patent No.:** **US D679,654 S**

(45) **Date of Patent:** **** Apr. 9, 2013**

(54) **E12 SOCKET FOR LIGHT BULBS**

(76) Inventor: **Jingqing Wu**, Huizhou (CN)

(**) Term: **14 Years**

(21) Appl. No.: **29/393,756**

(22) Filed: **Jun. 9, 2011**

(30) **Foreign Application Priority Data**

Jan. 28, 2011 (CN) 2011 3 0018792

(51) **LOC (9) Cl.** **13-03**

(52) **U.S. Cl.**
USPC **D13/134**

(58) **Field of Classification Search** D13/133-136,
D13/151, 154, 158, 162, 165, 184, 199; 439/11,
439/131, 226, 236, 256, 300, 336, 456, 534,
439/602, 614, 642, 667; D26/2, 24, 26, 3,
D26/60, 61, 106, 113; 362/103, 105, 260,
362/430, 581, 651; 713/600; 361/600; 315/56,
315/58, 159, 194, 272, 274, 291, 309, 360,
315/361, 362; 313/318.01, 318.12; 307/147;
250/227.21, 238, 239; 200/51.04, 51.14,
200/51 R; D10/104, 106, 110
See application file for complete search history.

(56) **References Cited**

U.S. PATENT DOCUMENTS

5,320,553 A * 6/1994 Ogawa et al. 439/336
5,380,214 A * 1/1995 Ortega, Jr. 439/253

D367,260 S * 2/1996 Yarmark D13/134
5,518,425 A * 5/1996 Tsai 439/660
6,056,575 A * 5/2000 Sato et al. 439/336
6,186,822 B1 * 2/2001 Yang 439/457
6,322,380 B1 * 11/2001 Conroy 439/188
6,768,072 B1 * 7/2004 Yang 200/329
D542,735 S * 5/2007 Keilholz et al. D13/134
D593,948 S * 6/2009 Biery et al. D13/134
7,568,951 B1 * 8/2009 Tseng 439/619
2006/0286850 A1 * 12/2006 Yang 439/457
2009/0215316 A1 * 8/2009 Tseng 439/619

* cited by examiner

Primary Examiner — Thomas Johannes

(57) **CLAIM**

The ornamental design for an E12 socket for light bulbs, as shown and described.

DESCRIPTION

FIG. 1 is a front view of an E12 socket for light bulbs showing my new design;
FIG. 2 is a rear view thereof;
FIG. 3 is a right view thereof;
FIG. 4 is an enlarged top view thereof;
FIG. 5 is an enlarged bottom view thereof; and,
FIG. 6 is a perspective view thereof.
The broken line portion of the figure drawing is included to show unclaimed subject matter only and forms no part of the claimed design.

1 Claim, 6 Drawing Sheets

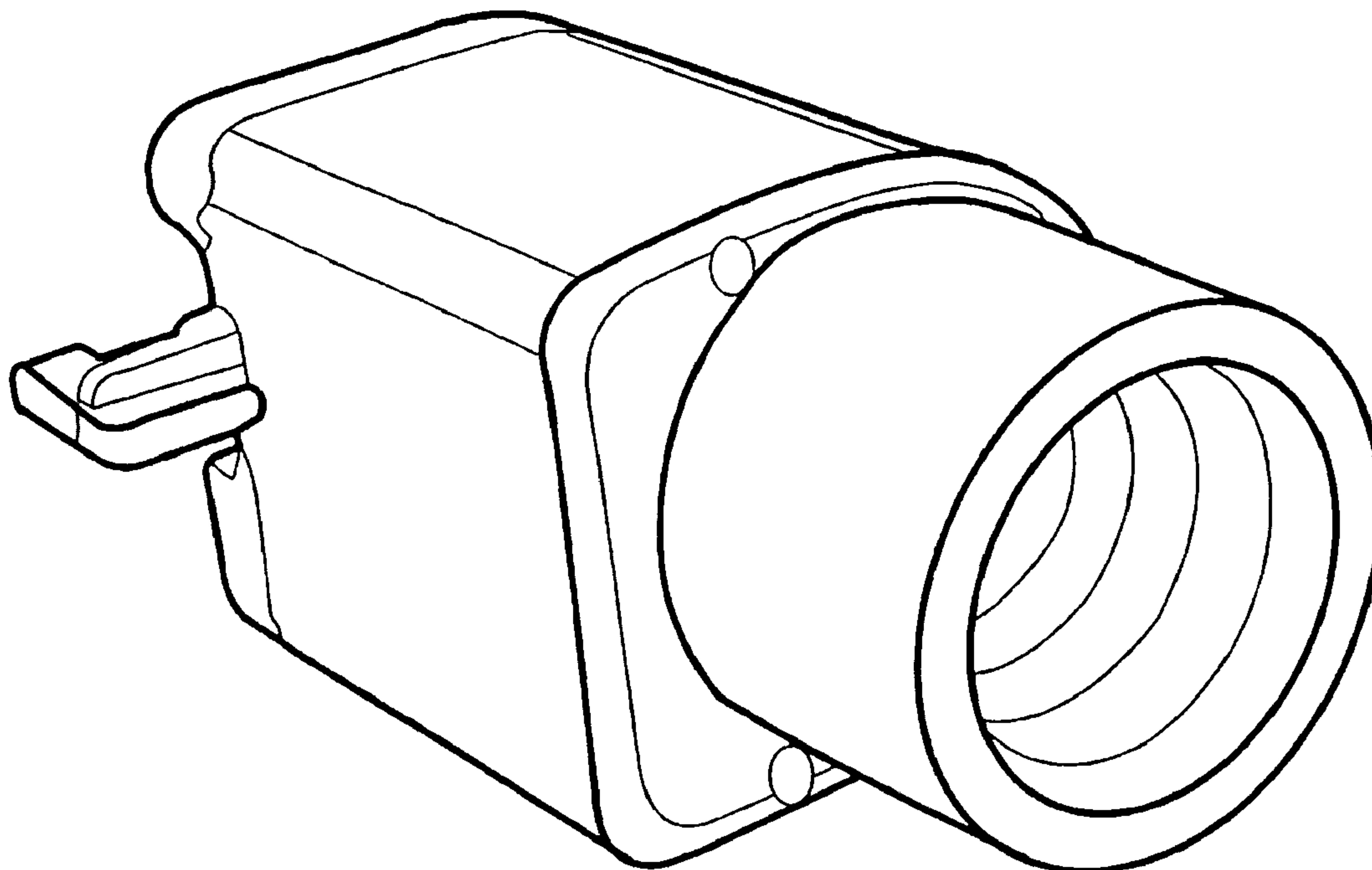


FIG. 1

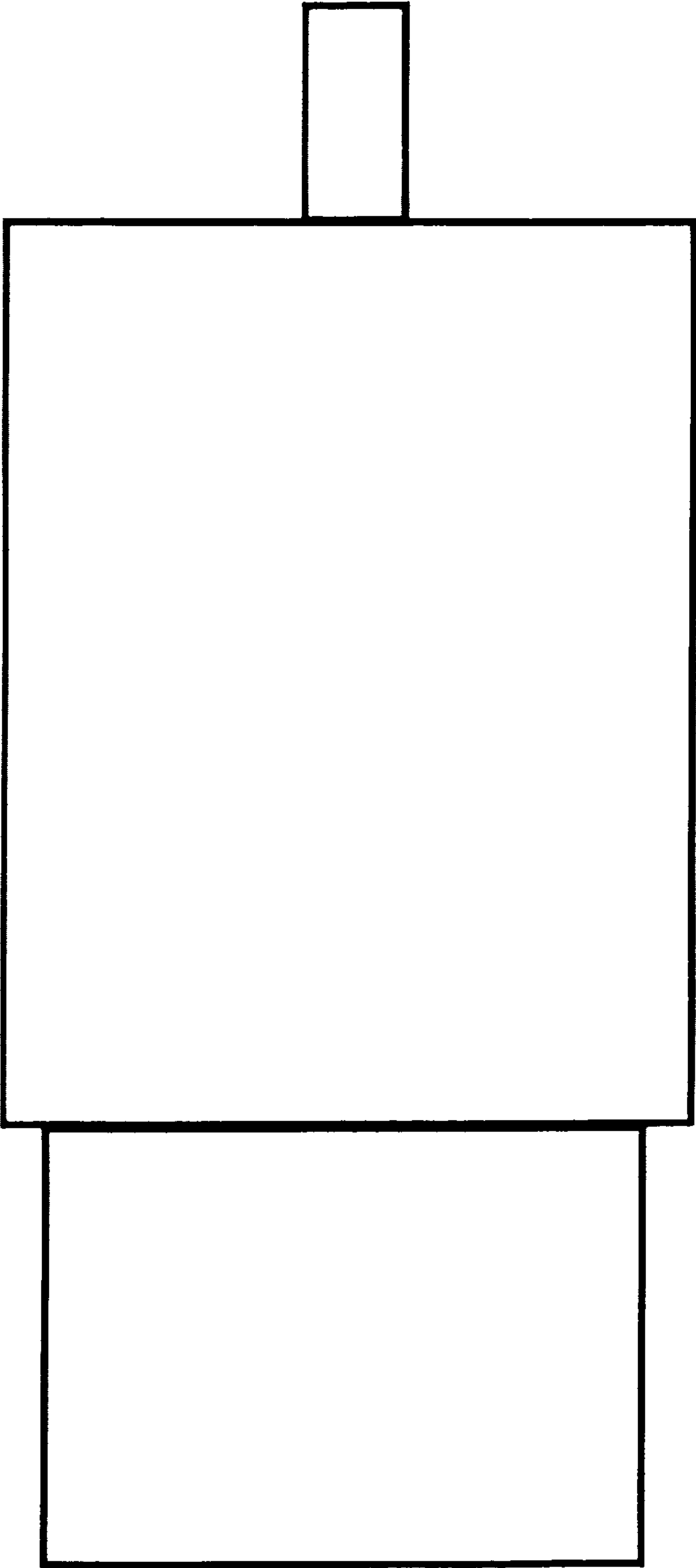


FIG.2

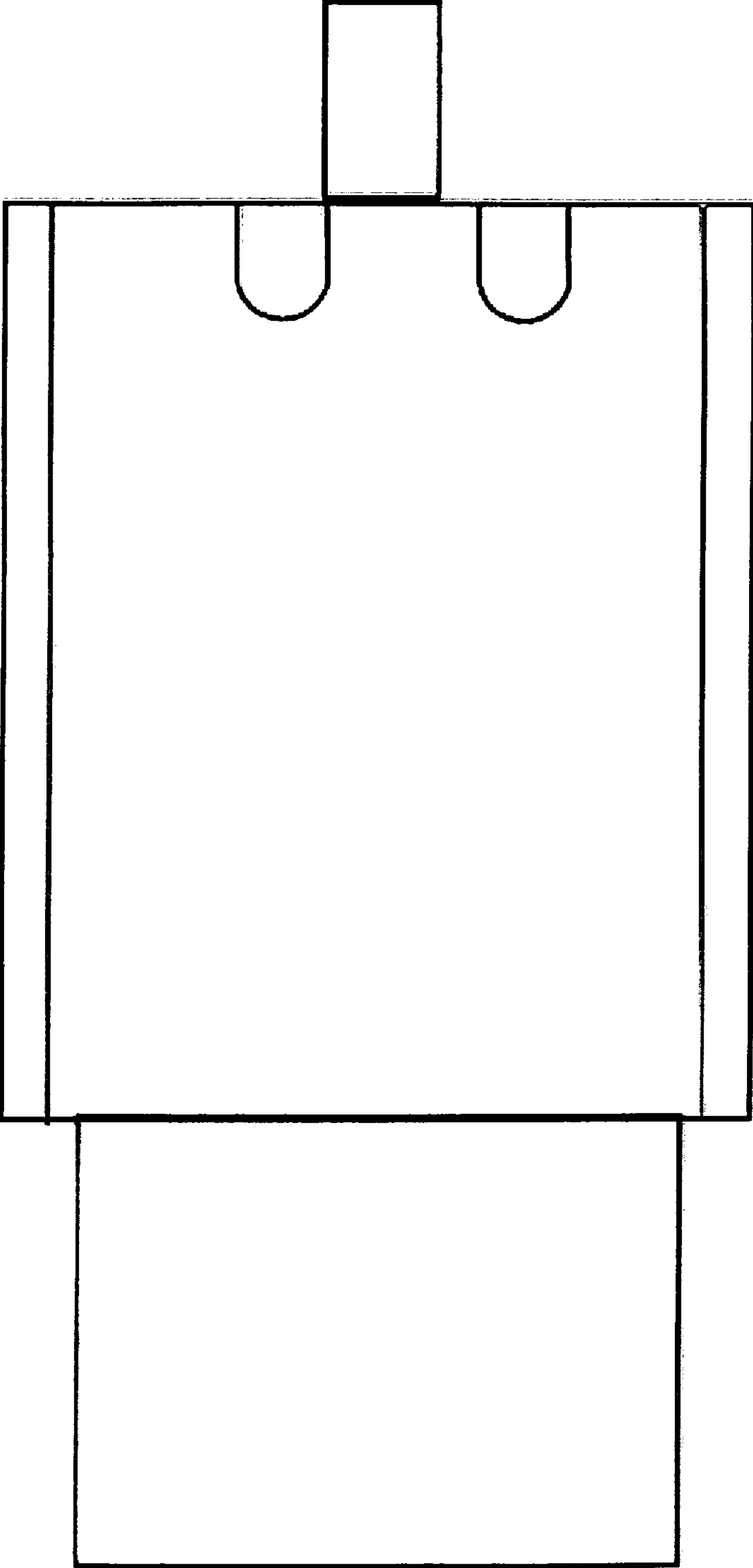


FIG.3

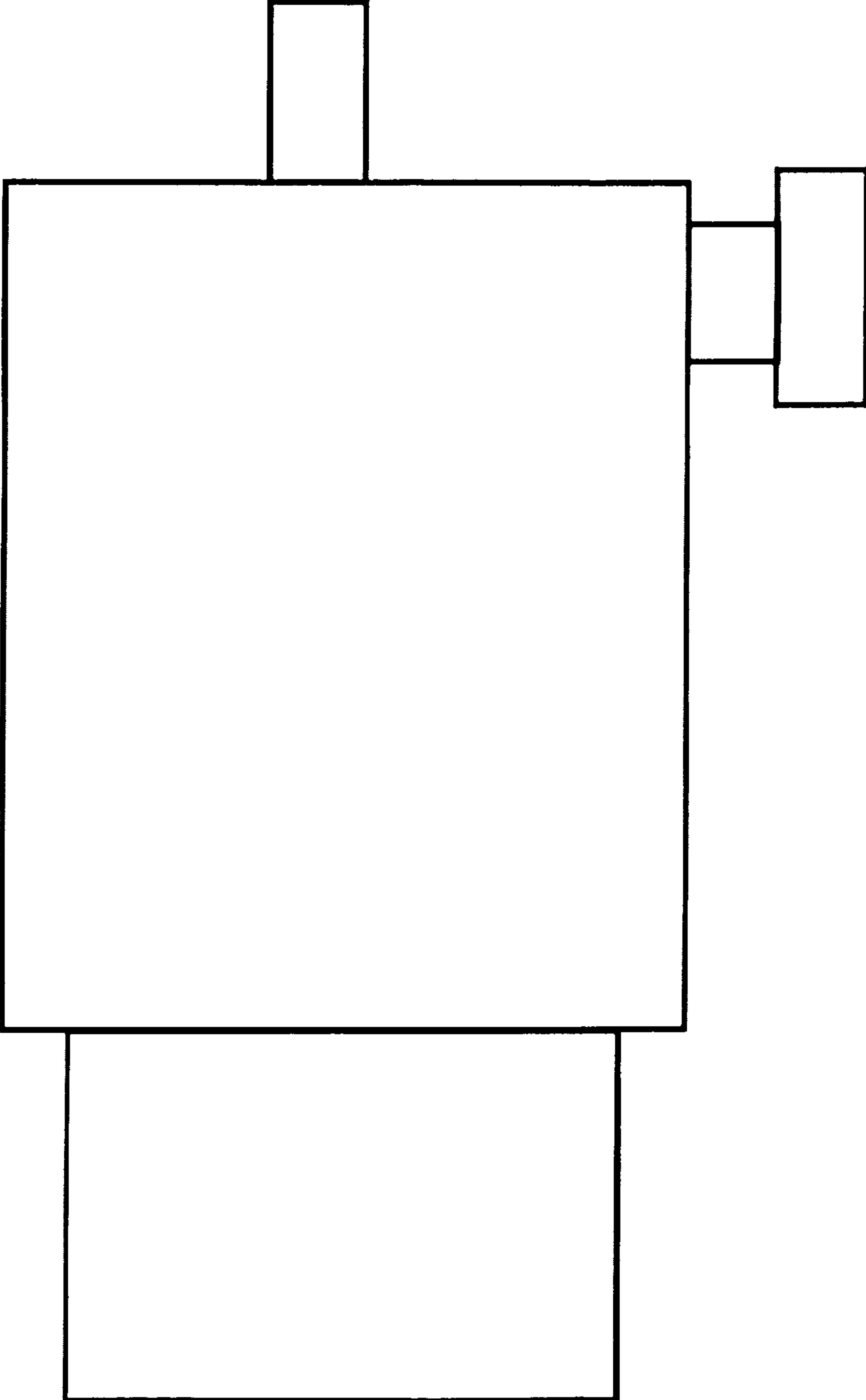


FIG.4

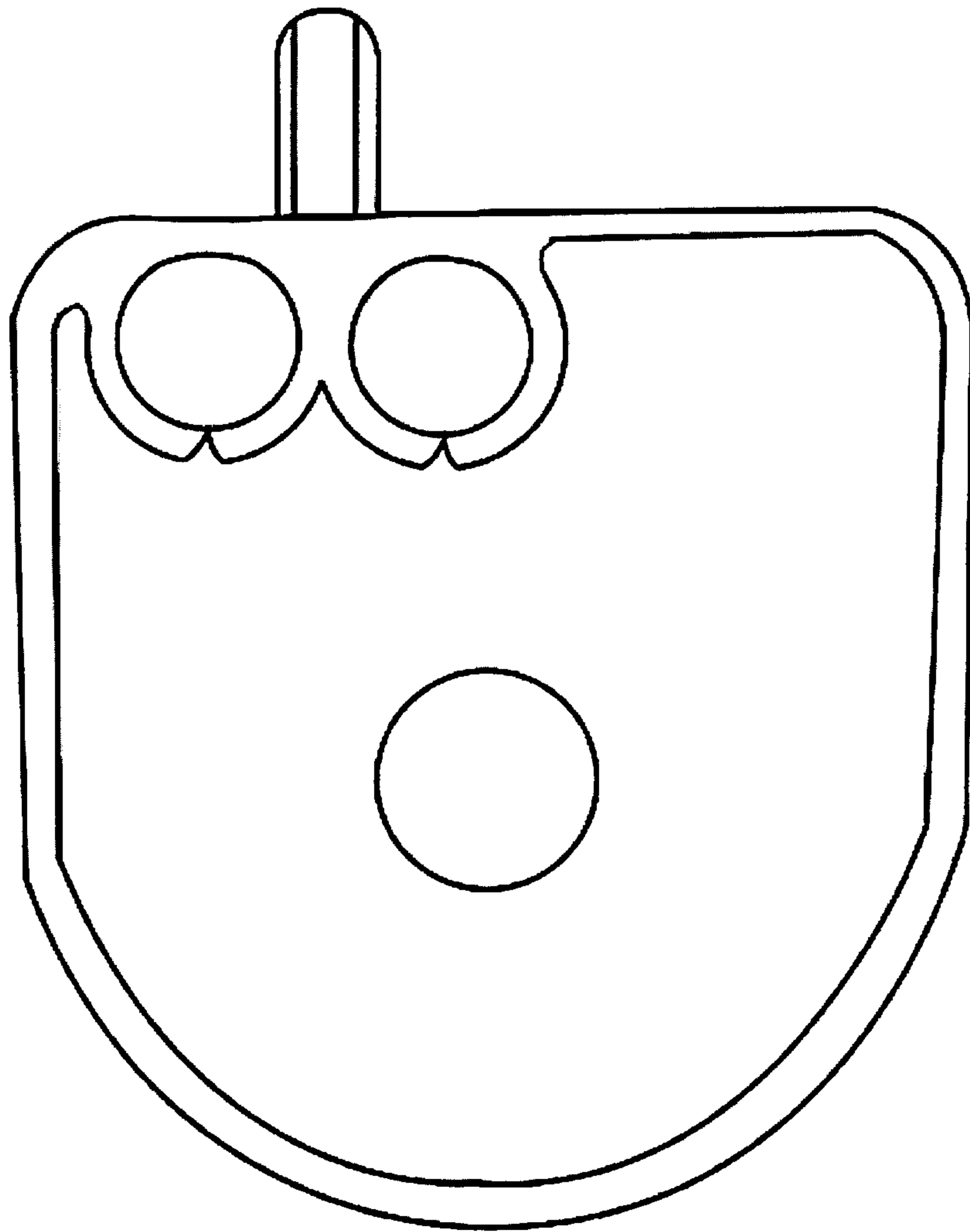


FIG.5

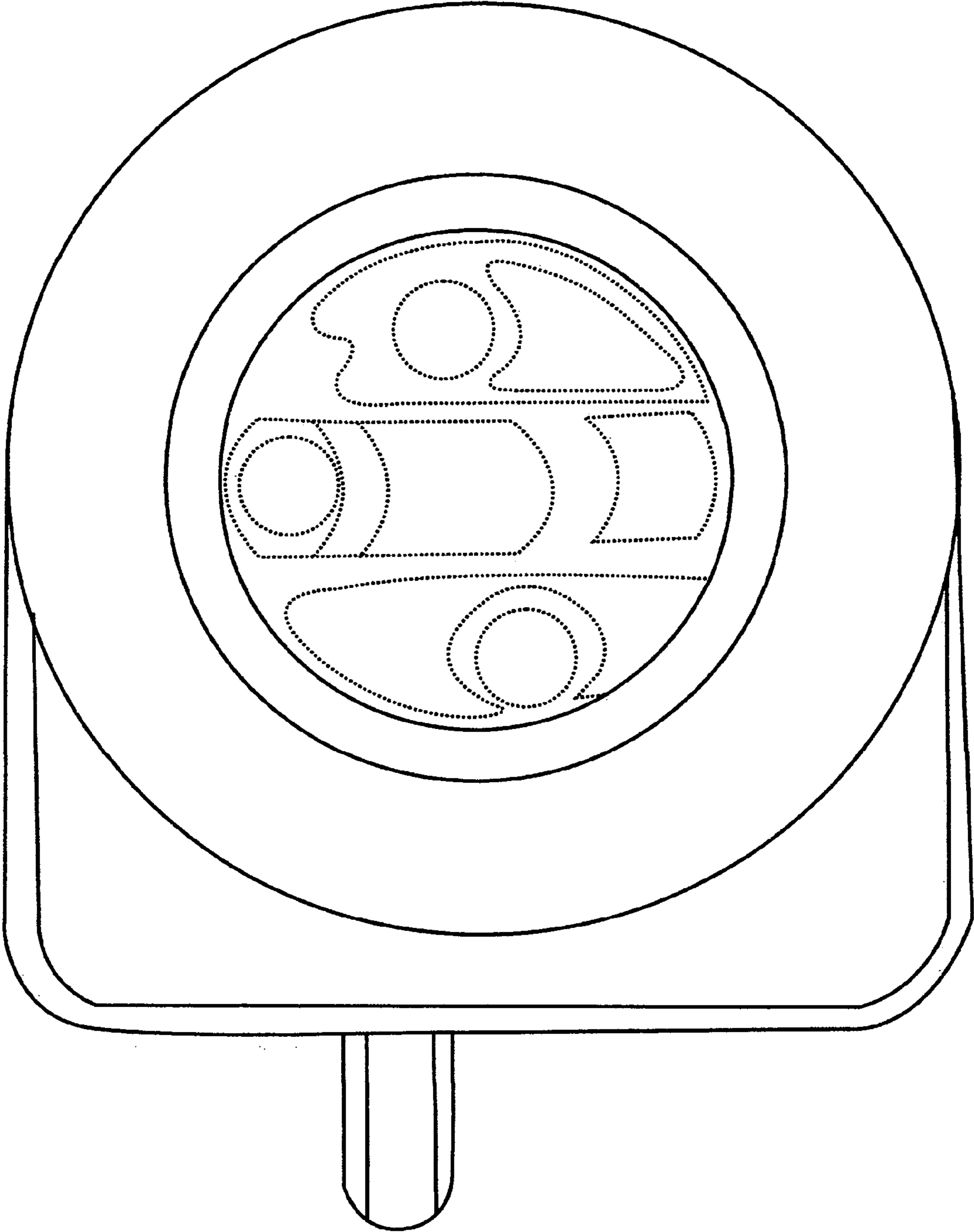


FIG.6

