



US00D679653S

(12) **United States Design Patent**
Dobler

(10) **Patent No.:** **US D679,653 S**

(45) **Date of Patent:** **** Apr. 9, 2013**

(54) **CONNECTOR SOCKET**

(75) Inventor: **Oliver Dobler**, Tschagguns (AT)

(73) Assignee: **Neutrik AG** (LI)

(**) Term: **14 Years**

(21) Appl. No.: **29/385,273**

(22) Filed: **Feb. 11, 2011**

(30) **Foreign Application Priority Data**

Aug. 16, 2010 (EP) 001229827-0005

Aug. 16, 2010 (EP) 001229827-0011

(51) **LOC (9) Cl.** **13-03**

(52) **U.S. Cl.**
USPC **D13/133**

(58) **Field of Classification Search** D13/133,
D13/146-147, 154, 156, 184; 439/180, 252,
439/278, 280, 290-293, 328, 374, 375, 378,
439/483, 488, 489, 491, 500, 525, 529, 533,
439/592-593, 680, 892, 894

See application file for complete search history.

(56) **References Cited**

U.S. PATENT DOCUMENTS

D399,188 S	10/1998	Lin	
D413,100 S	8/1999	Nakazawa	
D415,469 S	10/1999	Lee	
D437,294 S	2/2001	Amin	
D501,826 S	2/2005	Bachmann	
D512,023 S	11/2005	Bachmann	
D512,378 S	12/2005	Dobler	
D512,965 S	12/2005	Dobler	
D524,738 S	7/2006	Dobler	
D575,231 S *	8/2008	Ho et al.	D13/133
D575,739 S *	8/2008	Ho et al.	D13/133
D575,740 S *	8/2008	Ho et al.	D13/133

D576,951 S *	9/2008	Chen et al.	D13/133
D577,674 S *	9/2008	Long et al.	D13/133
D581,368 S *	11/2008	Cummings et al.	D13/158
D587,200 S *	2/2009	Allwood et al.	D13/133
D587,202 S	2/2009	Dobler	
D588,068 S *	3/2009	Cummings et al.	D13/158
D588,069 S *	3/2009	Cummings et al.	D13/158
D594,414 S *	6/2009	Ogata et al.	D13/133
D616,820 S *	6/2010	Gong et al.	D13/133
D652,797 S *	1/2012	Smith et al.	D13/133

OTHER PUBLICATIONS

Neutrik Product Guide 2008: pp. 9, 10, 11, 12, 13, 58, 97, 99, back cover.

Photo of Connector and Plug: Date unknown.

* cited by examiner

Primary Examiner — Thomas Johannes

(74) *Attorney, Agent, or Firm* — Harris Beach PLLC; Neal L. Slifkin

(57) **CLAIM**

The ornamental design of a connector socket, as shown and described.

DESCRIPTION

FIG. 1 is a rear elevation view of a connector socket showing my design;

FIG. 2 is a perspective view thereof;

FIG. 3 is front elevation view thereof;

FIG. 4 is a top plan view thereof;

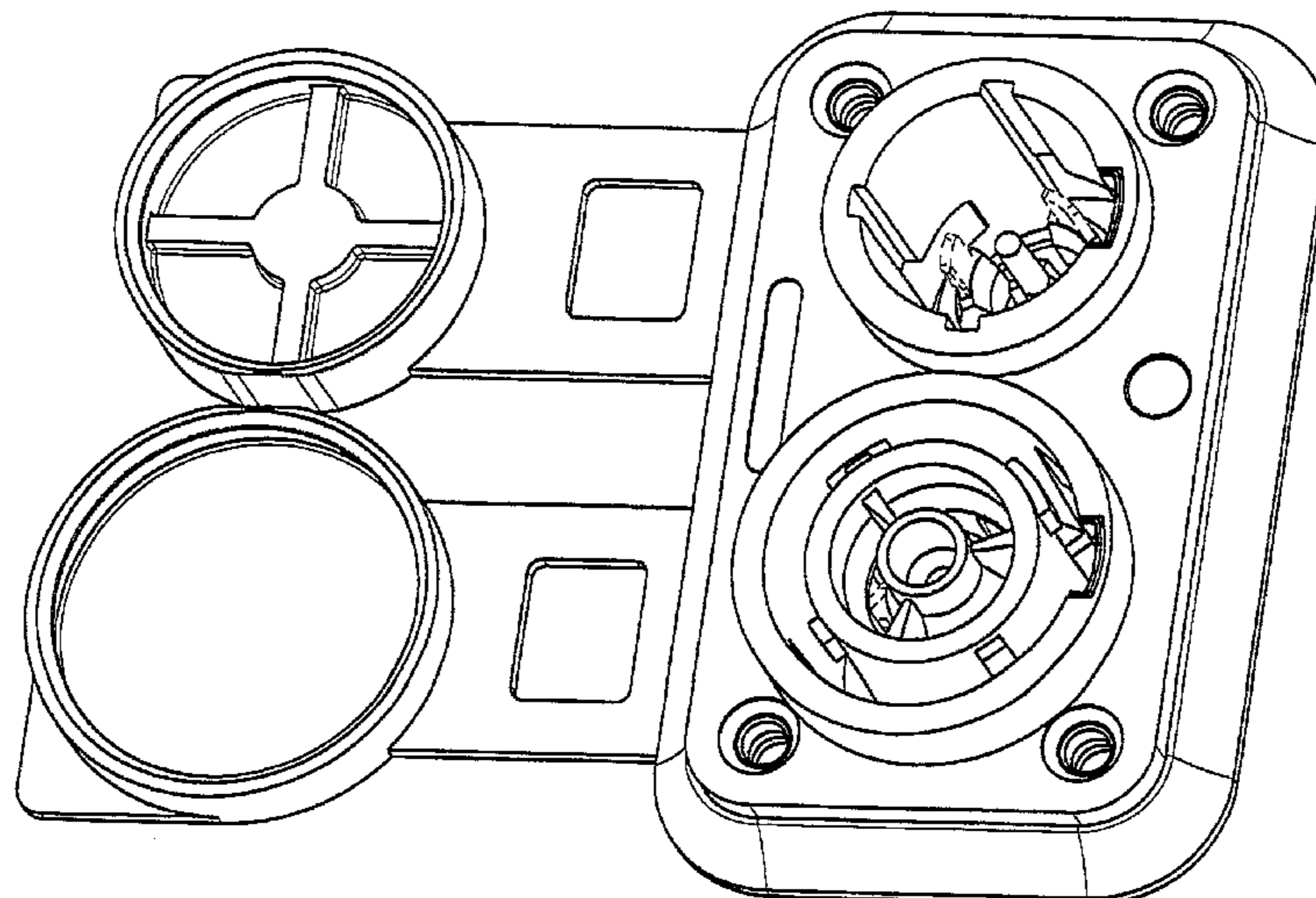
FIG. 5 is a right side elevation view thereof;

FIG. 6 is a bottom plan view thereof; and,

FIG. 7 is a left side elevation view thereof.

The broken line portion of the figure drawings is included to show unclaimed subject matter only and forms no part of the claimed design.

1 Claim, 7 Drawing Sheets



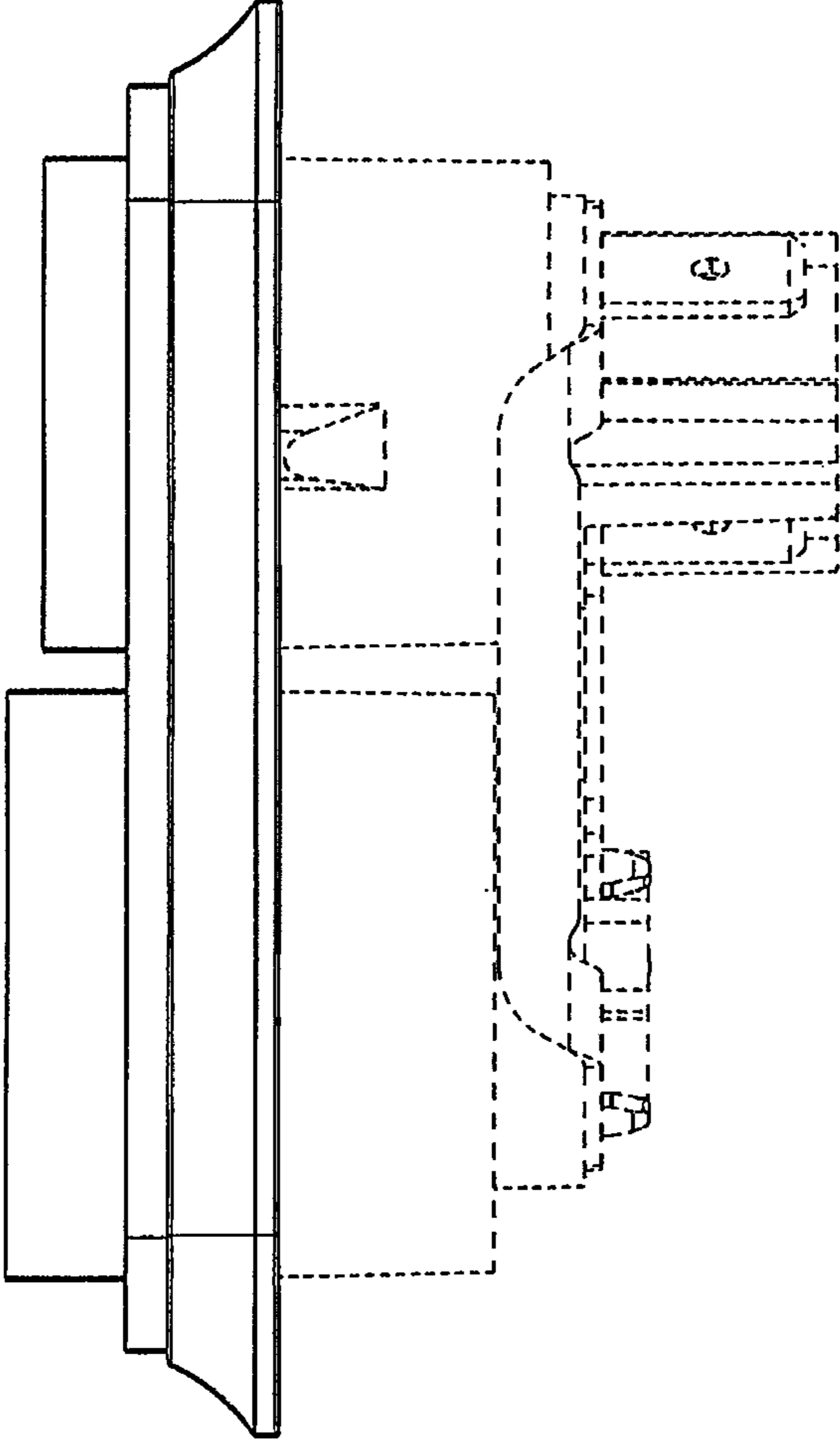


FIG. 1

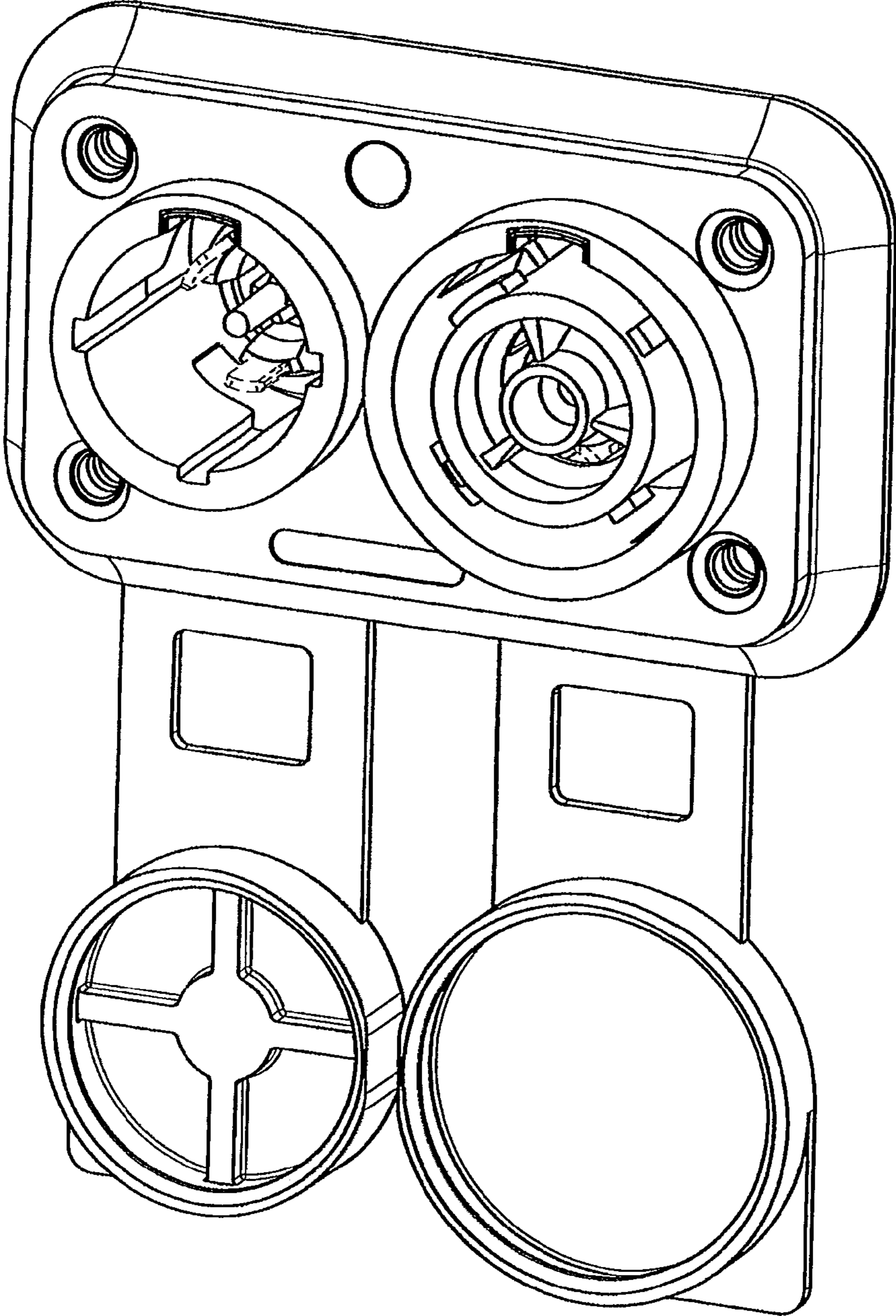


FIG. 2

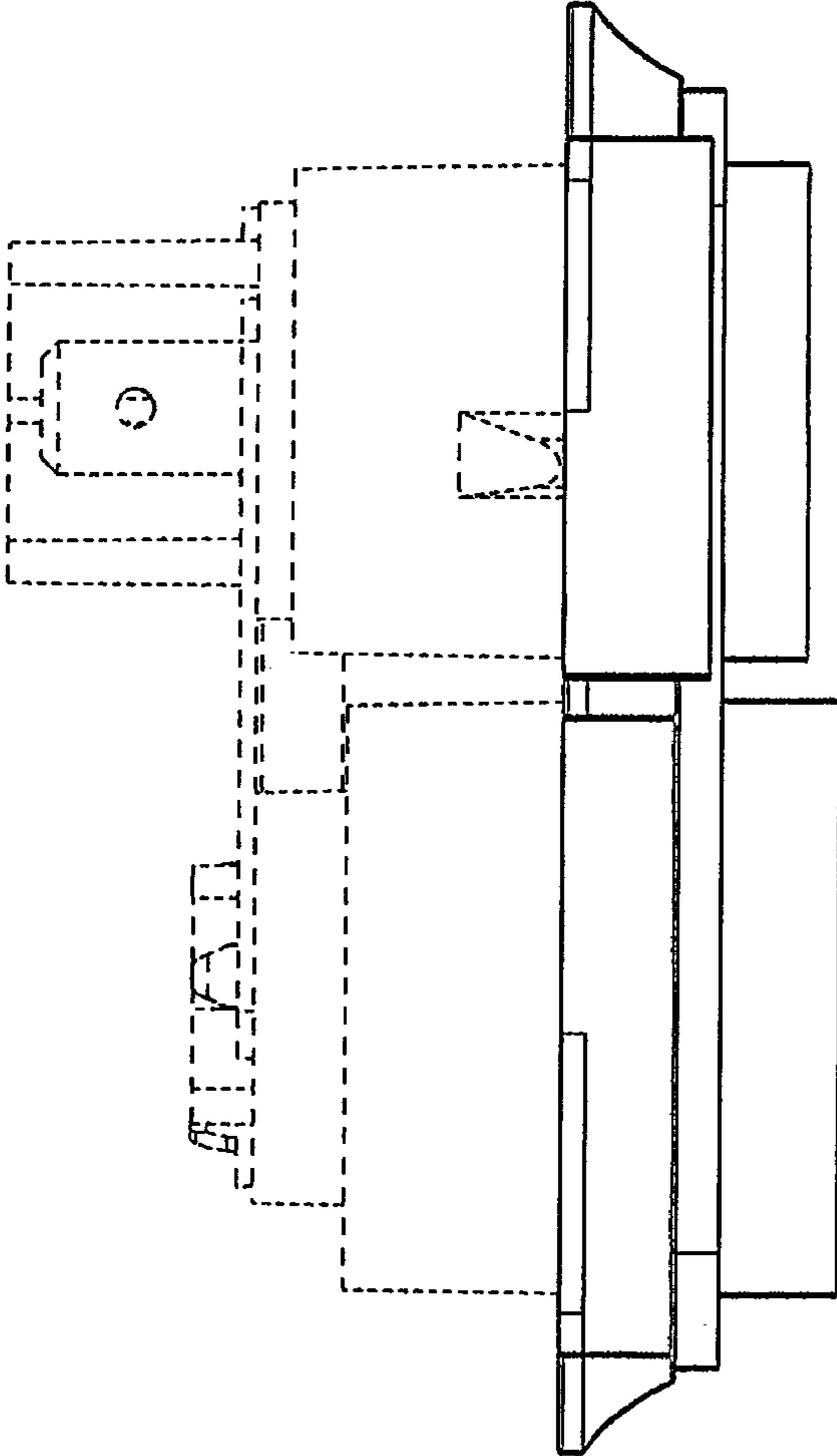


FIG. 3

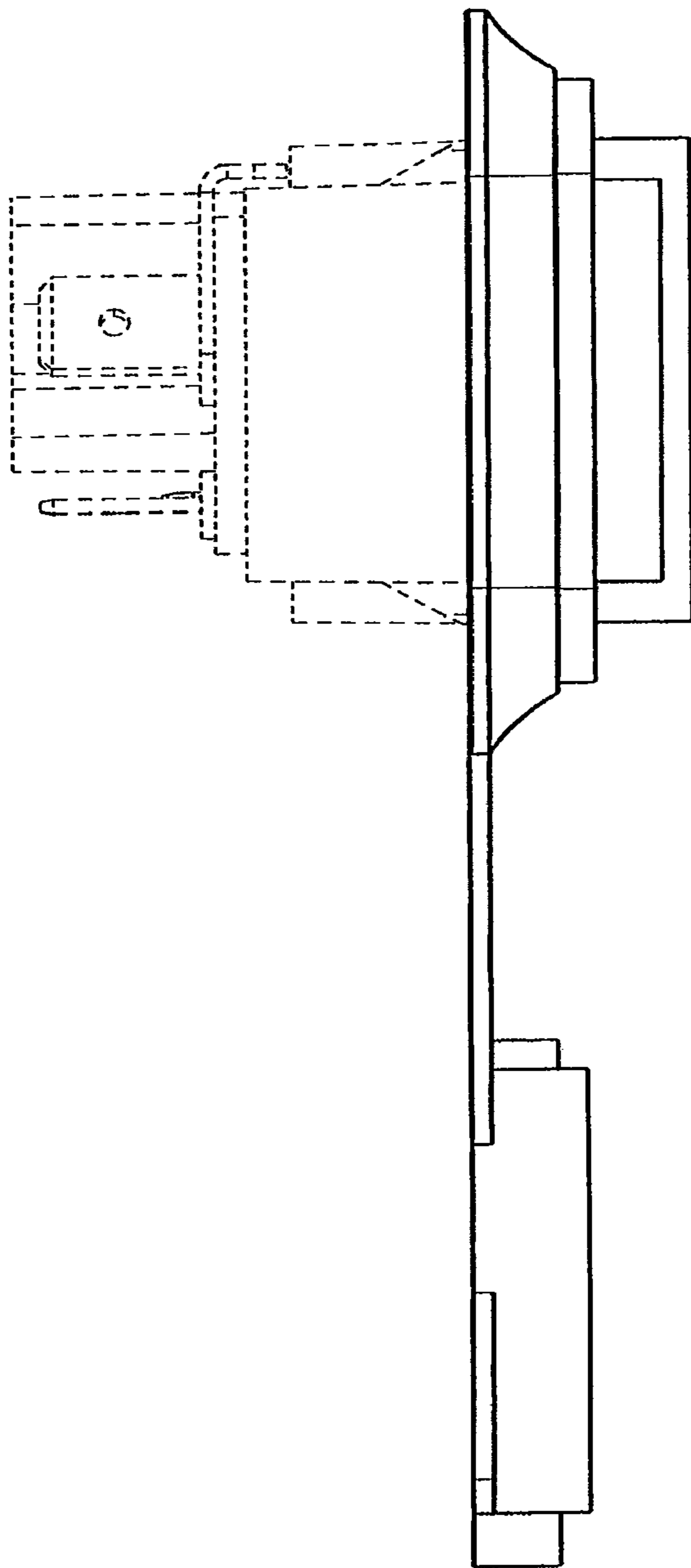


FIG. 4

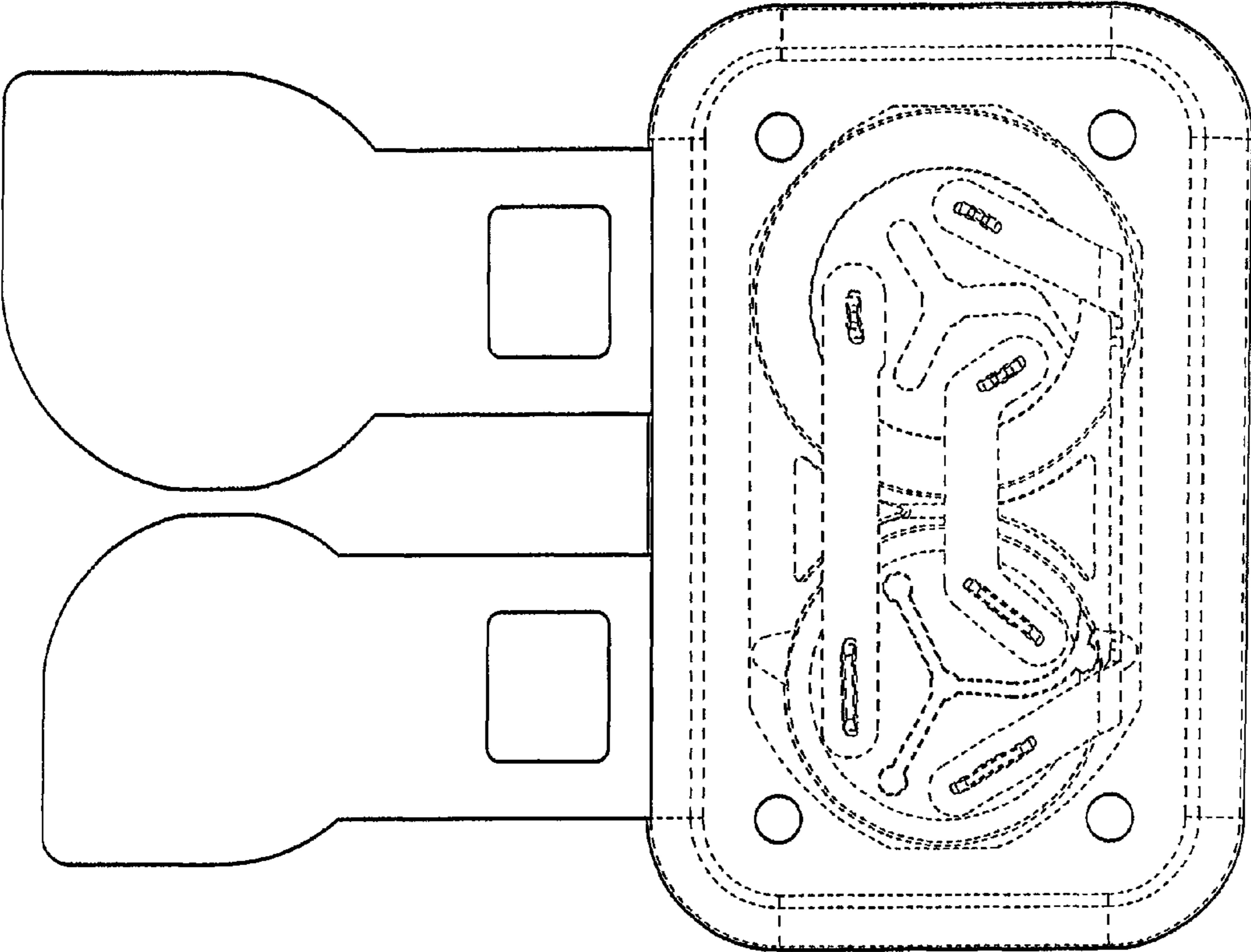


FIG. 5

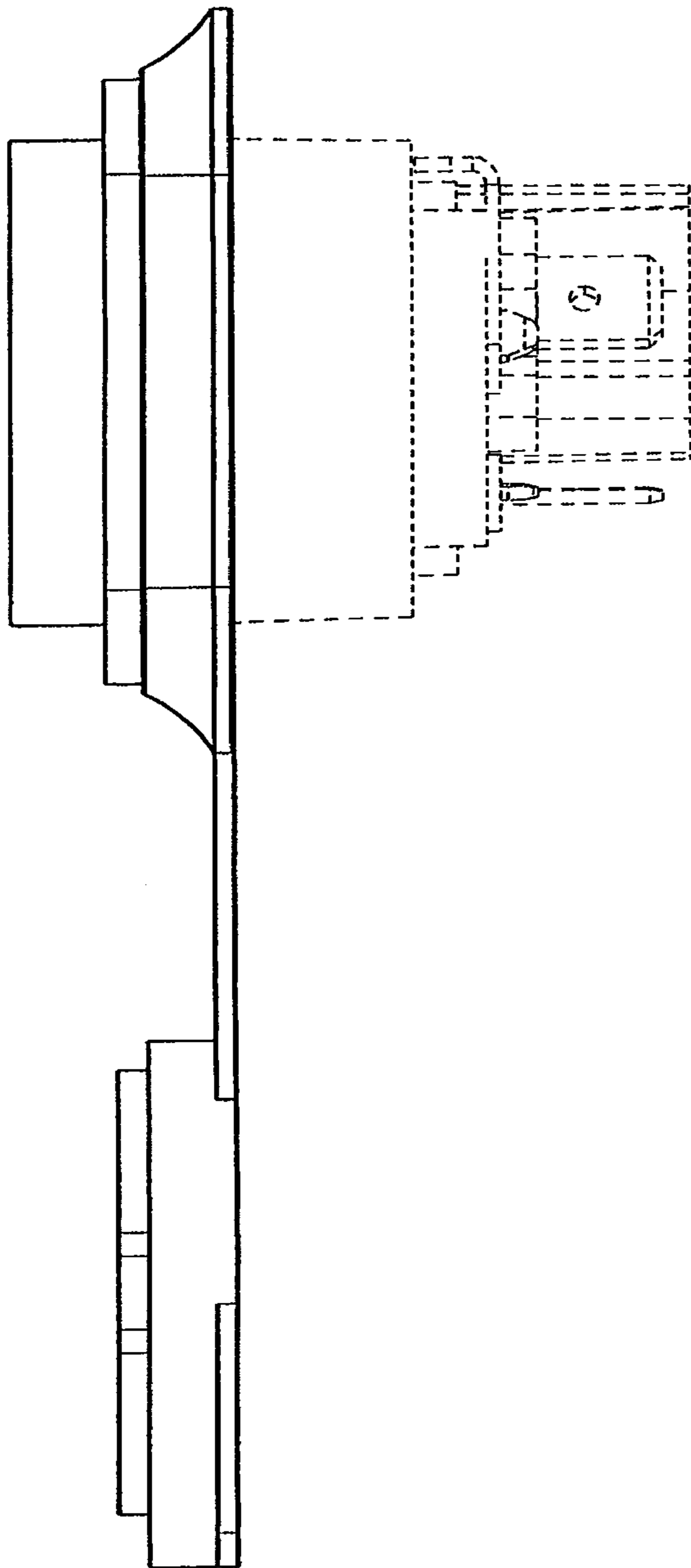


FIG. 6

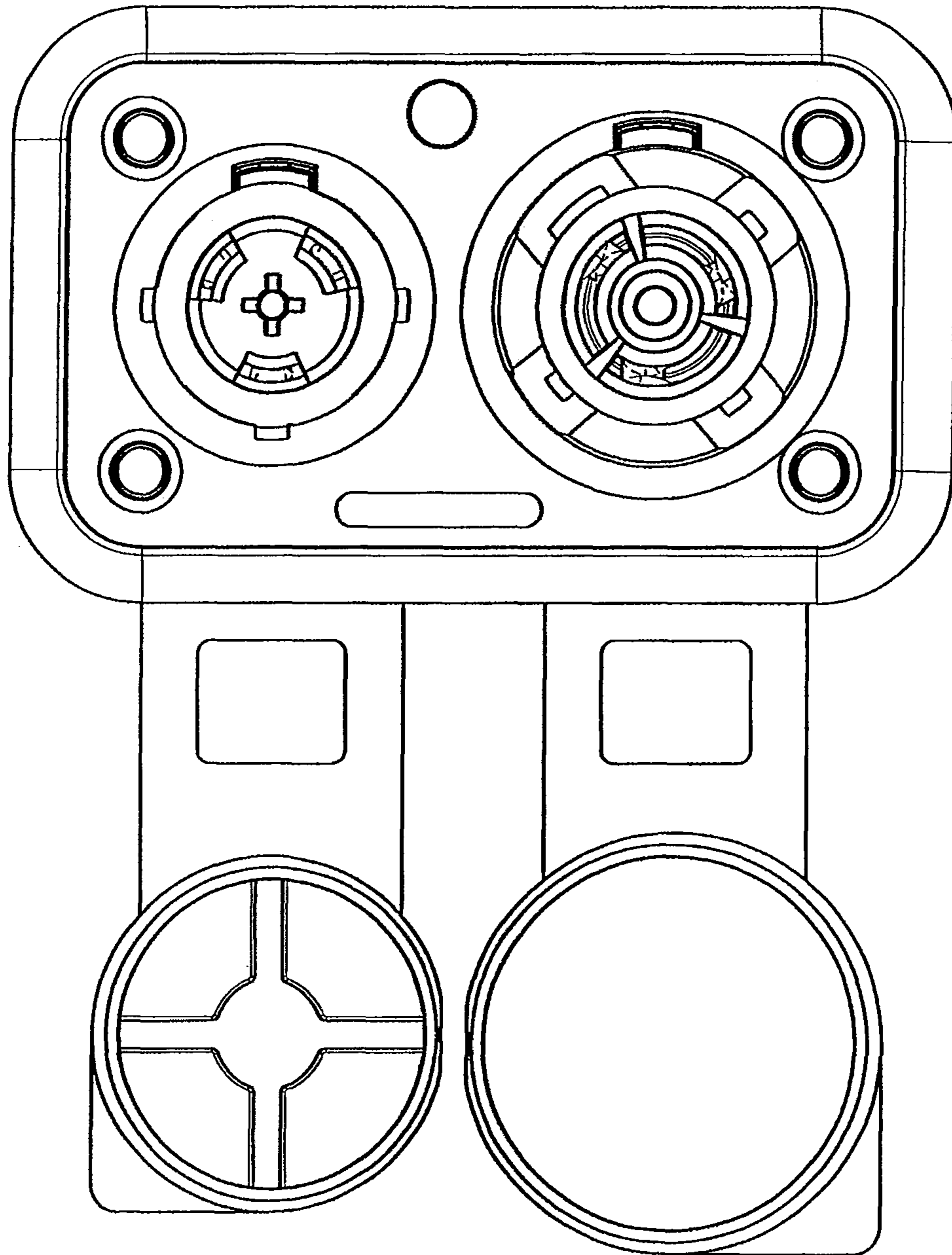


FIG. 7