



US00D679651S

(12) **United States Design Patent**
Stratford

(10) **Patent No.:** **US D679,651 S**

(45) **Date of Patent:** **** Apr. 9, 2013**

(54) **BATTERY PACK**

(75) Inventor: **Mark Stratford**, Durham (GB)

(73) Assignee: **Black & Decker Inc.**, Newark, DE (US)

(**) Term: **14 Years**

(21) Appl. No.: **29/402,460**

(22) Filed: **Sep. 23, 2011**

(30) **Foreign Application Priority Data**

May 18, 2011 (EM) 001276687

(51) **LOC (9) Cl.** **13-02**

(52) **U.S. Cl.** **D13/103**

(58) **Field of Classification Search** D13/102-106,
D13/110, 118-119, 184; 429/96-100, 163,
429/176

See application file for complete search history.

(56) **References Cited**

U.S. PATENT DOCUMENTS

D524,728 S *	7/2006	Watson	D13/103
D535,250 S *	1/2007	Watson	D13/103
D545,759 S *	7/2007	Ino et al.	D13/103
D555,086 S *	11/2007	Zhang	D13/103

D588,986 S *	3/2009	Zhang	D13/110
D589,439 S *	3/2009	Van Wambeke	D13/103
D589,440 S *	3/2009	Van Wambeke	D13/103
D589,441 S *	3/2009	Van Wambeke	D13/103
D610,082 S *	2/2010	Sweeney	D13/103
D610,537 S *	2/2010	Sweeney	D13/103
D639,730 S *	6/2011	Kawase	D13/103
D640,196 S *	6/2011	Shuang et al.	D13/119
D640,628 S *	6/2011	Lopano et al.	D13/103
D643,809 S *	8/2011	Okuda et al.	D13/103
D657,307 S *	4/2012	Zhao	D13/103
D658,578 S *	5/2012	Davis	D13/103

* cited by examiner

Primary Examiner — Rosemary K Tarcza

(74) *Attorney, Agent, or Firm* — John Yun

(57) **CLAIM**

The ornamental design for a battery pack, as shown and described.

DESCRIPTION

FIG. 1 is a perspective view of a battery pack showing my new design;

FIG. 2 is a right side view thereof

FIG. 3 is a left side view thereof;

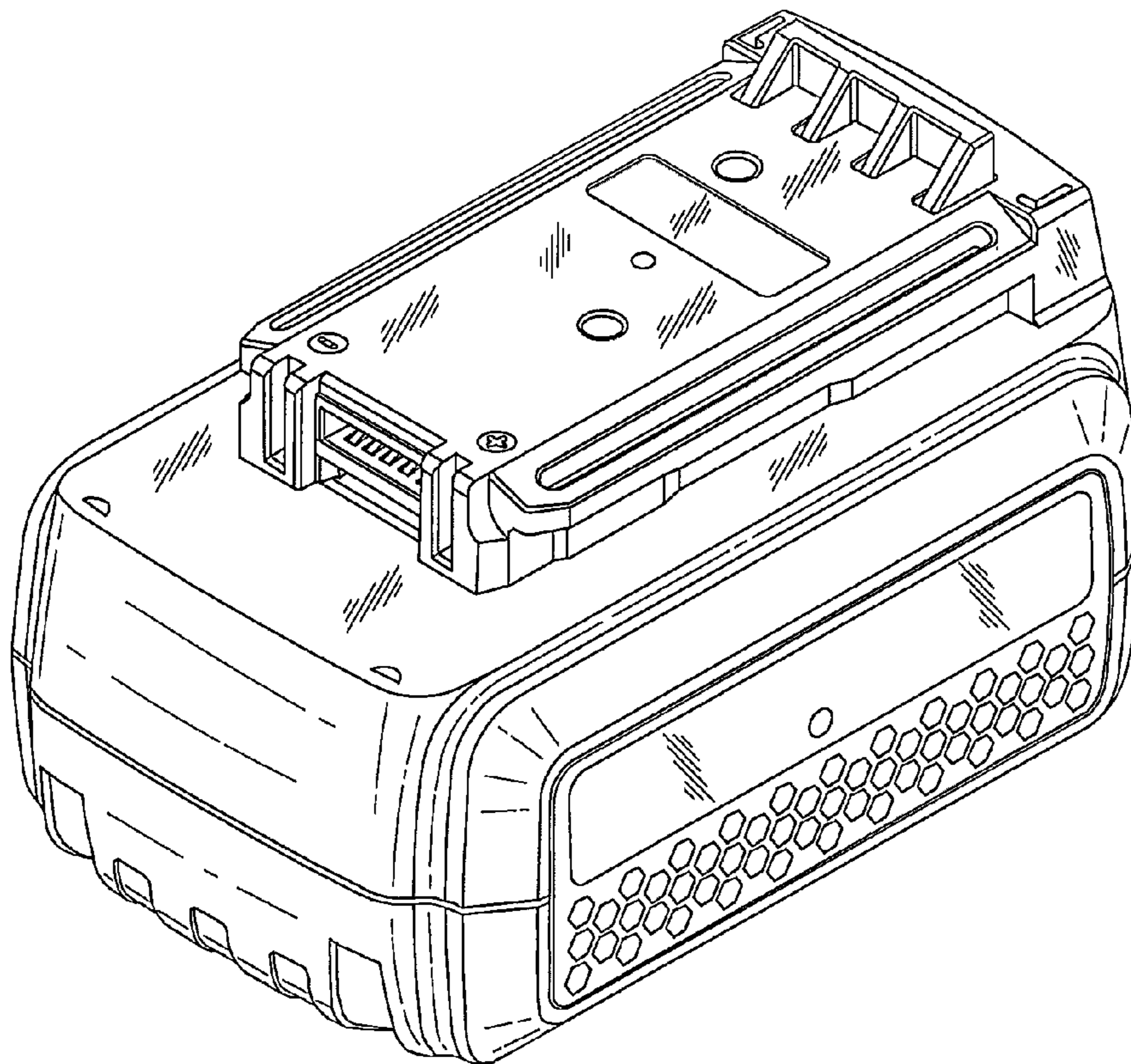
FIG. 4 is a front view thereof;

FIG. 5 is a rear view thereof;

FIG. 6 is a top plan view thereof; and,

FIG. 7 is a bottom plan view thereof.

1 Claim, 4 Drawing Sheets



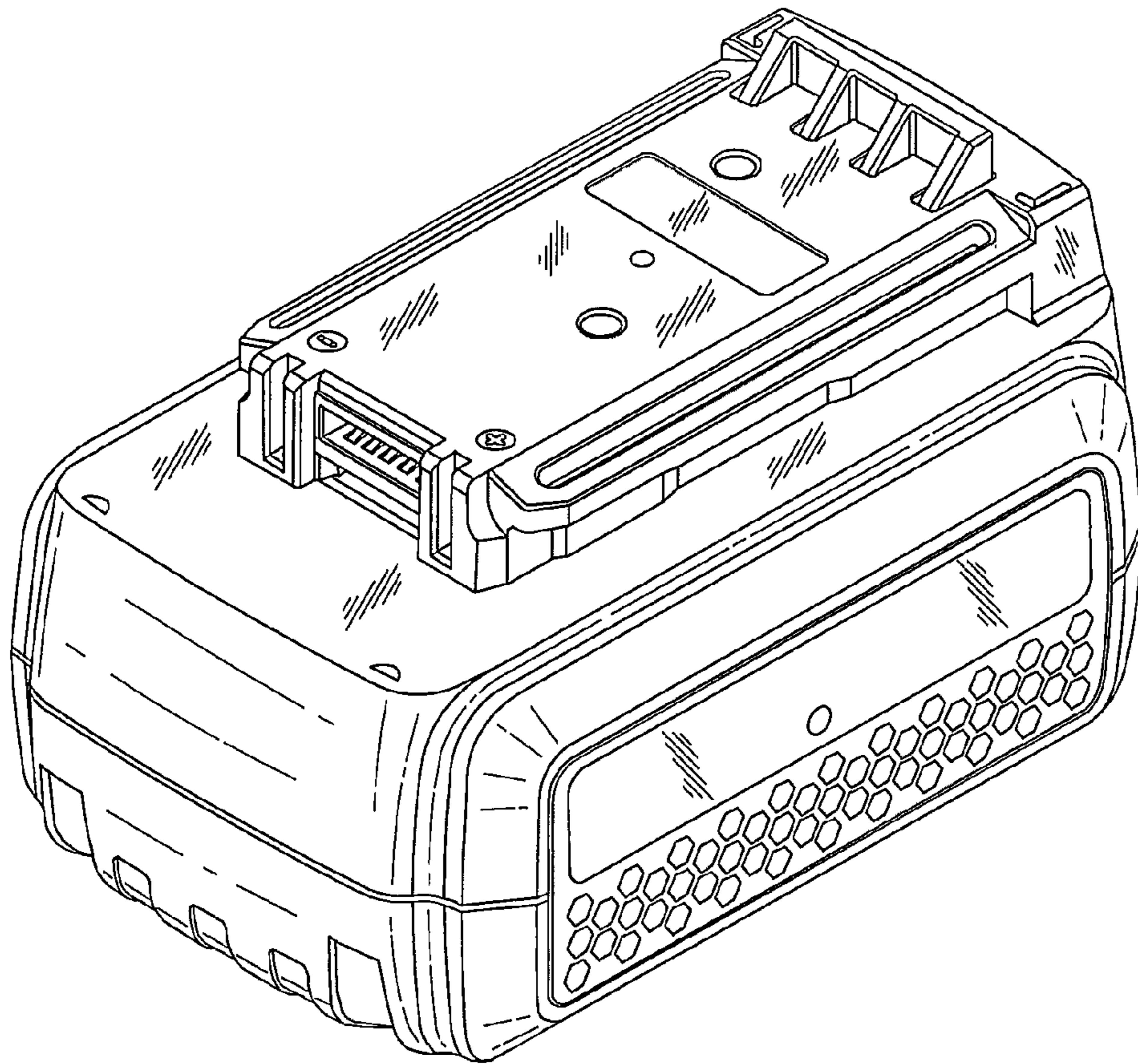


FIG. 1

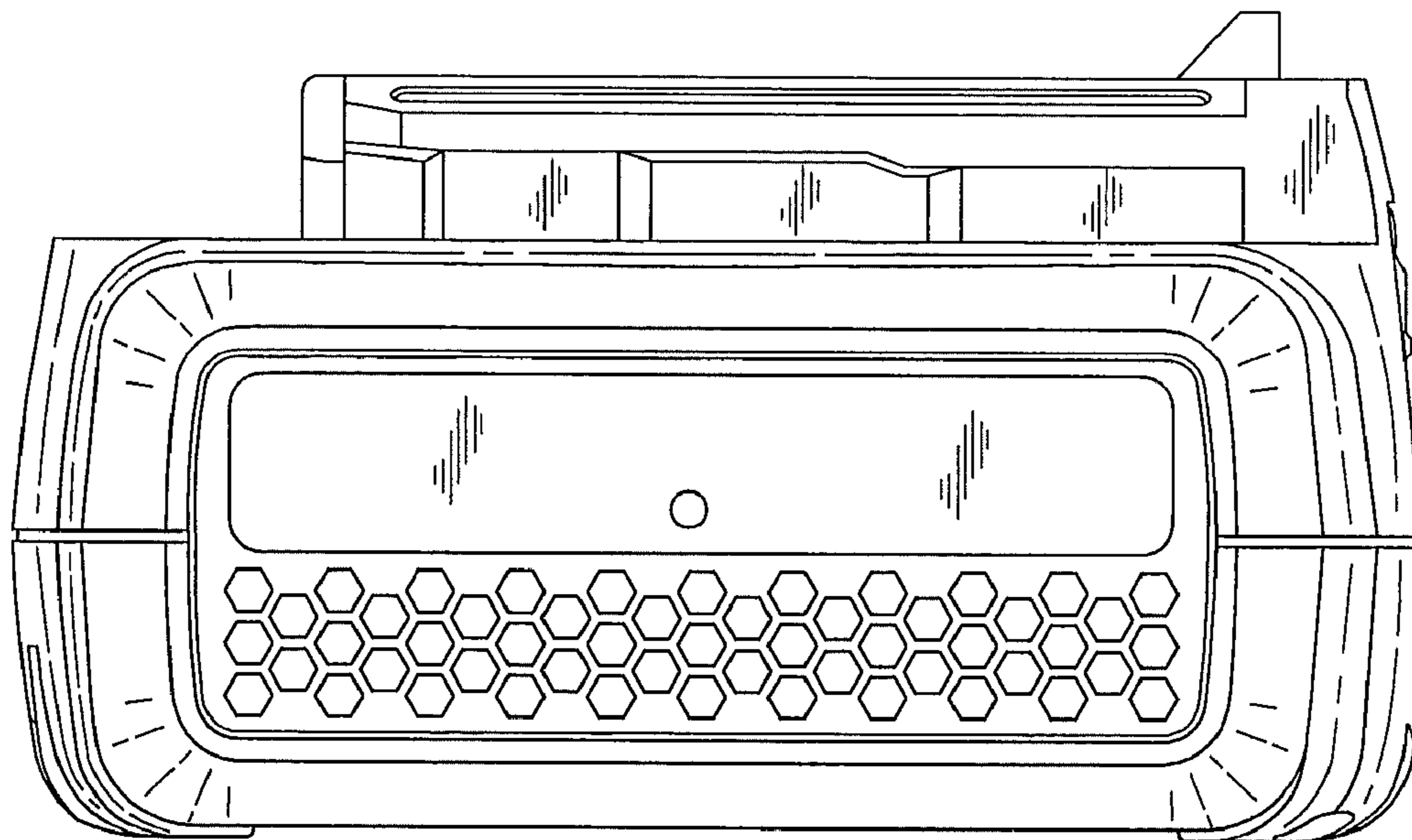


FIG. 2

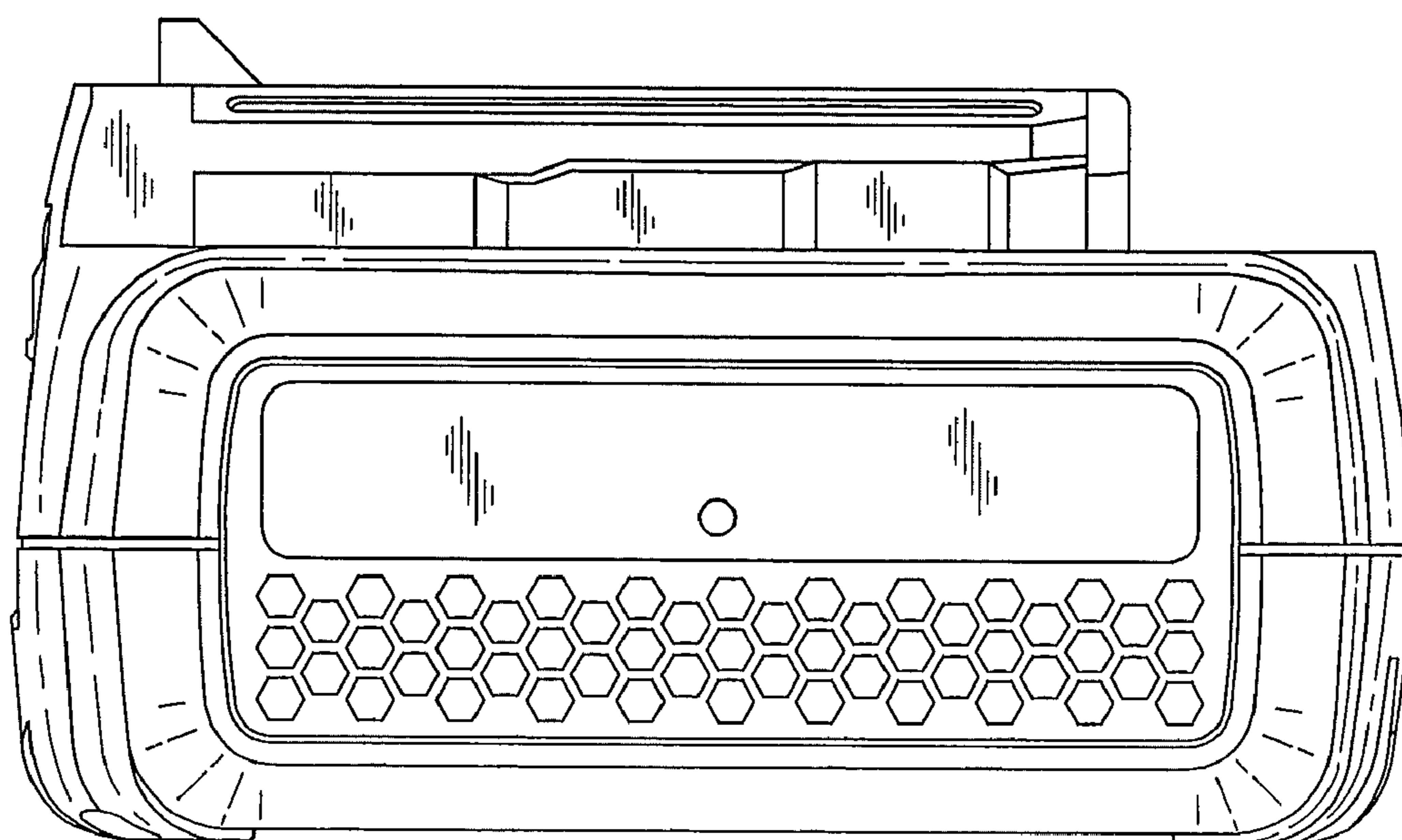


FIG. 3

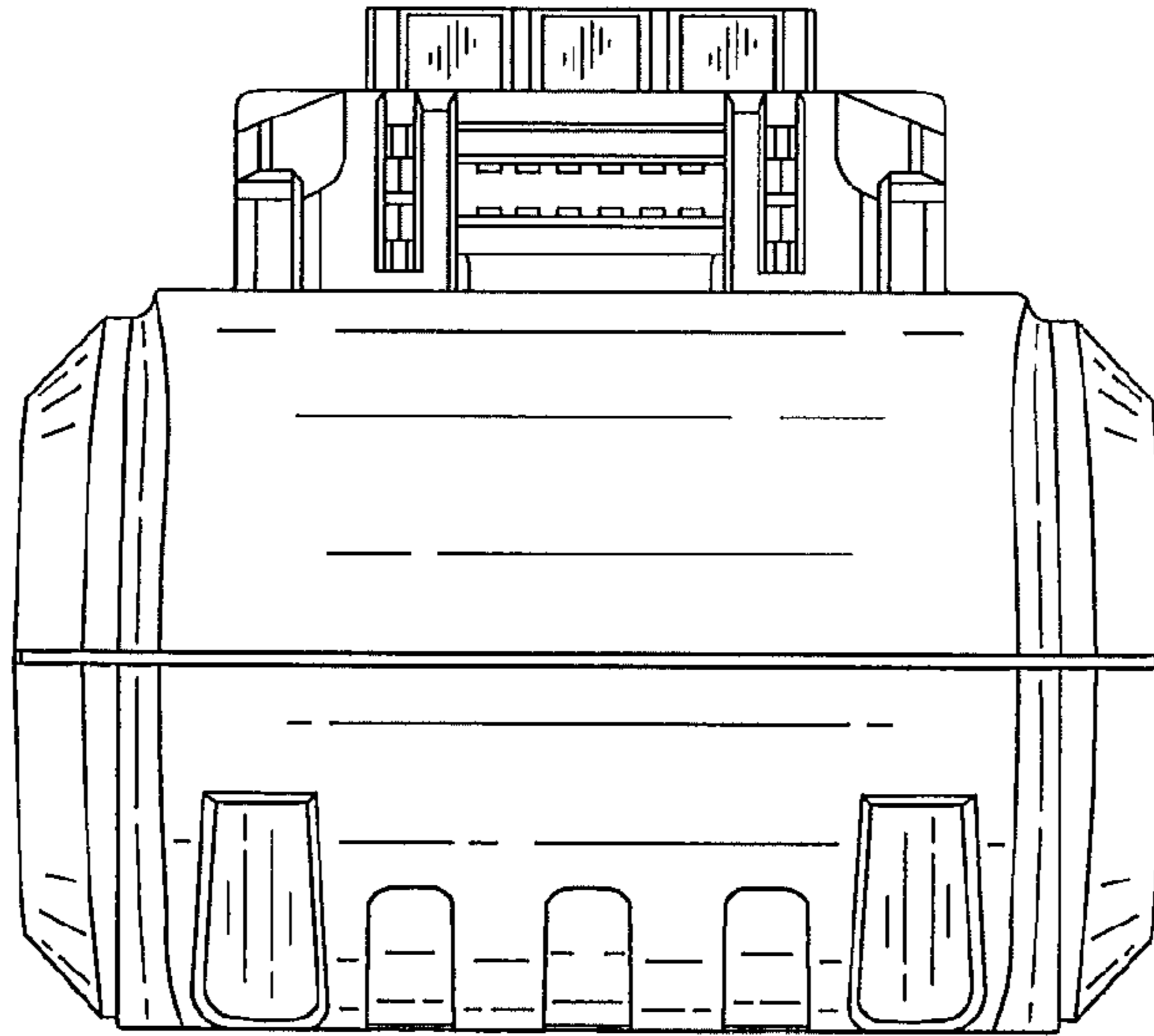


FIG. 4

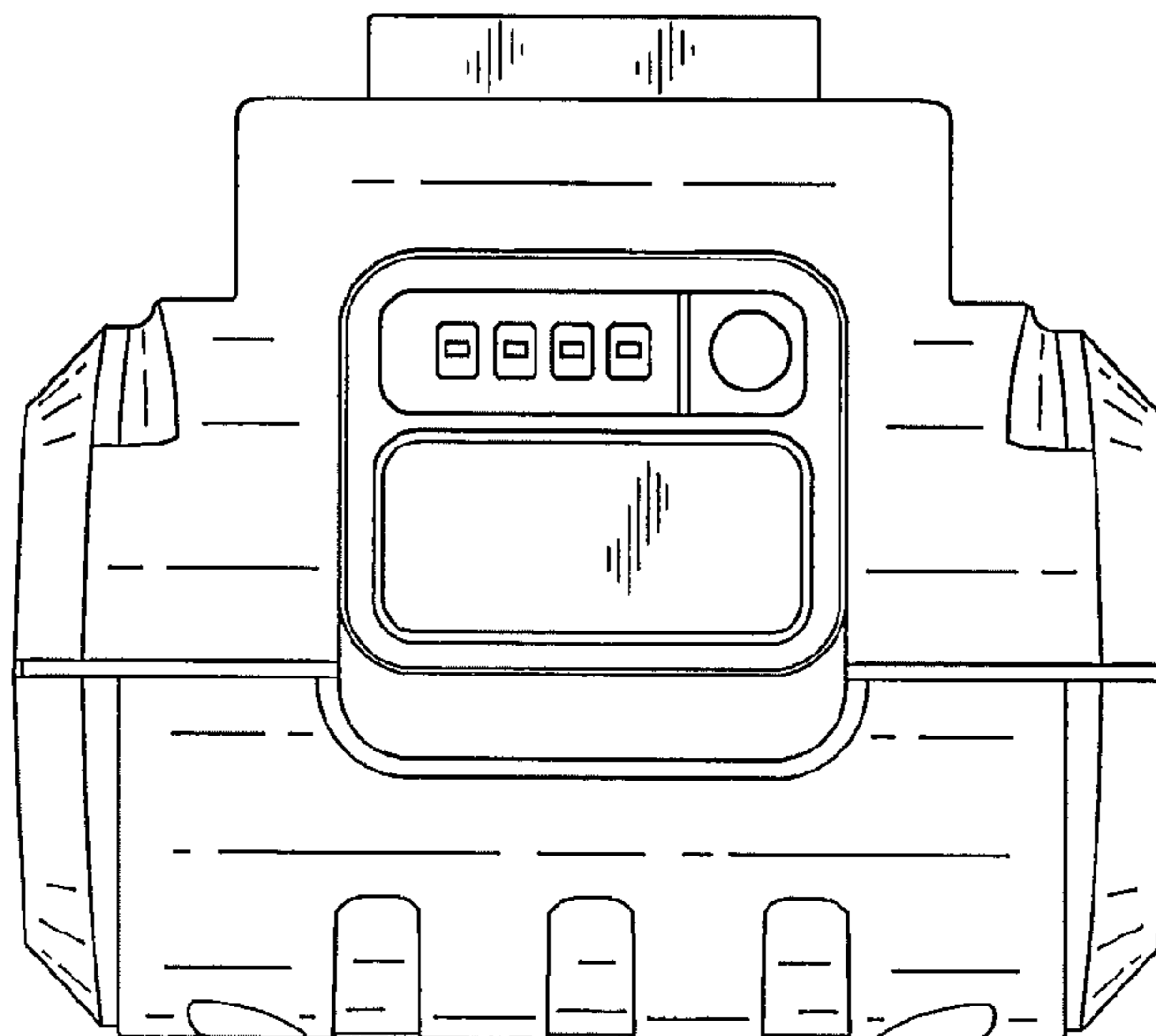


FIG. 5

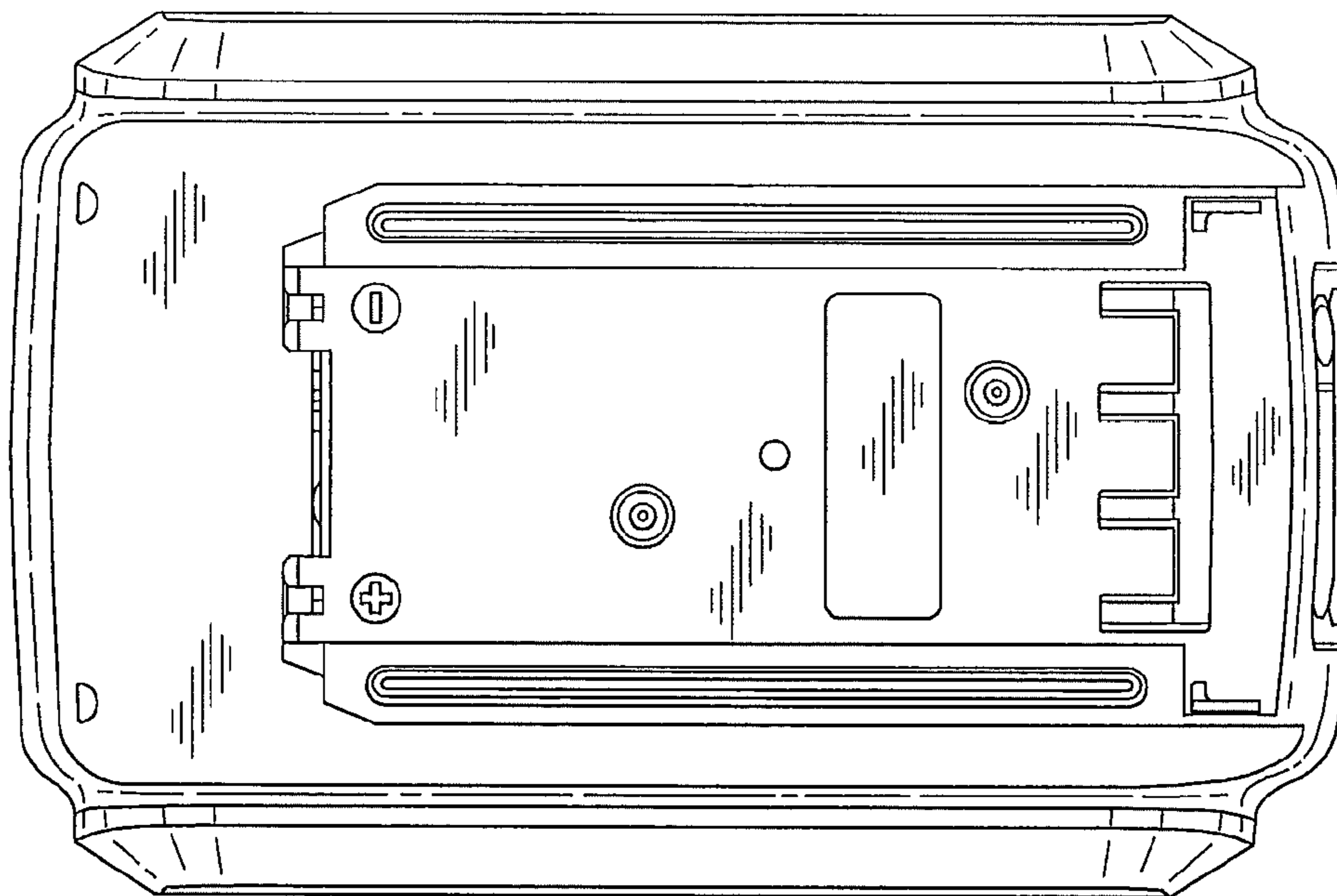


FIG. 6

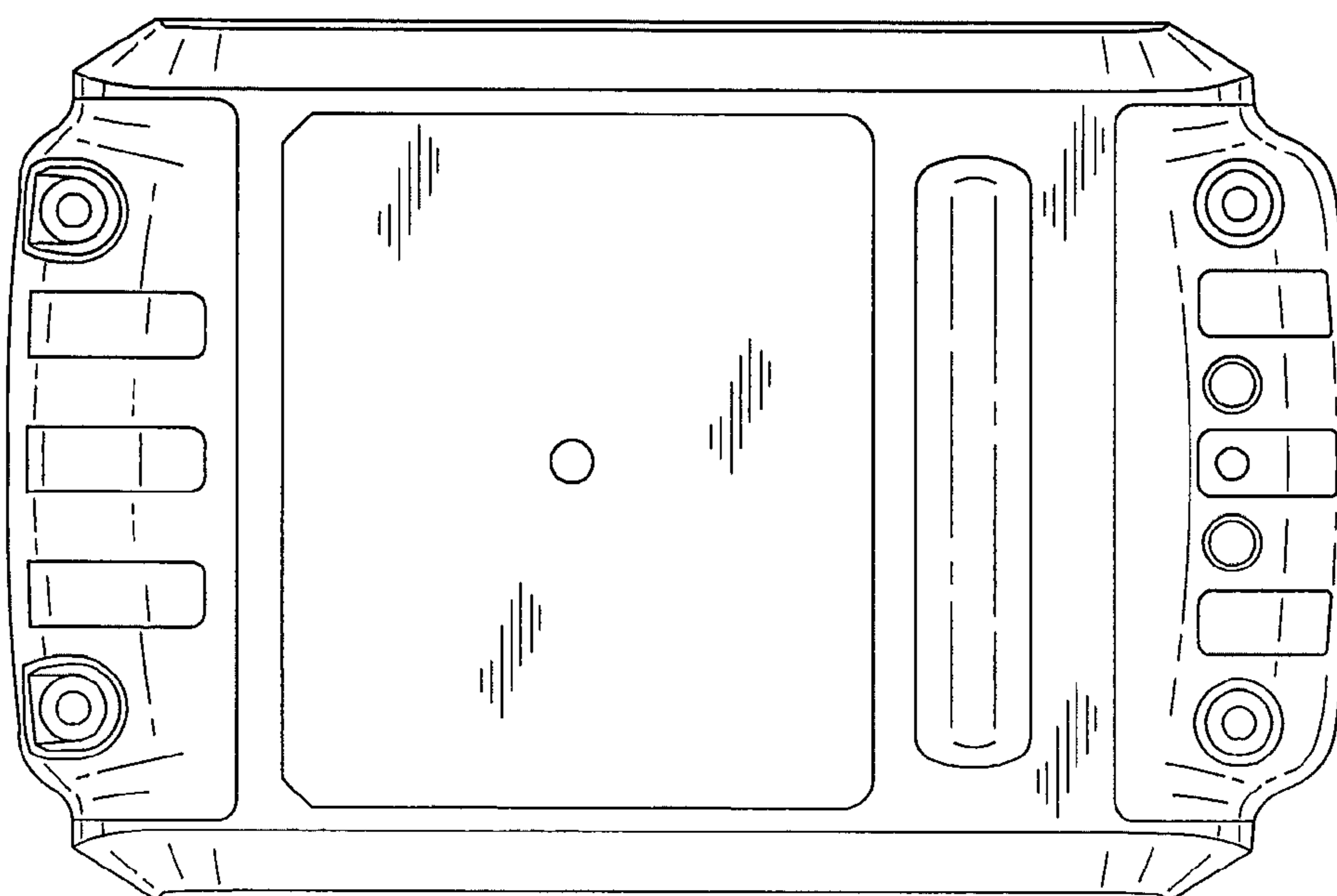


FIG. 7