



US00D679650S

(12) **United States Design Patent**
Farris, III et al.

(10) **Patent No.:** **US D679,650 S**

(45) **Date of Patent:** **** Apr. 9, 2013**

(54) **MULTI-MODULE UTILITY PHOTOVOLTAIC APPARATUS**

(75) Inventors: **Chester A. Farris, III**, Yorba Linda, CA (US); **Robert D. Wieting**, Simi Valley, CA (US)

(73) Assignee: **Stion Corporation**, San Jose, CA (US)

(**) Term: **14 Years**

(21) Appl. No.: **29/362,514**

(22) Filed: **May 26, 2010**

(51) **LOC (9) Cl.** **13-02**

(52) **U.S. Cl.** **D13/102**

(58) **Field of Classification Search** D13/102, D13/101, 103, 118, 184, 199; 126/561, 667; 136/206, 244-251, 256, 291, 292; 385/900
See application file for complete search history.

(56) **References Cited**

U.S. PATENT DOCUMENTS

| | | | | | |
|--------------|------|---------|-------------------|-------|---------|
| 4,056,405 | A * | 11/1977 | Varadi | | 136/246 |
| D380,191 | S * | 6/1997 | White | | D13/102 |
| D389,454 | S * | 1/1998 | Mori | | D13/102 |
| D442,139 | S * | 5/2001 | Sasaoka | | D13/102 |
| 6,818,820 | B2 * | 11/2004 | Matsushita et al. | | 136/251 |
| D543,501 | S * | 5/2007 | Yamashita et al. | | D13/102 |
| D601,087 | S * | 9/2009 | Feng et al. | | D13/102 |
| 2008/0072959 | A1 * | 3/2008 | Chen et al. | | 136/257 |

* cited by examiner

Primary Examiner — Derrick Holland

(74) *Attorney, Agent, or Firm* — Kilpatrick Townsend & Stockton LLP

(57) **CLAIM**

The ornamental design for a multi-module utility photovoltaic apparatus, as shown and described.

DESCRIPTION

FIG. 1 is a perspective view of a multi-module utility photovoltaic apparatus according to a first embodiment showing our new design;

FIG. 2 is a top plan view thereof;

FIG. 3 is a bottom plan view thereof;

FIG. 4 is a first end elevation view thereof;

FIG. 5 is a second end elevation view thereof;

FIG. 6 is a left side elevation view thereof;

FIG. 7 is a right side elevation view thereof;

FIG. 8 is a perspective view of a multi-module utility photovoltaic apparatus according to a second embodiment showing our new design;

FIG. 9 is a top plan view thereof;

FIG. 10 is a bottom plan view thereof;

FIG. 11 is a first end elevation view thereof;

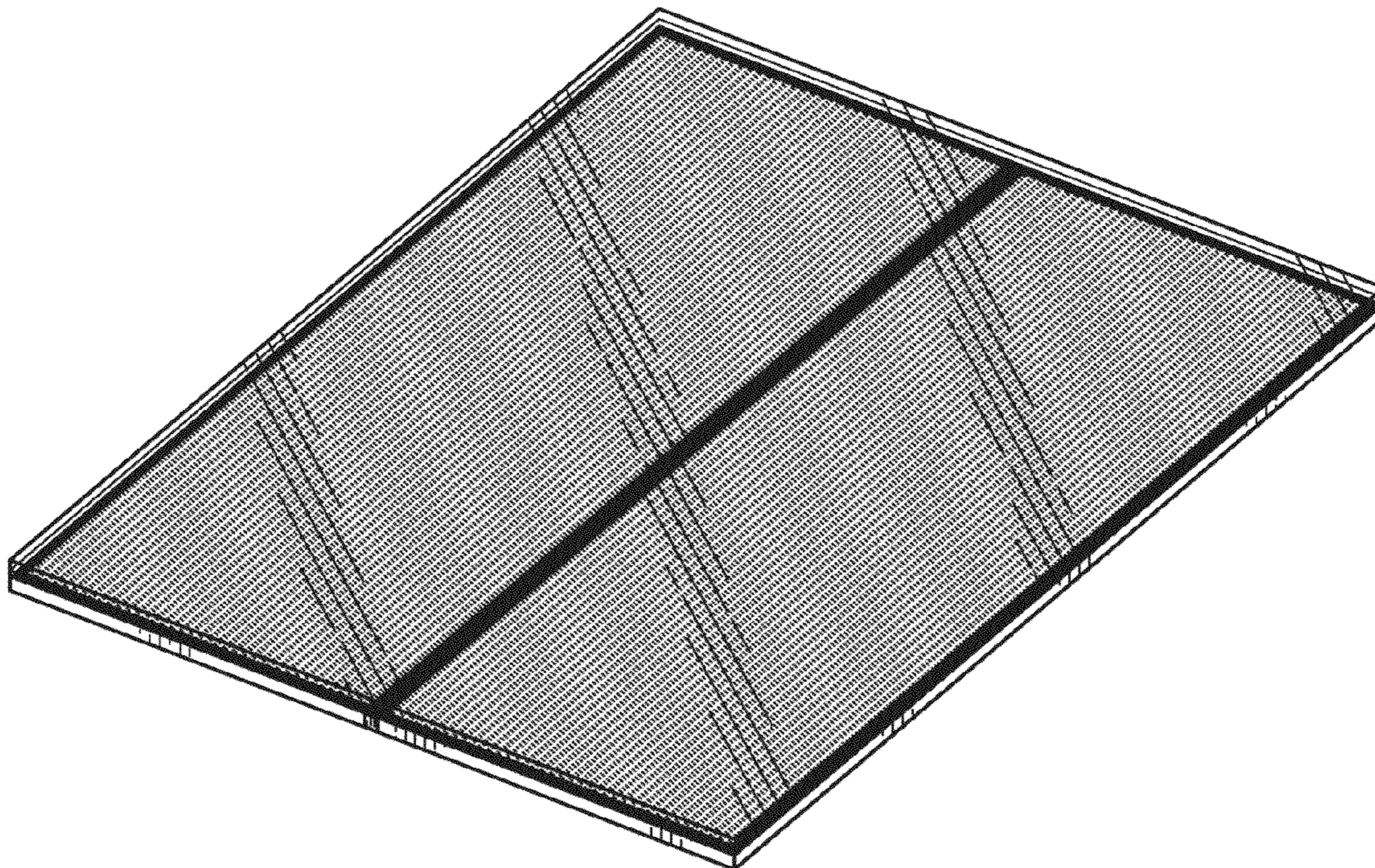
FIG. 12 is a second end elevation view thereof;

FIG. 13 is a left side elevation view thereof; and,

FIG. 14 is a right side elevation view thereof.

The broken lines shown represent unclaimed subject matter and form no part of the claimed design.

1 Claim, 6 Drawing Sheets



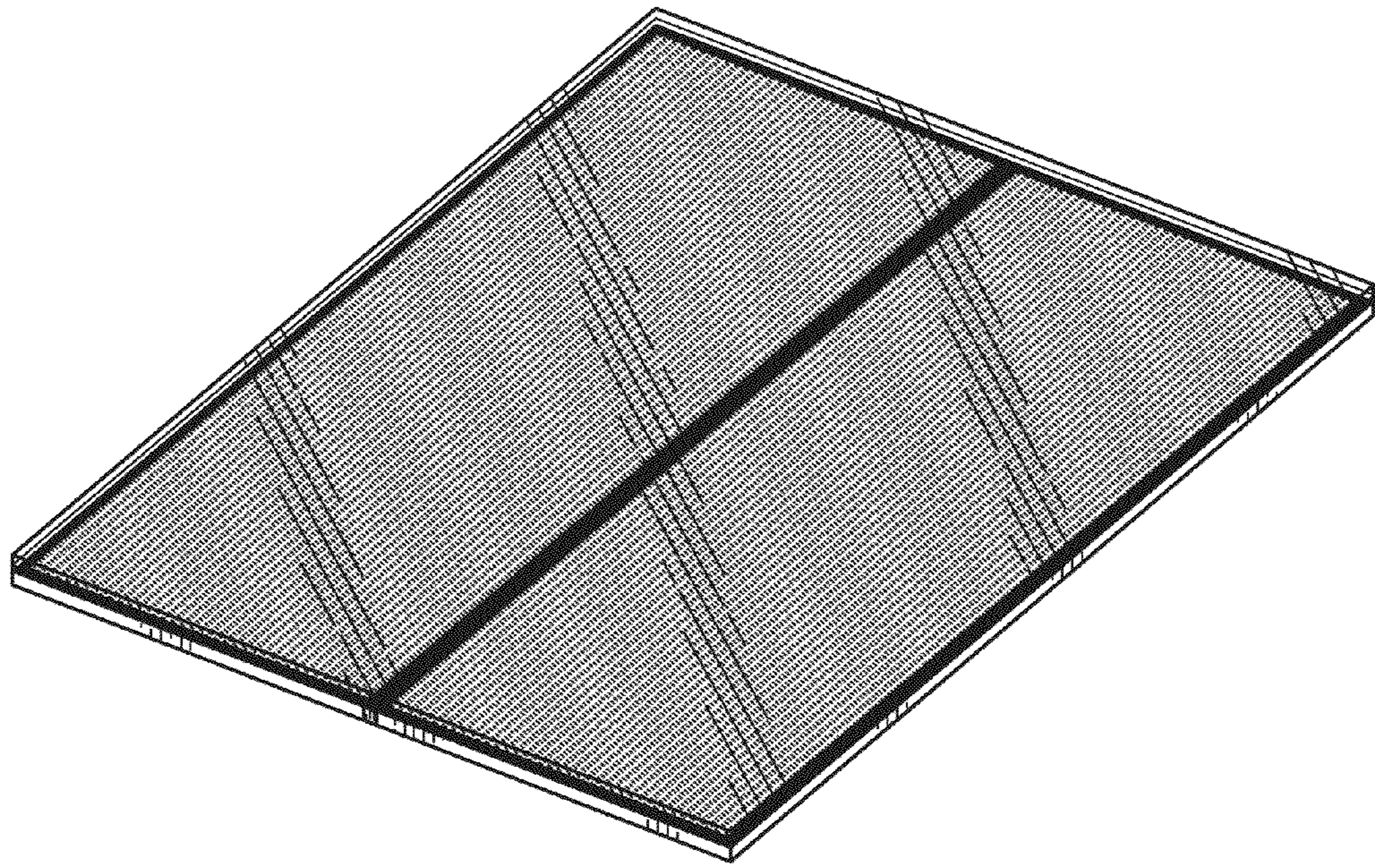


FIG. 1

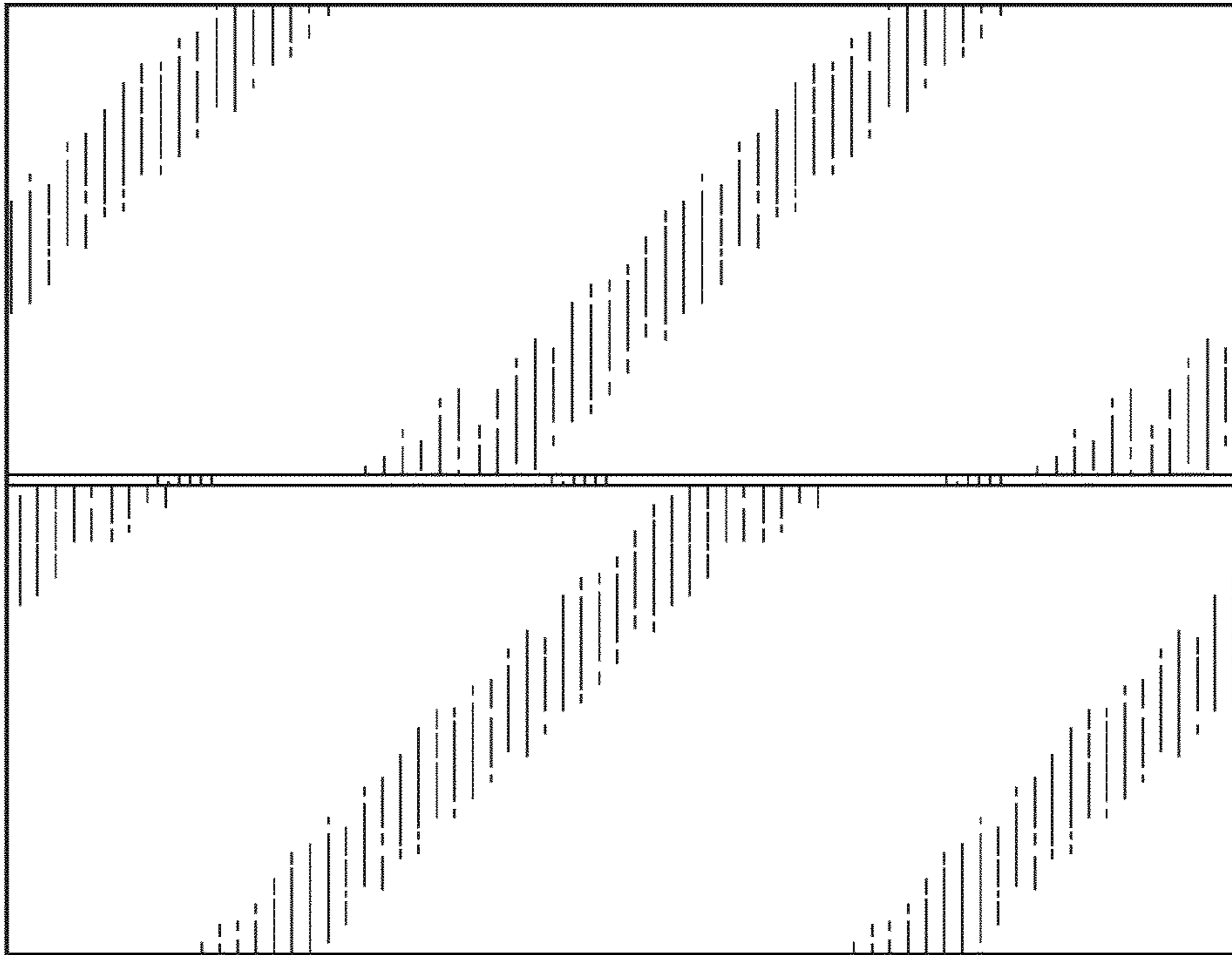


FIG. 3

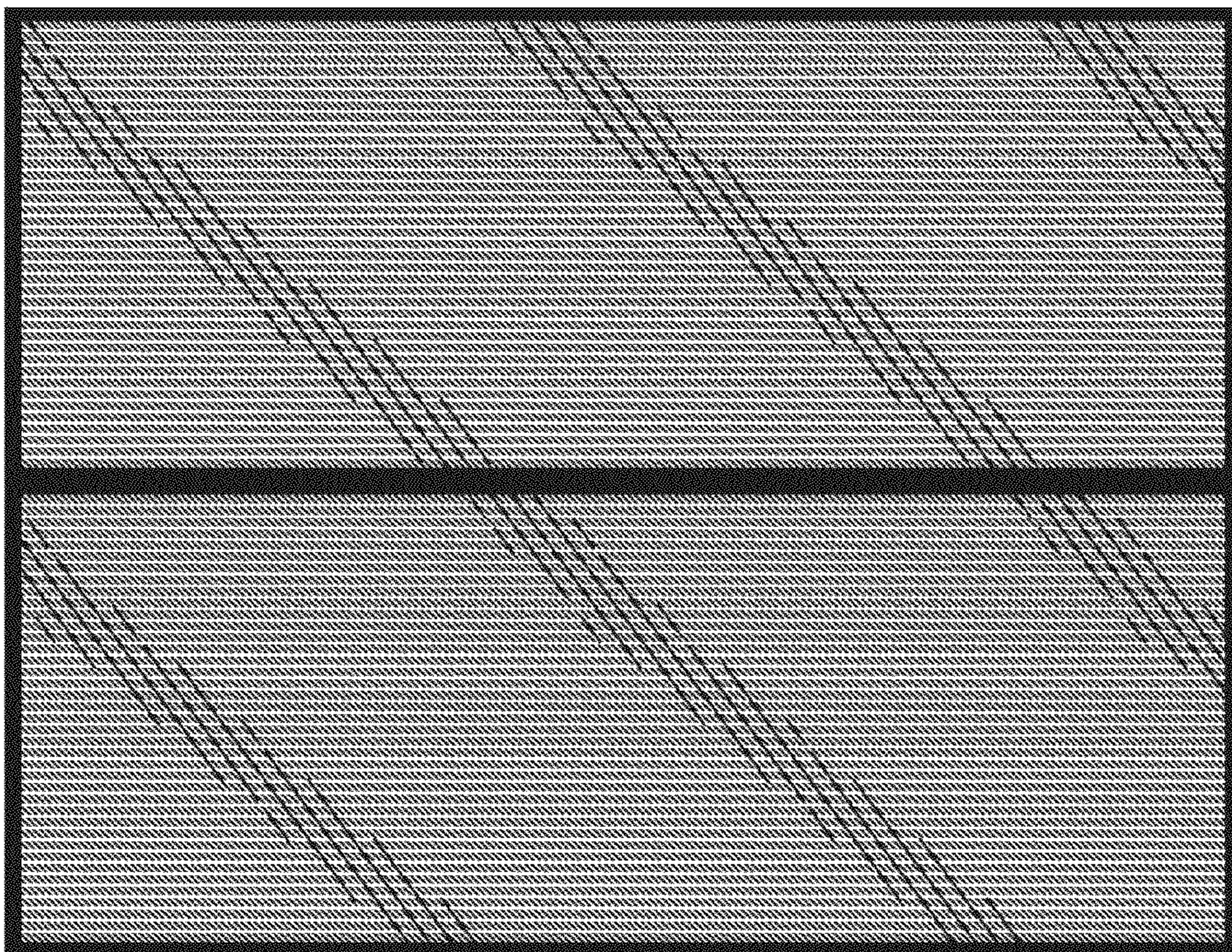


FIG. 2



FIG. 4



FIG. 5



FIG. 6

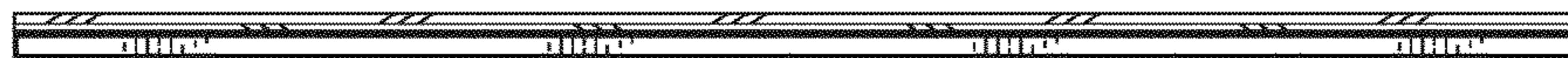


FIG. 7

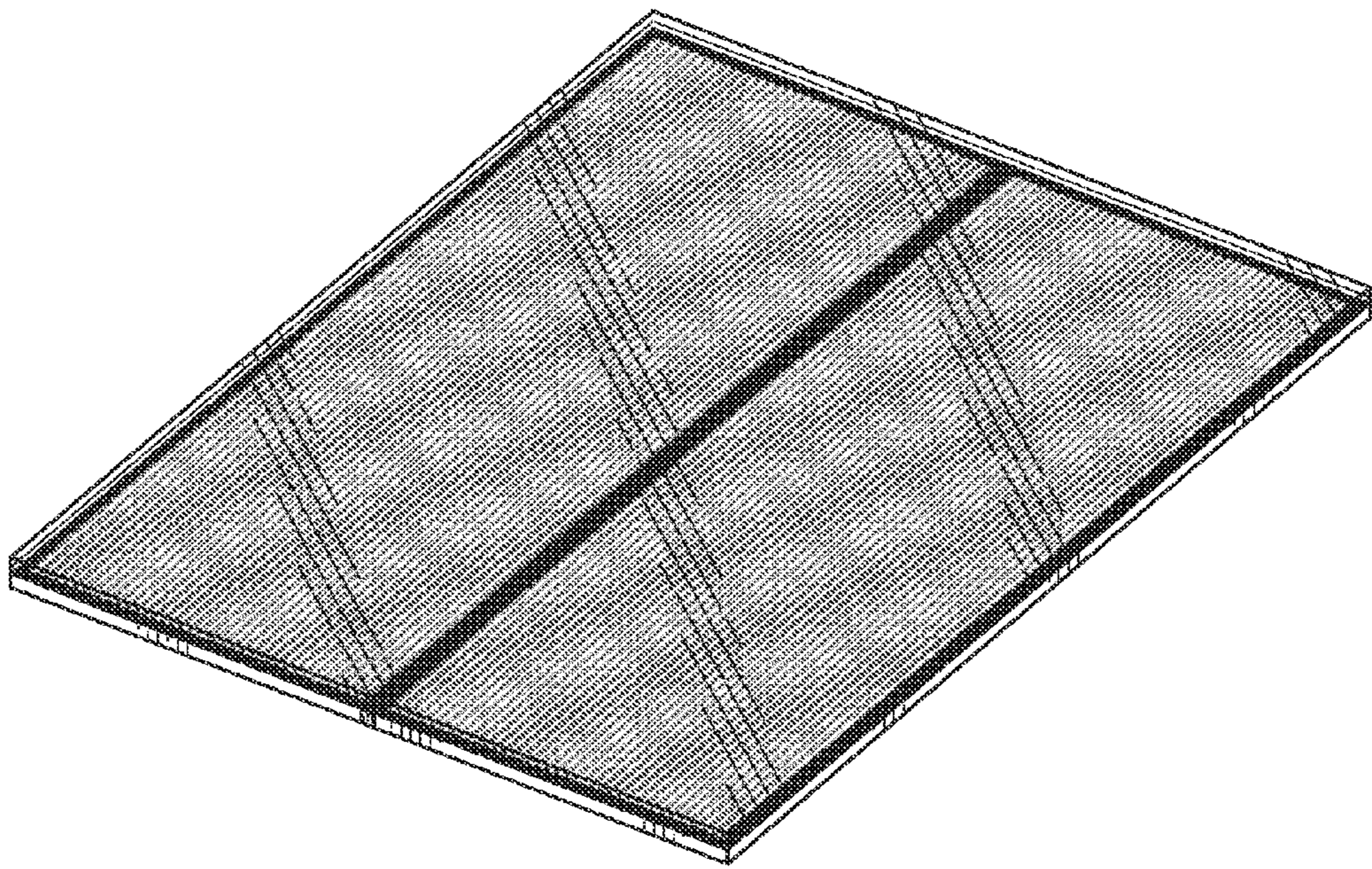


FIG. 8

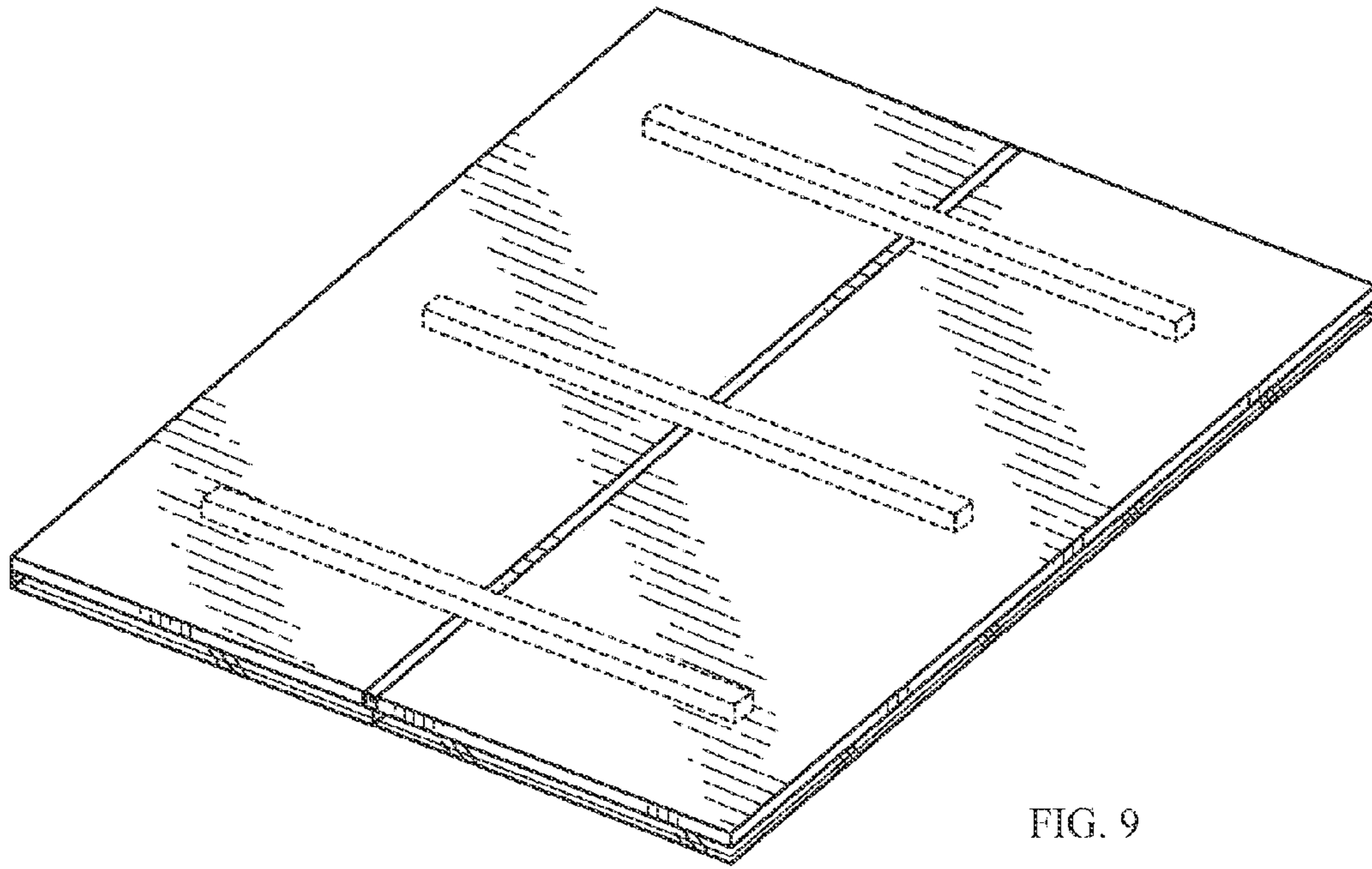


FIG. 9

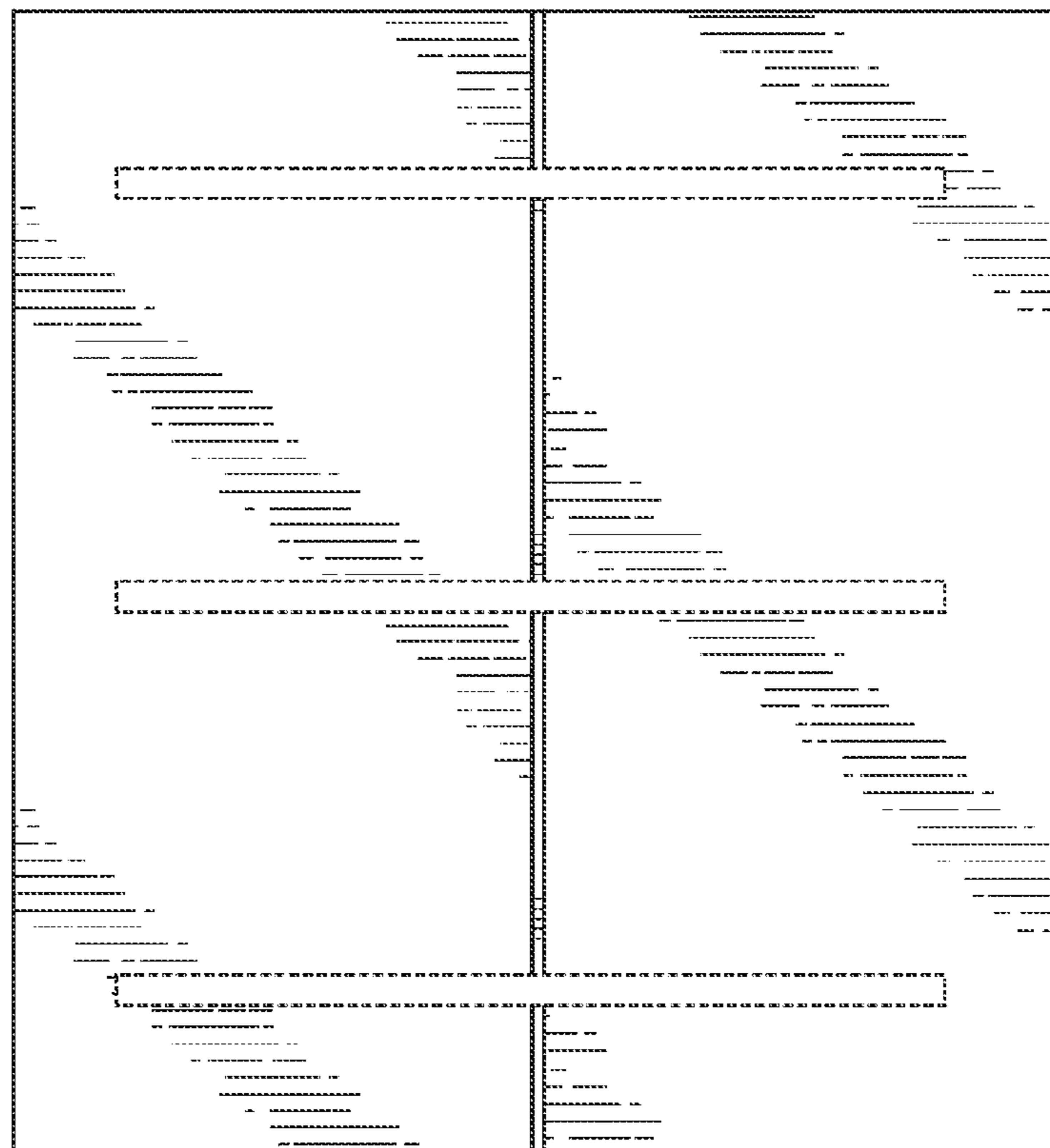


FIG. 10

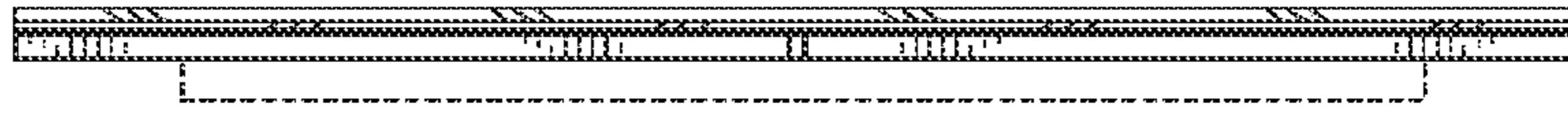


FIG. 11



FIG. 12

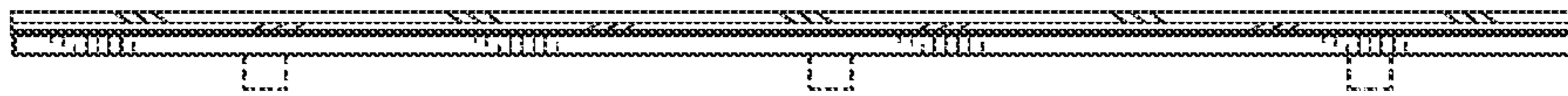


FIG. 13

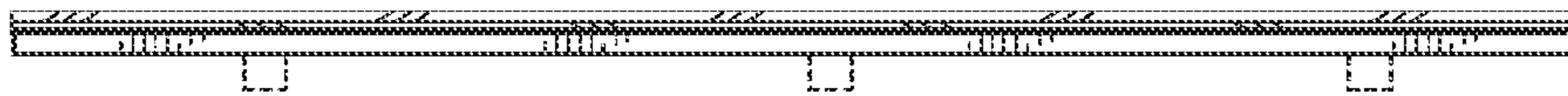


FIG. 14