



US00D679641S

(12) **United States Design Patent**  
**Yamade**

(10) **Patent No.:** **US D679,641 S**

(45) **Date of Patent:** **\*\* Apr. 9, 2013**

(54) **FIT UP PIN FOR AUTOMOTIVE GLASS**

(75) Inventor: **Masanori Yamade**, Vonore, TN (US)

(73) Assignee: **Central Glass Co., Ltd.**, Ube-Shi (JP)

(\*\*) Term: **14 Years**

(21) Appl. No.: **29/371,975**

(22) Filed: **Mar. 13, 2012**

(51) **LOC (9) Cl.** ..... **12-08**

(52) **U.S. Cl.**  
USPC ..... **D12/182**

(58) **Field of Classification Search** ..... D12/182-183,  
D12/317; 296/84.1, 77.1, 96.12, 96.19, 97.1,  
296/95.1; 160/370.21, 370.22; 219/203  
See application file for complete search history.

(56) **References Cited**

U.S. PATENT DOCUMENTS

D468,680	S	*	1/2003	Lee et al.	.....	D12/317
D515,010	S	*	2/2006	Zeiger	.....	D12/317
D517,975	S	*	3/2006	Zeiger	.....	D12/317
D562,753	S	*	2/2008	Wall et al.	.....	D12/317
D562,754	S	*	2/2008	Wall et al.	.....	D12/317
2007/0262582	A1	*	11/2007	Williams	.....	285/404

2008/0050217	A1	*	2/2008	Rice et al.	.....	414/800
2008/0051925	A1	*	2/2008	Rice et al.	.....	700/121
2011/0215568	A1	*	9/2011	Webb	.....	285/330

\* cited by examiner

*Primary Examiner* — Katrina A Betton

(74) *Attorney, Agent, or Firm* — Manabu Kanesaka

(57) **CLAIM**

The ornamental design for a fit up pin for automotive glass, as shown and described.

**DESCRIPTION**

FIG. 1 is a front view of a fit up pin for automotive glass showing my new design;  
 FIG. 2 is a rear view thereof;  
 FIG. 3 is a plan view thereof;  
 FIG. 4 is a bottom view thereof;  
 FIG. 5 is a right side view thereof;  
 FIG. 6 is a left side view thereof;  
 FIG. 7 is an enlarged cross sectional view thereof taken along the line 7-7 in FIG. 1; and,  
 FIG. 8 is a perspective view thereof.  
 The broken lines depict portions of the fit up pin for automotive glass that form no part of claimed design.

**1 Claim, 4 Drawing Sheets**

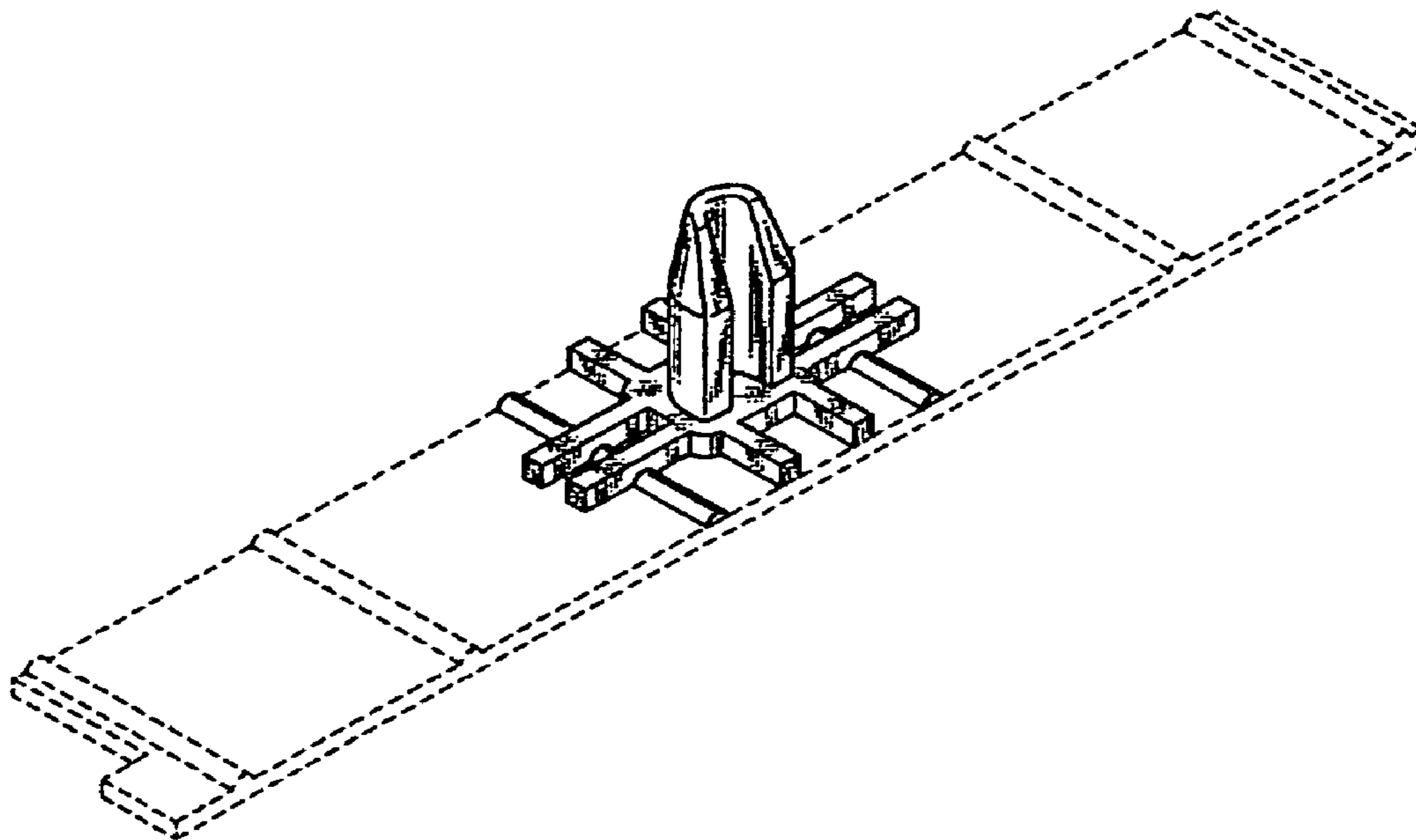


FIG. 1

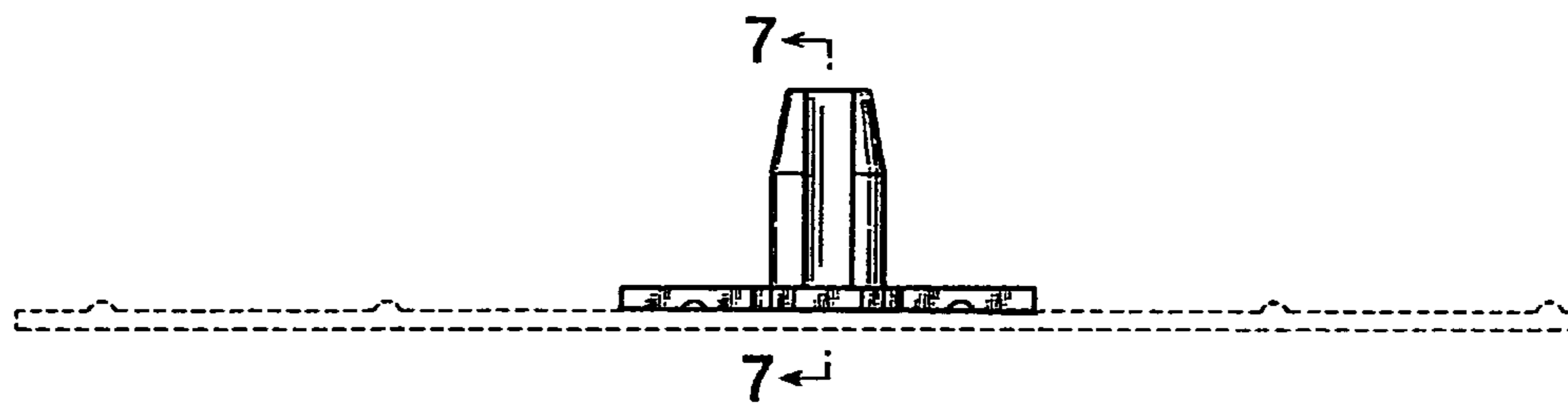


FIG. 2

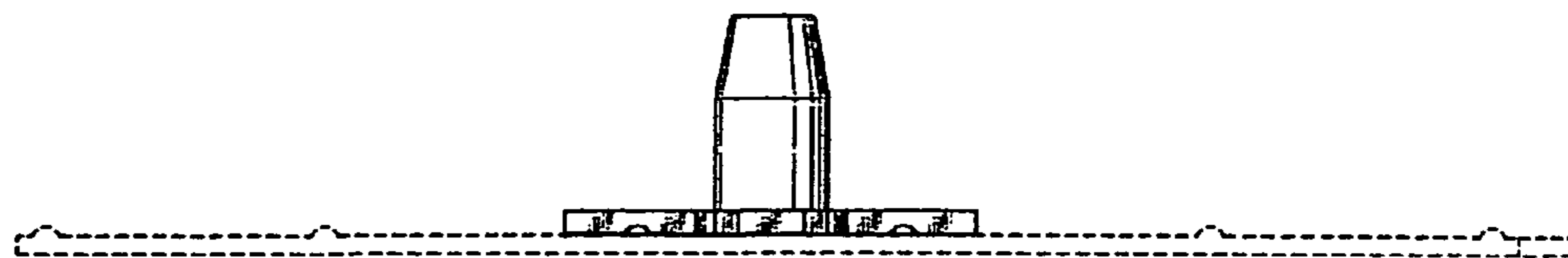


FIG. 3

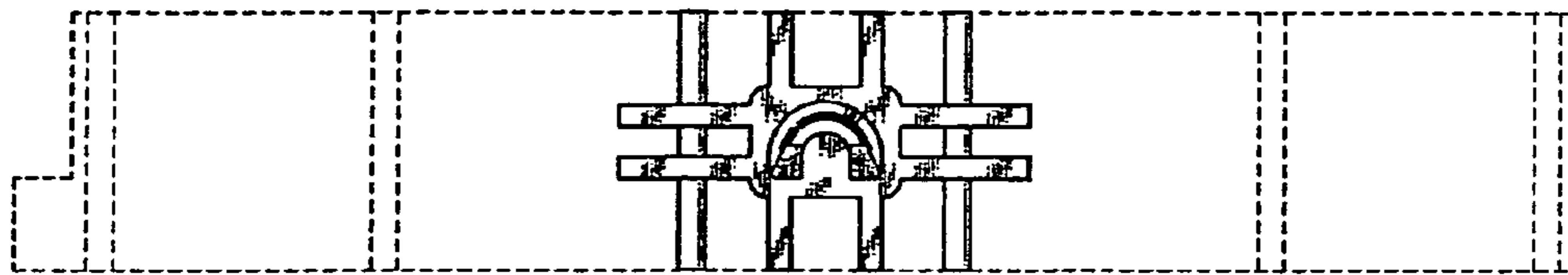


FIG. 4



FIG. 5

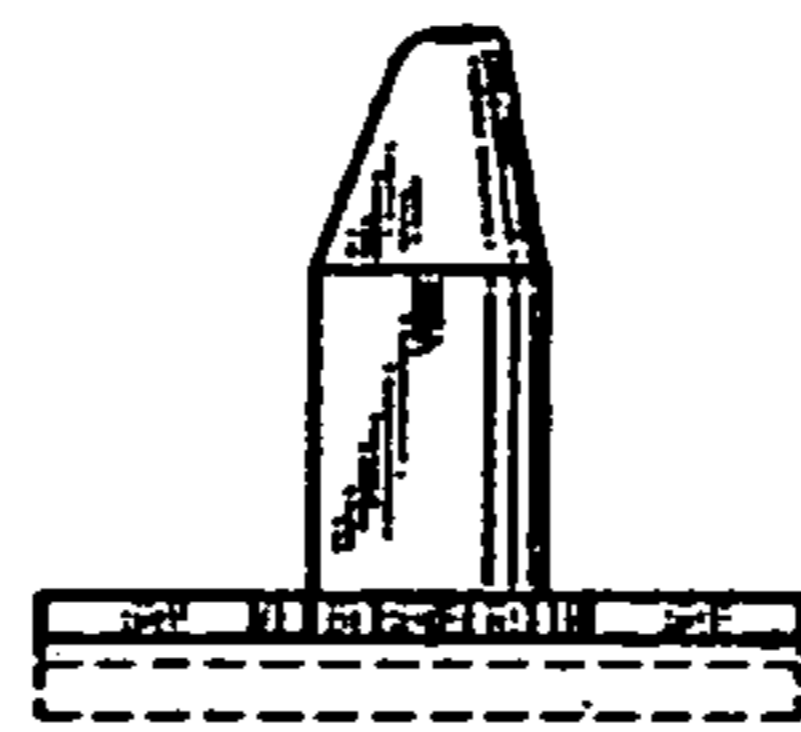


FIG. 6

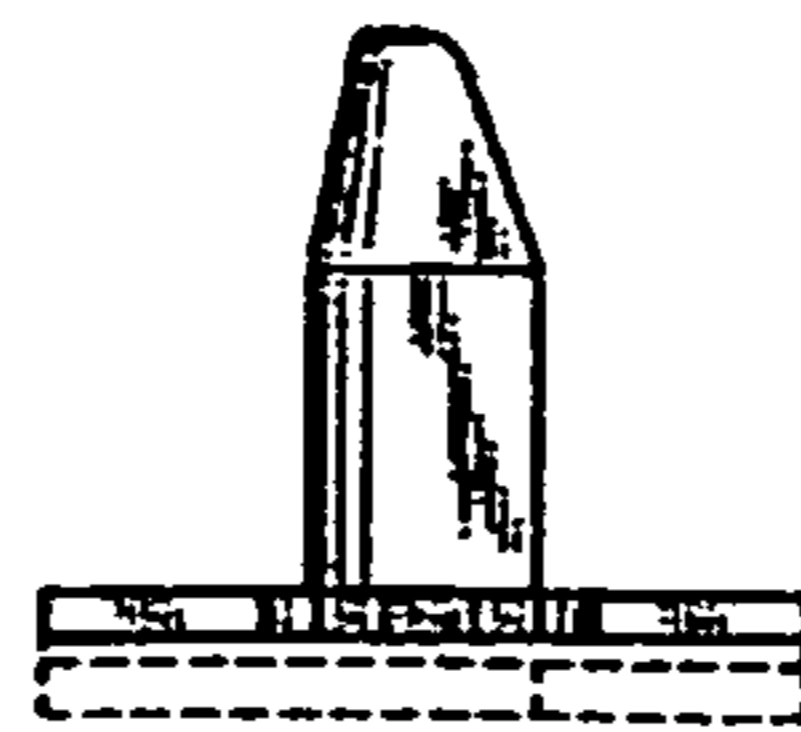


FIG. 7

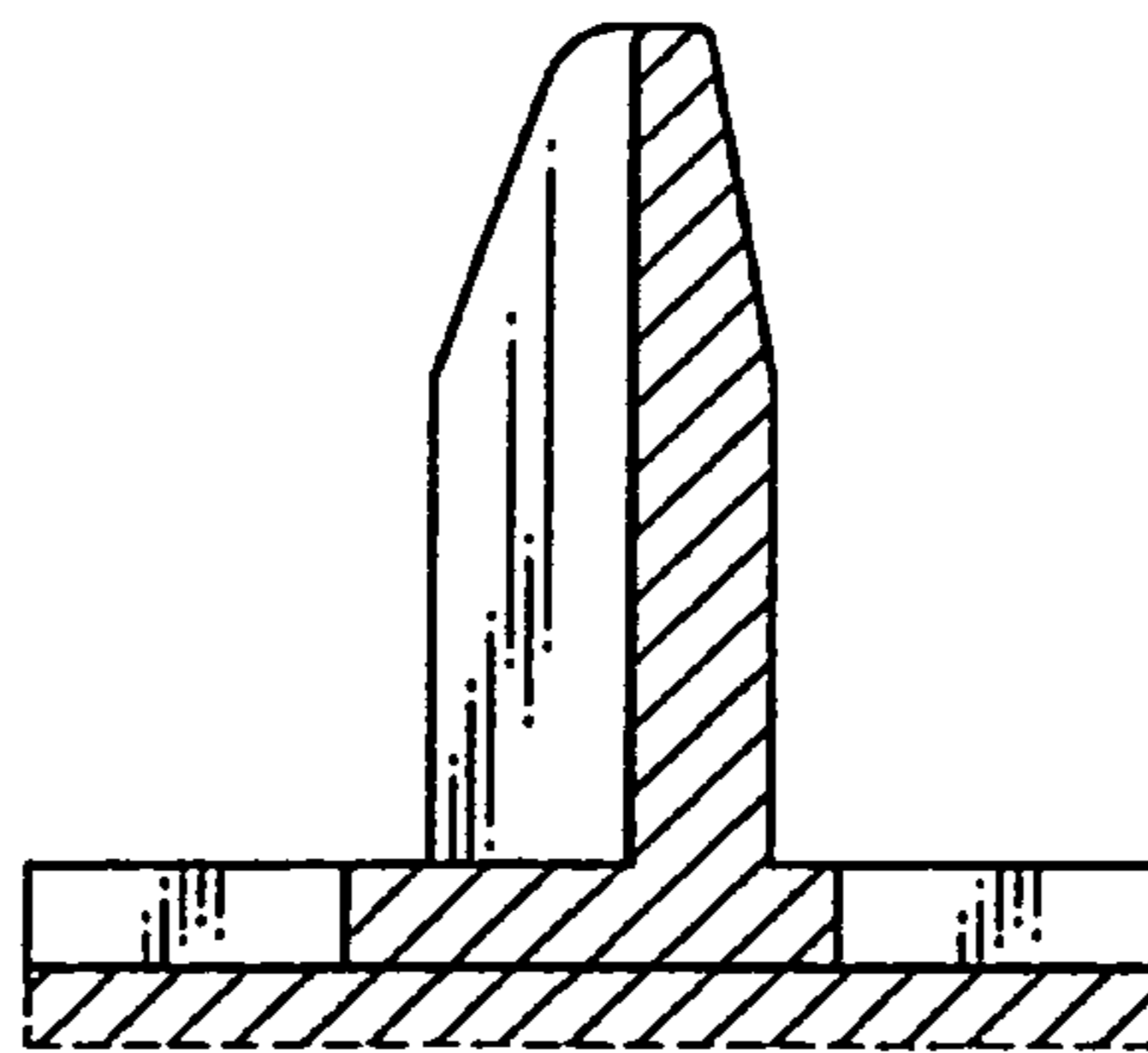


FIG. 8

