



US00D679637S

(12) **United States Design Patent**  
**Mihashi**

(10) **Patent No.:** **US D679,637 S**  
(45) **Date of Patent:** **\*\* Apr. 9, 2013**

(54) **STEERING PAD FOR AN AUTOMOBILE**

(75) Inventor: **Osamu Mihashi**, Saitama (JP)

(73) Assignee: **Honda Motor Co., Ltd**, Tokyo (JP)

(\*\*) Term: **14 Years**

(21) Appl. No.: **29/424,054**

(22) Filed: **Jun. 7, 2012**

(30) **Foreign Application Priority Data**

Dec. 7, 2011 (JP) ..... 2011-028367

(51) **LOC (9) Cl.** ..... **12-16**

(52) **U.S. Cl.** ..... **D12/177**

(58) **Field of Classification Search** ..... D12/175,  
D12/176, 177; 74/552, 558, 558.5; 280/728.2,  
280/728.3, 731

See application file for complete search history.

(56) **References Cited**

**U.S. PATENT DOCUMENTS**

5,369,232 A \* 11/1994 Leonelli ..... 200/61.54  
6,053,526 A \* 4/2000 Preisler et al. .... 280/728.2  
D438,151 S \* 2/2001 Pfeiffer ..... D12/176  
D576,929 S \* 9/2008 Nakajima et al. .... D12/176

D593,010 S \* 5/2009 Yamazaki ..... D12/176  
D600,611 S \* 9/2009 Pohanka ..... D12/176  
D600,612 S \* 9/2009 Hwang et al. .... D12/176  
7,622,169 B2 \* 11/2009 Oh ..... 428/31  
D620,853 S \* 8/2010 Wiedeman et al. .... D12/176  
7,887,088 B2 \* 2/2011 Worrell et al. .... 280/731  
D640,619 S \* 6/2011 Araki et al. .... D12/176  
D651,542 S \* 1/2012 Nagasawa et al. .... D12/176  
8,286,766 B2 \* 10/2012 Terada et al. .... 188/379

\* cited by examiner

*Primary Examiner* — Philip S Hyder

*Assistant Examiner* — Darlington Ly

(74) *Attorney, Agent, or Firm* — Westerman, Hattori,  
Daniels & Adrian, LLP

(57) **CLAIM**

The ornamental design for, a steering pad for an automobile,  
as shown and described.

**DESCRIPTION**

FIG. 1 is a perspective view of a steering pad for an automob-  
ile, showing our new design;

FIG. 2 is a front elevation view thereof;

FIG. 3 is a top plan view thereof; and,

FIG. 4 is a right side elevation view thereof.

The broken lines shown in the drawings illustrate portions of  
the steering pad for an automobile that forms no part of  
claimed design.

**1 Claim, 4 Drawing Sheets**

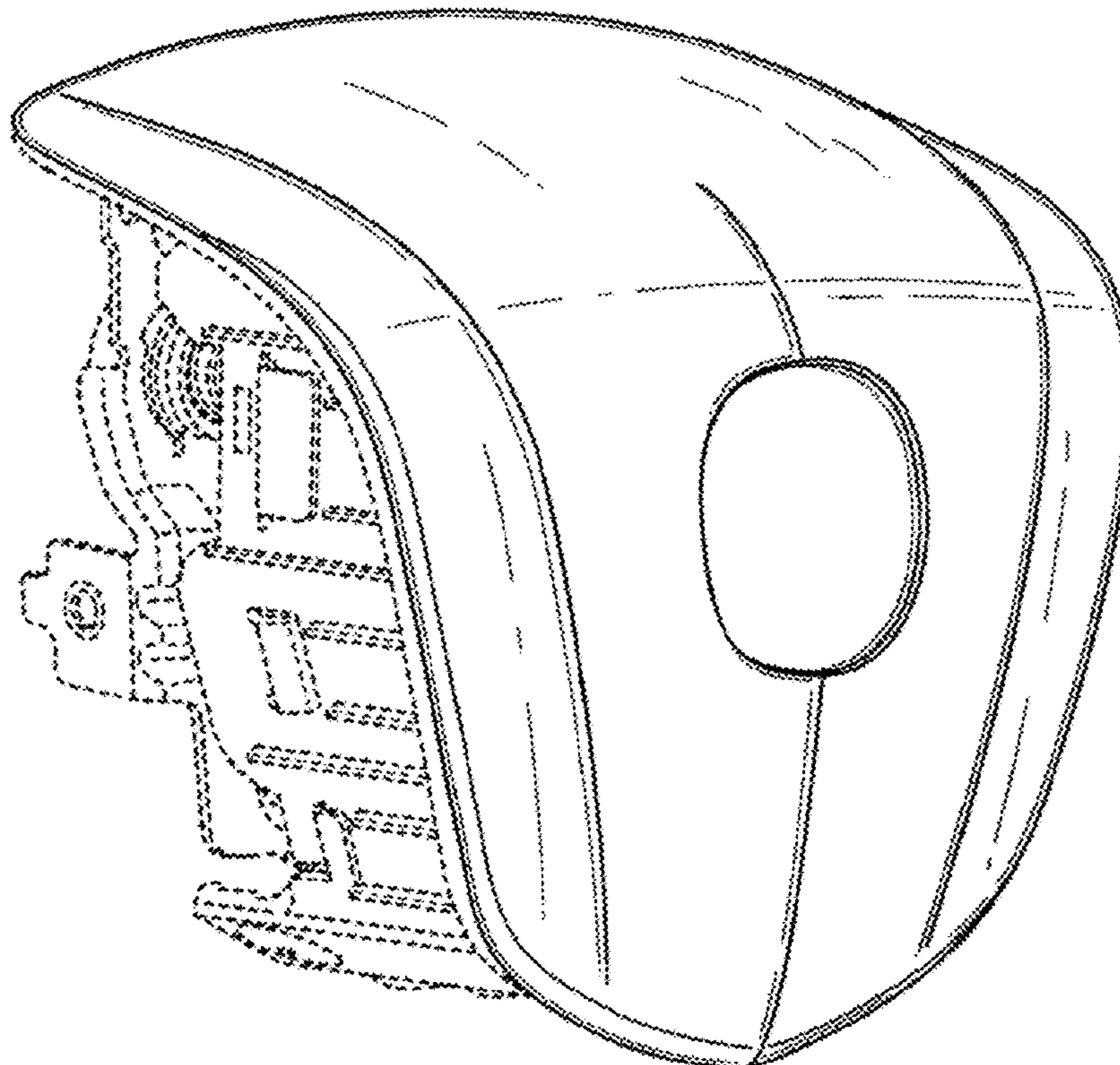


Fig. 1

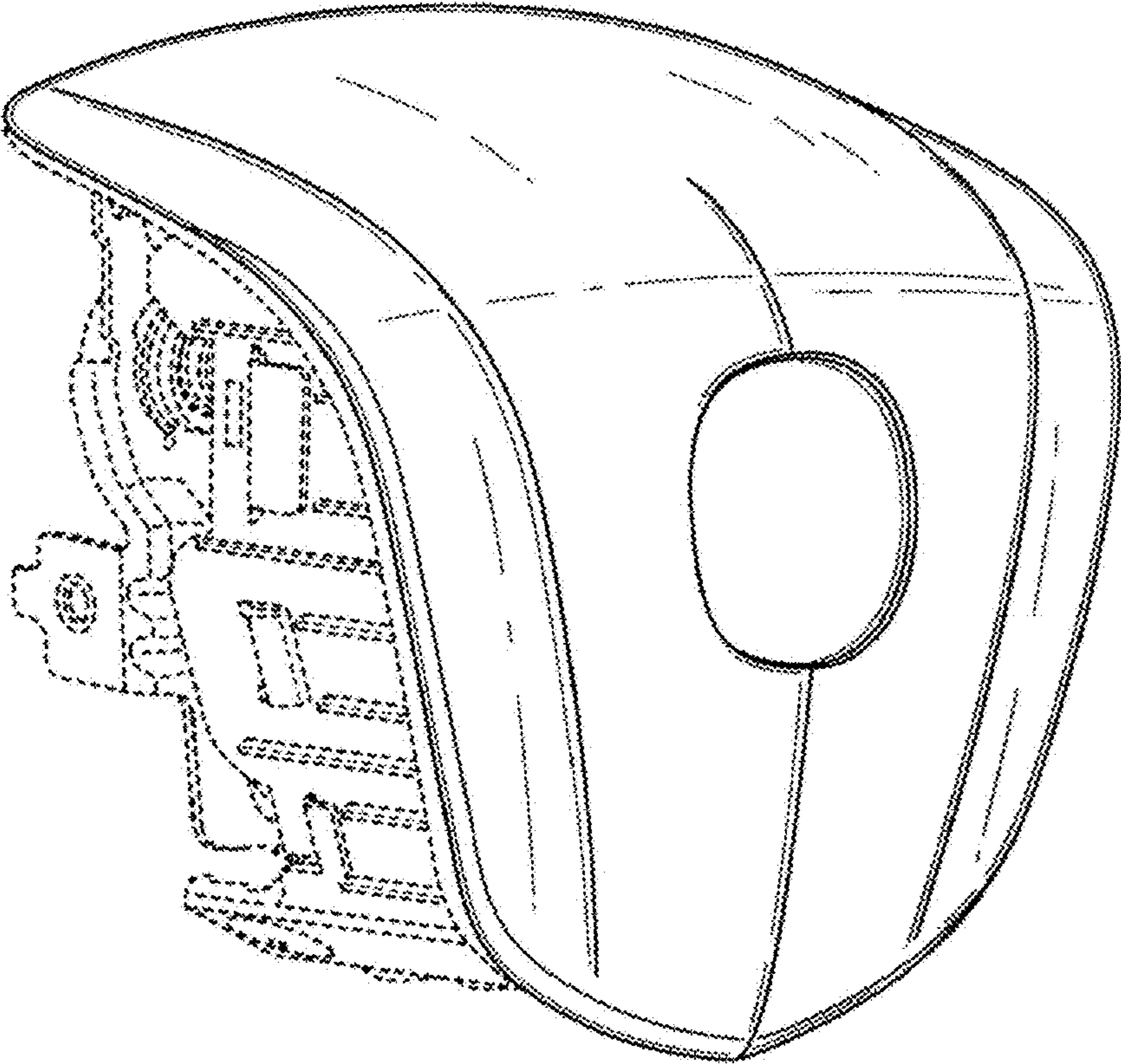


Fig. 2

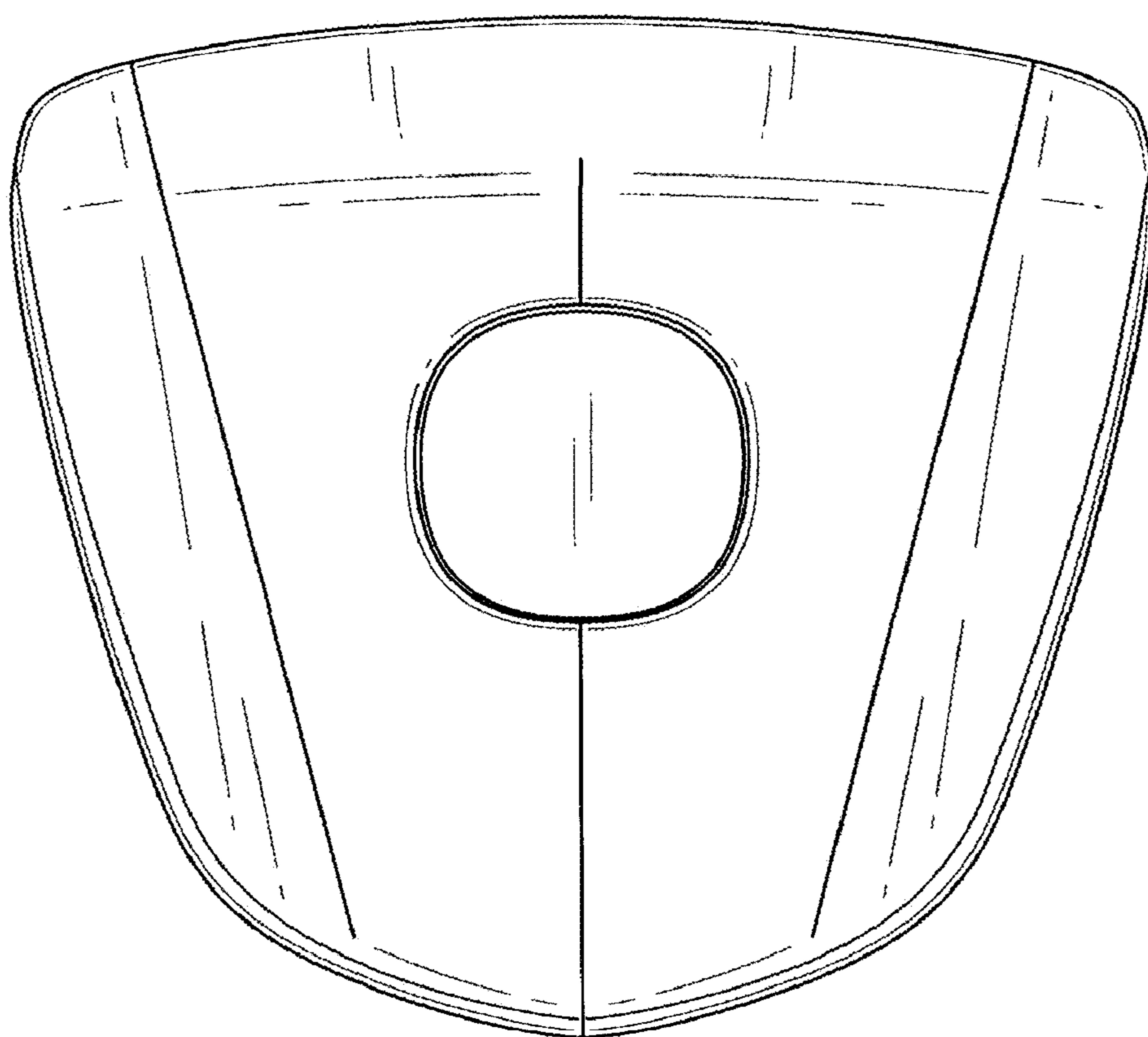


Fig. 3

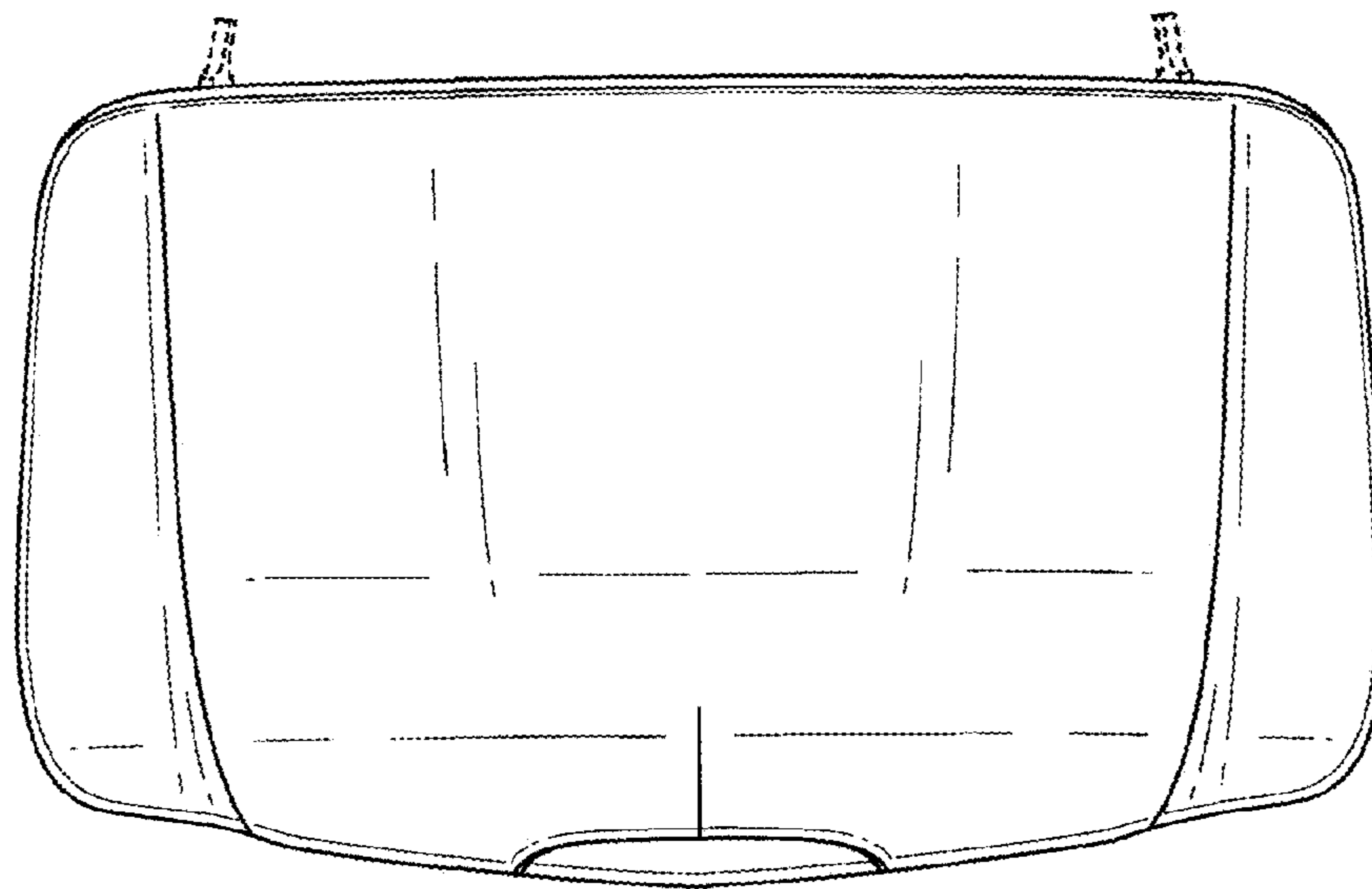


Fig. 4

