



US00D679636S

(12) **United States Design Patent**
Schmeckpeper

(10) **Patent No.:** **US D679,636 S**

(45) **Date of Patent:** **** Apr. 9, 2013**

(54) **VEHICLE REAR BUMPER**

(75) Inventor: **Daniel E Schmeckpeper**, Clarkston, MI
(US)

(73) Assignee: **GM Global Technology Operations**
LLC, Detroit, MI (US)

(**) Term: **14 Years**

(21) Appl. No.: **29/407,514**

(22) Filed: **Nov. 30, 2011**

(51) **LOC (9) Cl.** **12-16**

(52) **U.S. Cl.** **D12/169**

(58) **Field of Classification Search** D12/163,
D12/171, 196, 216, 90-92, 86, 164, 169;
293/102, 103, 105, 112, 113, 115, 117; 296/180.1,
296/180.2

See application file for complete search history.

(56) **References Cited**

U.S. PATENT DOCUMENTS

D610,503	S	*	2/2010	Bucher et al.	D12/169
D637,535	S	*	5/2011	Yukawa et al.	D12/169
D640,613	S	*	6/2011	Bauer et al.	D12/169
D644,575	S	*	9/2011	Messale	D12/169
D671,049	S	*	11/2012	Davidson et al.	D12/169

* cited by examiner

Primary Examiner — Melody N Brown

(74) *Attorney, Agent, or Firm* — Parks IP Law LLC; Mickki D. Murray

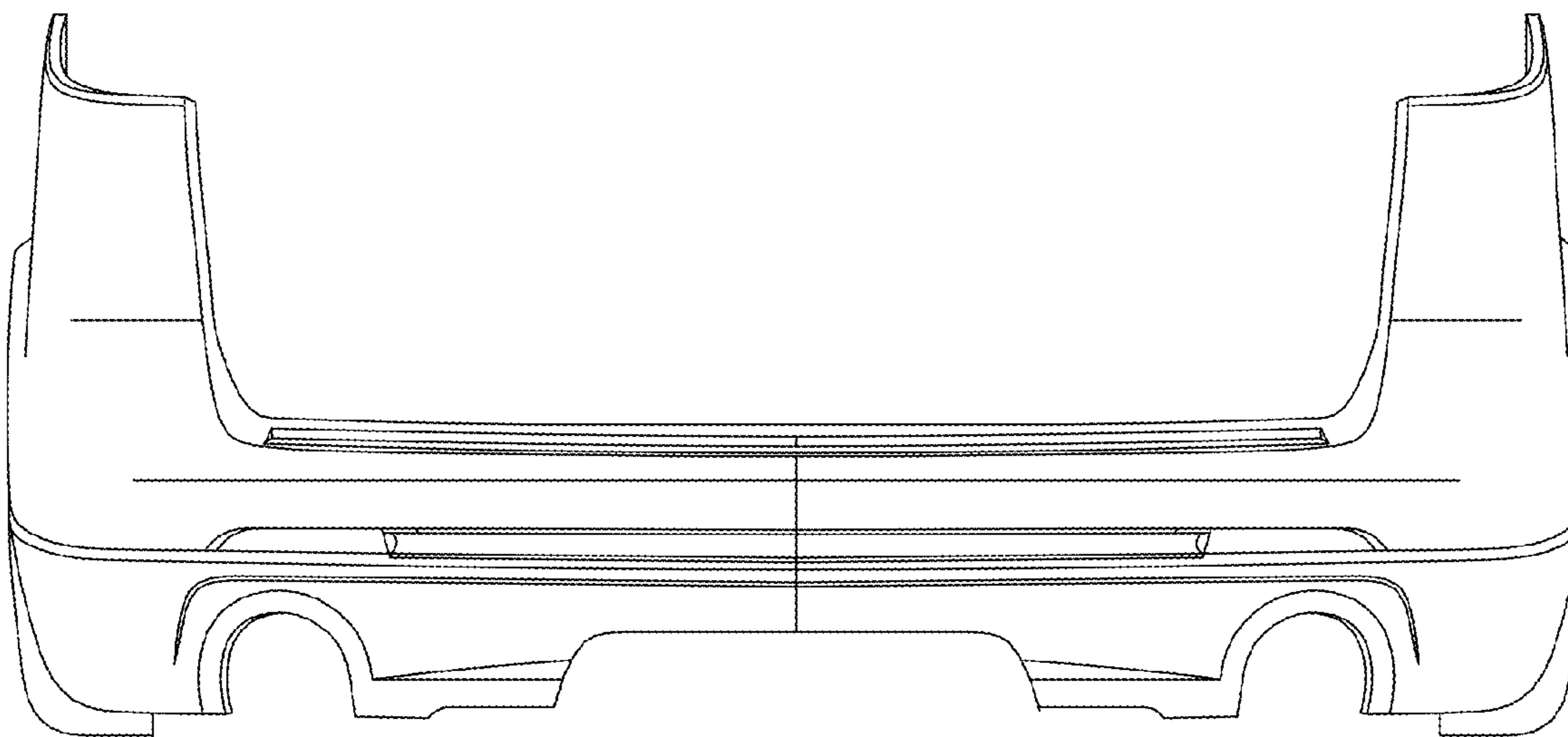
(57) **CLAIM**

The ornamental design for a vehicle rear bumper, as shown and described.

DESCRIPTION

FIG. 1 is perspective view of a vehicle rear bumper showing the new design;
FIG. 2 is a front view, thereof;
FIG. 3 is a side view, thereof; and,
FIG. 4 is a top plan view, thereof.

1 Claim, 1 Drawing Sheet



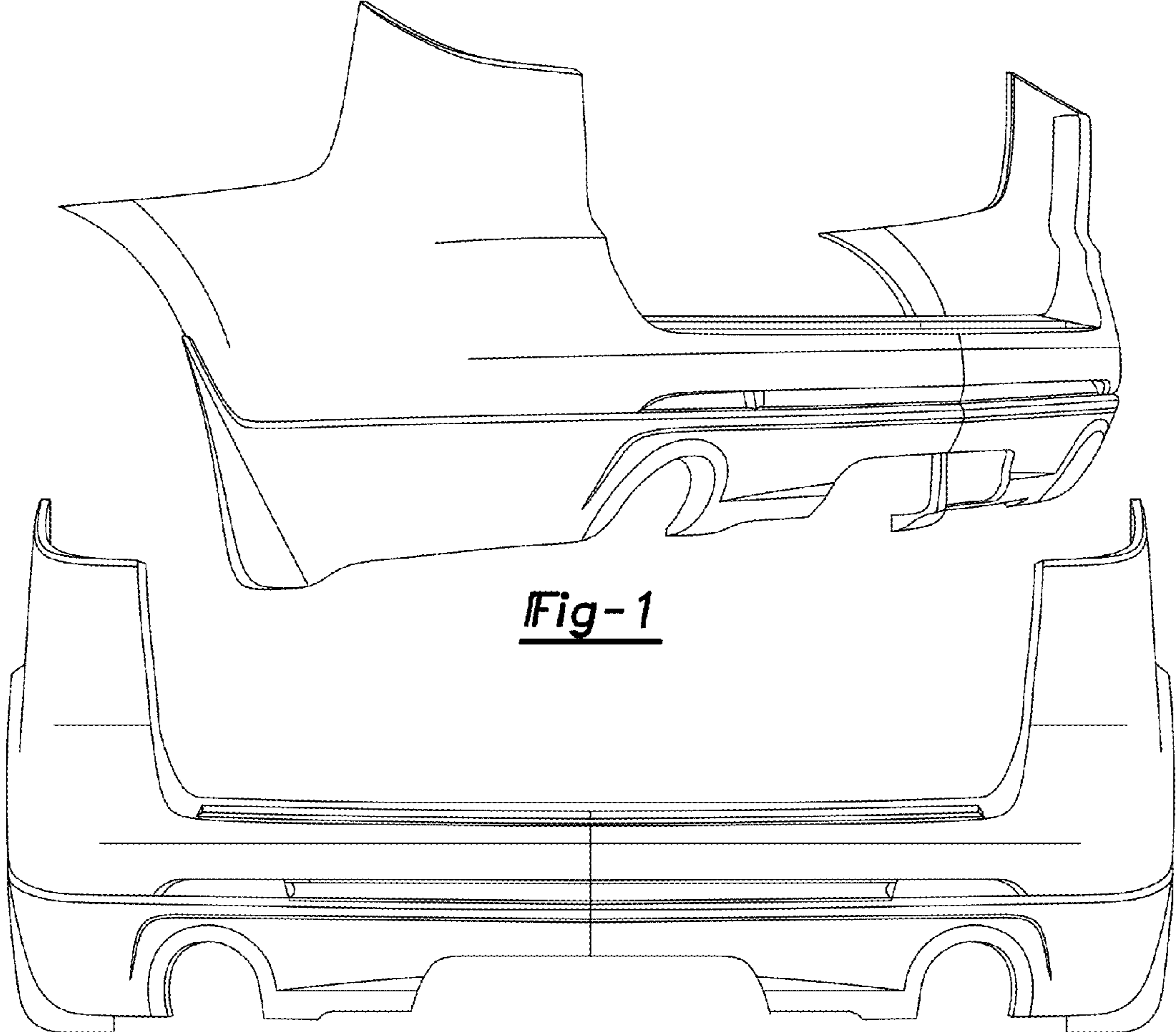


Fig-1

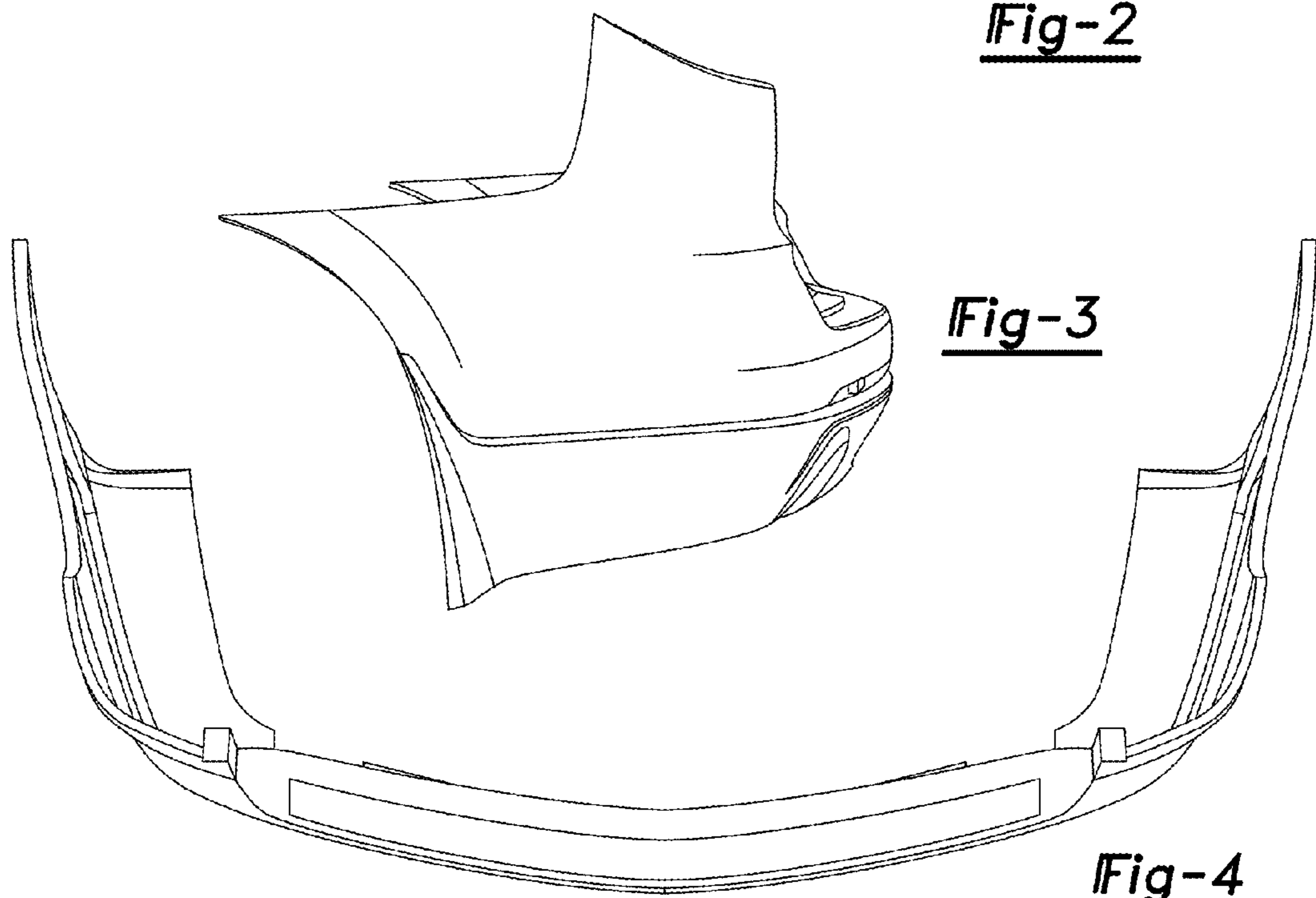


Fig-2

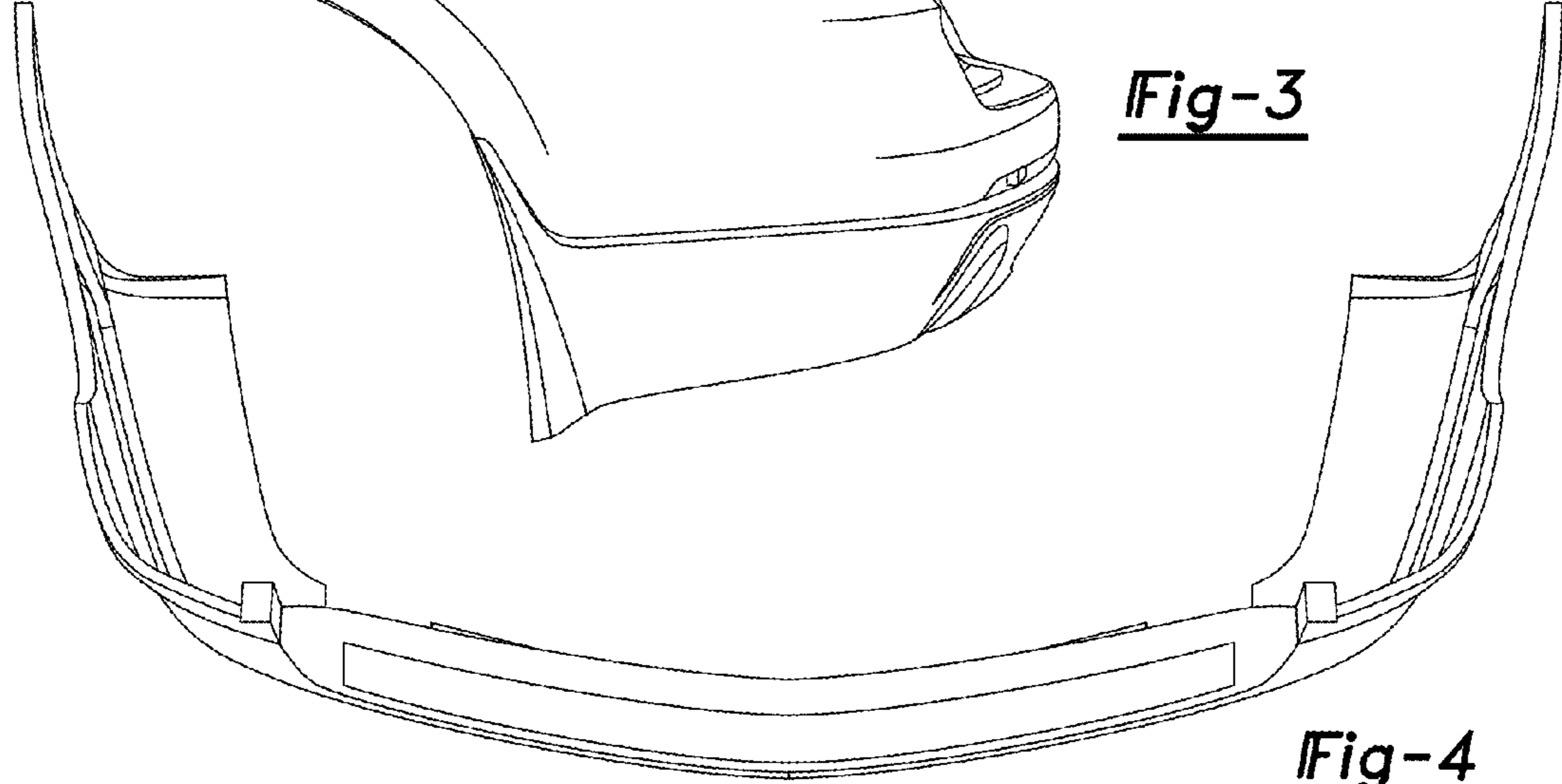


Fig-3

Fig-4