

US00D679633S

(12) **United States Design Patent**  
**Sonoda et al.**

(10) **Patent No.:** **US D679,633 S**  
(45) **Date of Patent:** **\*\* Apr. 9, 2013**

(54) **MOTOR VEHICLE AND/OR TOY REPLICA THEREOF**

FOREIGN PATENT DOCUMENTS

EM 000856018-0001 7/2008

(75) Inventors: **Tatsuya Sonoda**, Sophia Antipolis (FR); **Chung Lee**, Ann Arbor, MI (US); **Scott Roller**, Ann Arbor, MI (US); **Ian Cartabiano**, Newport Beach, CA (US)

OTHER PUBLICATIONS

Lincoln, Lincoln MKT Concept (2008), NetCarShow.com, [http://www.netcarshow.com/lincoln/2008-mkt\\_concept/](http://www.netcarshow.com/lincoln/2008-mkt_concept/), Sep. 30, 2010.  
Toyota, Toyota Highlander (2008), NetCarShow.com, <http://www.netcarshow.com/toyota/2008-highlander/>, Sep. 30, 2010.  
Mazda, Mazda CX-7 (2007), NetCarShow.com, <http://www.netcarshow.com/mazda/2007-cx-7/>, Sep. 30, 2010.

(73) Assignee: **Toyota Jidosha Kabushiki Kaisha** (JP)

(\*\*) Term: **14 Years**

\* cited by examiner

(21) Appl. No.: **29/393,110**

*Primary Examiner* — Melody N Brown

(22) Filed: **May 31, 2011**

(74) *Attorney, Agent, or Firm* — SAIDMAN DesignLaw Group

(51) **LOC (9) Cl.** ..... **12-16**

(52) **U.S. Cl.**  
USPC ..... **D12/163**

(58) **Field of Classification Search** ..... D12/86,  
D12/90-92; D21/424, 433, 434; 296/181.1,  
296/181.5

(57) **CLAIM**

The ornamental design for a motor vehicle and/or toy replica thereof, as shown and described.

See application file for complete search history.

(56) **References Cited**

**DESCRIPTION**

U.S. PATENT DOCUMENTS

D578,232 S	10/2008	Roller	
D581,562 S	11/2008	Lee	
D583,710 S	12/2008	Sonoda et al.	
D583,722 S	12/2008	Sonoda et al.	
D583,727 S	12/2008	Sonoda et al.	
D584,202 S	1/2009	Sonoda et al.	
D585,341 S	1/2009	Sonoda et al.	
D626,886 S *	11/2010	Sakae et al.	D12/91
D633,823 S *	3/2011	Matei et al.	D12/91
D642,093 S *	7/2011	Kubo et al.	D12/91
D655,648 S *	3/2012	Imaiida et al.	D12/91
D657,715 S *	4/2012	Hakamata et al.	D12/91

FIG. 1 is a front, left perspective view of a first embodiment of a motor vehicle and/or toy replica thereof showing our new design;

FIG. 2 is a front, right perspective view thereof;

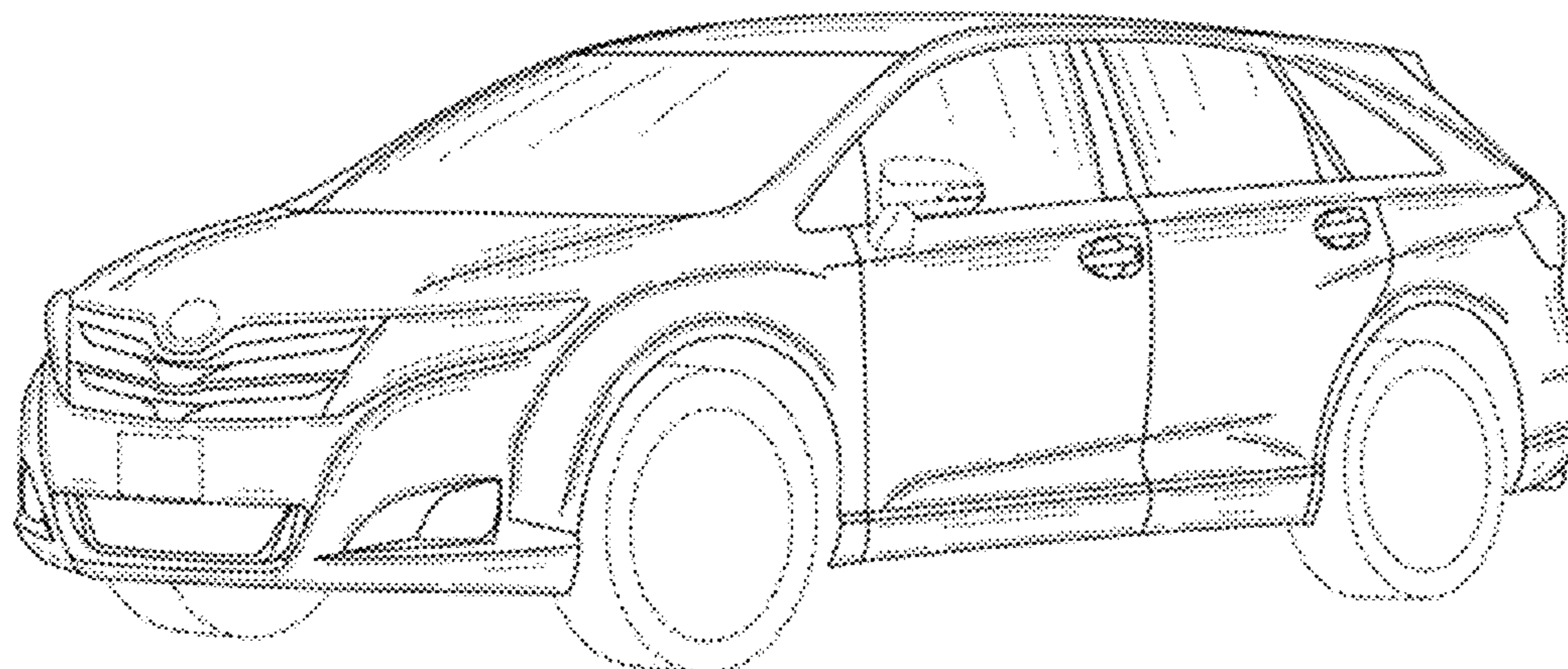
FIG. 3 is a front view thereof, the rear view being a mirror image thereof;

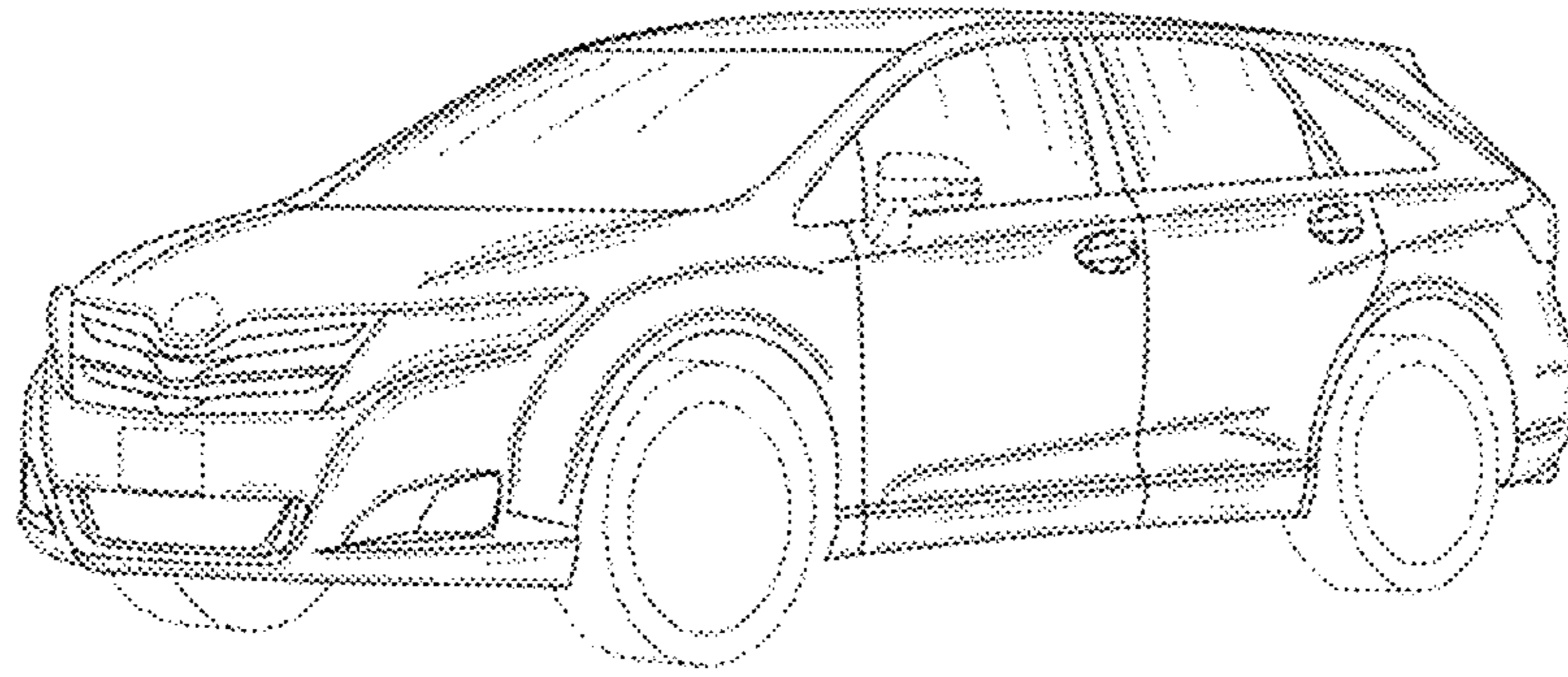
FIG. 4 is a top view thereof;

FIG. 5 is a left side view thereof; and,

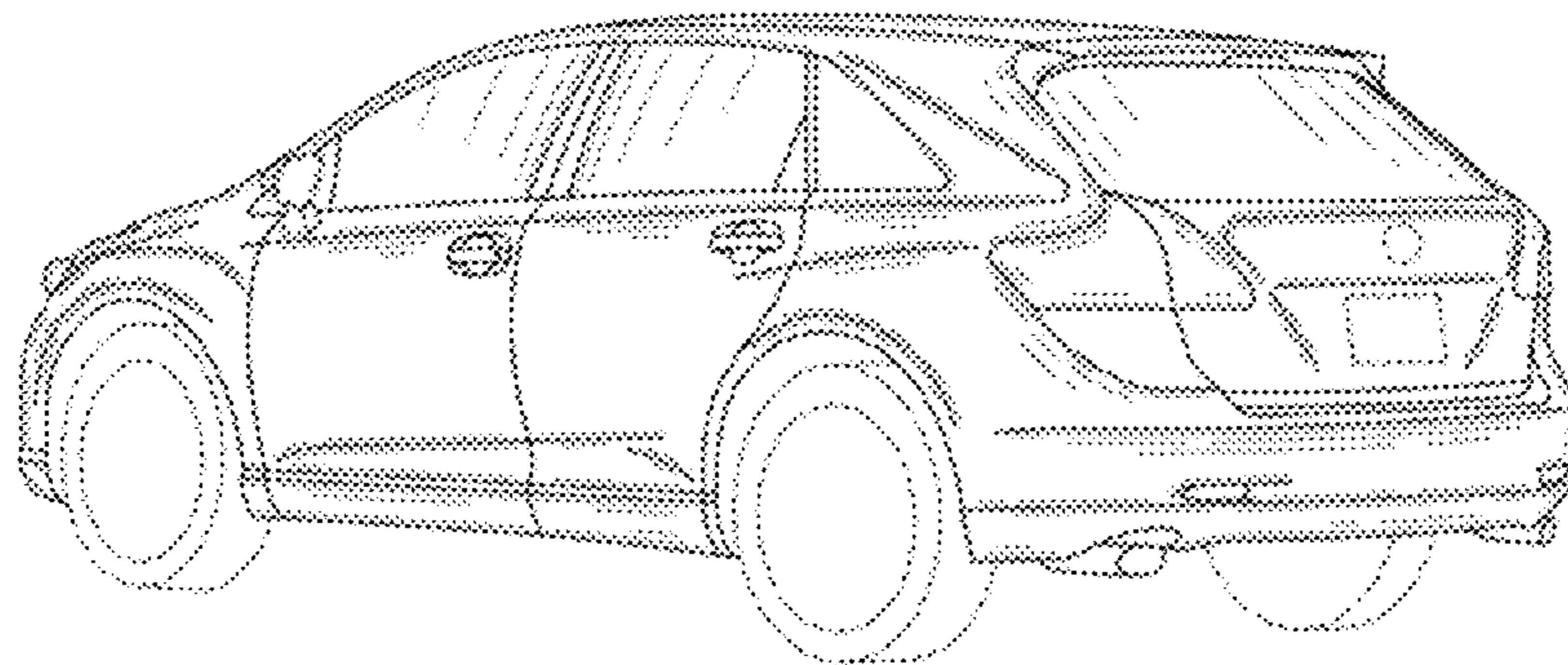
FIG. 6 is a right side view thereof.

**1 Claim, 2 Drawing Sheets**

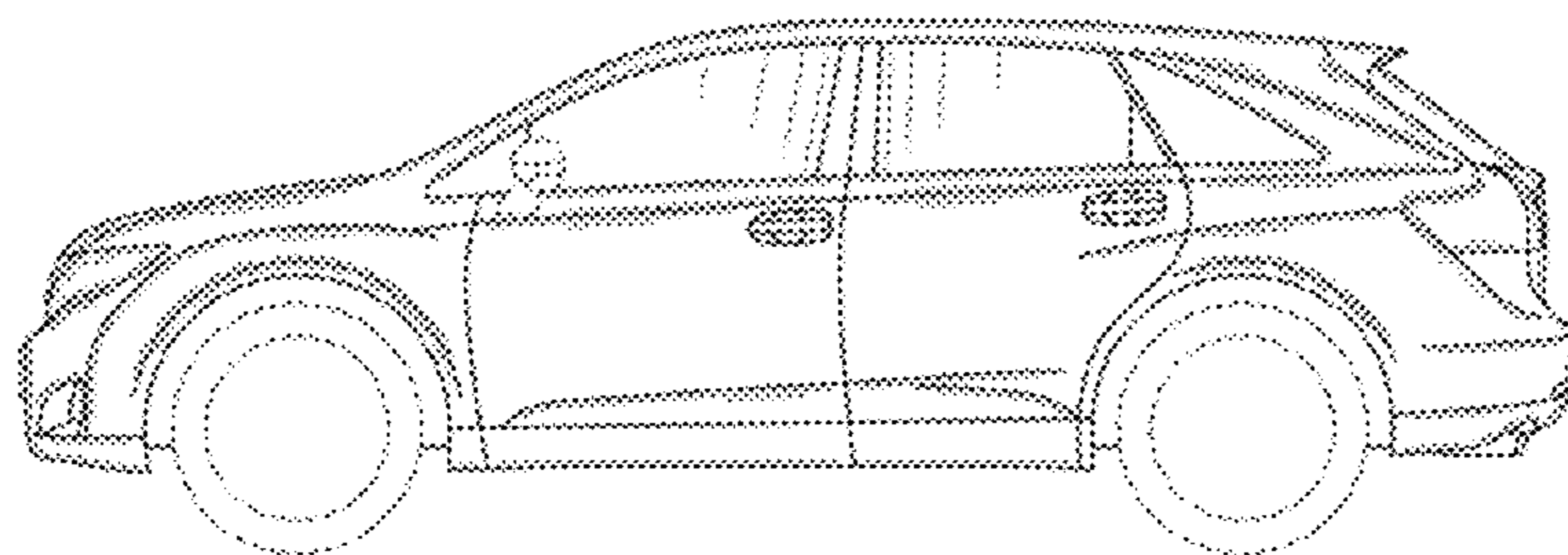




**FIG. 1**



**FIG. 2**



**FIG. 3**

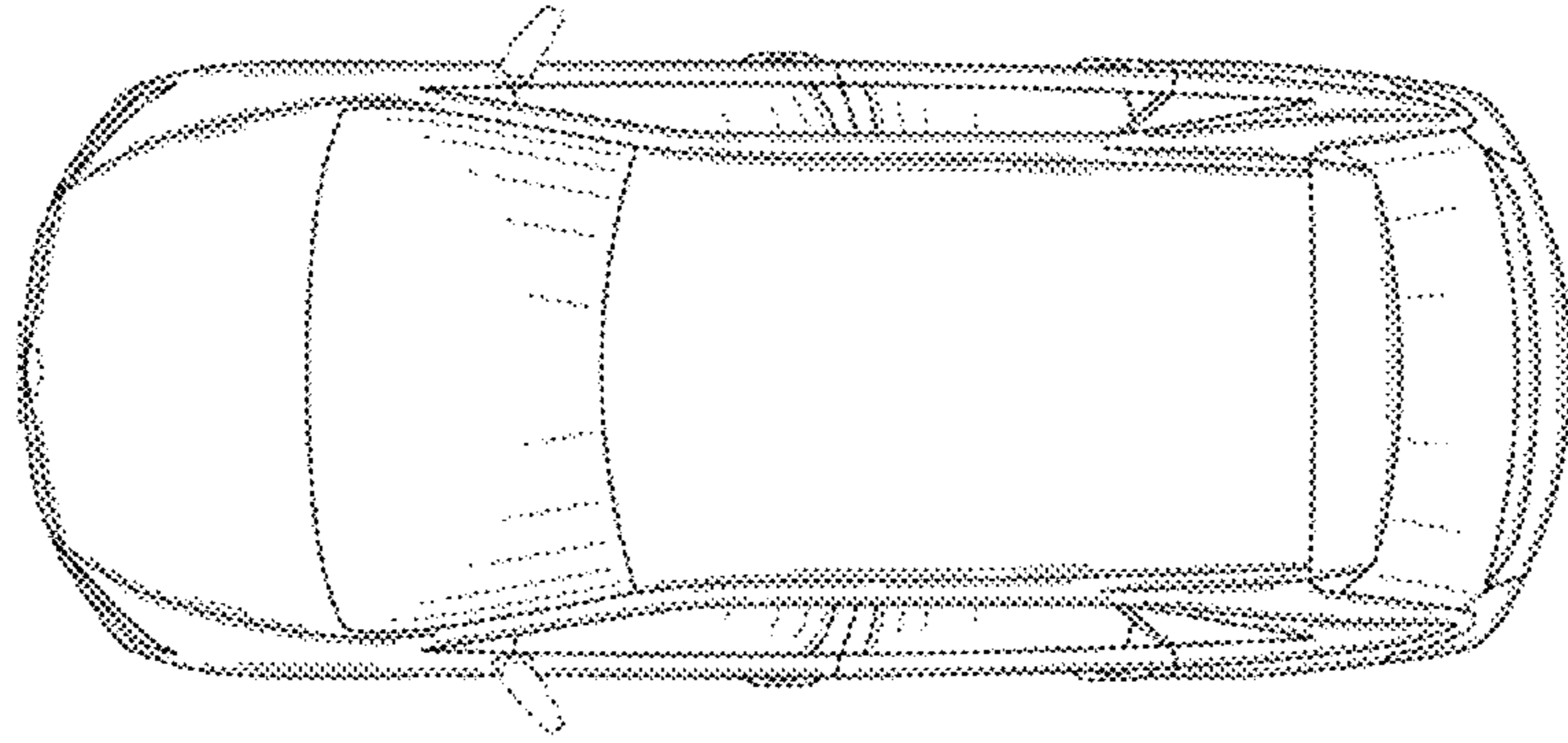


FIG. 4

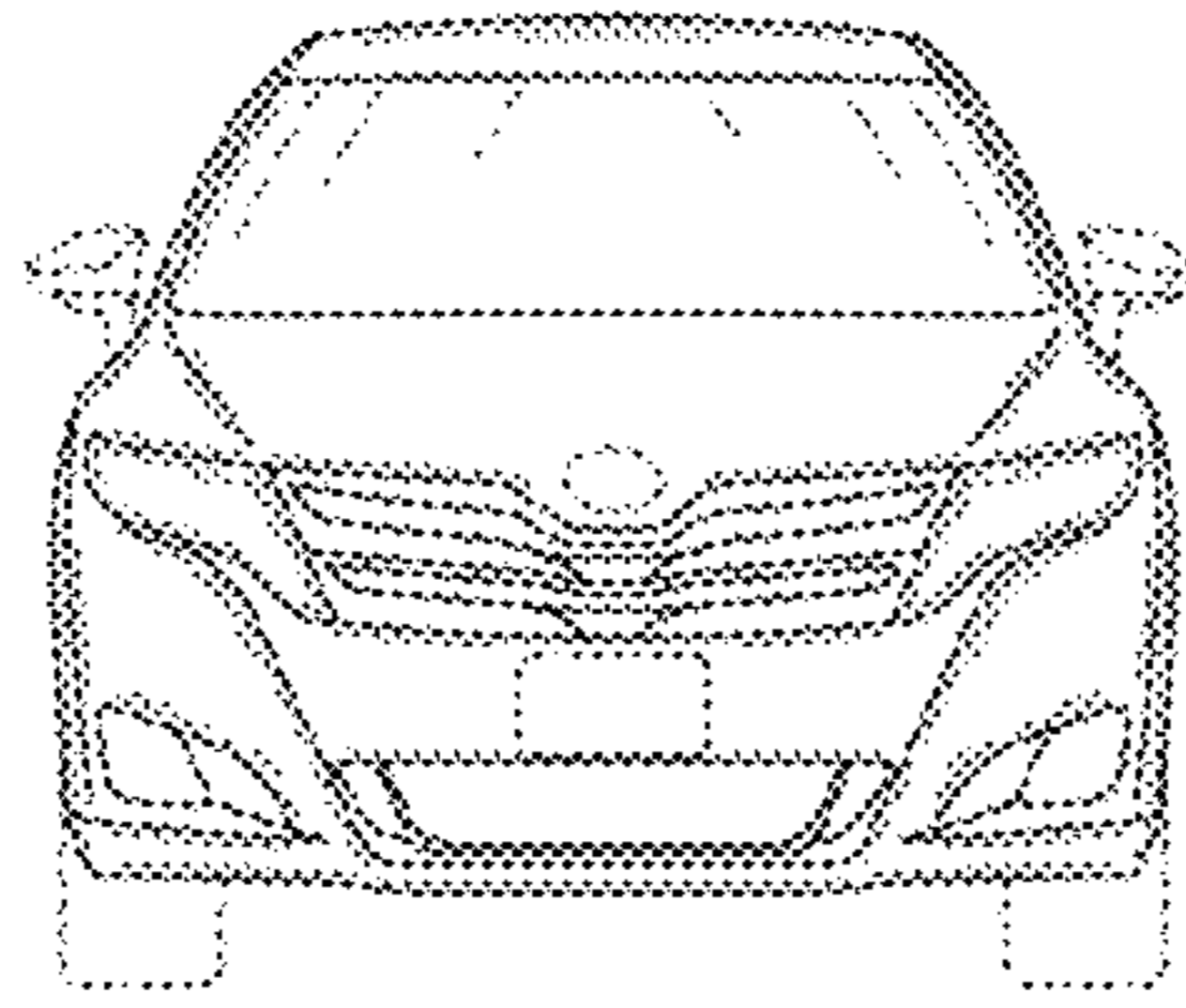


FIG. 5

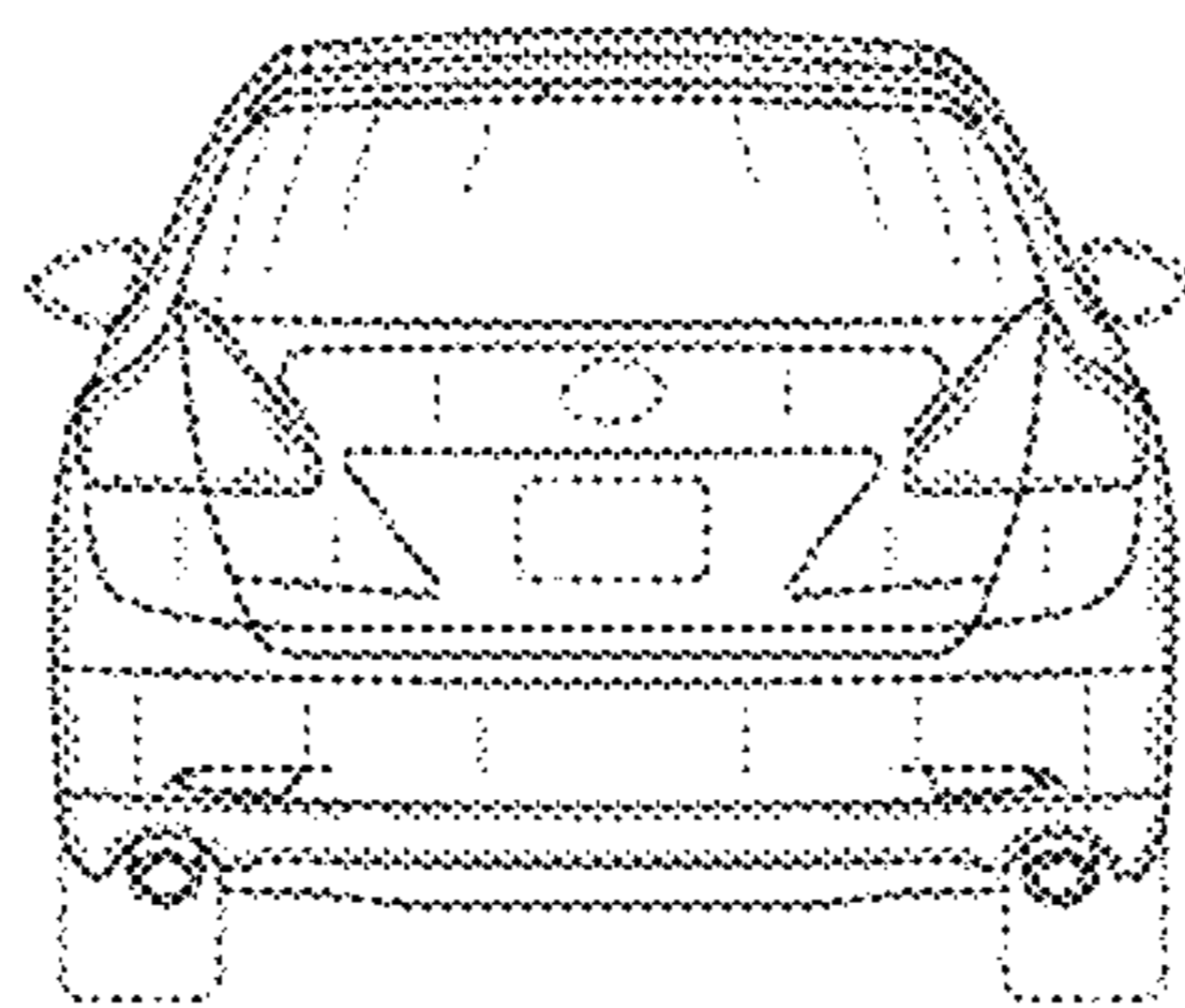


FIG. 6