



US00D679631S

(12) **United States Design Patent**
Pingel

(10) **Patent No.:** **US D679,631 S**
(45) **Date of Patent:** **** Apr. 9, 2013**

(54) **KICK STAND**

(75) Inventor: **Wayne H. Pingel**, Adams, WI (US)

(73) Assignee: **Pingel Enterprise, Inc.**, Adams, WI (US)

(**) Term: **14 Years**

(21) Appl. No.: **29/411,052**

(22) Filed: **Jan. 16, 2012**

(51) **LOC (9) Cl.** **12-11**

(52) **U.S. Cl.** **D12/115**

(58) **Field of Classification Search** D12/115,
D12/120; 280/288.4, 291, 293, 295, 301,
280/304

See application file for complete search history.

(56) **References Cited**

U.S. PATENT DOCUMENTS

3,712,640	A	1/1973	Shipman et al.
3,998,470	A	12/1976	Houston
4,417,746	A	11/1983	Baron
4,474,387	A	10/1984	Maranell et al.
4,819,957	A	4/1989	Printy
4,971,347	A	11/1990	Cline

(Continued)

Primary Examiner — Susan M Lee

Assistant Examiner — Linda G. Brooks

(74) *Attorney, Agent, or Firm* — Boardman & Clark LLP

(57) **CLAIM**

The ornamental design for a kick stand, as shown and described.

DESCRIPTION

FIG. 1 is an isometric view of a first embodiment of a kick stand according to the present invention;

FIG. 2 is a first side elevation view of the first embodiment of the kick stand;

FIG. 3 is a second side elevation view of the first embodiment of the kick stand;

FIG. 4 is a top plan view of the first embodiment of the kick stand;

FIG. 5 is a bottom plan view of the first embodiment of the kick stand;

FIG. 6 is a first end elevation view of the first embodiment of the kick stand;

FIG. 7 is a second end elevation view of the first embodiment of the kick stand;

FIG. 8 is an isometric view of a second embodiment of a kick stand according to the present invention;

FIG. 9 is a first side elevation view of the second embodiment of the kick stand;

FIG. 10 is a second side elevation view of the second embodiment of the kick stand;

FIG. 11 is a top plan view of the second embodiment of the kick stand;

FIG. 12 is a bottom plan view of the second embodiment of the kick stand;

FIG. 13 is a first end elevation view of the second embodiment of the kick stand;

FIG. 14 is a second end elevation view of the second embodiment of the kick stand;

FIG. 15 is an isometric view of a third embodiment of a kick stand according to the present invention;

FIG. 16 is a first side elevation view of the third embodiment of the kick stand;

FIG. 17 is a second side elevation view of the third embodiment of the kick stand;

FIG. 18 is a top plan view of the third embodiment of the kick stand;

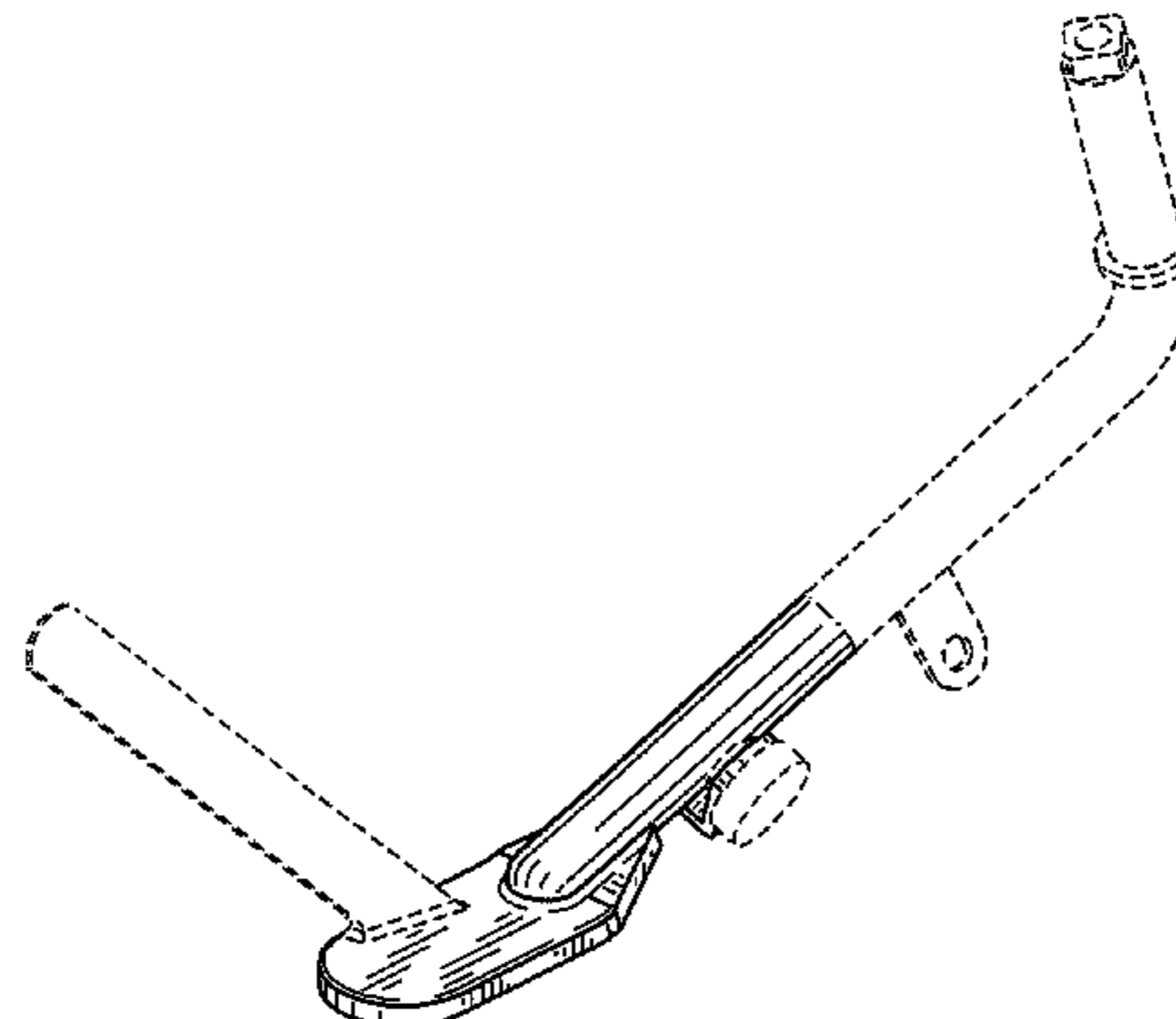
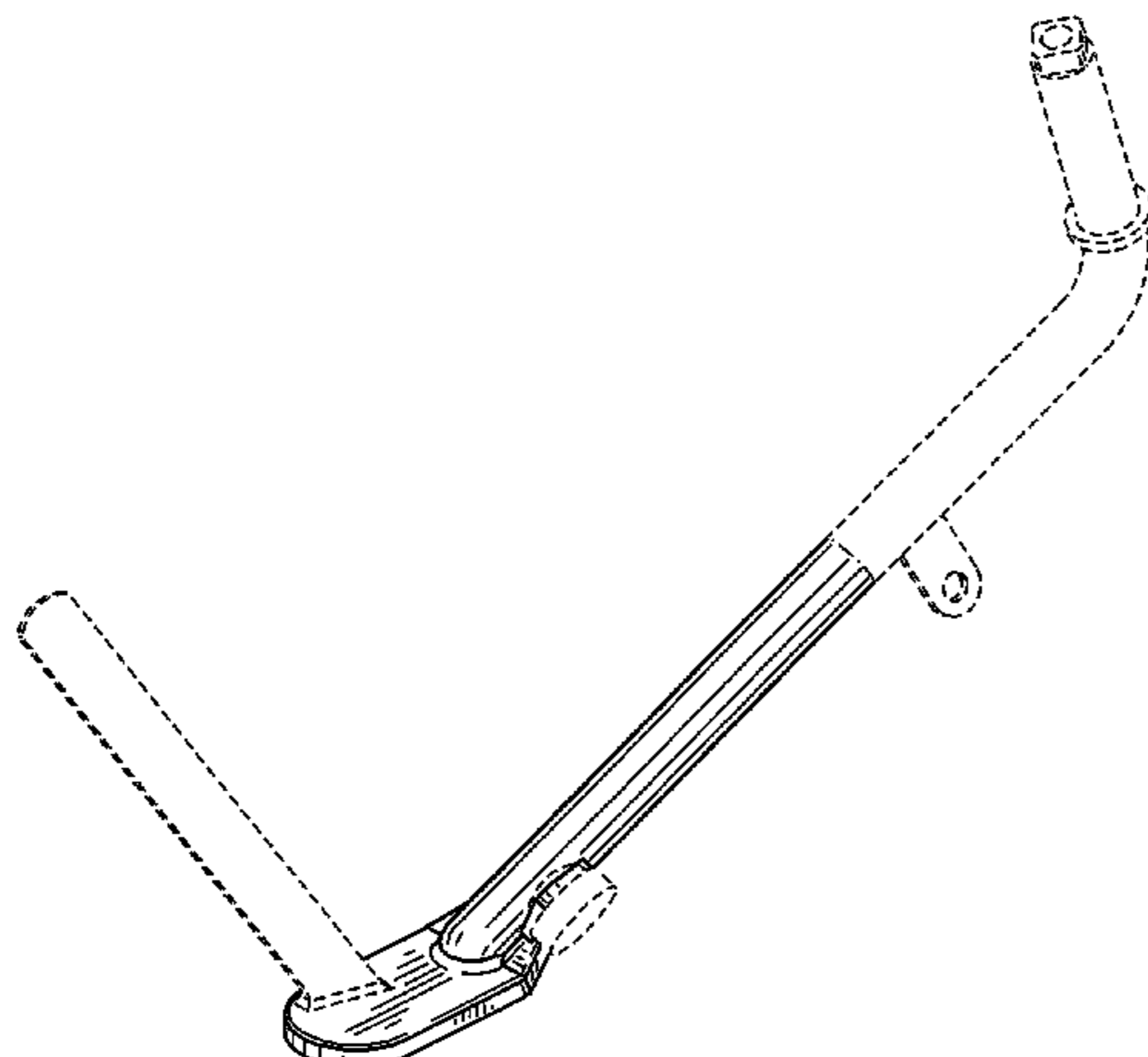
FIG. 19 is a bottom plan view of the third embodiment of the kick stand;

FIG. 20 is a first end elevation view of the third embodiment of the kick stand; and,

FIG. 21 is a second end elevation view of the third embodiment of the kick stand.

The broken lines shown in the figures are for illustrative purposes only, and form no part of the claimed design.

1 Claim, 15 Drawing Sheets



US D679,631 S

Page 2

U.S. PATENT DOCUMENTS

5,484,153	A	1/1996	Ricciardi	D585,227	S	1/2009	Kaczmarczyk, Jr.
6,340,166	B1	1/2002	Rethman et al.	7,648,152	B1	1/2010	Litter
6,669,221	B2	12/2003	Leppke et al.	2002/0163160	A1	11/2002	Golemba
D508,219	S	8/2005	Adams	2003/0062706	A1	4/2003	Land
7,097,191	B2 *	8/2006	Griggs 280/301	2011/0227313	A1	9/2011	Butler
7,267,353	B1	9/2007	Mayhew				

* cited by examiner

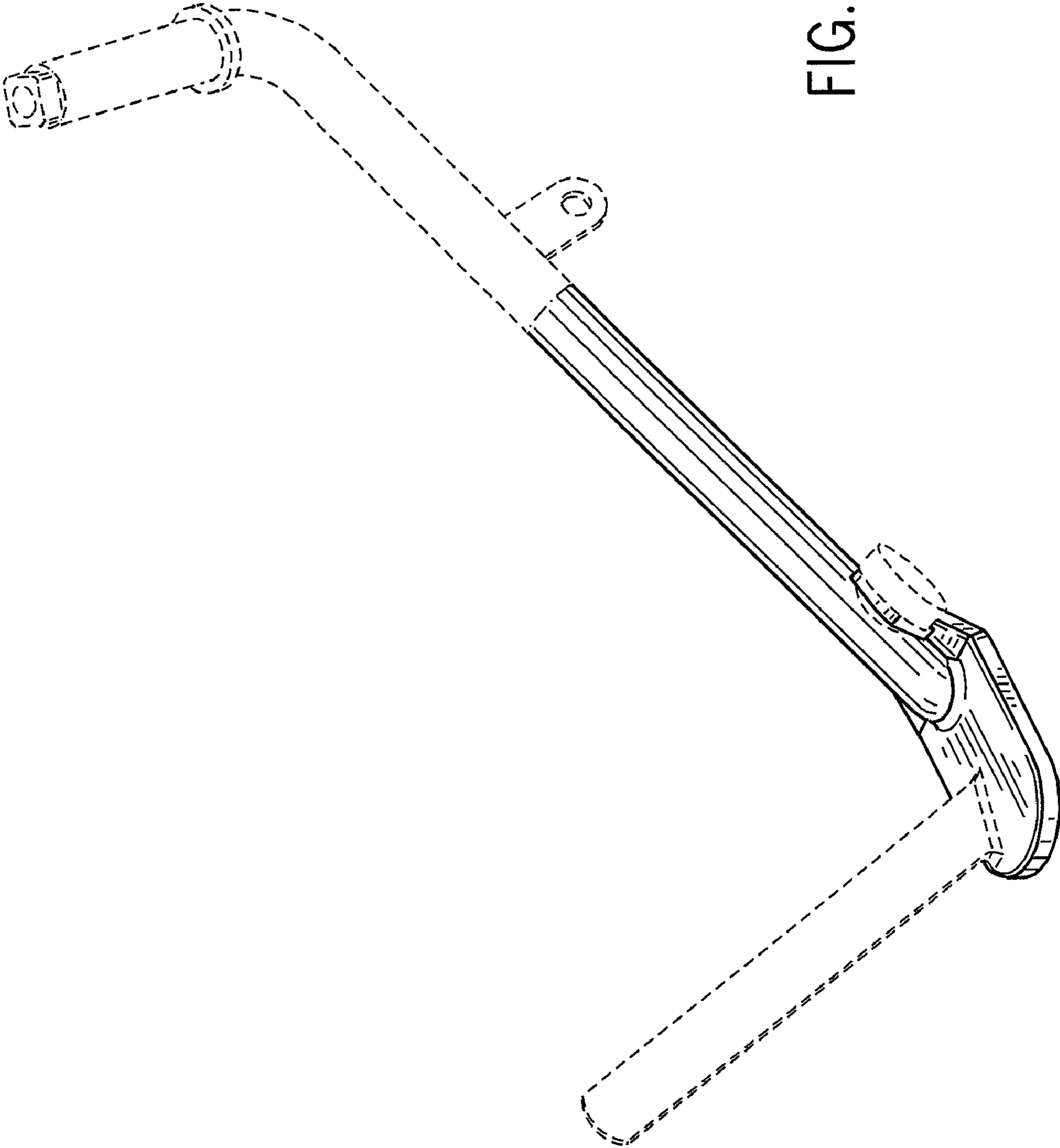


FIG. 1

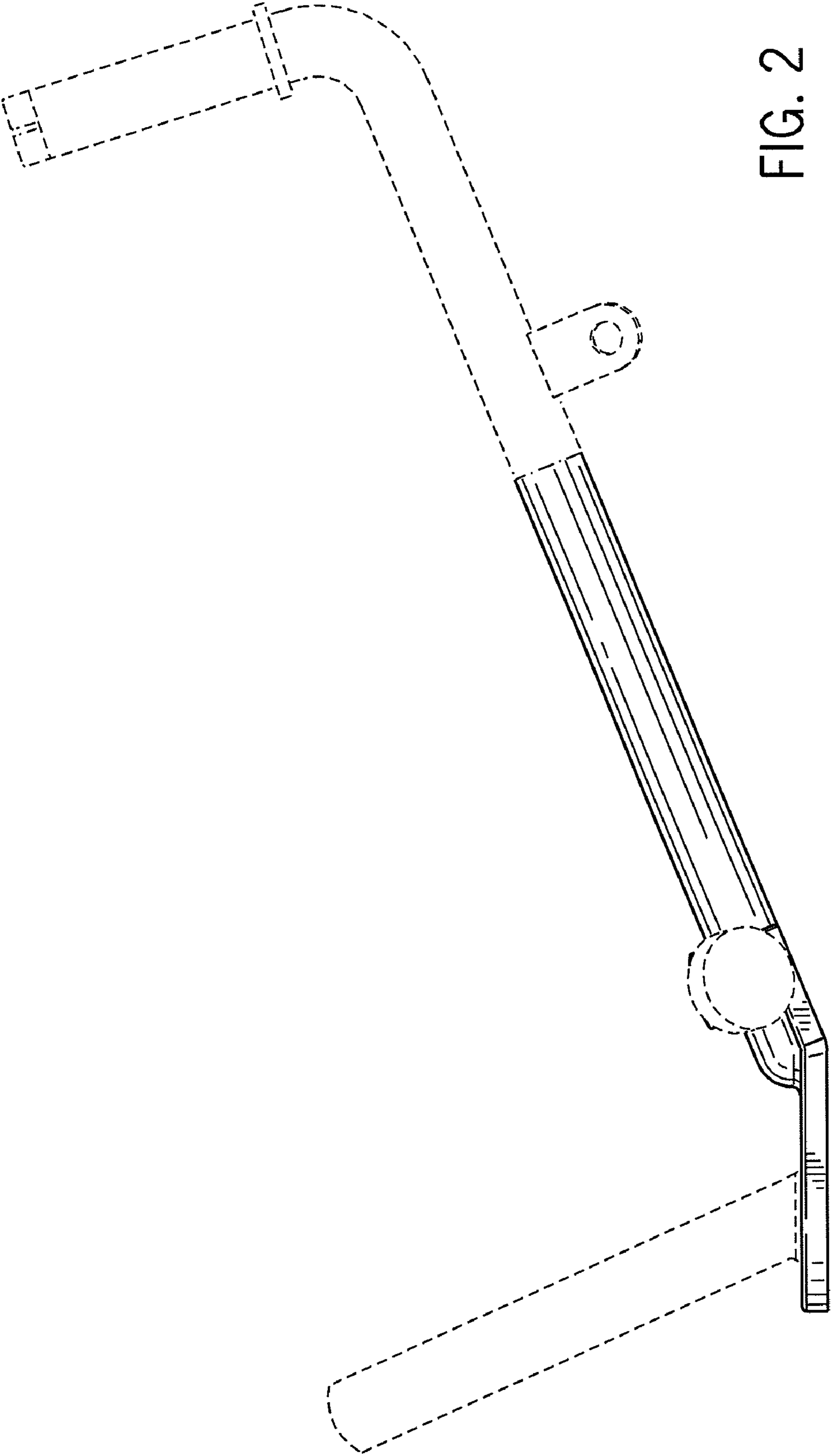


FIG. 2

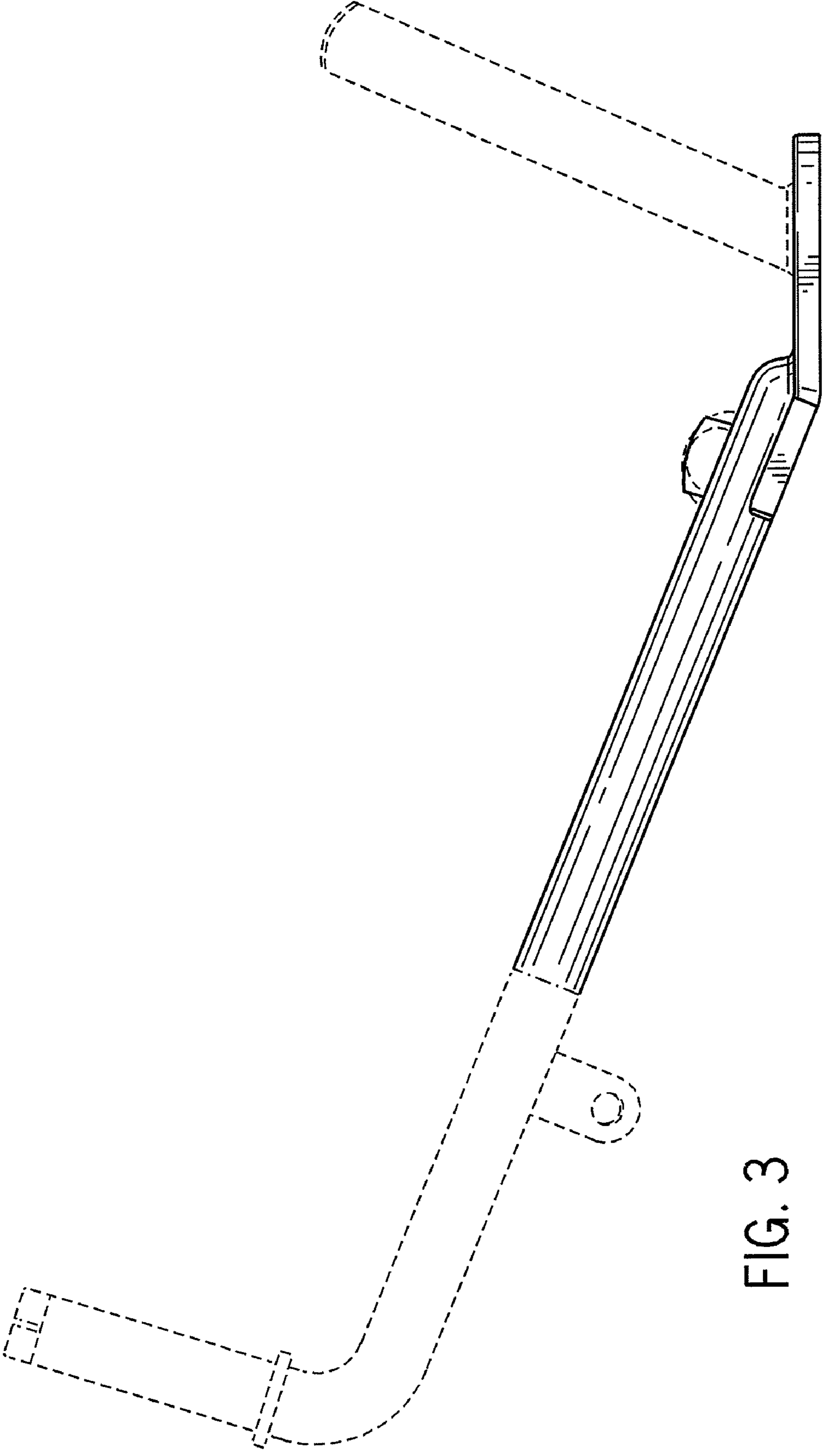


FIG. 3

FIG. 4

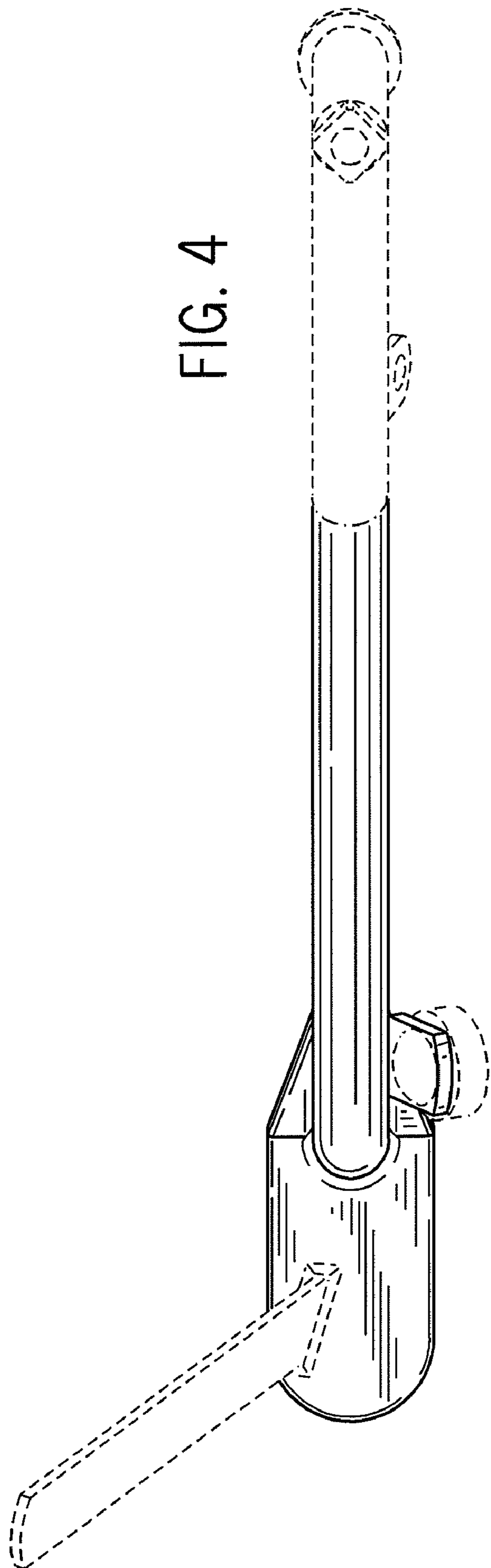
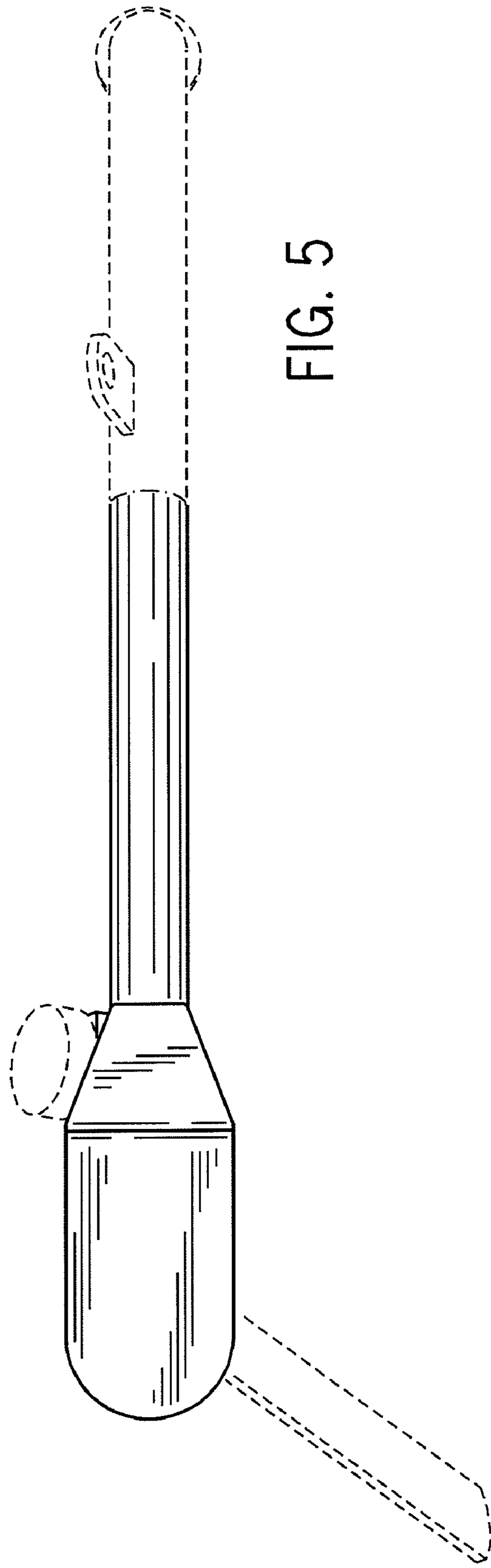


FIG. 5



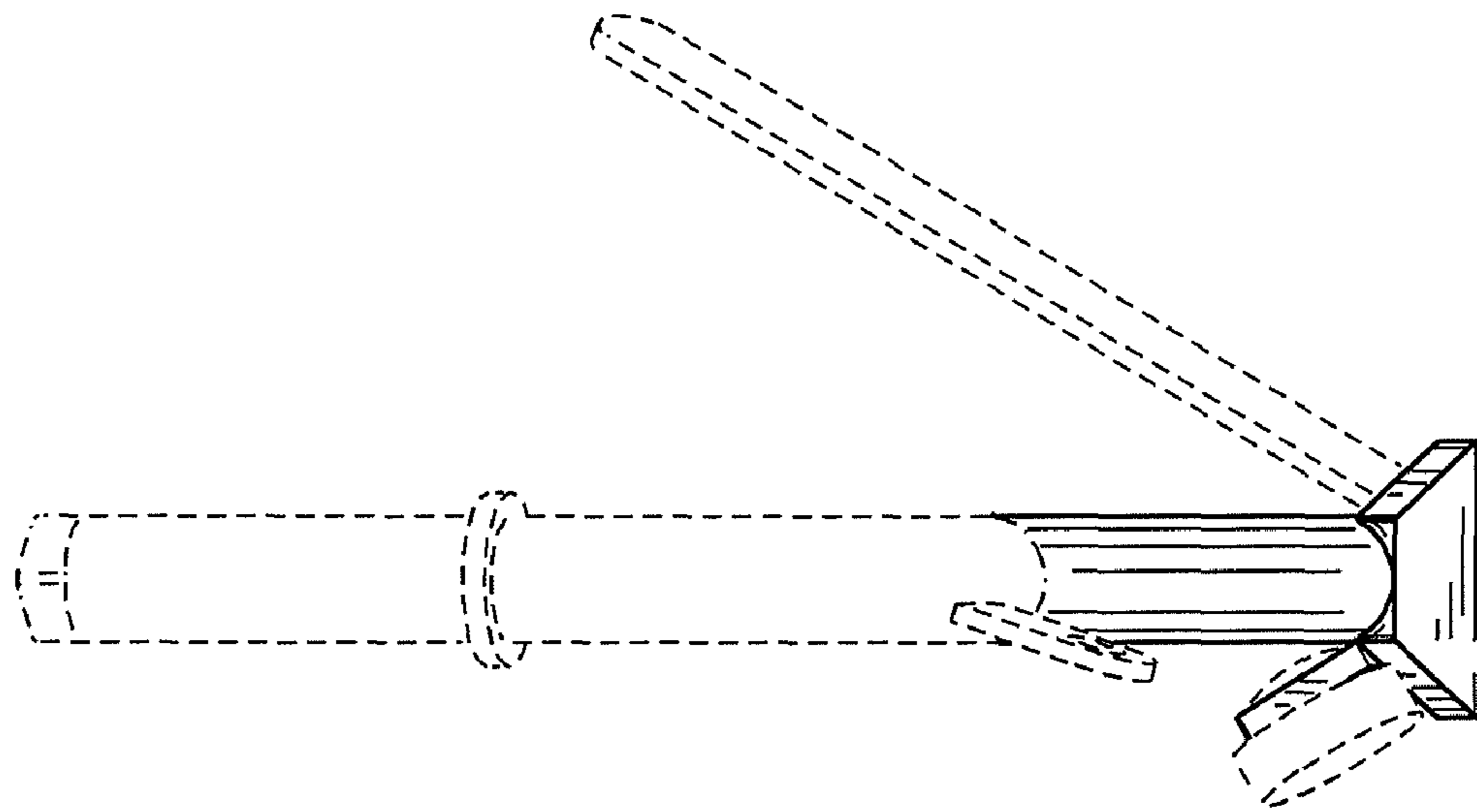


FIG. 7

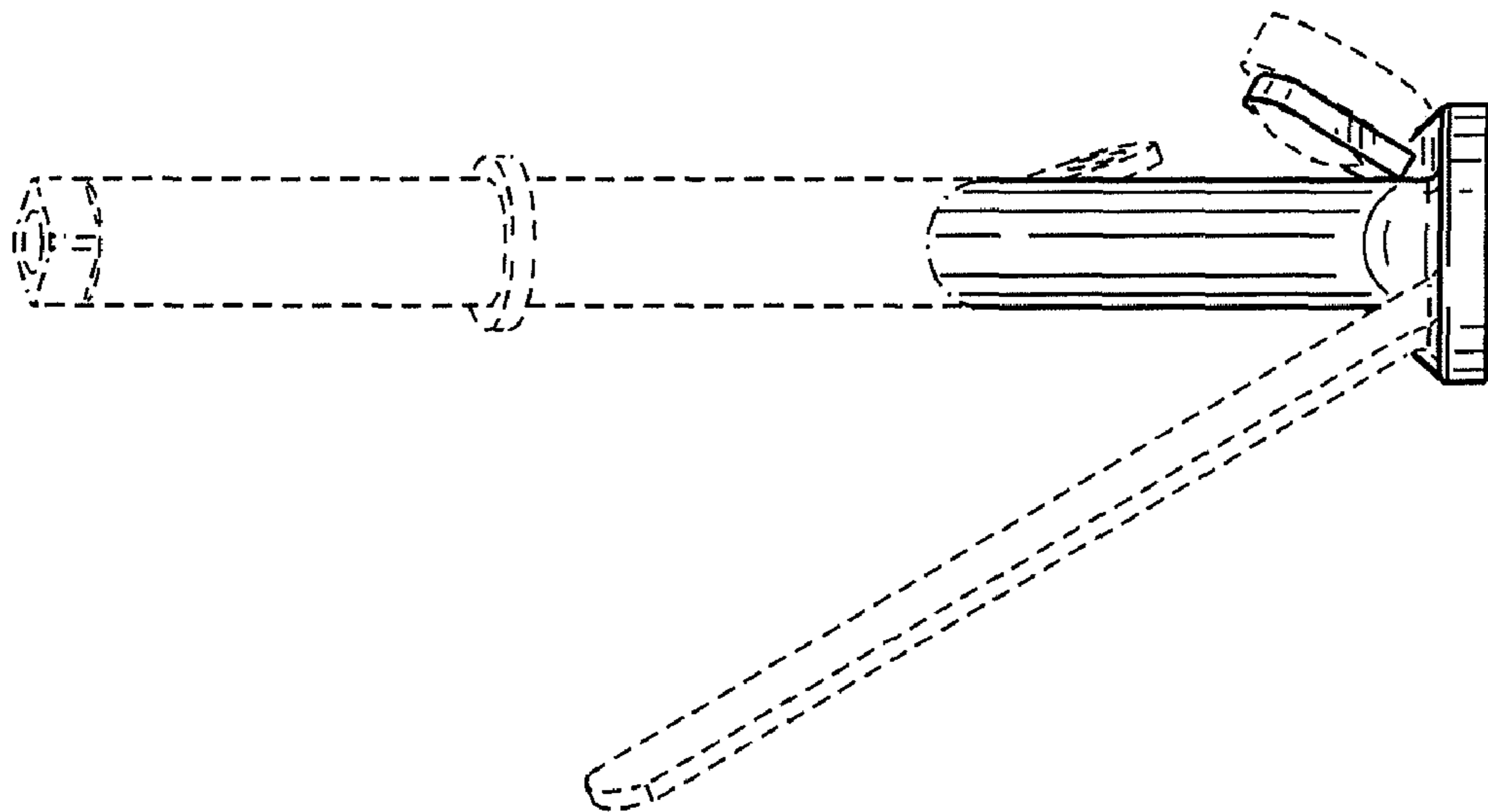
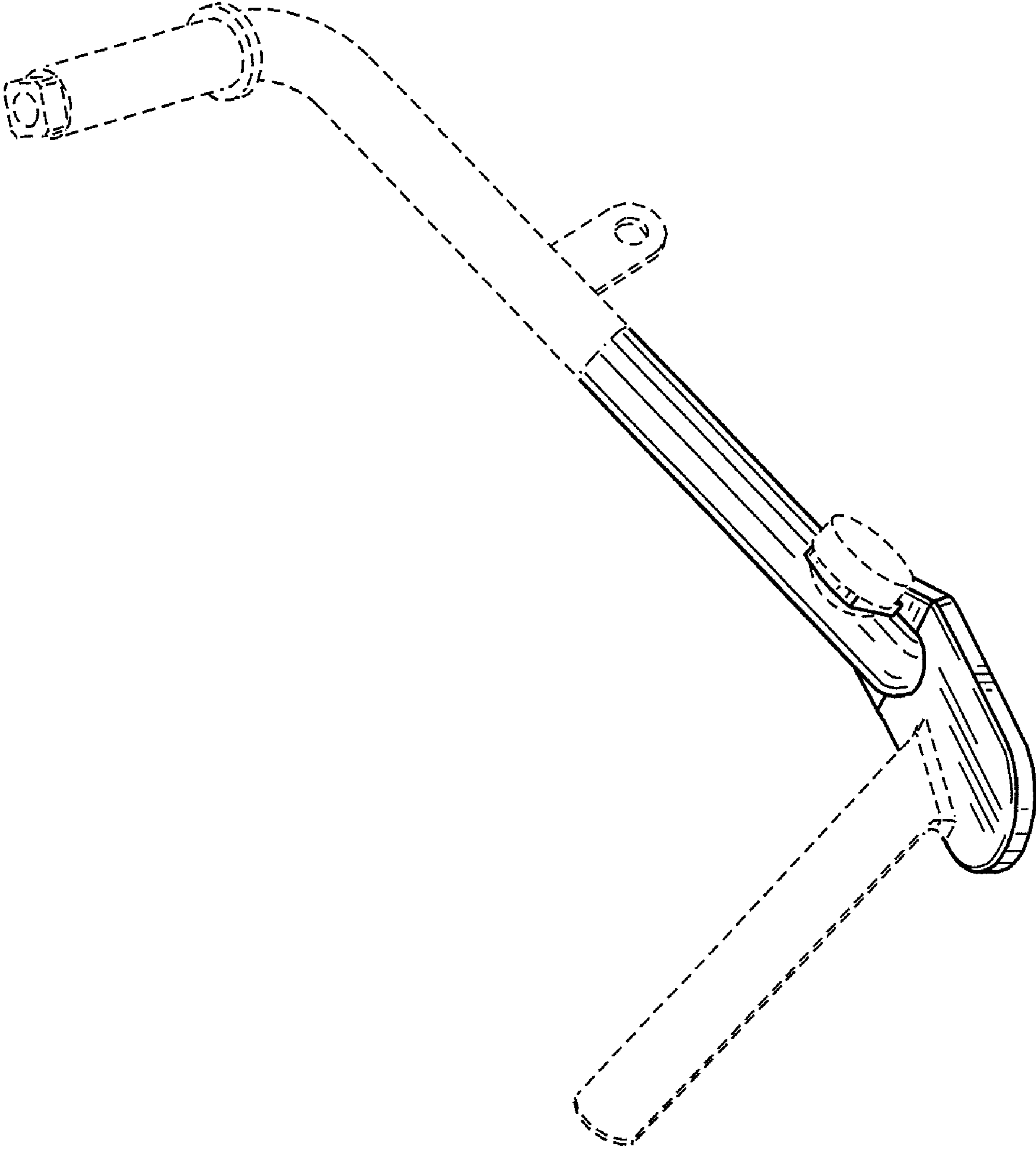


FIG. 6

FIG. 8



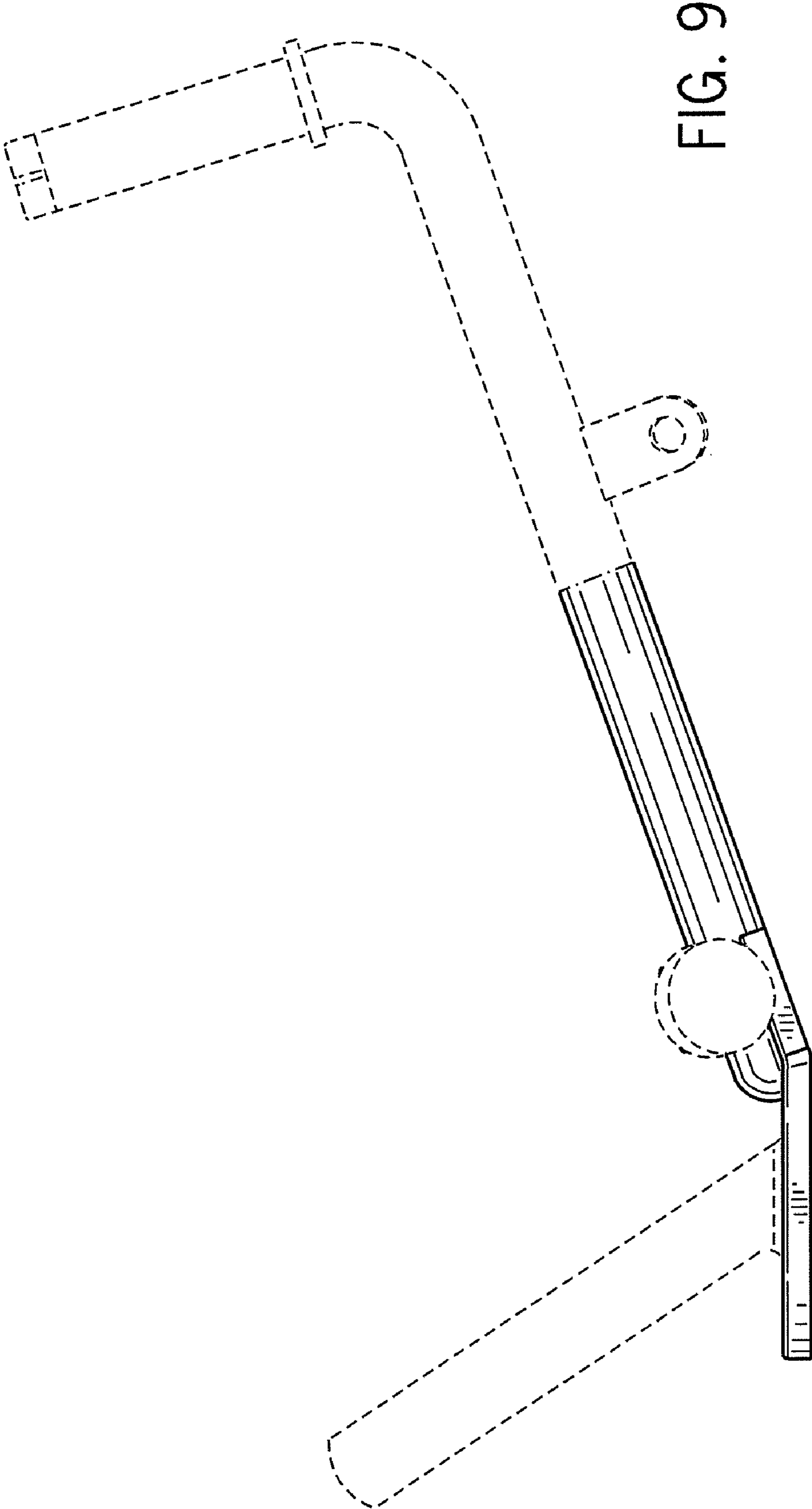


FIG. 9

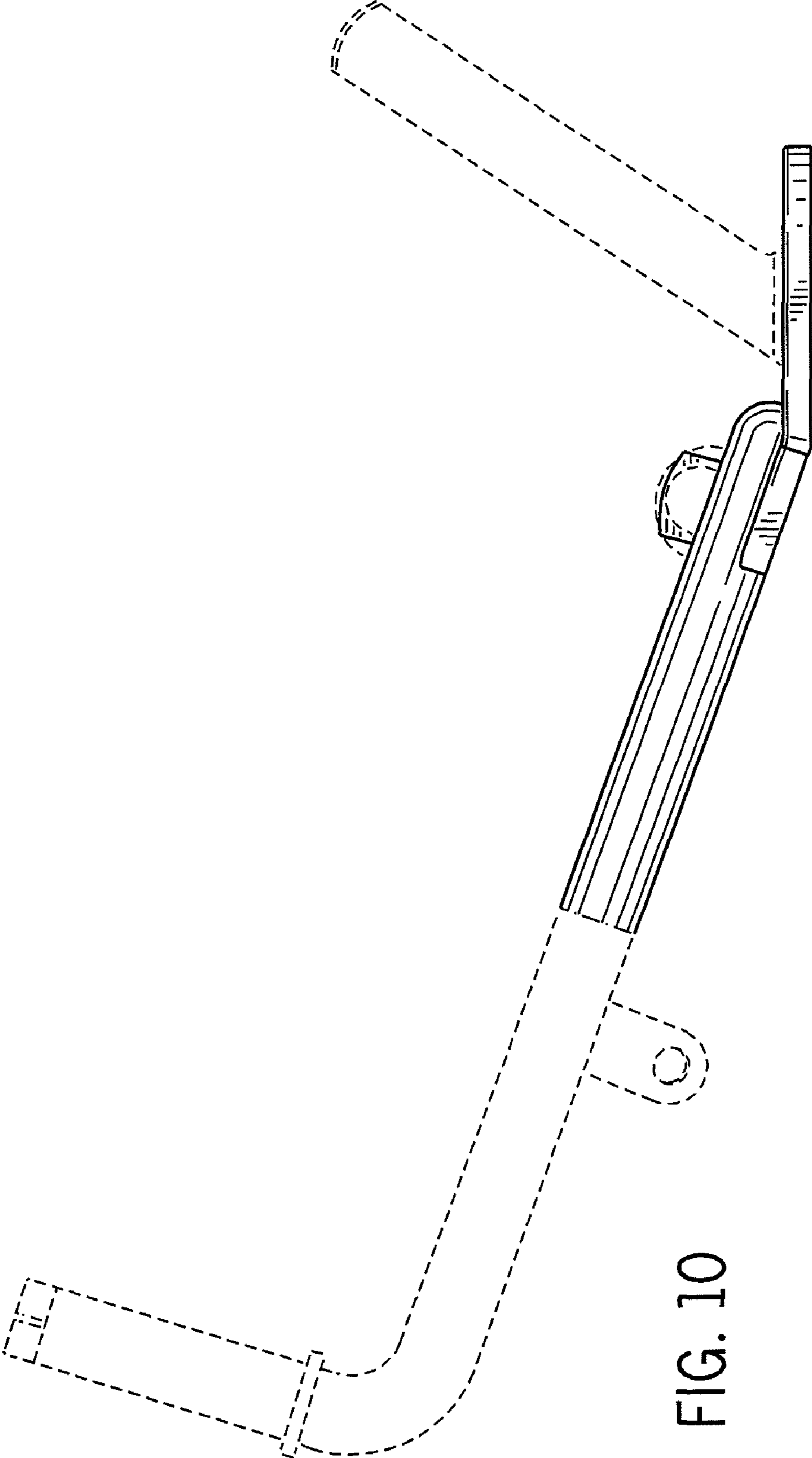


FIG. 10

FIG. 11

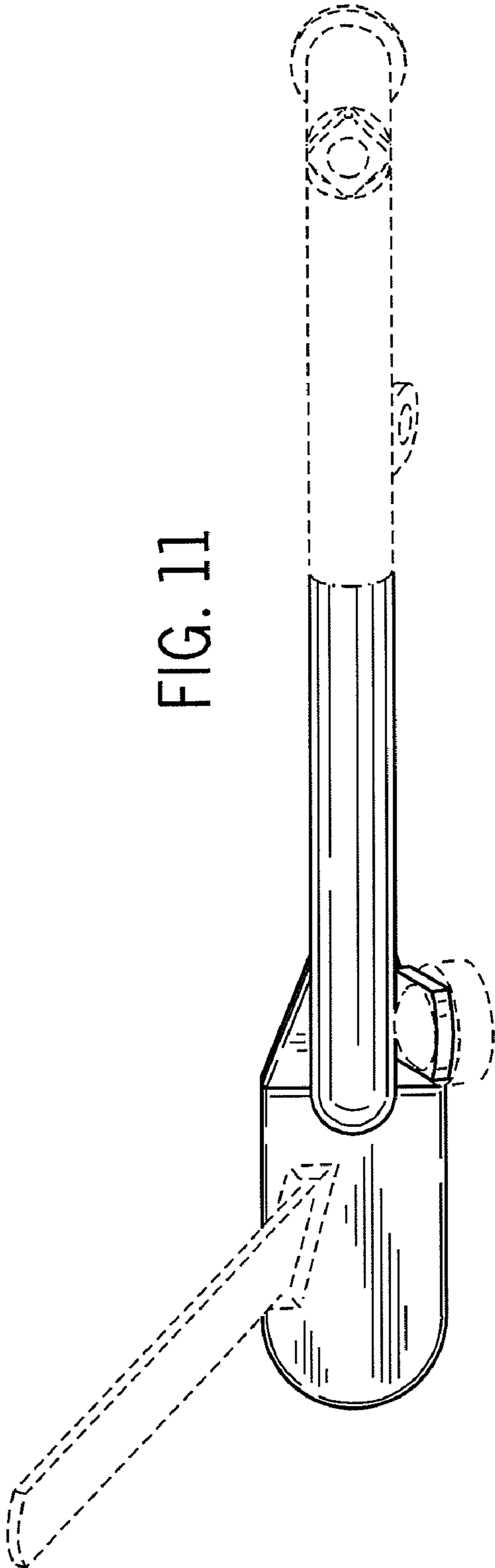
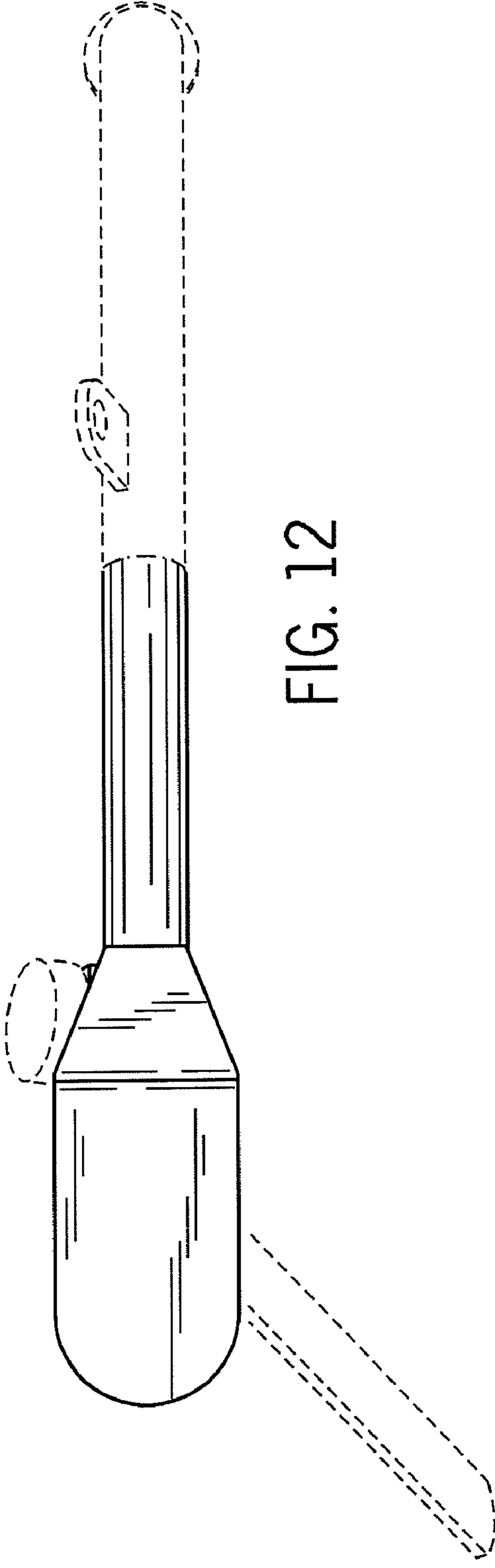


FIG. 12



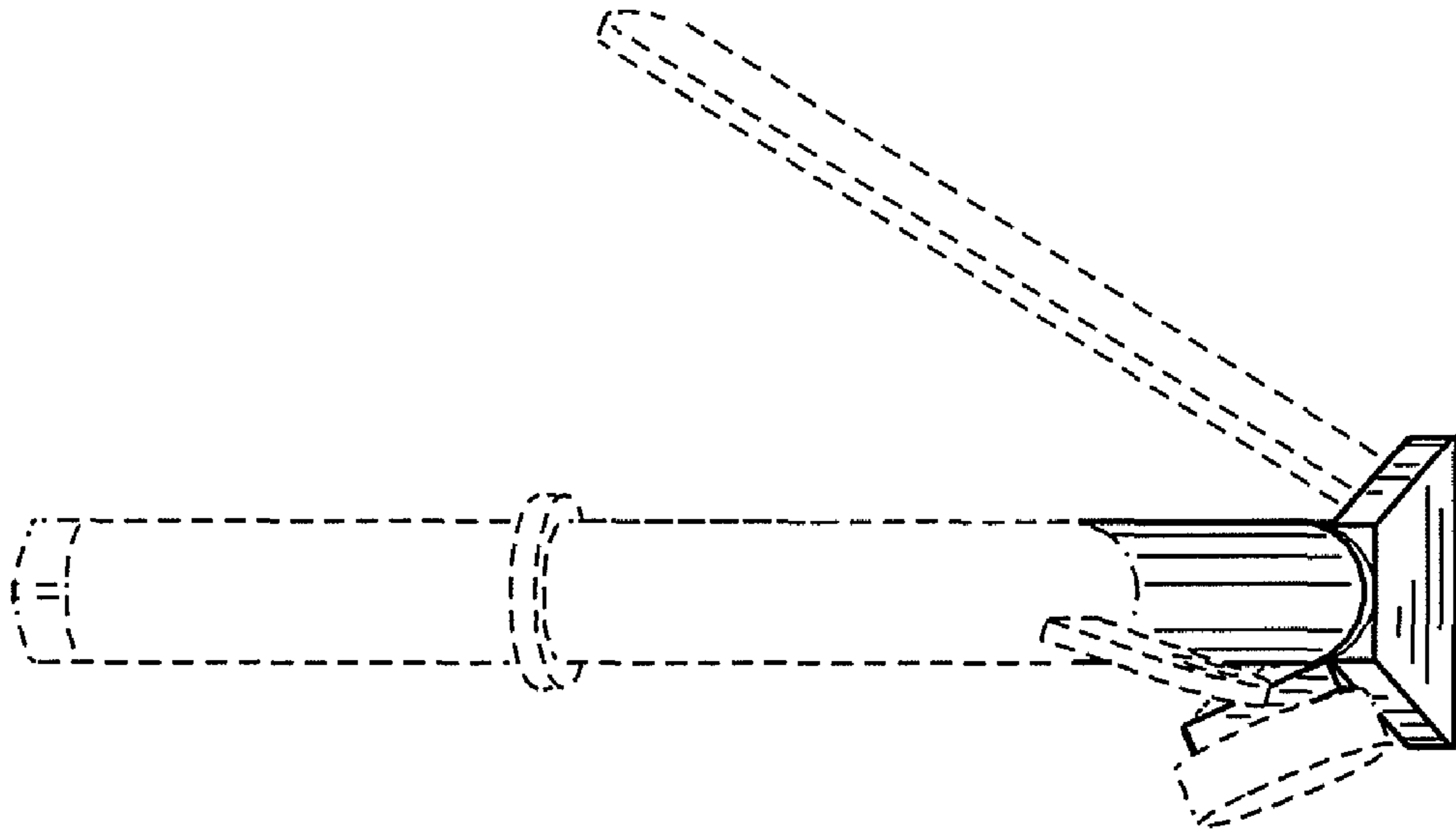


FIG. 14

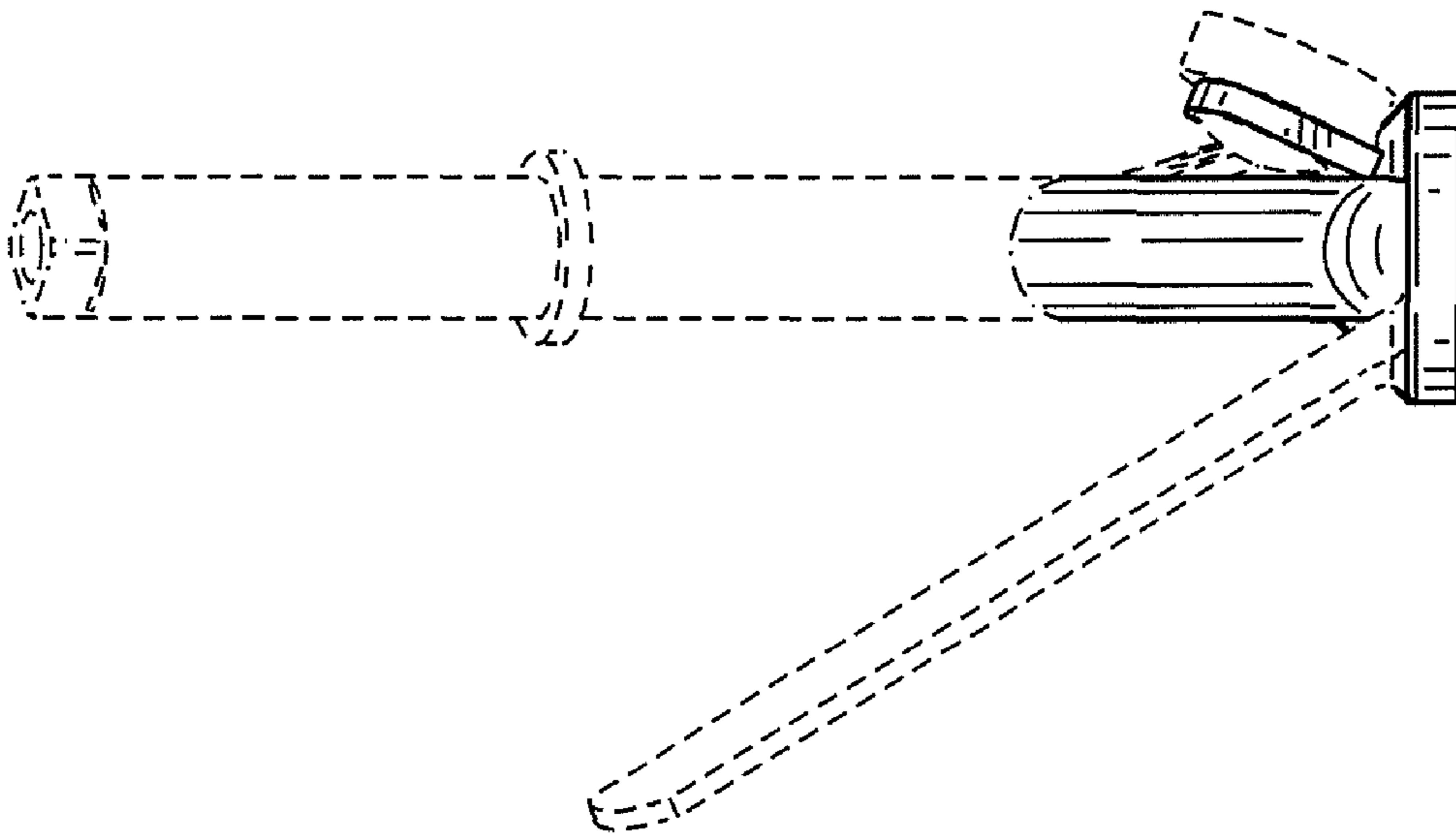


FIG. 13

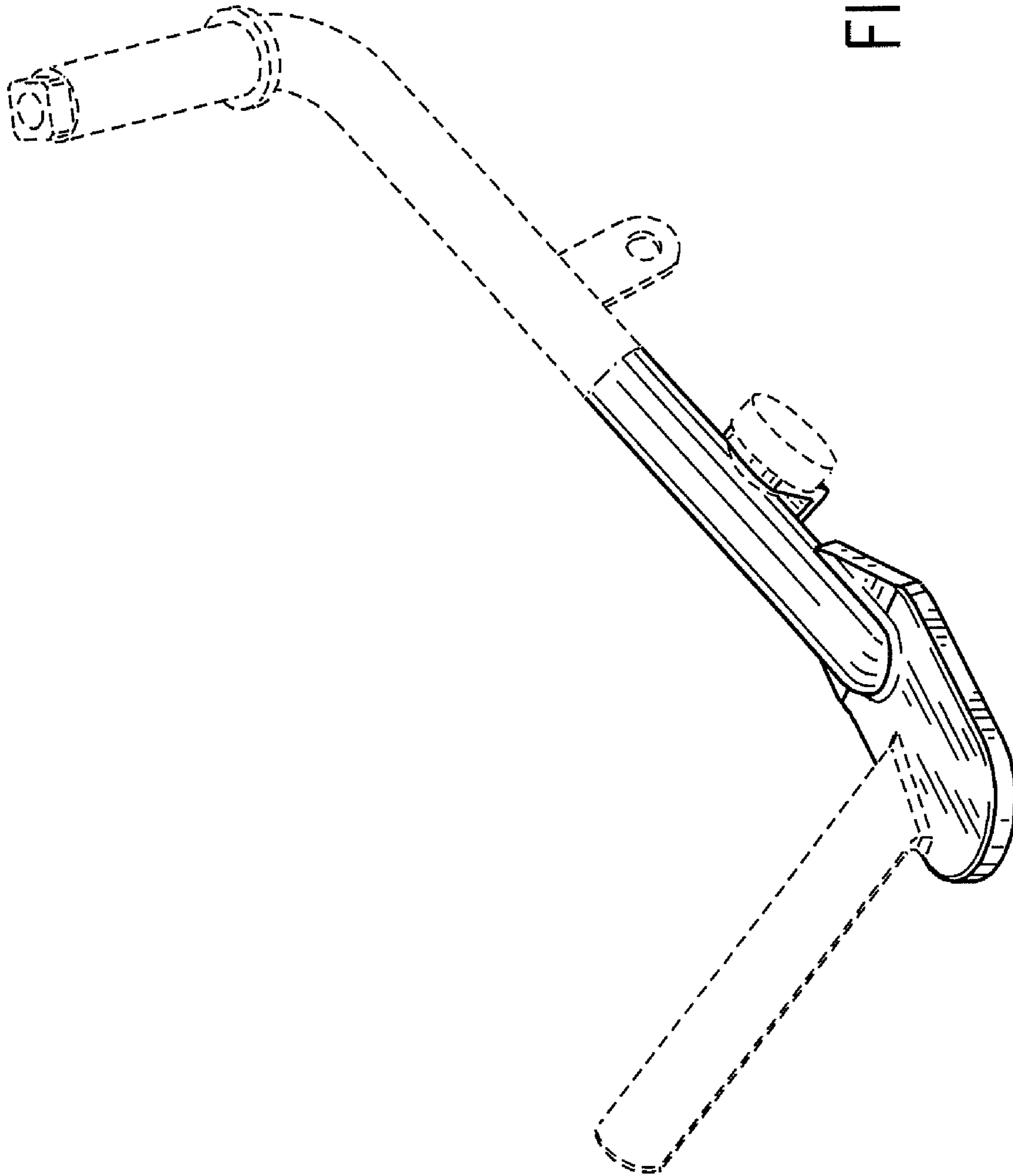


FIG. 15

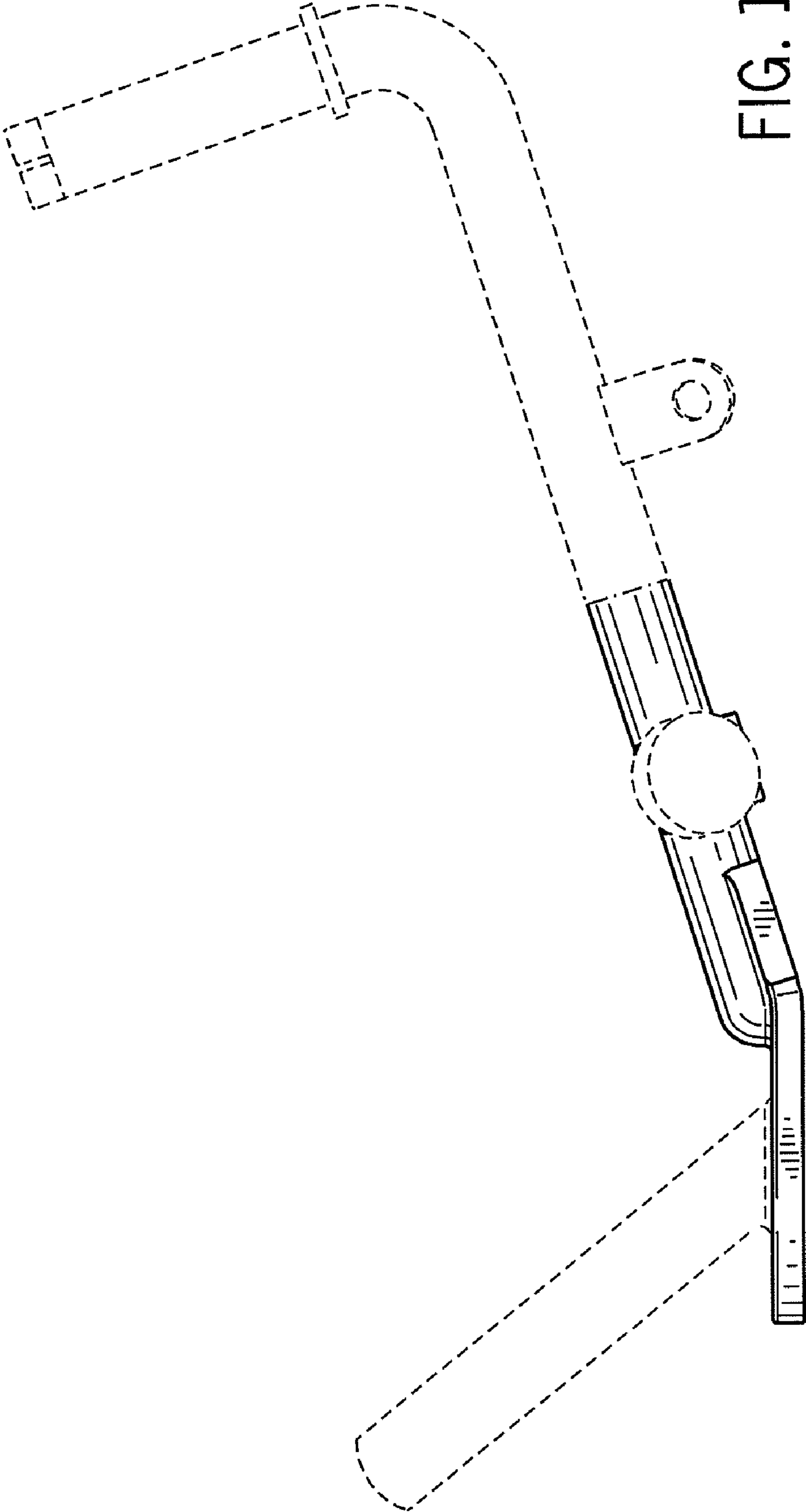


FIG. 16

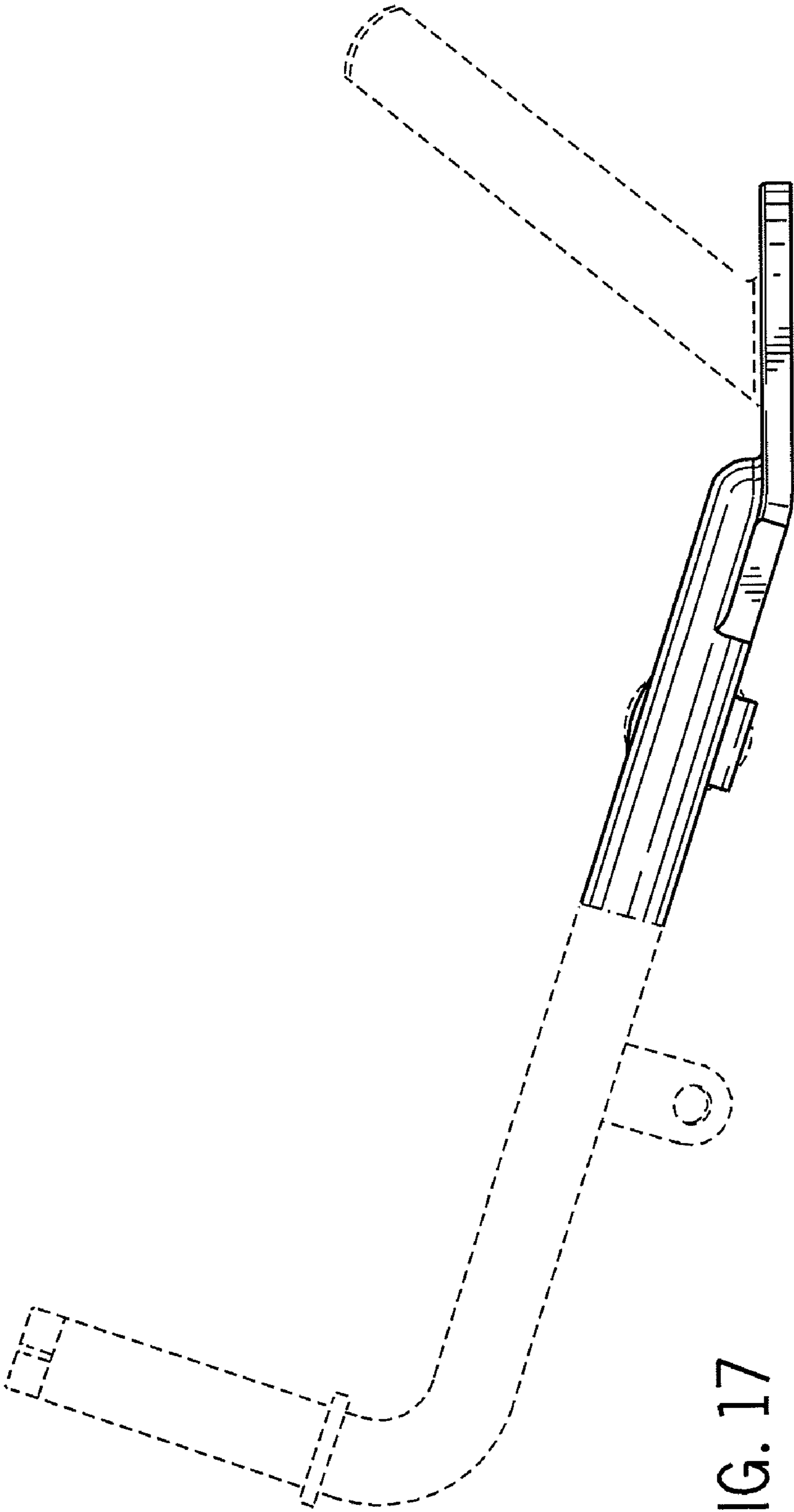


FIG. 17

FIG. 18

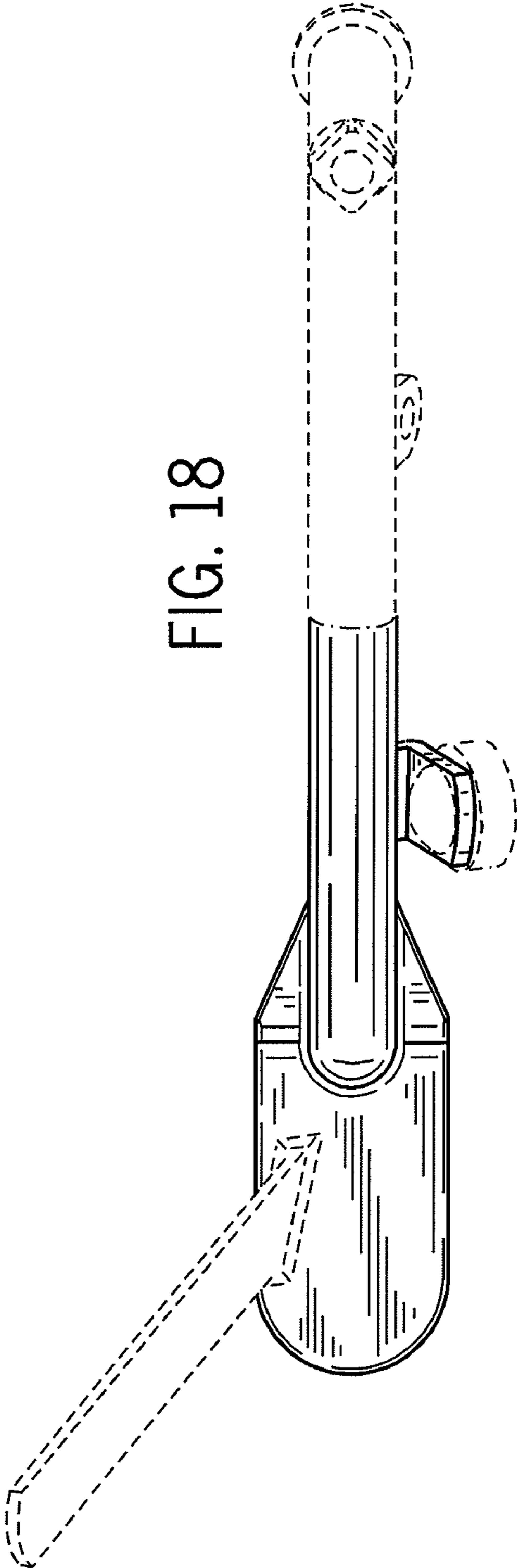
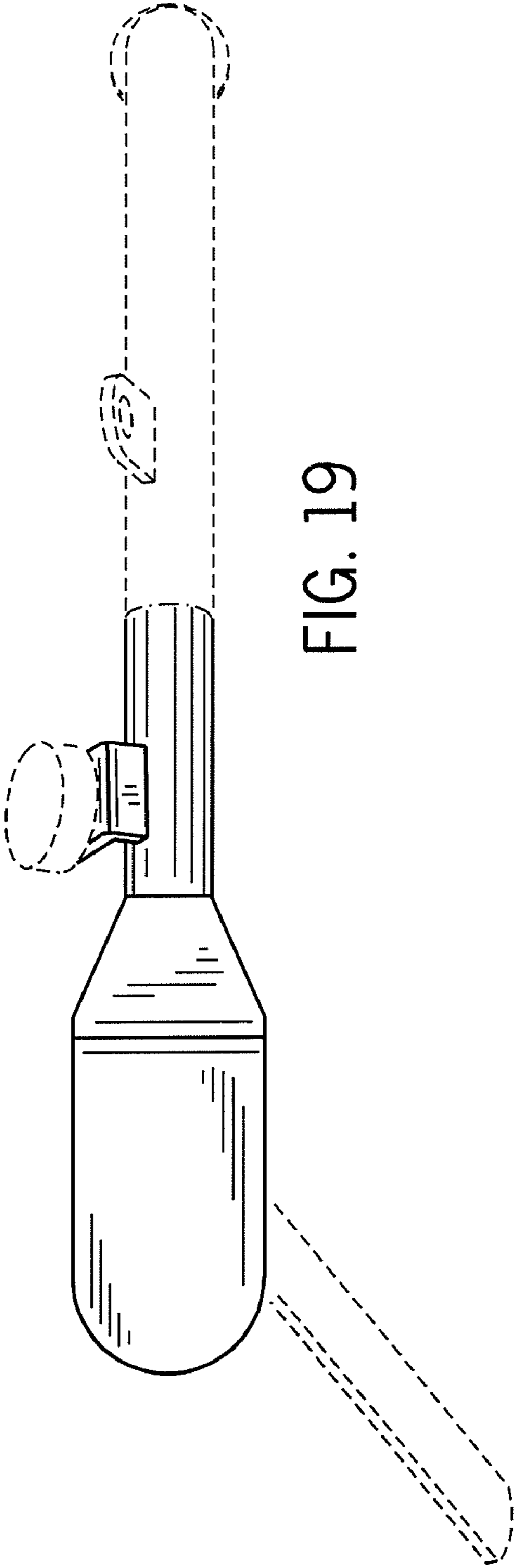


FIG. 19



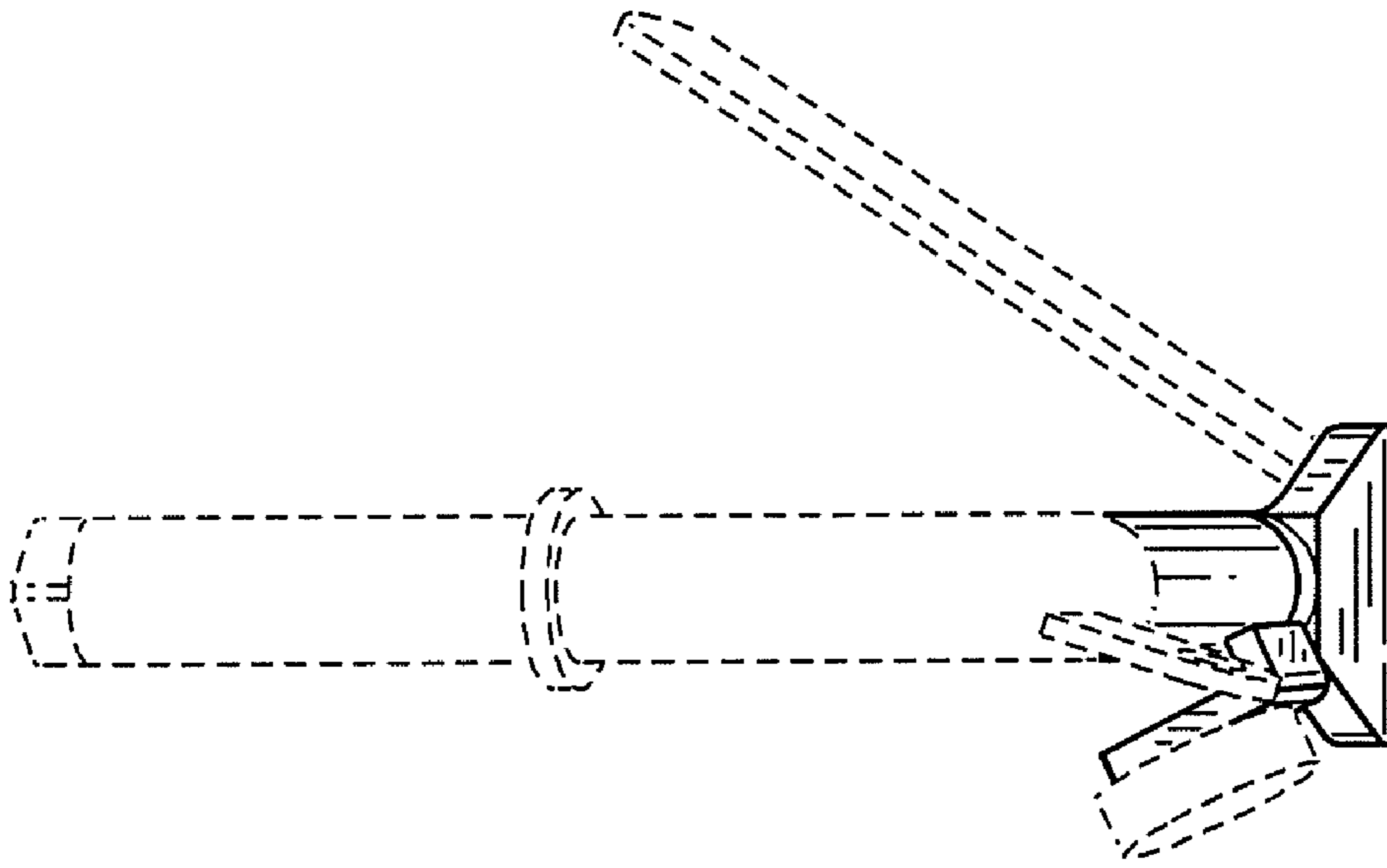


FIG. 21

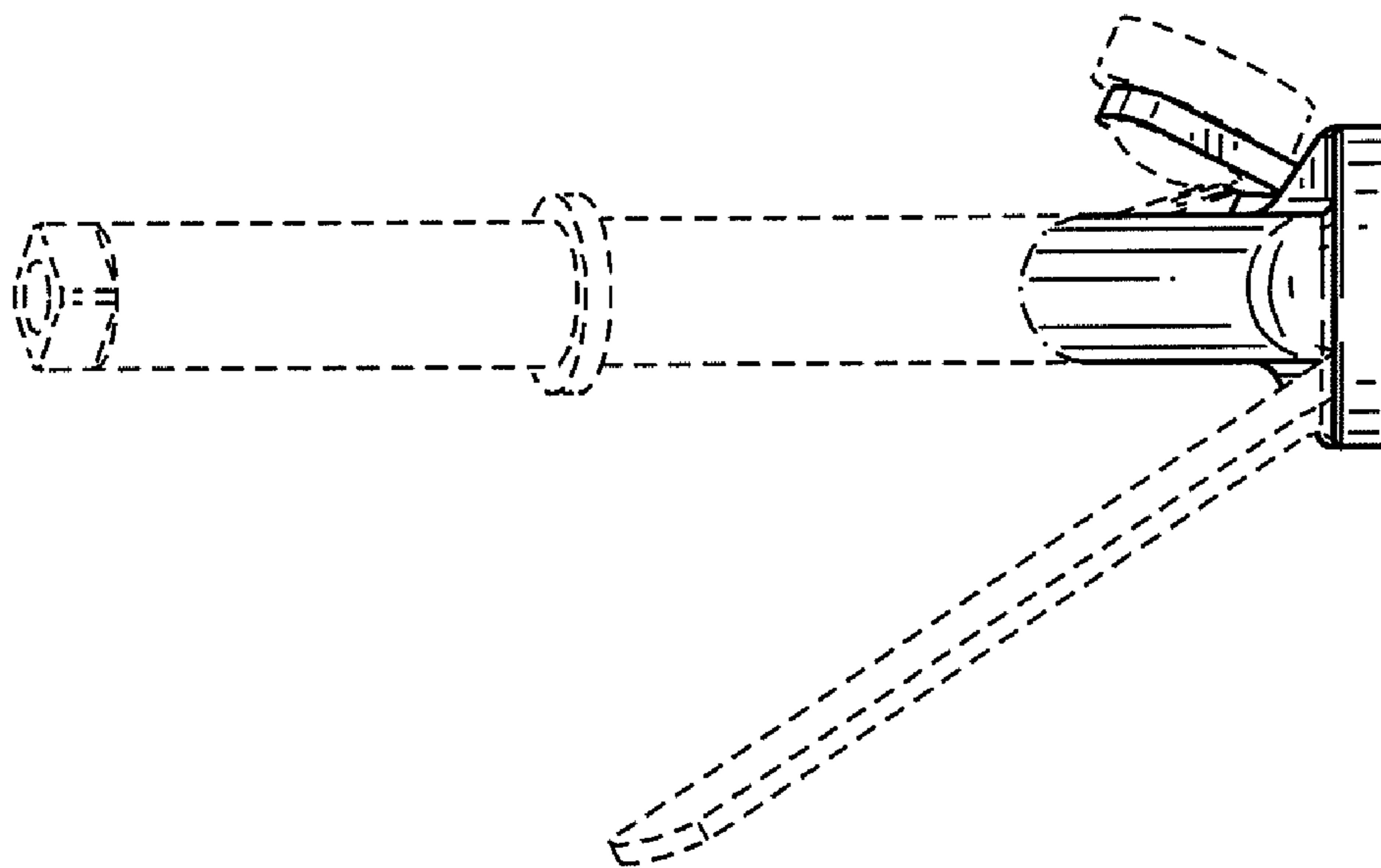


FIG. 20