



US00D679629S

(12) **United States Design Patent**
Davenport

(10) **Patent No.:** **US D679,629 S**

(45) **Date of Patent:** **** Apr. 9, 2013**

(54) **BICYCLE STAND**

(76) **Inventor:** **Peter Alan Davenport**, Winchester (GB)

(**) **Term:** **14 Years**

(21) **Appl. No.:** **29/403,443**

(22) **Filed:** **Oct. 6, 2011**

(51) **LOC (9) Cl.** **12-11**

(52) **U.S. Cl.** **D12/115**

(58) **Field of Classification Search** D12/115,
D12/120; 211/5, 17-22, 85.7, 182, 189;
248/176.1, 309.1

See application file for complete search history.

(56) **References Cited**

U.S. PATENT DOCUMENTS

D268,488	S	*	4/1983	Arnott et al.	D12/115
D295,030	S	*	4/1988	Wahl	D12/115
D298,746	S	*	11/1988	Whitworth et al.	D12/115
D451,880	S	*	12/2001	Adams et al.	D12/406
6,651,826	B1	*	11/2003	Schiffman	211/40

8,042,229	B2	*	10/2011	Wang	16/270
D648,658	S	*	11/2011	Soto et al.	D12/115
2008/0173603	A1	*	7/2008	Dion	211/182

* cited by examiner

Primary Examiner — Susan M Lee

Assistant Examiner — Linda G. Brooks

(74) *Attorney, Agent, or Firm* — Kirton McConkie; Evan R. Witt

(57) **CLAIM**

The ornamental design for a bicycle stand, as shown and described.

DESCRIPTION

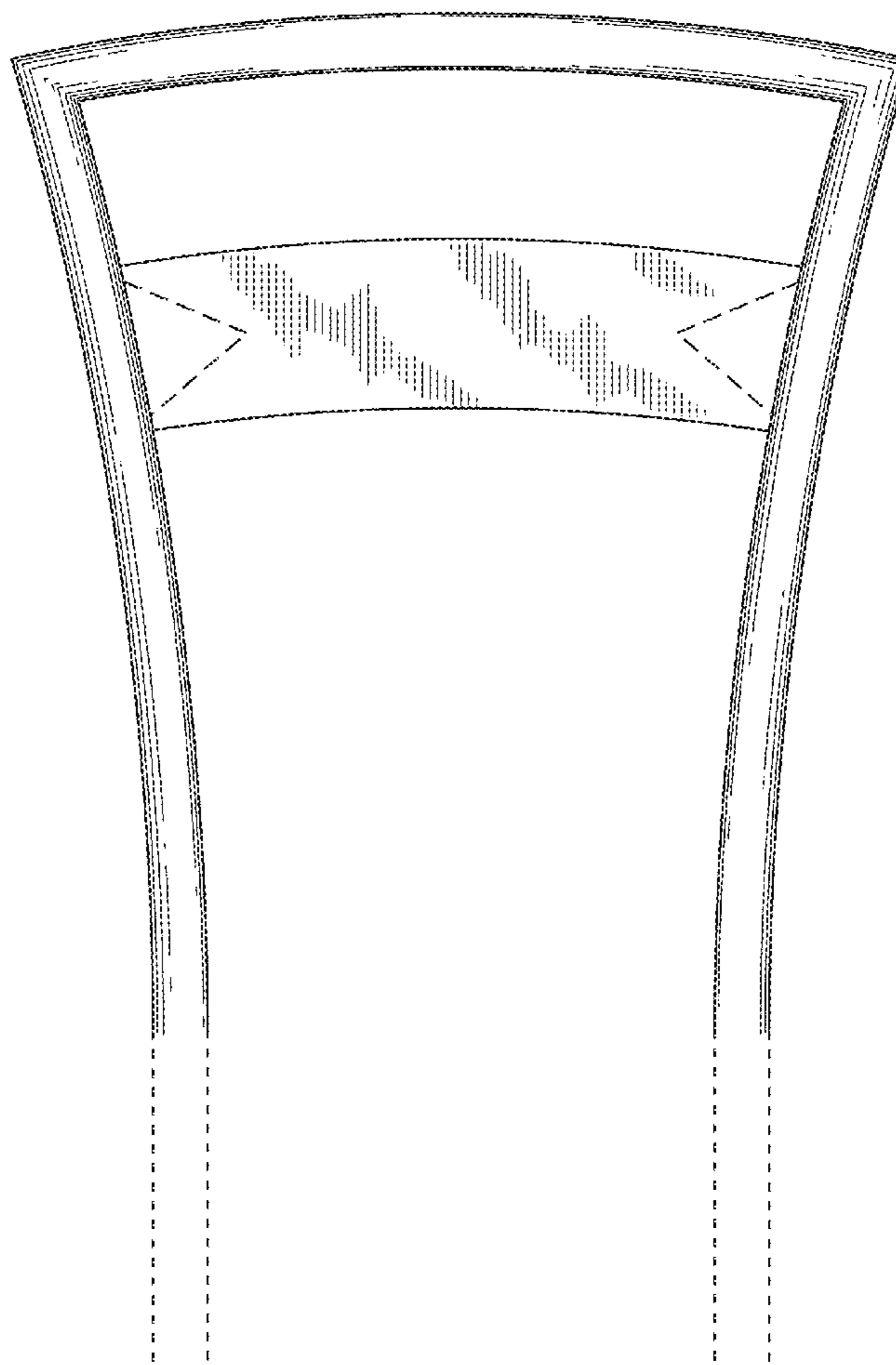
FIG. 1 is a front elevation view of a bicycle stand showing my new design. The two V-shaped openings represent boundaries and form no part of the claimed design.

FIG. 2 is a right side elevation view thereof, the left side elevation view is a mirror image of the right side; and,

FIG. 3 is a top plan view thereof.

The broken lines at the bottom of the support posts in FIGS. 1 and 3 form no part of the claimed design.

1 Claim, 2 Drawing Sheets



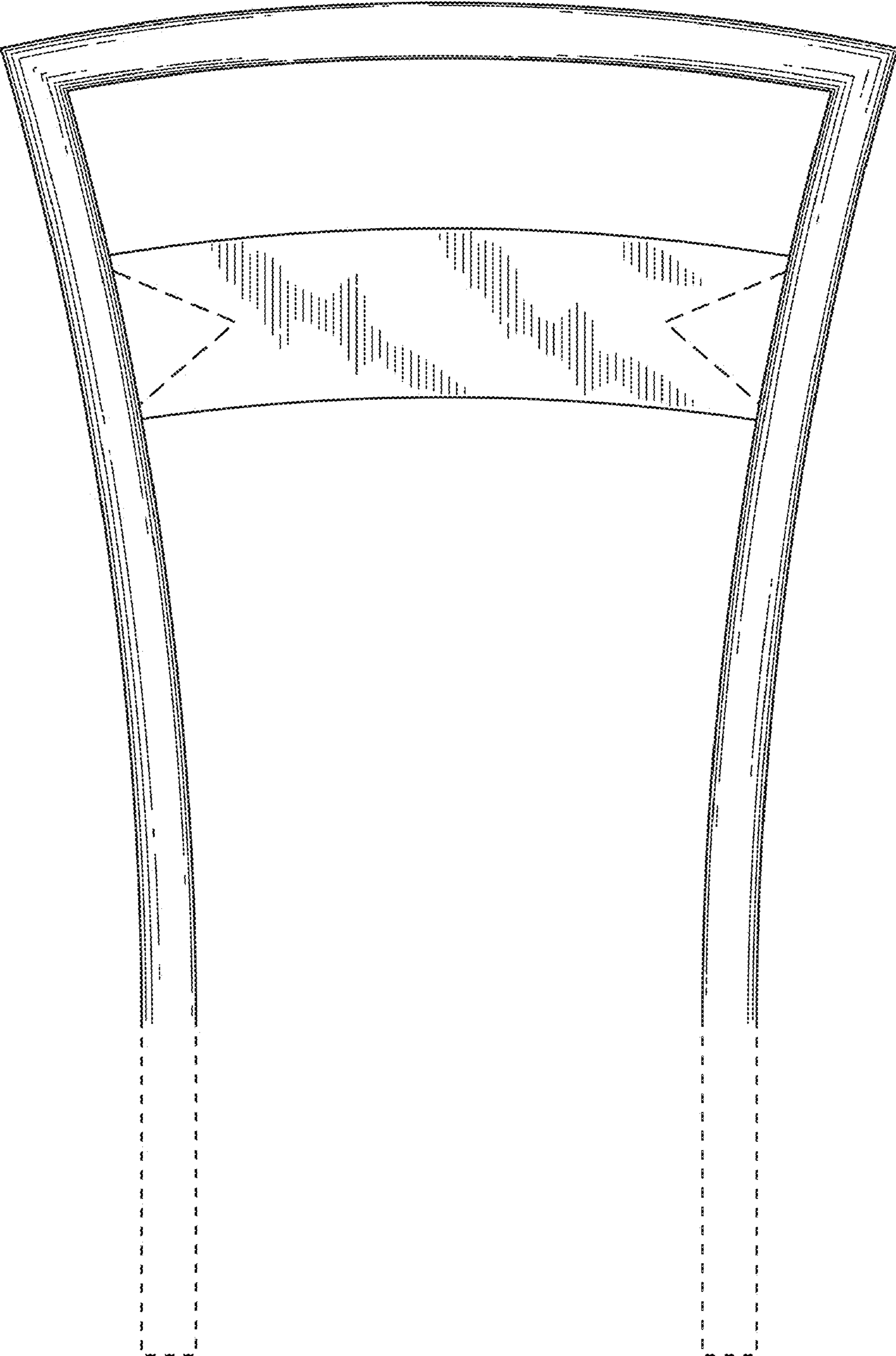


FIG. 1



FIG. 2

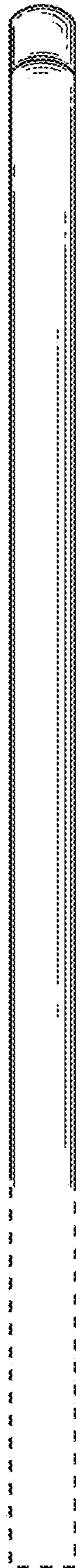


FIG. 3