



US00D679627S

(12) **United States Design Patent**
Li et al.

(10) **Patent No.:** **US D679,627 S**
(45) **Date of Patent:** **** Apr. 9, 2013**

(54) **UTILITY TERRAIN VEHICLE**
(75) Inventors: **Guanxiang Li**, Chongqing (CN); **Hui Li**, Chongqing (CN)
(73) Assignee: **Chongqing Huansong Industries (Group) Co., Ltd.**, Chongqing (CN)
(**) Term: **14 Years**
(21) Appl. No.: **29/381,031**
(22) Filed: **Dec. 14, 2010**
(51) **LOC (9) Cl.** **12-13**
(52) **U.S. Cl.** **D12/14**
(58) **Field of Classification Search** D12/87,
D12/86, 1, 433, 15, 16, 107, 82, 88, 89, 90,
D12/91, 92, 93; D15/30; D21/803; 180/DIG. 5,
180/183, 184, 185, 186, 28, 37.7
See application file for complete search history.

D622,631 S * 8/2010 Lai et al. D12/87
D624,848 S * 10/2010 Shimomura D12/14
D625,662 S * 10/2010 Li D12/87
D631,395 S * 1/2011 Tandrup et al. D12/14
D633,006 S * 2/2011 Sanschagrin et al. D12/1
D636,704 S * 4/2011 Yoo et al. D12/1
D640,598 S * 6/2011 Zhang D12/16
D641,288 S * 7/2011 Sun D12/87
D642,493 S * 8/2011 Goebert et al. D12/87
D670,198 S * 11/2012 Li et al. D12/14
8,302,711 B2 * 11/2012 Kinsman et al. 180/41
2008/0053738 A1 * 3/2008 Kosuge et al. 180/311
2010/0155170 A1 * 6/2010 Melvin et al. 180/339

* cited by examiner

Primary Examiner — T. Chase Nelson
Assistant Examiner — Ania Aman
(74) *Attorney, Agent, or Firm* — Locke Lord LLP

(57) **CLAIM**
The ornamental design for a utility terrain vehicle, as shown and described.

(56) **References Cited**

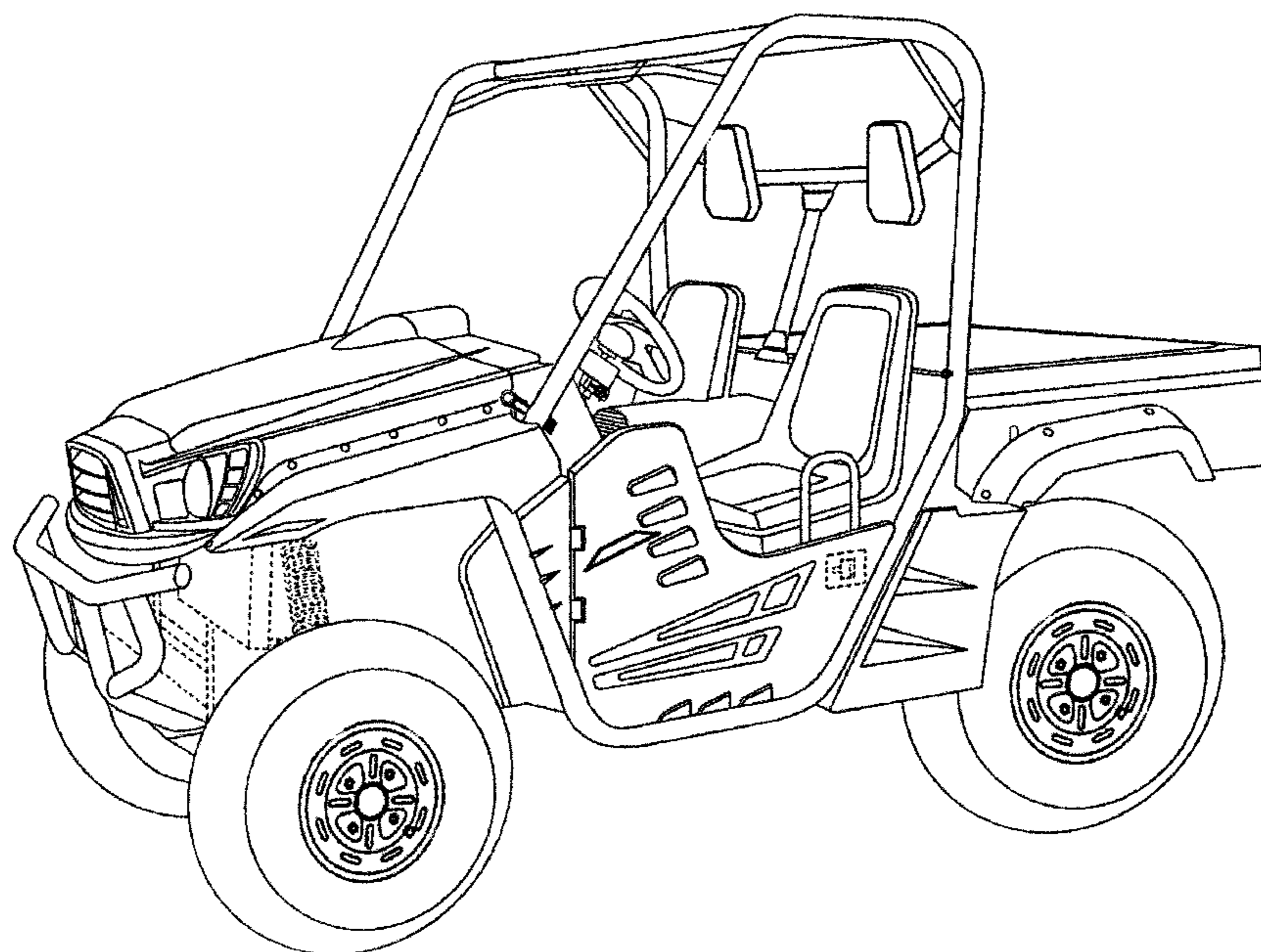
U.S. PATENT DOCUMENTS

D503,657 S * 4/2005 Katoh D12/14
D504,638 S * 5/2005 Tanaka et al. D12/14
D511,317 S * 11/2005 Tanaka et al. D12/1
7,281,753 B2 * 10/2007 Curtis et al. 296/146.1
D578,433 S * 10/2008 Kawaguchi et al. D12/14
D578,934 S * 10/2008 Tanaka et al. D12/14
D592,998 S * 5/2009 Woodard et al. D12/14
D595,613 S * 7/2009 Lai et al. D12/14
D604,201 S * 11/2009 Kawaguchi et al. D12/14
D605,555 S * 12/2009 Tanaka et al. D12/14
D606,900 S * 12/2009 Flores D12/87
D607,377 S * 1/2010 Shimomura et al. D12/14
D621,423 S * 8/2010 Nakanishi et al. D15/23

DESCRIPTION

FIG. 1 is a left perspective view of the utility terrain vehicle showing my new design thereof;
FIG. 2 is a left side view thereof;
FIG. 3 is a right side view thereof;
FIG. 4 is a top view thereof;
FIG. 5 is a front view thereof; and,
FIG. 6 is a rear view thereof.
The broken lines showing of portions of the utility terrain vehicle are included for the purpose of illustrating environmental structure and form no part of the claimed design.

1 Claim, 6 Drawing Sheets



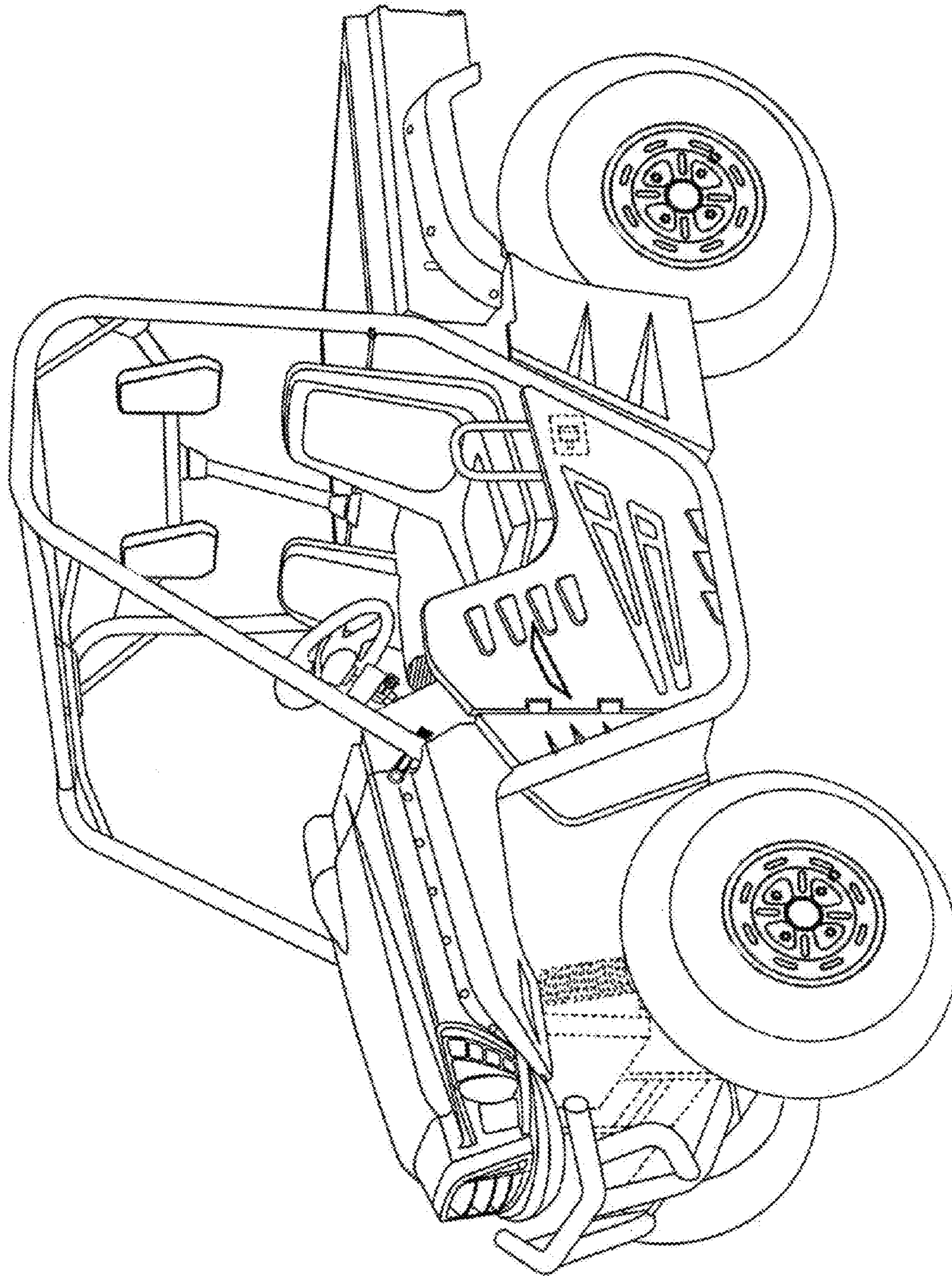


FIG. 1

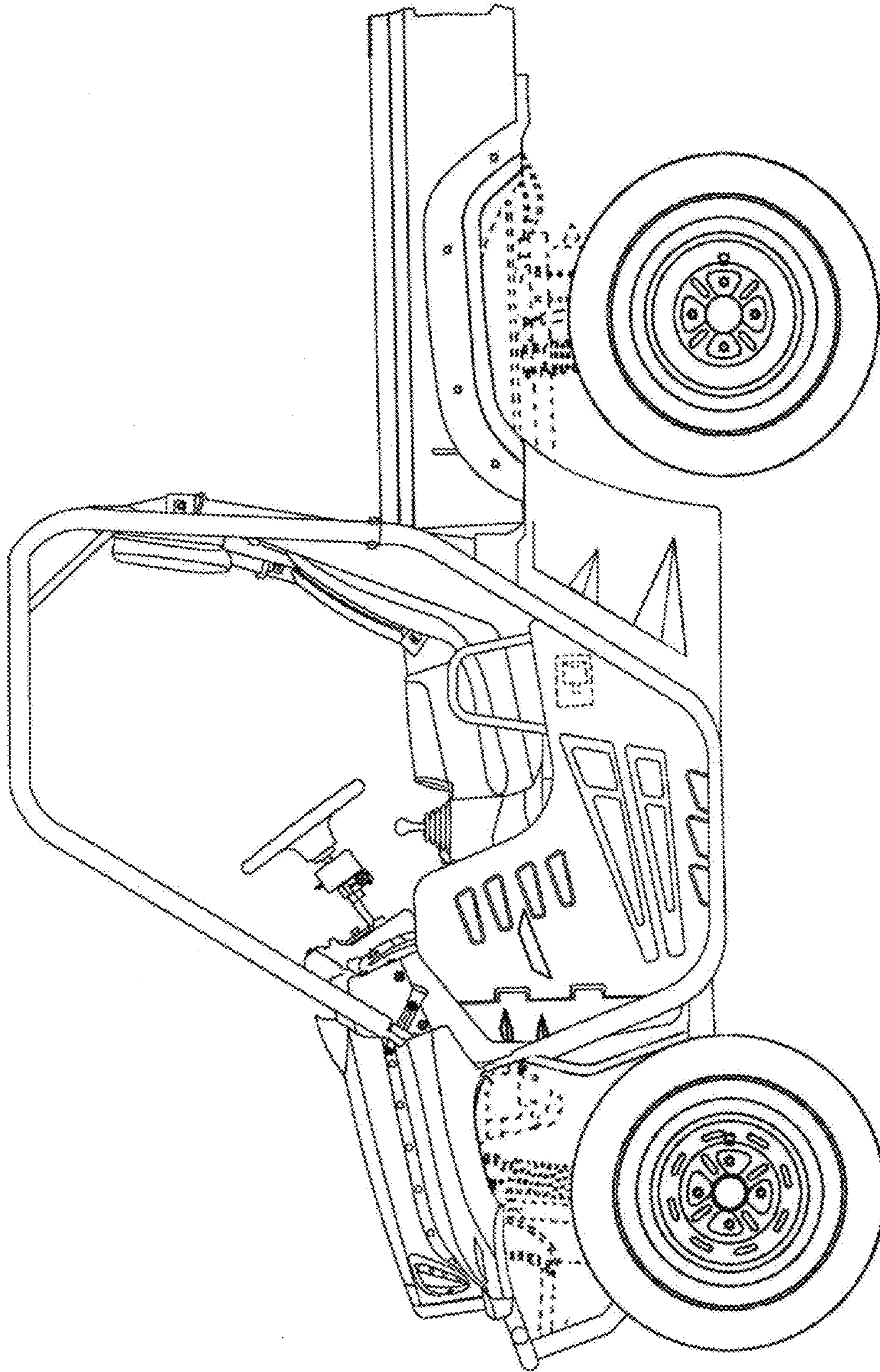


FIG. 2

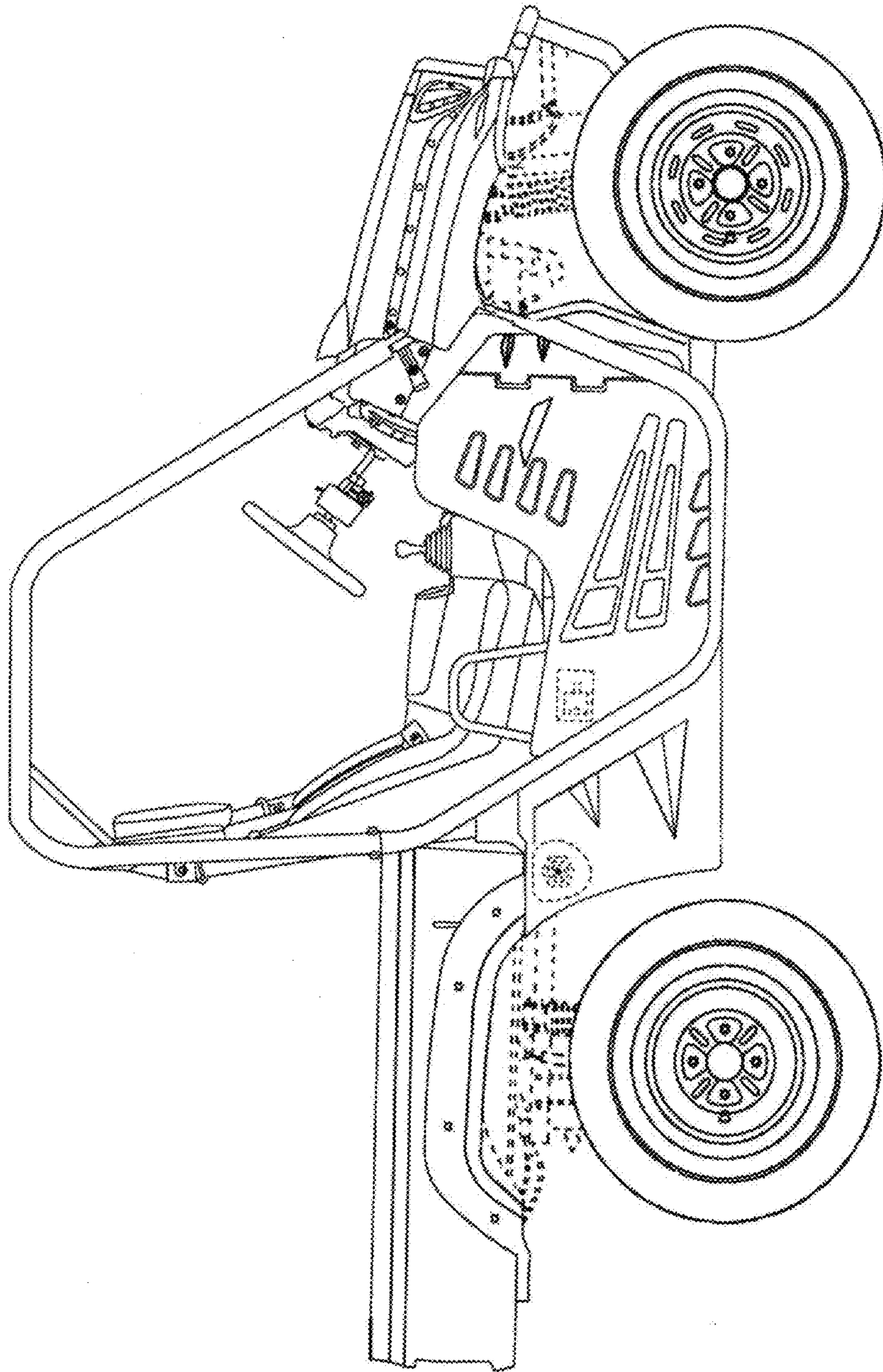


FIG. 3

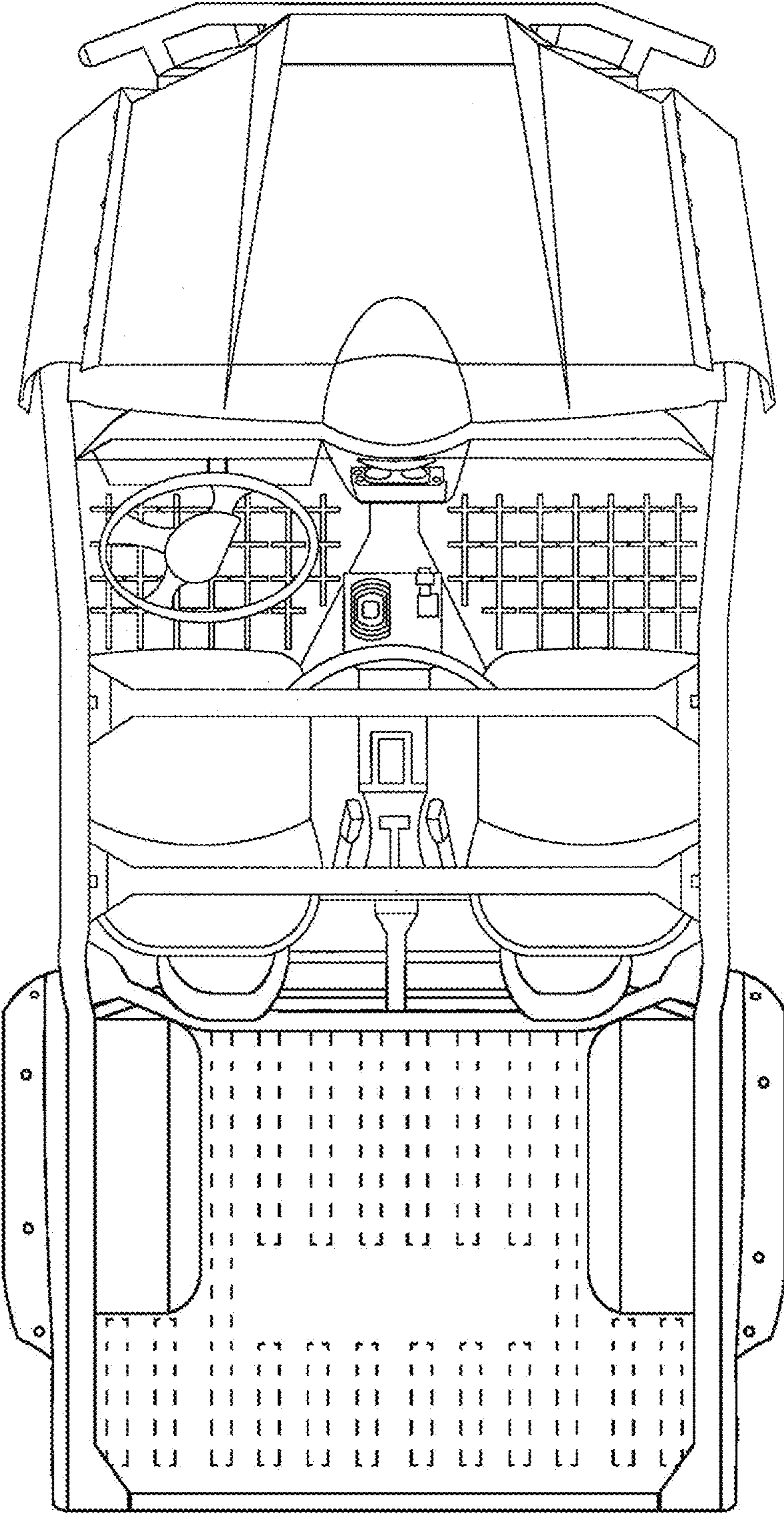


FIG. 4

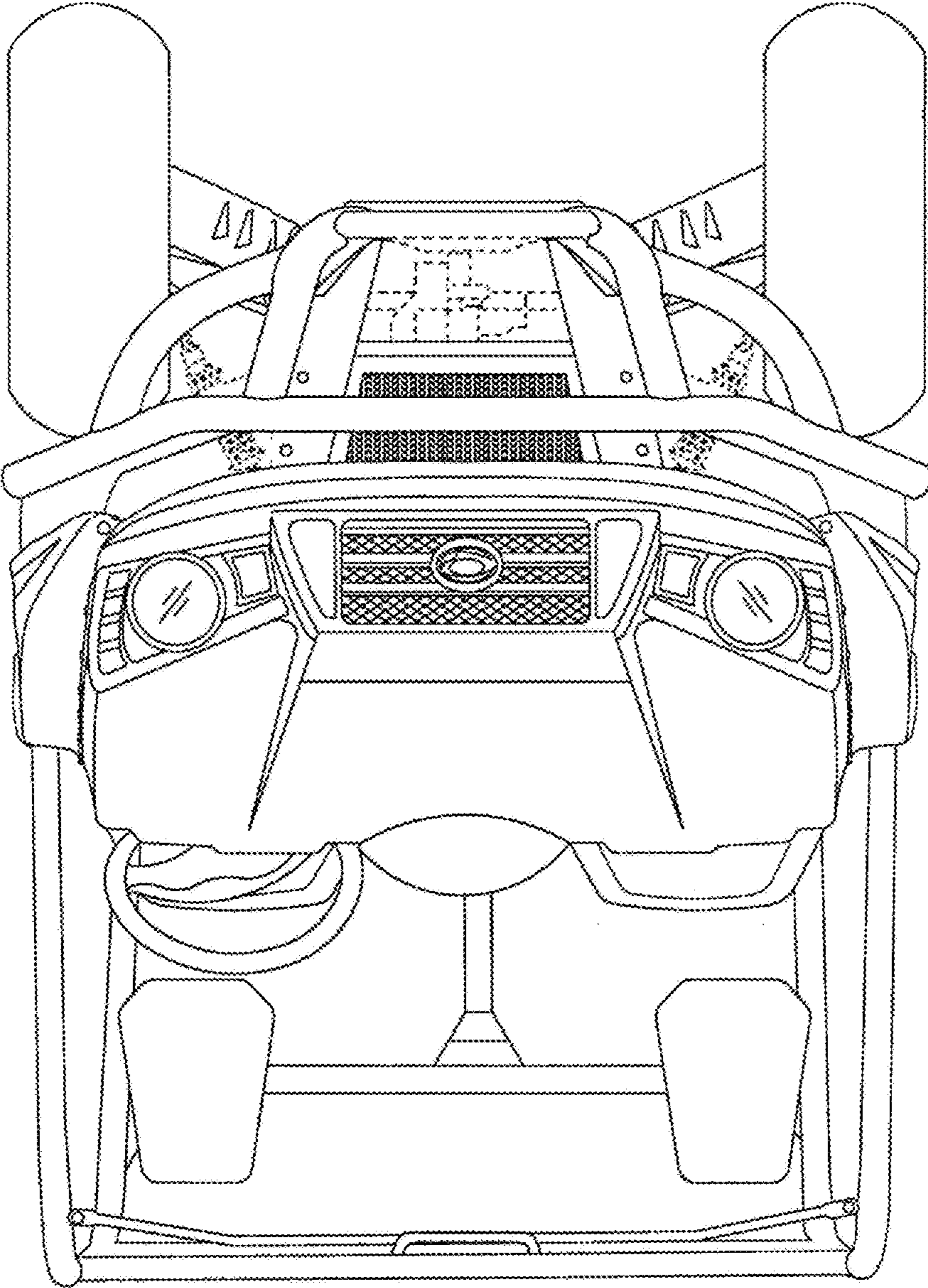


FIG. 5

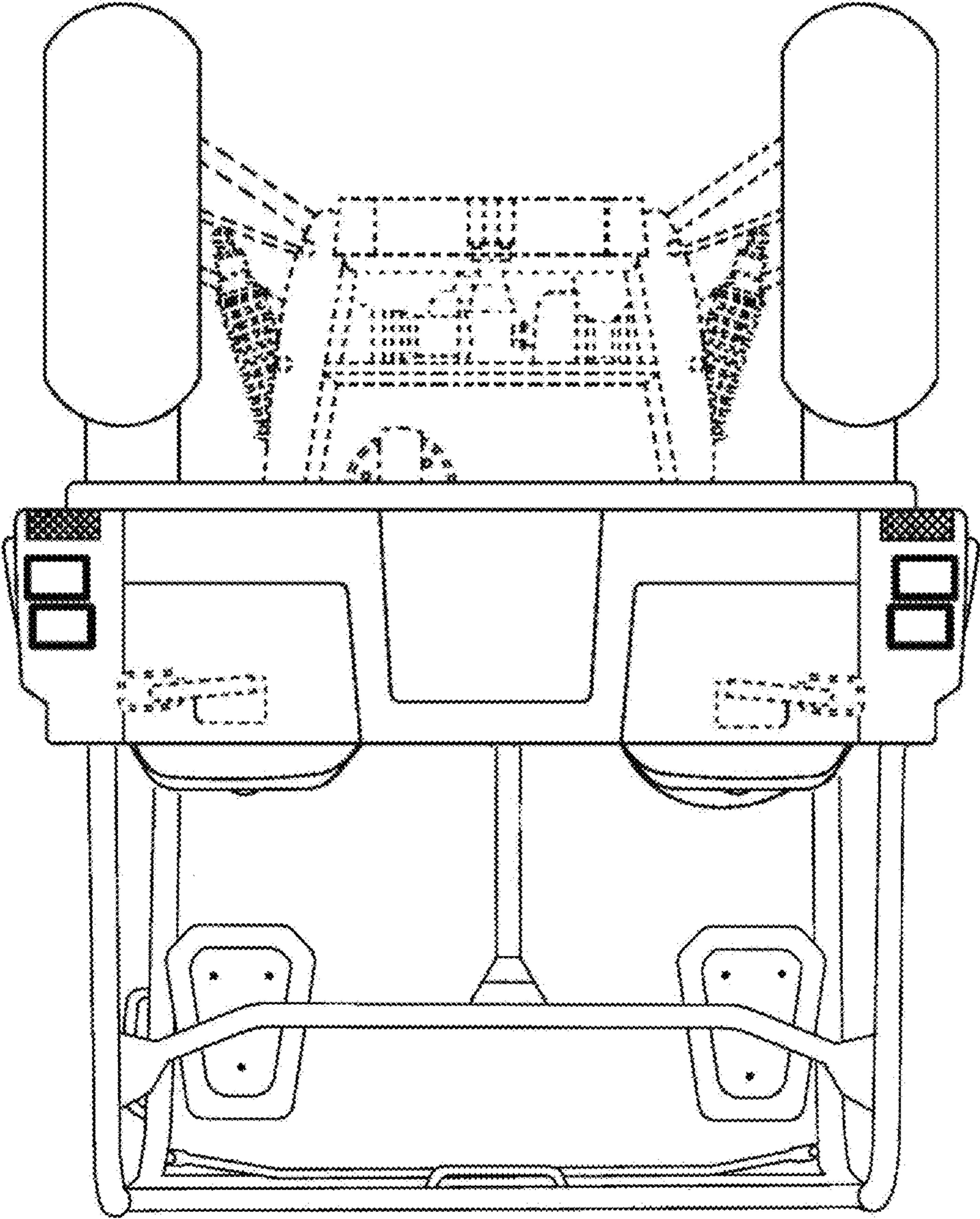


FIG. 6