



US00D679624S

(12) **United States Design Patent**  
**Robbins**

(10) **Patent No.:** **US D679,624 S**

(45) **Date of Patent:** **\*\* Apr. 9, 2013**

(54) **RELIGIOUS CROSS JEWELRY**

(76) Inventor: **Lori Ann Robbins**, Windermere, FL  
(US)

(\*\*) Term: **14 Years**

(21) Appl. No.: **29/426,816**

(22) Filed: **Jul. 11, 2012**

(51) **LOC (9) Cl.** ..... **11-03**

(52) **U.S. Cl.**  
USPC ..... **D11/96**

(58) **Field of Classification Search** ..... D11/30,  
D11/44, 48, 60, 79, 81, 86, 95-99, 116, 120,  
D11/125, 131, 133, 149, 157, 172, 211, 217,  
D11/219, 223, 238, 56; 63/1.11, 1.12, 1.13,  
63/1.14, 1.16, 1.18, 13, 14.1, 35, 39, 19;  
D8/348, 351; D99/5, 17, 25, 27, 30; D19/34;  
428/3, 27

See application file for complete search history.

(56) **References Cited**

U.S. PATENT DOCUMENTS

D115,152 S *	6/1939	Larkin	.....	D11/96
D237,723 S *	11/1975	Sweet	.....	D11/81
D268,963 S *	5/1983	Wiman	.....	D11/48
D455,672 S *	4/2002	Knezevich	.....	D11/96
D506,945 S *	7/2005	Guthrie, III	.....	D11/79
D518,939 S *	4/2006	Borgerding	.....	D99/5
D525,163 S *	7/2006	Balch	.....	D11/86

D575,925 S *	8/2008	Ivey	.....	D99/17
D578,275 S *	10/2008	Shantz et al.	.....	D99/17
D588,901 S *	3/2009	Curtis-Bey	.....	D8/351
D615,449 S *	5/2010	Hayden et al.	.....	D11/96
D653,988 S *	2/2012	Hayden et al.	.....	D11/96
D666,120 S *	8/2012	Austin	.....	D11/120

OTHER PUBLICATIONS

Celtic Cross found by inventor on Internet web page attached. <http://www.seiyaku.com/customs/crosses/celtic.html>.

\* cited by examiner

*Primary Examiner* — T. Chase Nelson

*Assistant Examiner* — Mark Cavanna

(74) *Attorney, Agent, or Firm* — John V. Stewart

(57) **CLAIM**

The ornamental design for religious cross jewelry, as shown.

**DESCRIPTION**

FIG. 1 is a front view of a religious cross jewelry according to the invention;

FIG. 2 is a back view thereof;

FIG. 3 is a right side view thereof, the left side view being a mirror image;

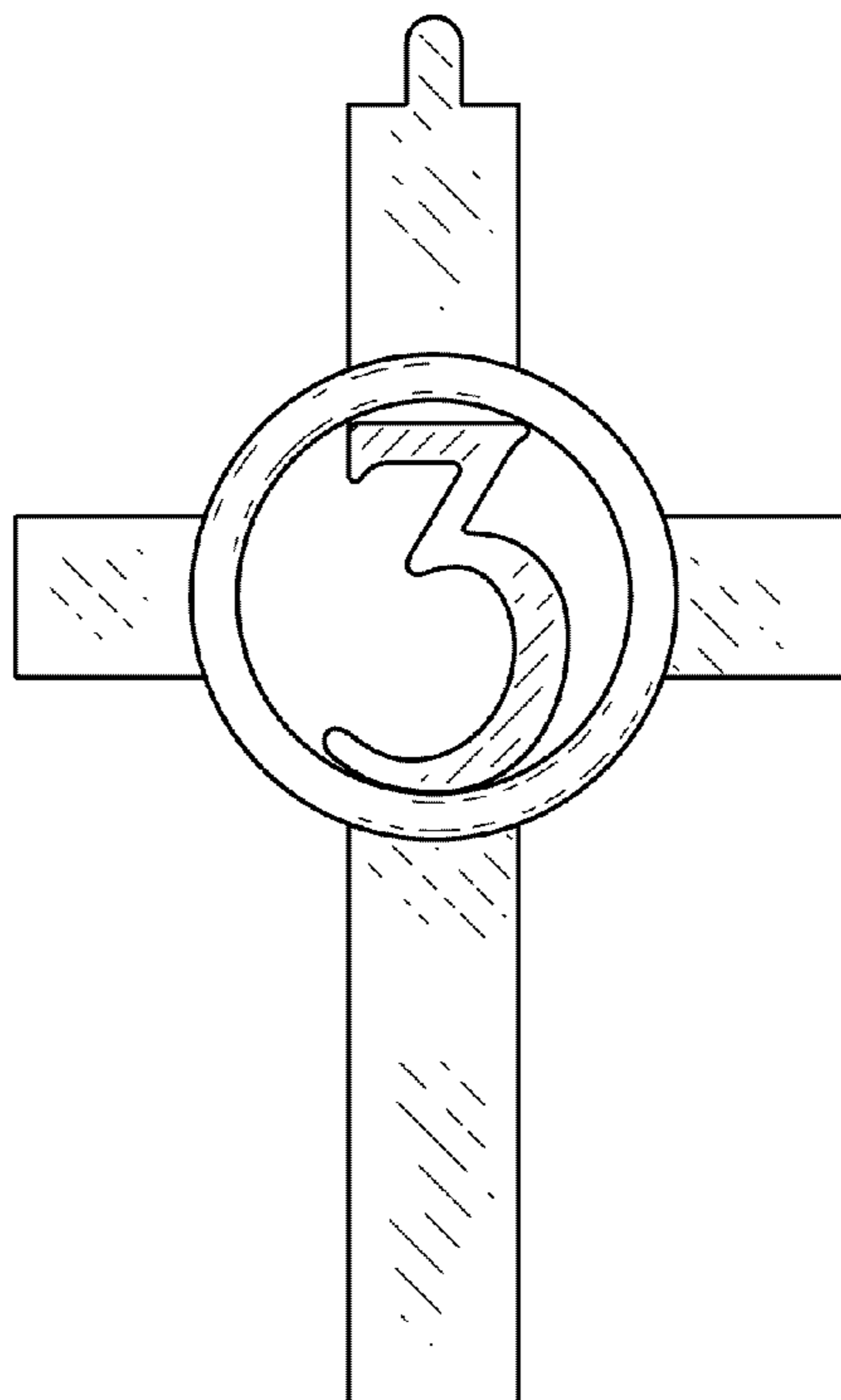
FIG. 4 is a top view thereof;

FIG. 5 is a bottom view thereof;

FIG. 6 is a front/left perspective view thereof; and,

FIG. 7 is a back/left perspective view thereof.

**1 Claim, 2 Drawing Sheets**



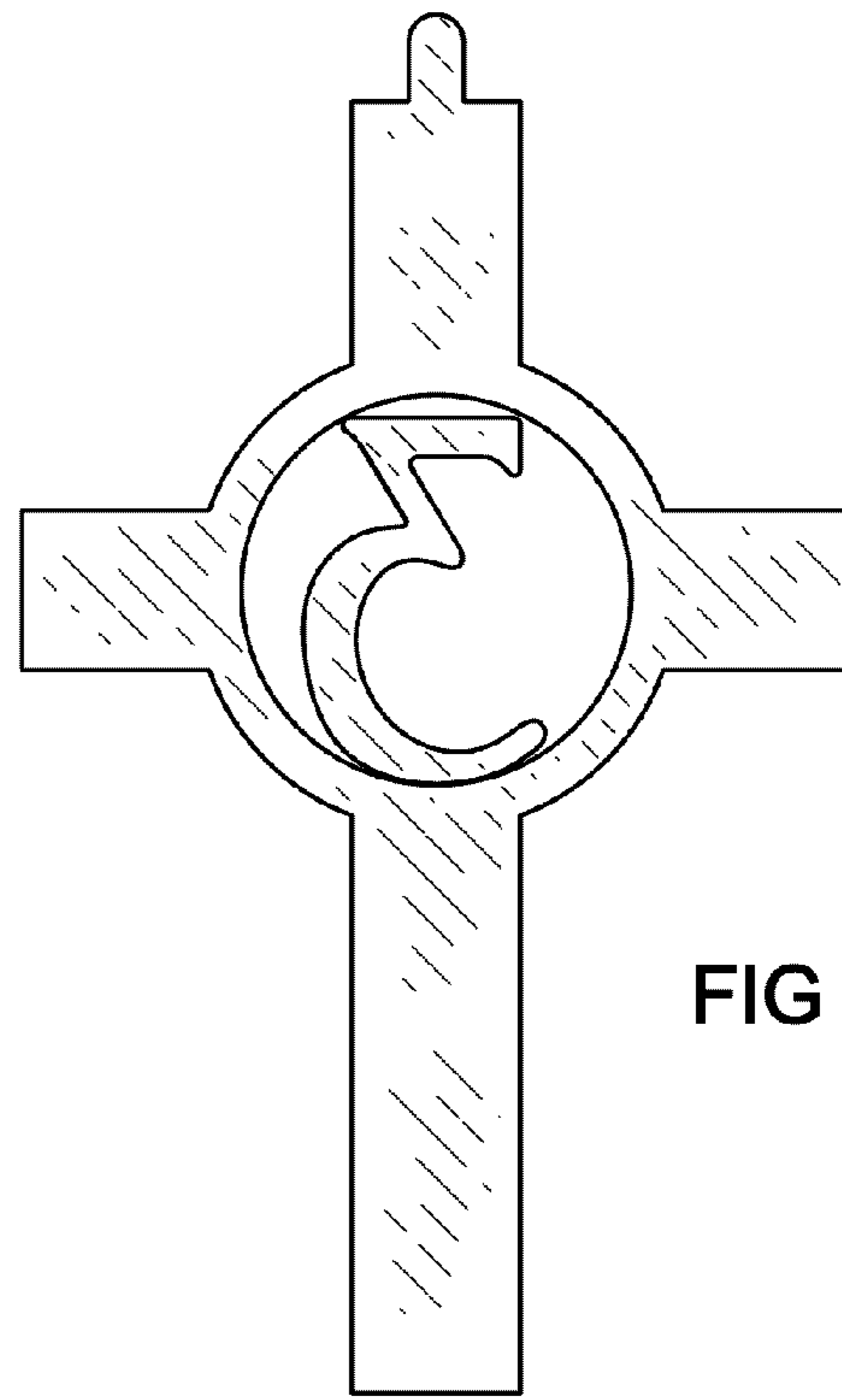
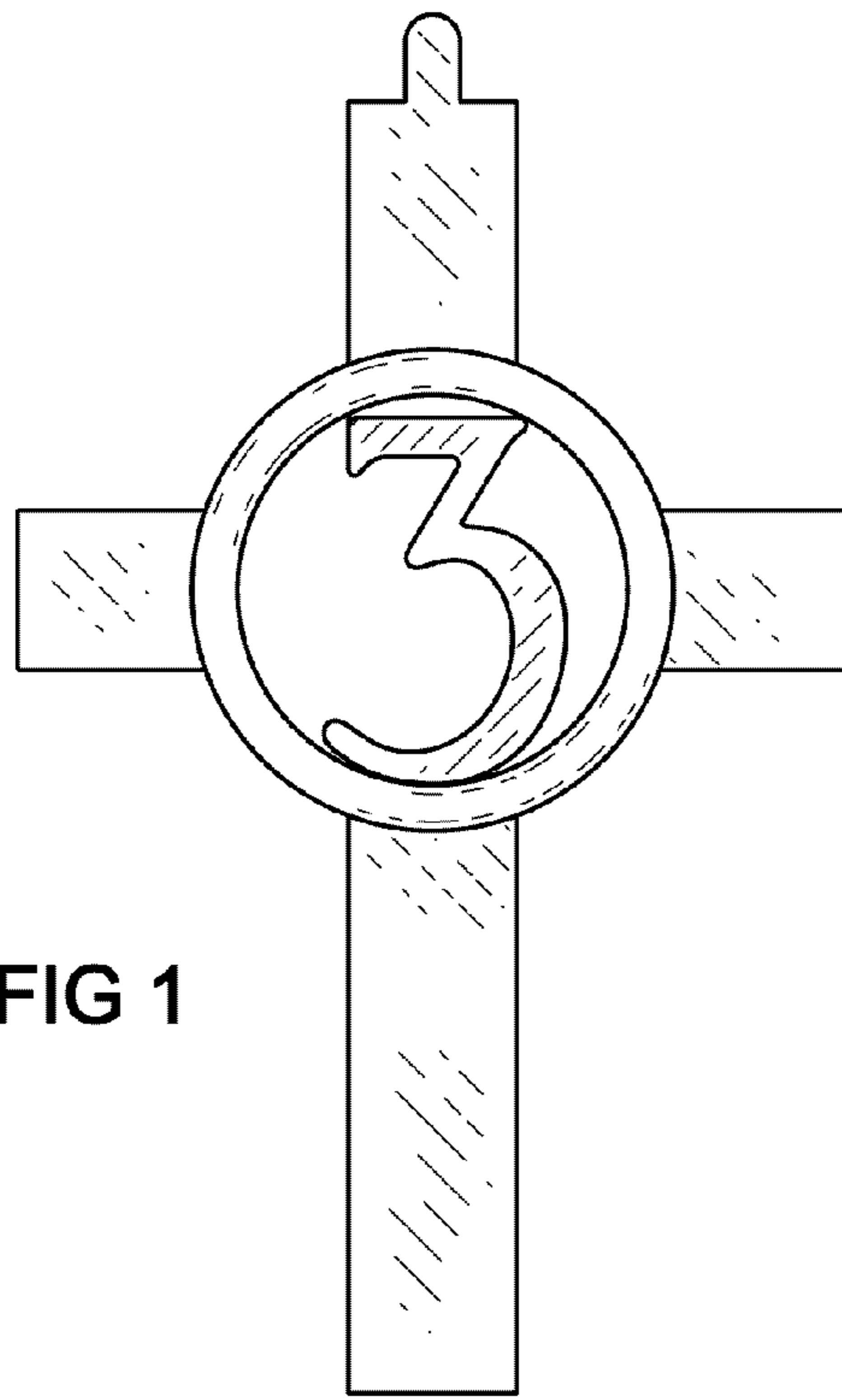


FIG 1

FIG 2

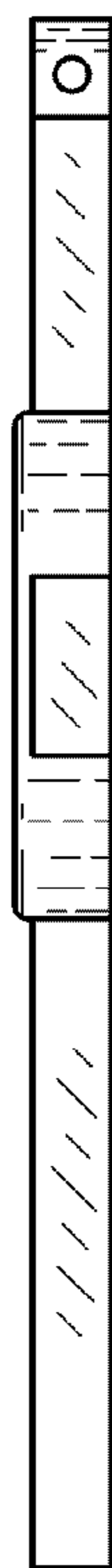


FIG 3

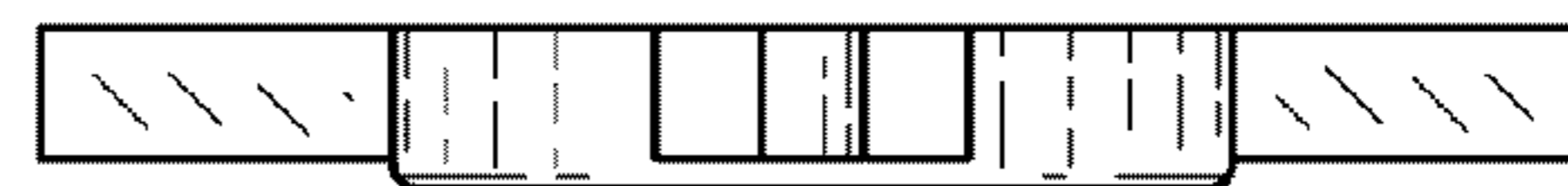


FIG 4



FIG 5

