



US00D679620S

(12) **United States Design Patent**
Ten Wolde

(10) **Patent No.:** **US D679,620 S**

(45) **Date of Patent:** **** *Apr. 9, 2013**

(54) **SAFETY/EMERGENCY LIGHTING APPARATUS**

(75) Inventor: **Michael Robert Ten Wolde**, Den Haag (NL)

(73) Assignee: **Nodazzle Holding B.V.**, Den Haag (NL)

(*) Notice: This patent is subject to a terminal disclaimer.

(**) Term: **14 Years**

(21) Appl. No.: **29/394,140**

(22) Filed: **Jun. 14, 2011**

(51) **LOC (9) Cl.** **10-05**

(52) **U.S. Cl.**
USPC **D10/114.2**

(58) **Field of Classification Search** D10/114.1,
D10/114.2, 114.8, 113.1; D26/30, 31, 37,
D26/72; 404/9-16; 362/40, 414, 431, 308,
362/327, 183-208

See application file for complete search history.

(56) **References Cited**

U.S. PATENT DOCUMENTS

D226,218	S	*	1/1973	Angibaud	D26/37
D275,423	S	*	9/1984	Stansbury et al.	D26/38
D314,243	S	*	1/1991	Ueda	D26/28
D358,223	S	*	5/1995	Ferrell et al.	D26/37
D374,492	S	*	10/1996	Coe	D26/37
D390,678	S	*	2/1998	Matthes	D26/37
D469,901	S	*	2/2003	Dalton et al.	D26/37
D552,292	S	*	10/2007	Martineau	D26/85
2004/0090774	A1	*	5/2004	Hsueh	362/183

* cited by examiner

Primary Examiner — George D Kirschbaum
(74) *Attorney, Agent, or Firm* — Jordan IP Law, LLC

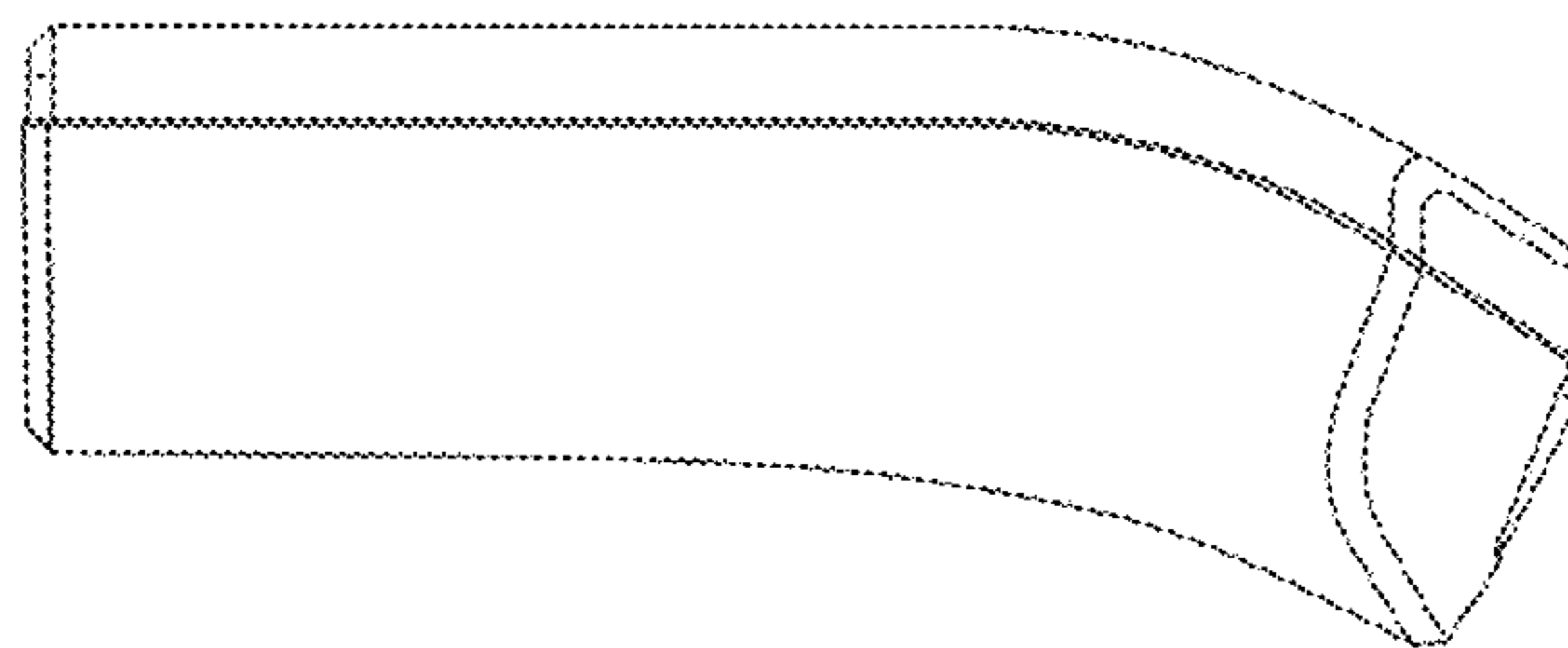
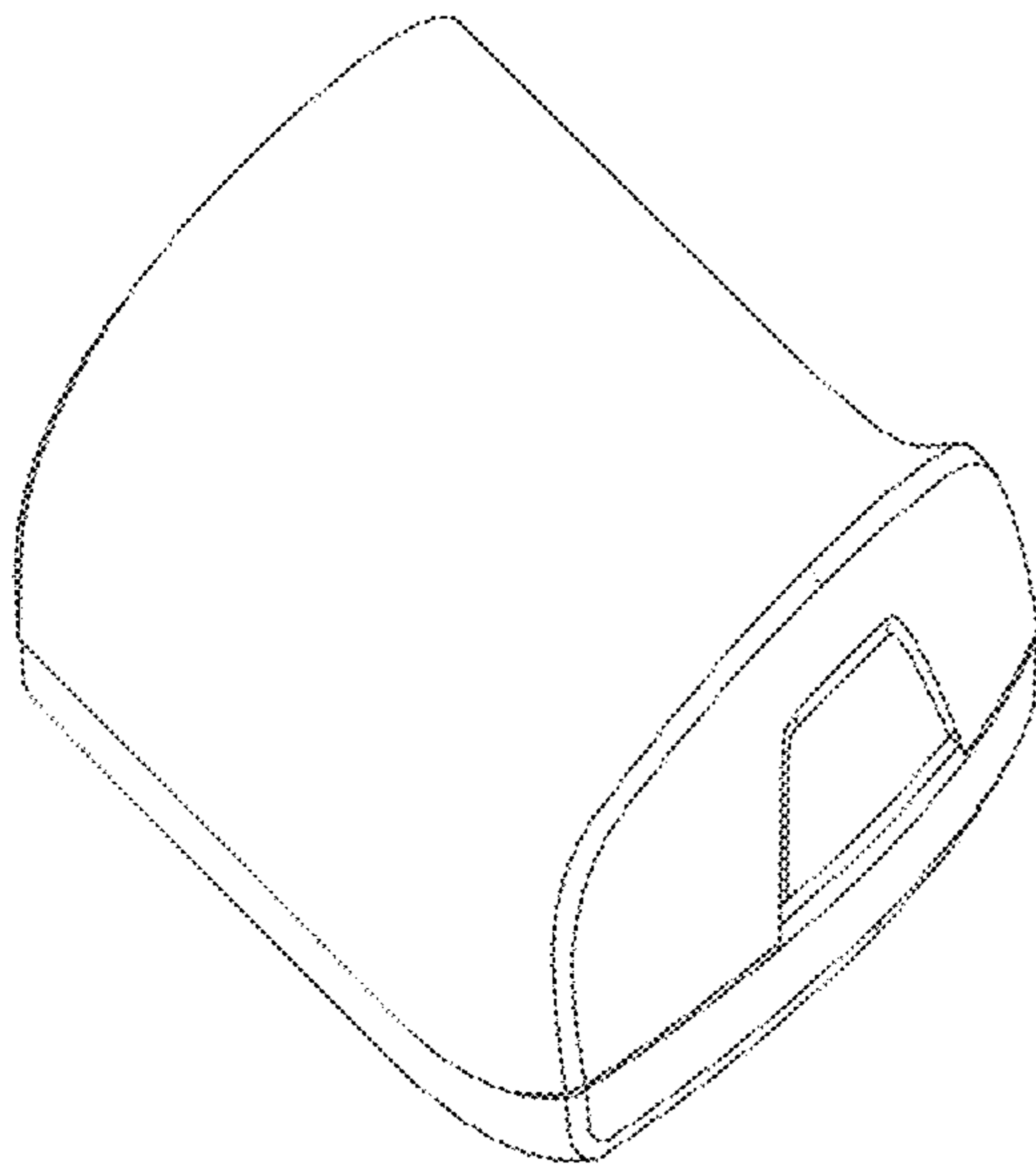
(57) **CLAIM**

The ornamental design for a safety/emergency lighting apparatus, as shown.

DESCRIPTION

FIG. 1 illustrates a perspective view of a safety/emergency lighting apparatus.
FIG. 2 illustrates an inverted side view thereof.
FIG. 3 illustrates a top plan view thereof.
FIG. 4 illustrates a rear view thereof.
FIG. 5 illustrates a side plan view thereof.
FIG. 6 illustrates a front view thereof; and,
FIG. 7 illustrates a bottom plan view thereof.

1 Claim, 7 Drawing Sheets



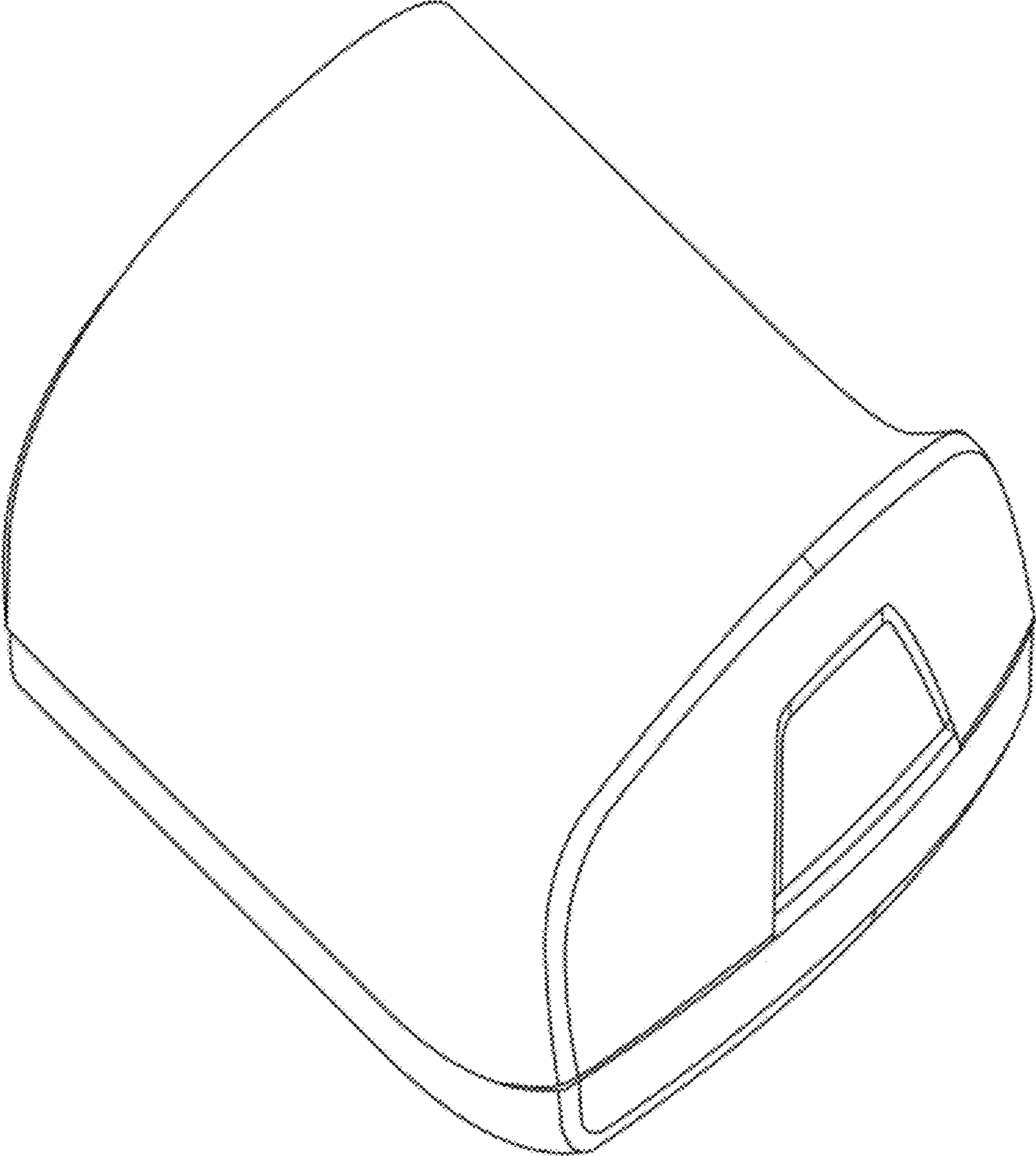


FIG. 1

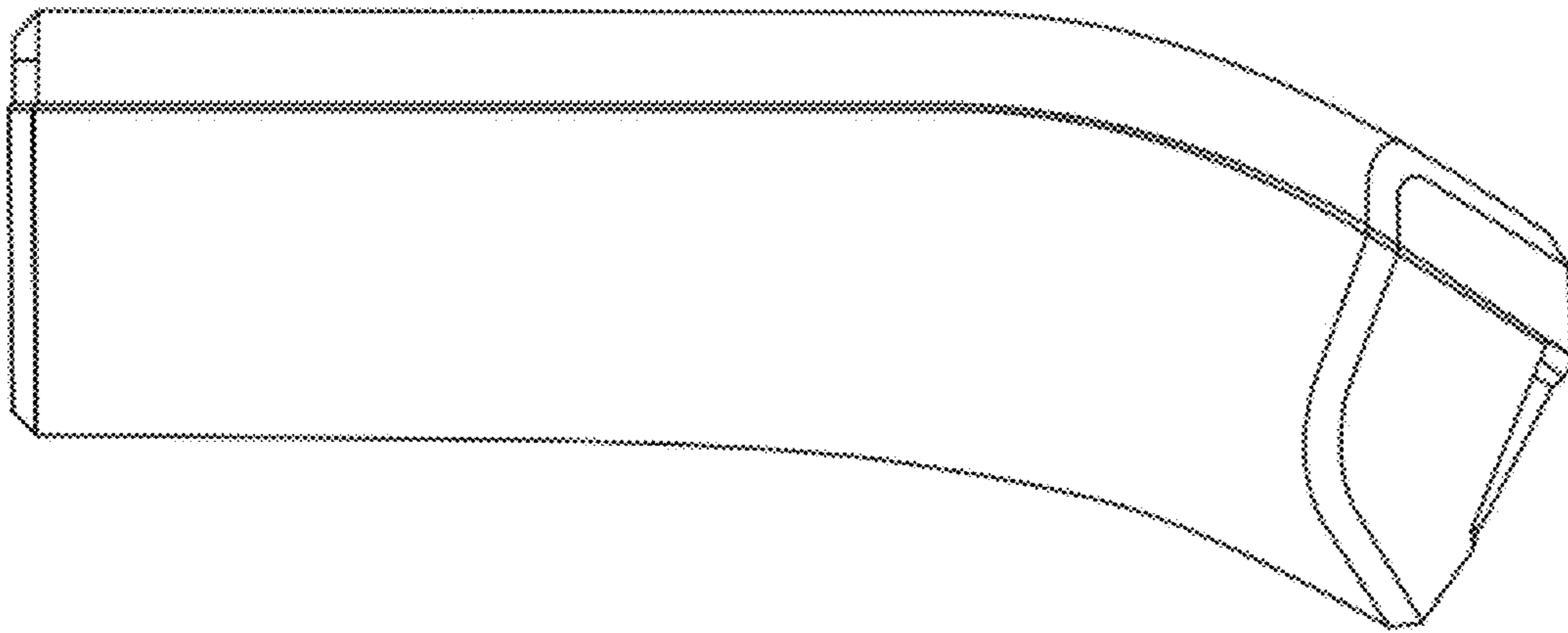


FIG. 2

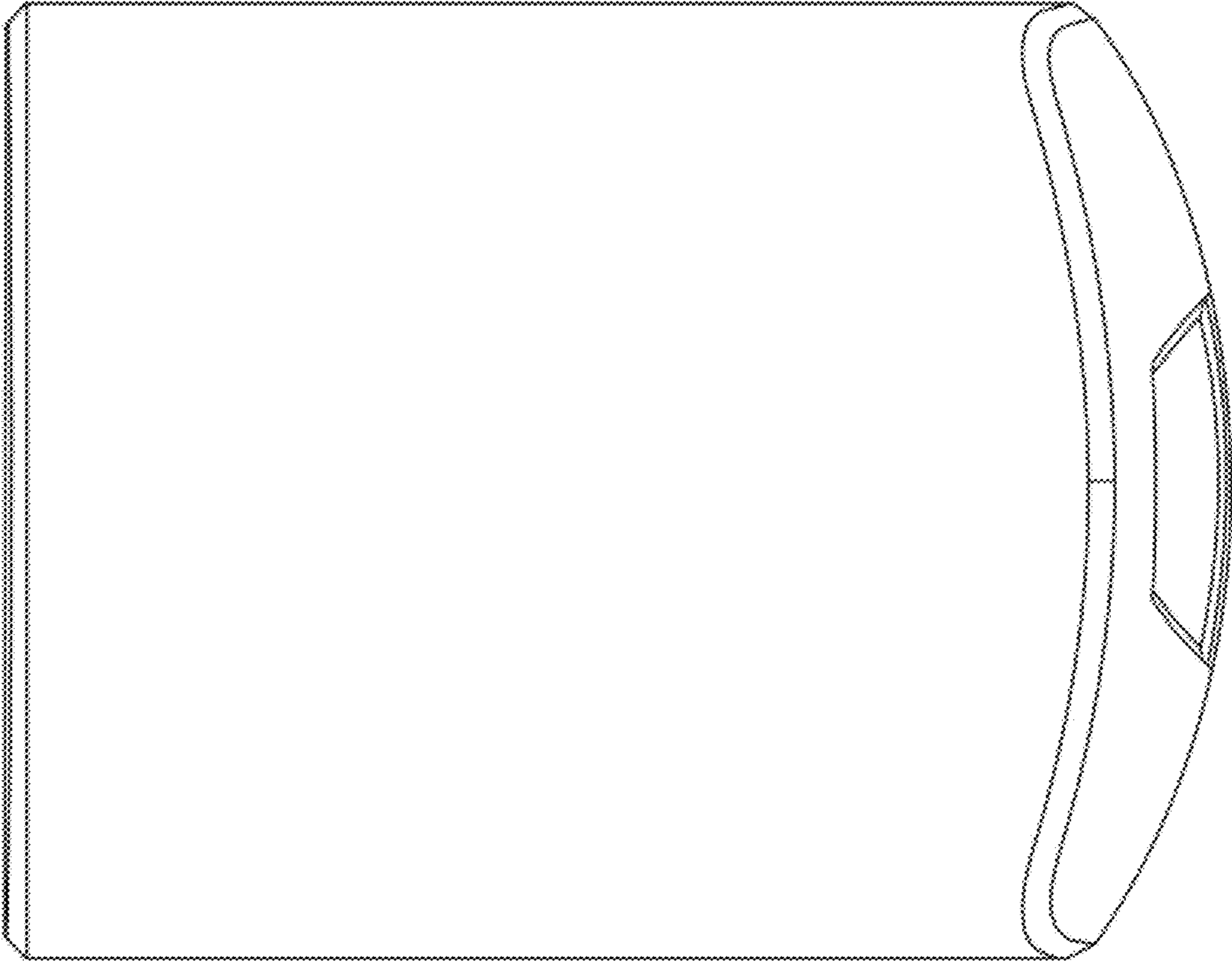


FIG. 3

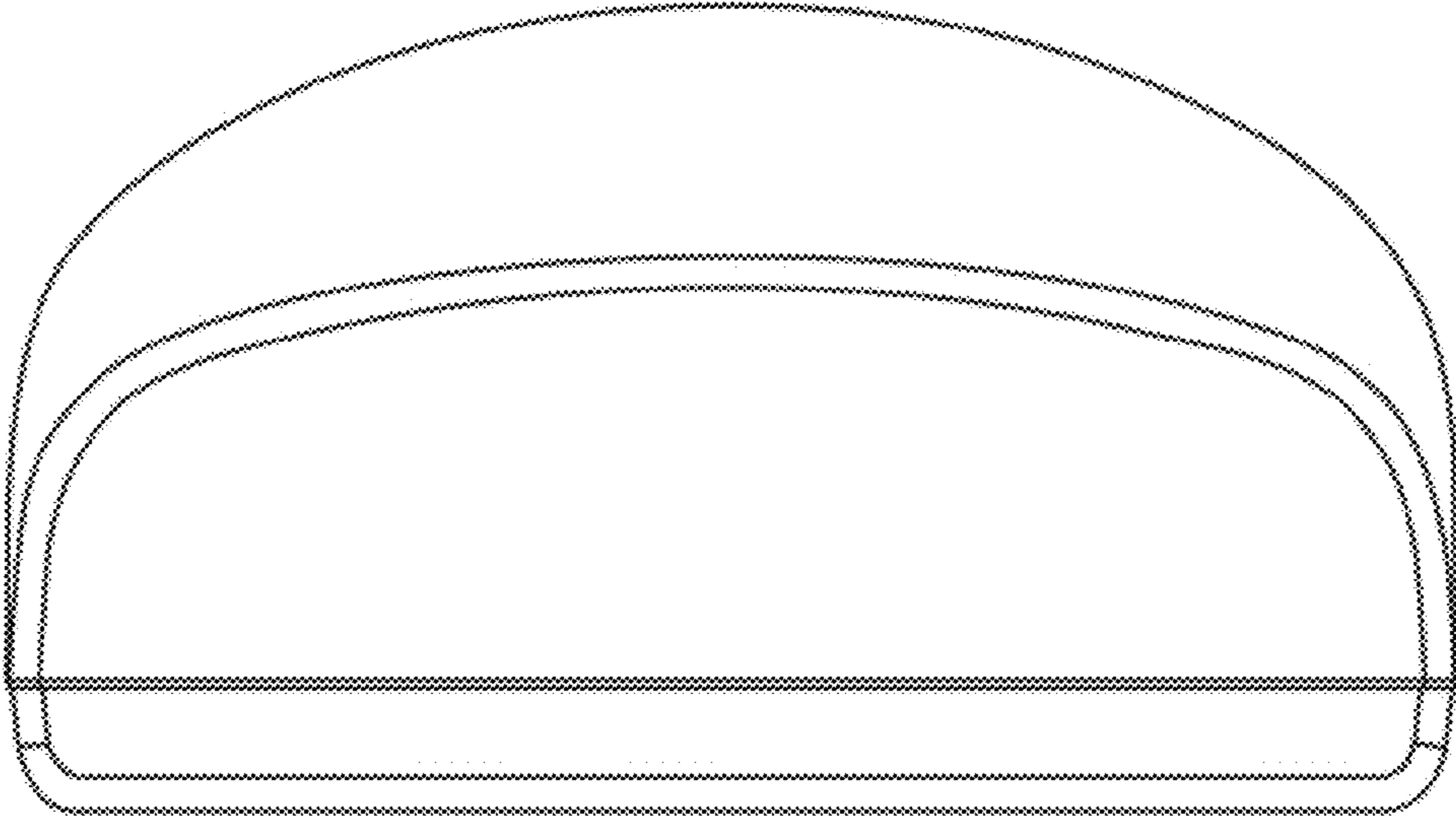


FIG. 4

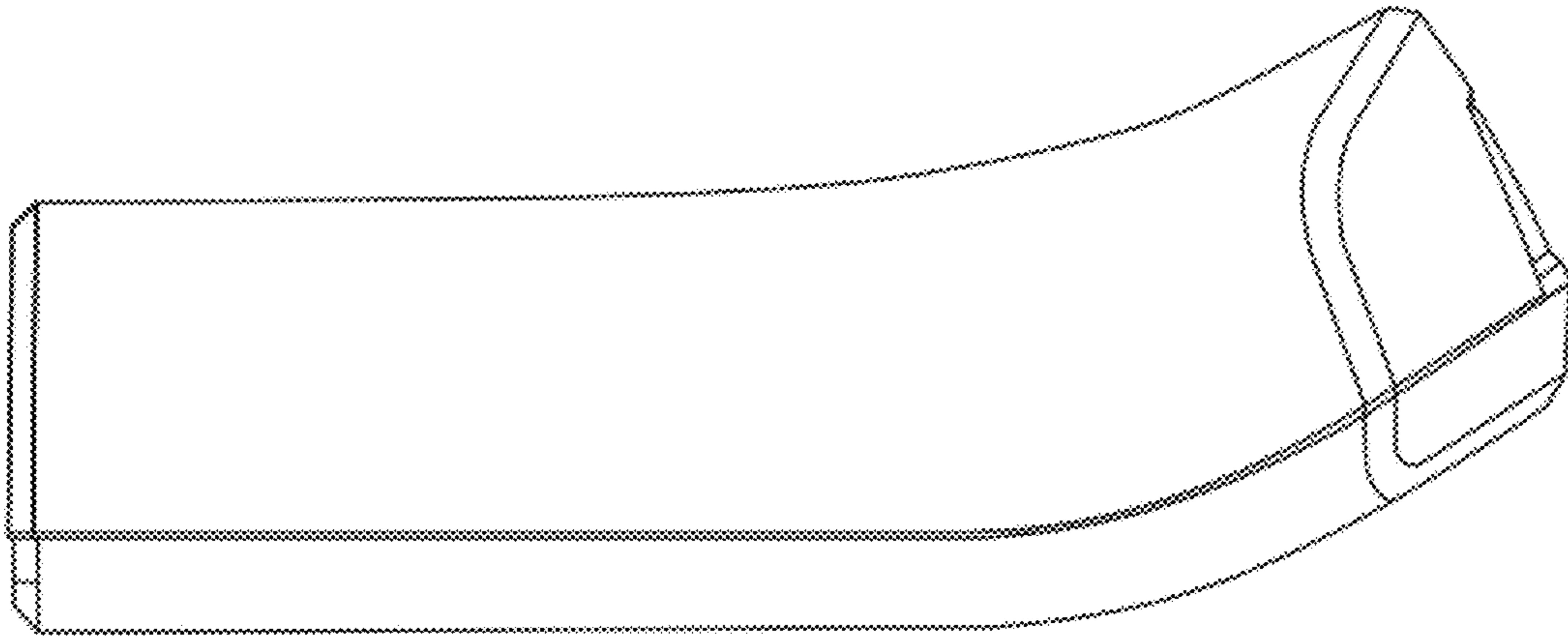


FIG. 5

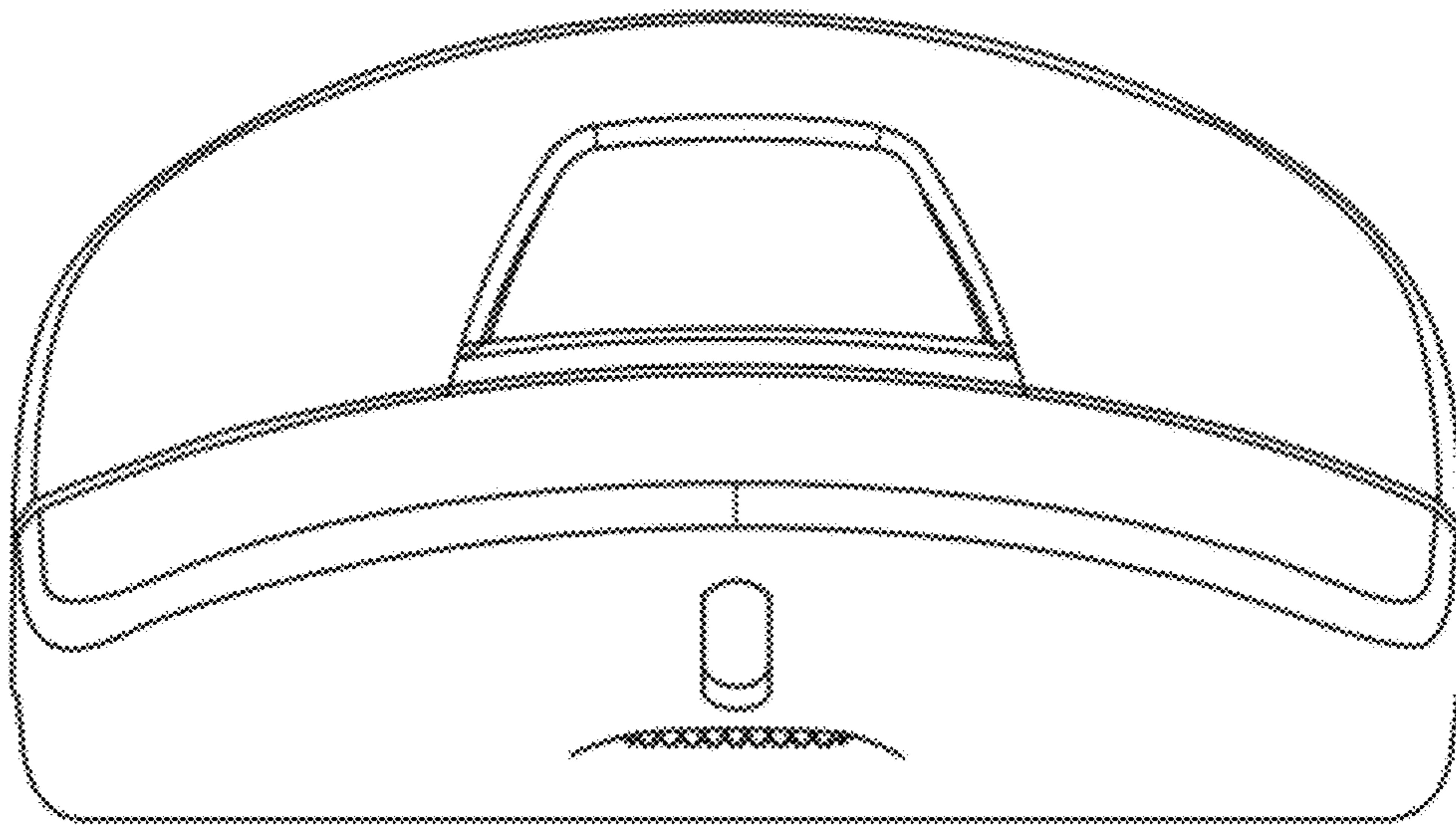


FIG. 6

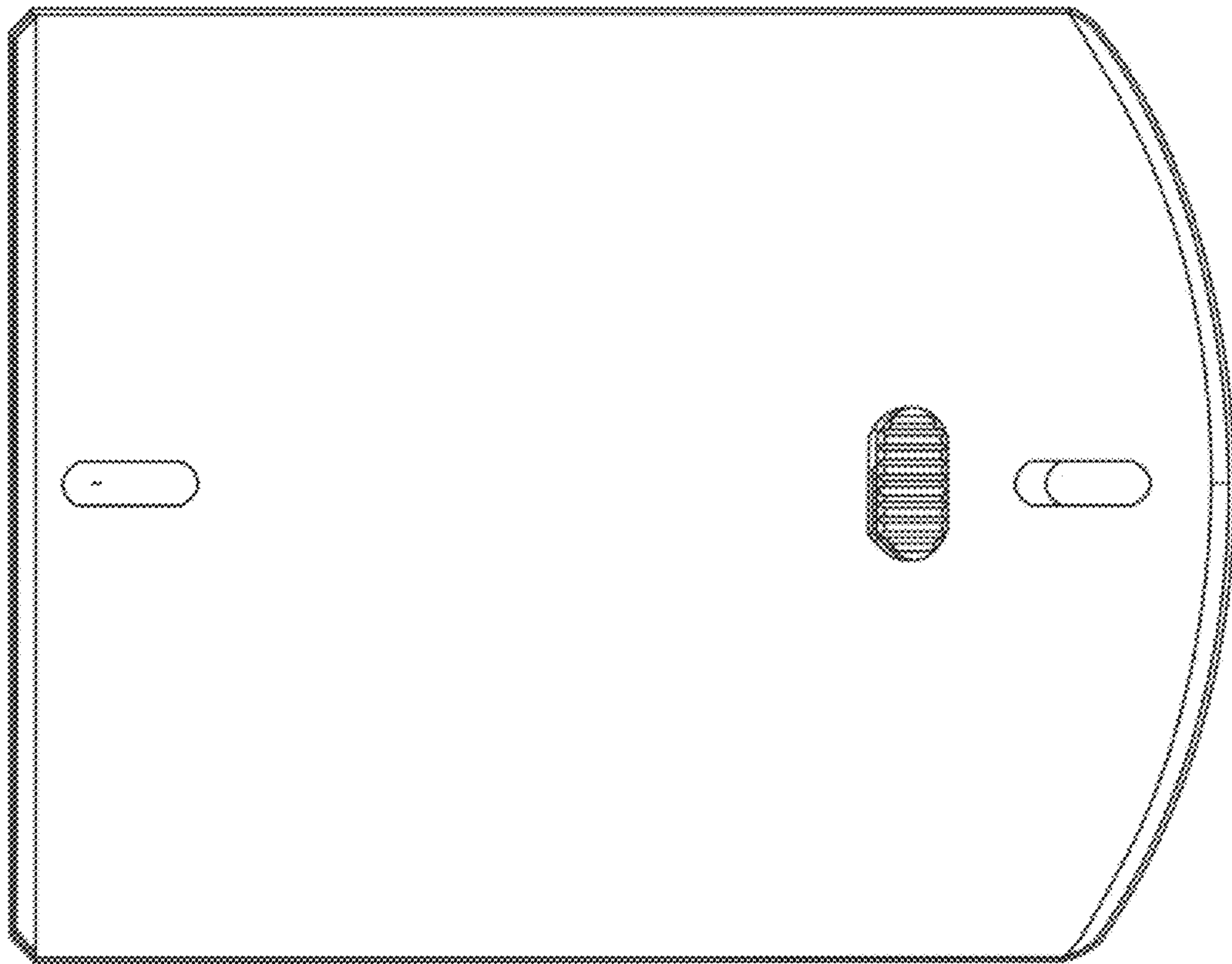


FIG. 7

UNITED STATES PATENT AND TRADEMARK OFFICE
CERTIFICATE OF CORRECTION

PATENT NO. : D679,620 S
APPLICATION NO. : 29/394140
DATED : April 9, 2013
INVENTOR(S) : Michel Robert Ten Wolde

Page 1 of 1

It is certified that error appears in the above-identified patent and that said Letters Patent is hereby corrected as shown below:

On the title page, Item (75), the inventor should be:

--Michel Robert Ten Wolde, Den Haag (NL)--

Signed and Sealed this
Twenty-first Day of October, 2014



Michelle K. Lee
Deputy Director of the United States Patent and Trademark Office