



US00D679618S

(12) **United States Design Patent**
Dumas et al.

(10) **Patent No.:** **US D679,618 S**
(45) **Date of Patent:** **** Apr. 9, 2013**

(54) **SIGNAL TRANSMITTER**

(75) Inventors: **Martin Dumas**, La Prairie (CA); **Dong Wang**, Fujian (CN)

(73) Assignee: **Electronique Giant Inc.**, Montreal, Quebec (CA)

(**) Term: **14 Years**

(21) Appl. No.: **29/380,997**

(22) Filed: **Dec. 14, 2010**

(51) **LOC (9) Cl.** **10-05**

(52) **U.S. Cl.** **D10/104.2**

(58) **Field of Classification Search** D10/104.1,
D10/104.2; 340/573.4

See application file for complete search history.

(56) **References Cited**

U.S. PATENT DOCUMENTS

D329,620	S	*	9/1992	Salazar	D10/104.2
5,617,074	A	*	4/1997	White	340/573.4
D406,073	S	*	2/1999	Clemons	D10/104.2
D440,170	S	*	4/2001	Conerly	D10/104.2
D534,821	S	*	1/2007	Chen	D10/104.1
D610,922	S	*	3/2010	Lammers-Meis et al.	D10/32
D659,554	S	*	5/2012	Yurman	D10/32
2008/0266116	A1	*	10/2008	Hyatt	340/573.4
2010/0026500	A1	*	2/2010	Lee	340/573.4

* cited by examiner

Primary Examiner — George D Kirschbaum

(74) *Attorney, Agent, or Firm* — Ladas & Parry LLP

(57) **CLAIM**

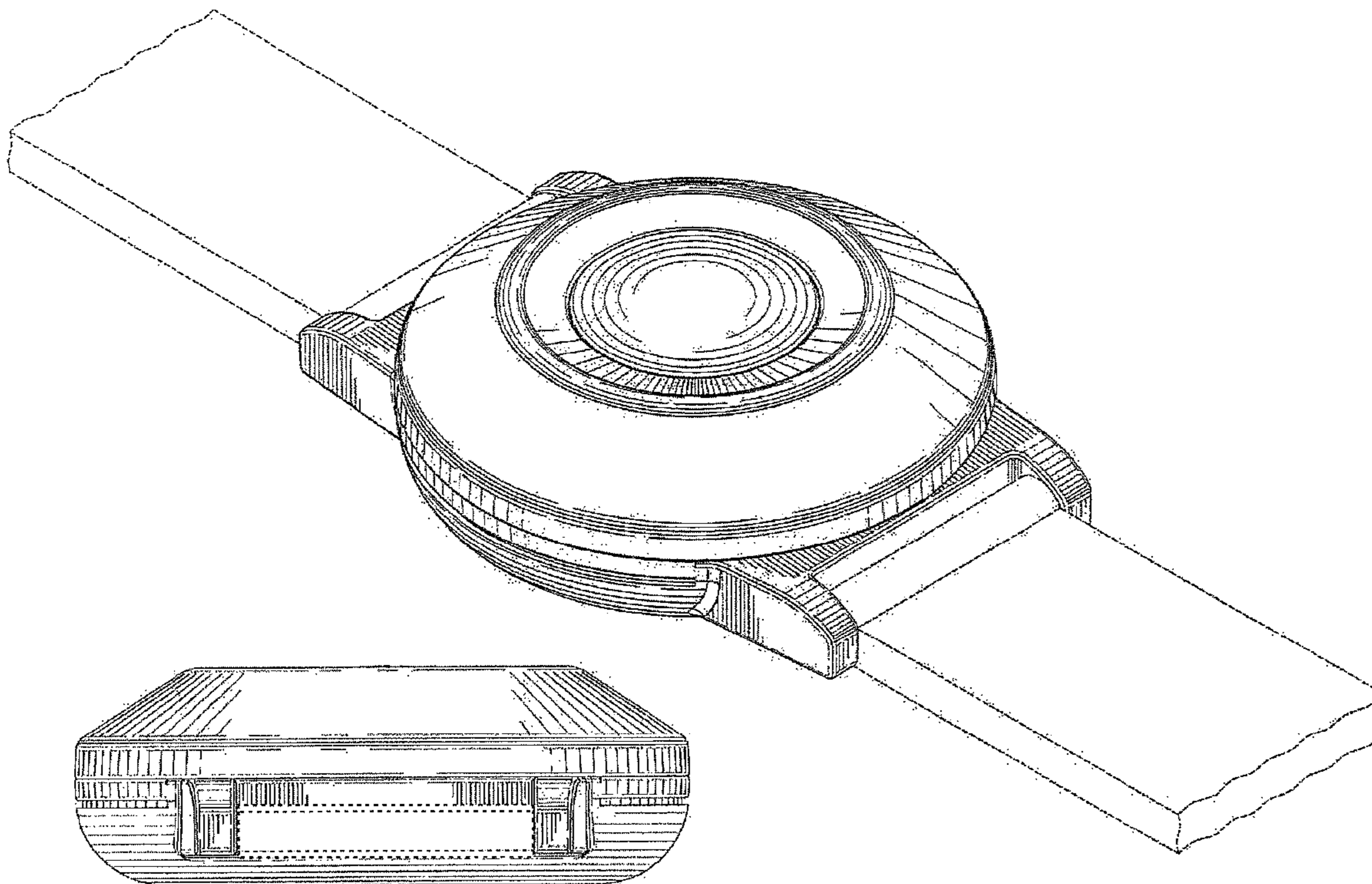
The ornamental design for a signal transmitter, as shown and described.

DESCRIPTION

FIG. 1 is a front, left perspective view of the signal transmitter in accordance with a first embodiment of the design; FIG. 2 is a front side view of the signal transmitter of FIG. 1, the rear side view being a mirror image thereof; FIG. 3 is a left side view of the signal transmitter of FIG. 1, the right side view being a mirror image thereof; FIG. 4 is a top plan view of the signal transmitter of FIG. 1; FIG. 5 is a bottom plan view of the signal transmitter of FIG. 1; FIG. 6 is a front, left perspective view of the signal transmitter in accordance with a second embodiment of the design; FIG. 7 is a front side view of the signal transmitter of FIG. 6, the rear side view being a mirror image thereof; FIG. 8 is a left side view of the signal transmitter of FIG. 6, the right side view being a mirror image thereof; FIG. 9 is a top plan view of the signal transmitter of FIG. 6; and, FIG. 10 is a bottom plan view of the signal transmitter of FIG. 6.

The broken line representations in the Figures are for the purpose of illustration only, and form no part of the design.

1 Claim, 8 Drawing Sheets



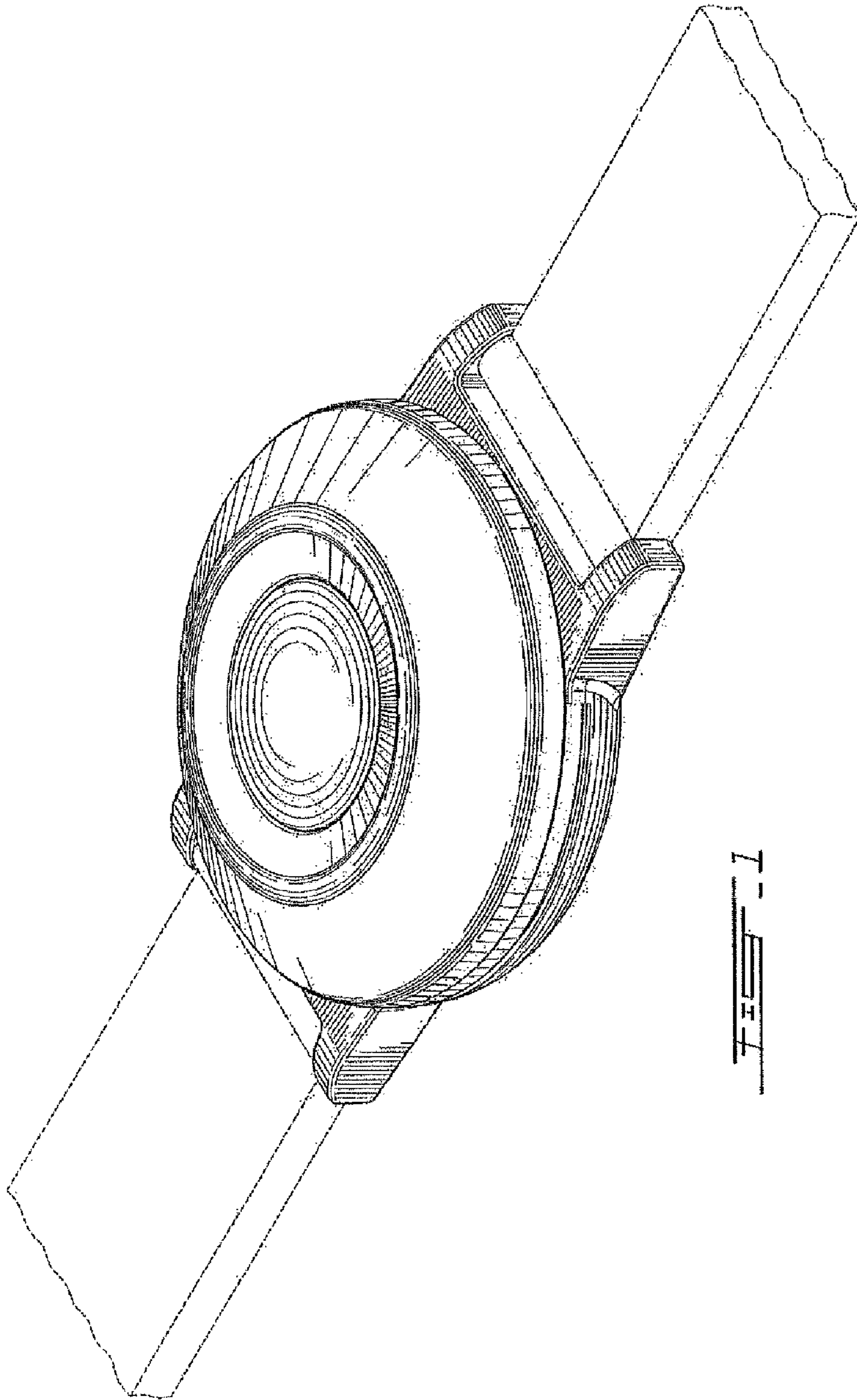


FIG. 1

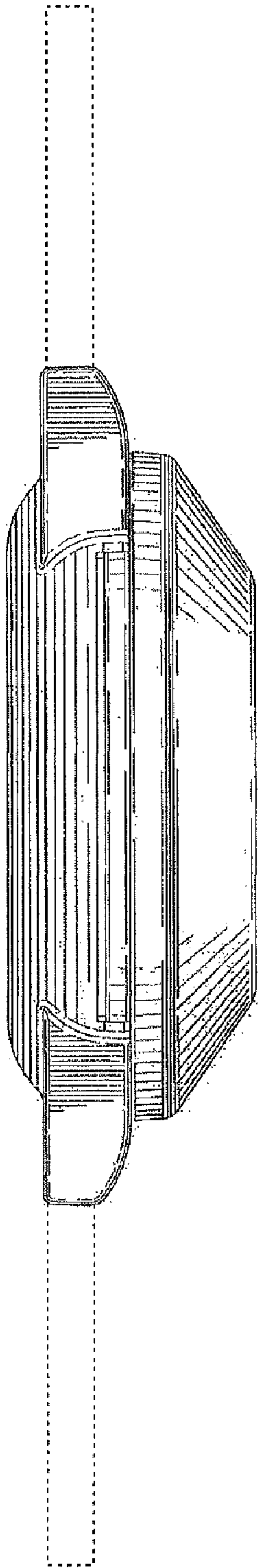


FIG. 2

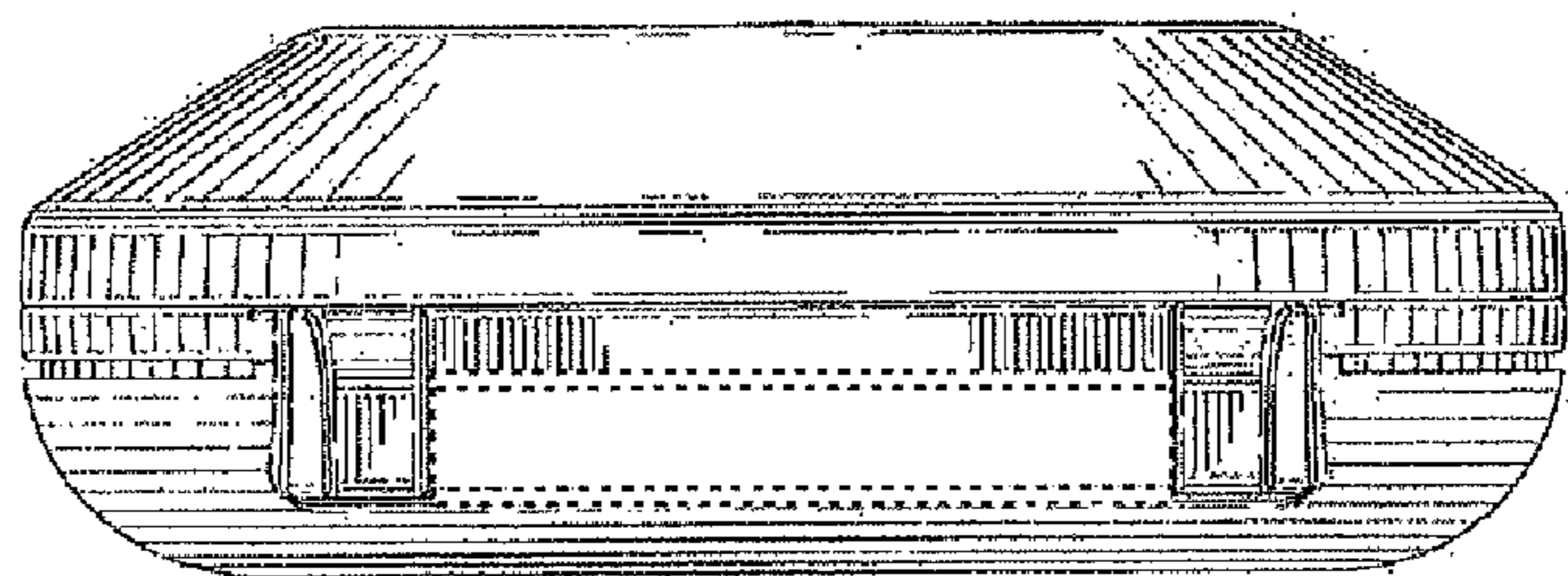


FIG. 3

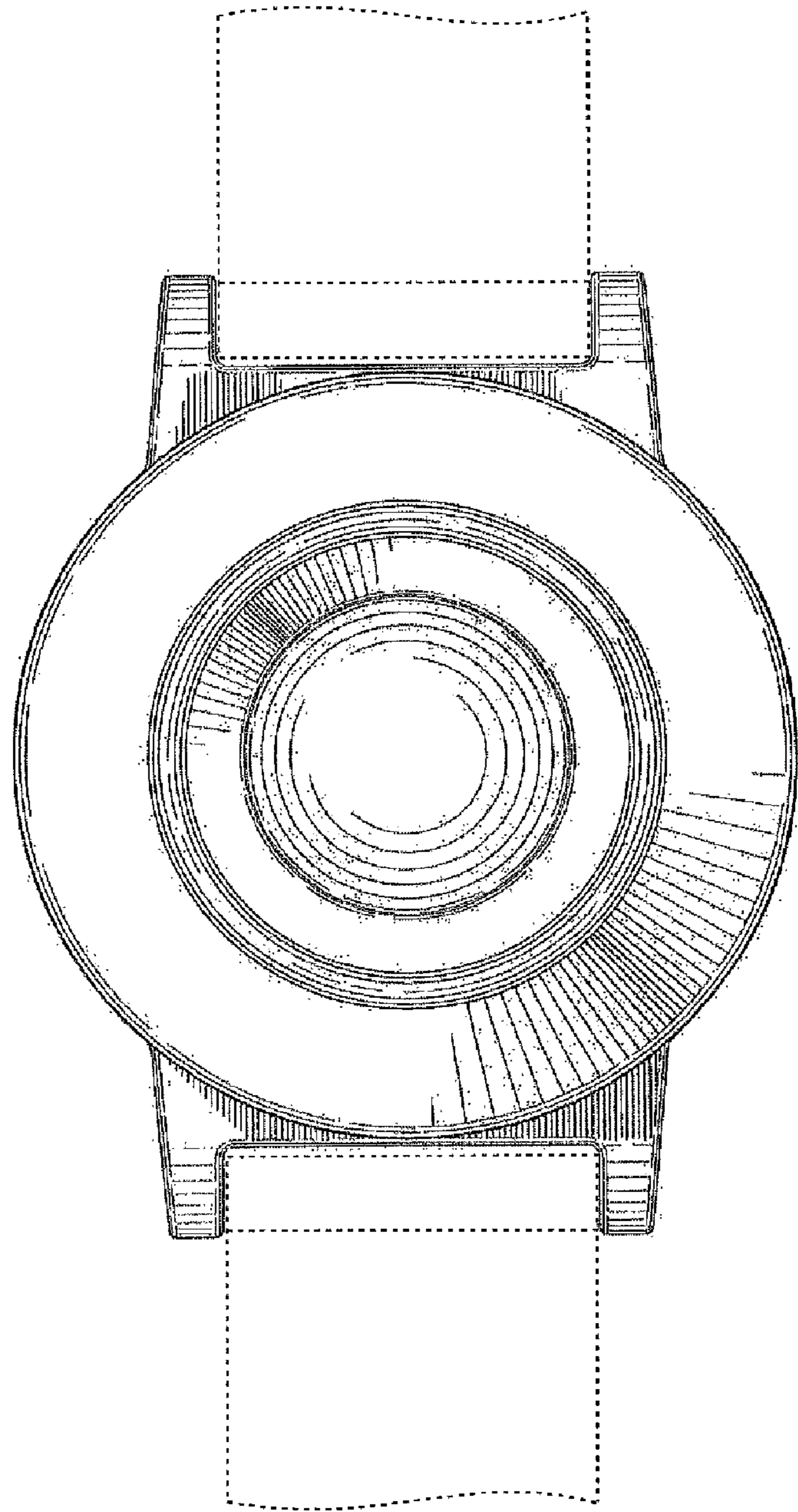


FIG. 4

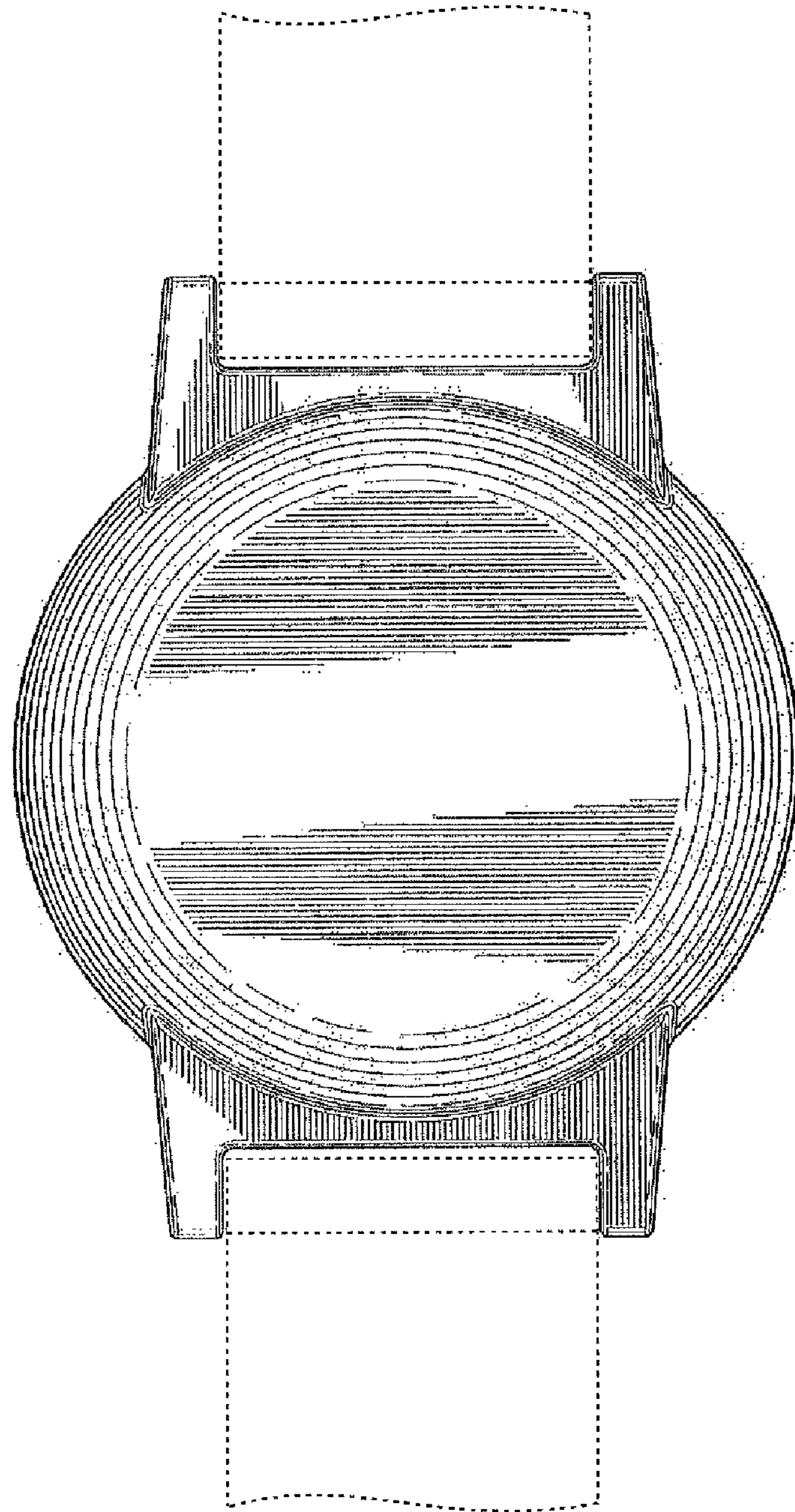


FIG. 5

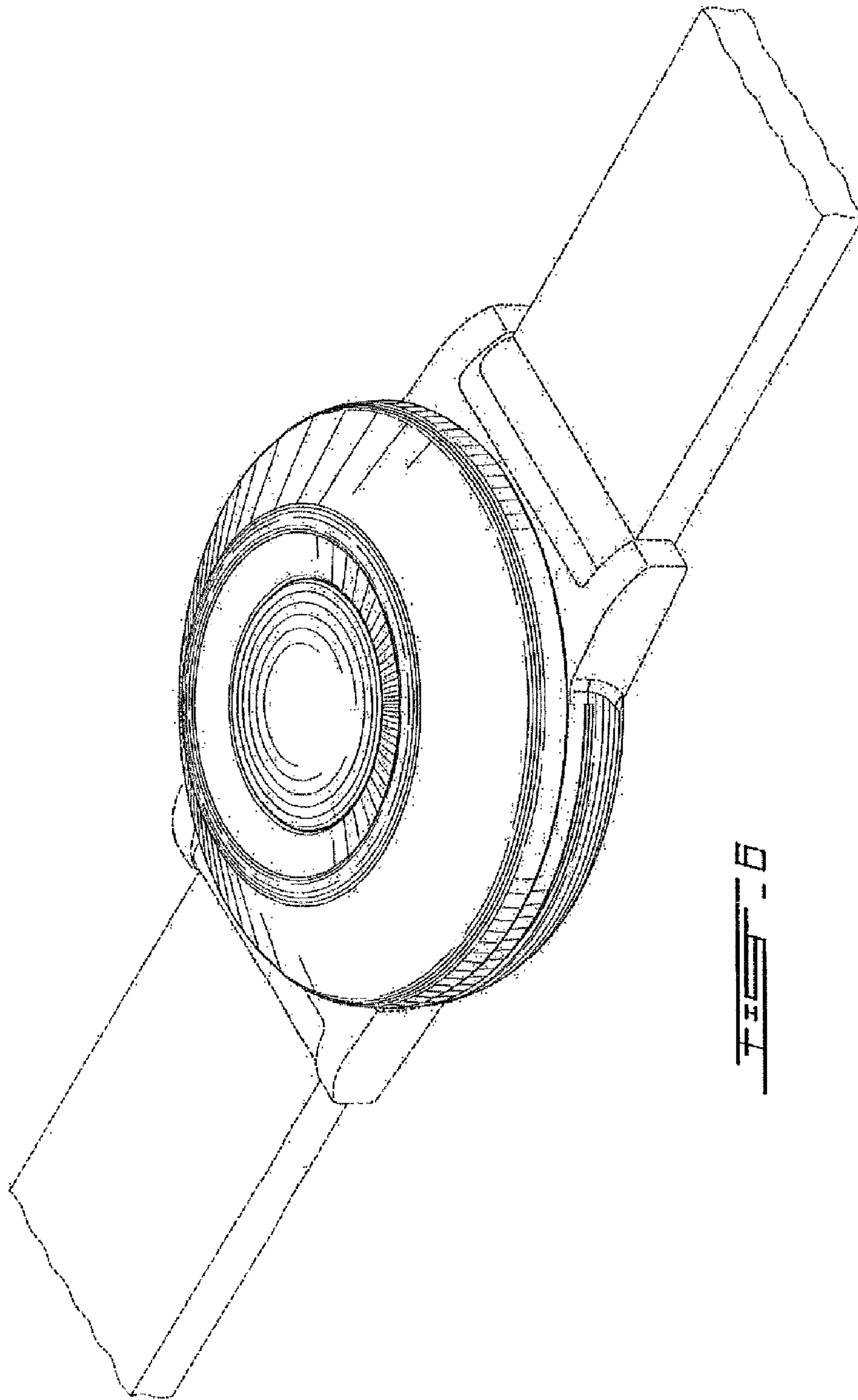


FIG. 5

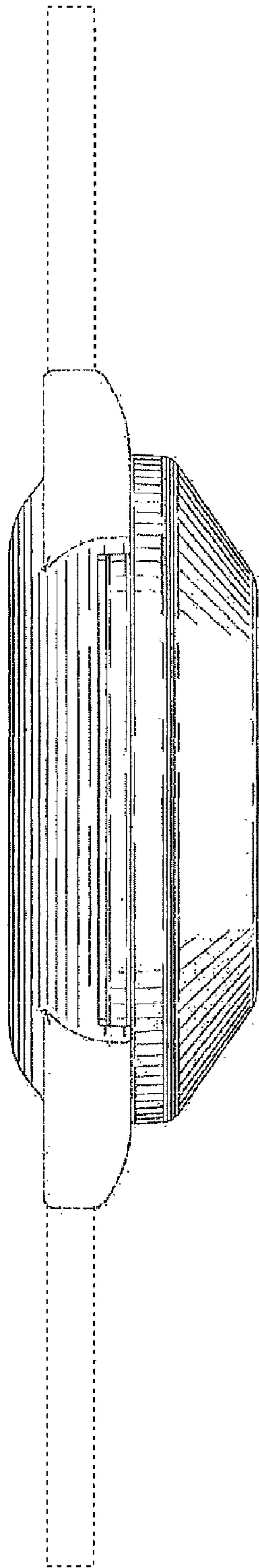


FIG. 7

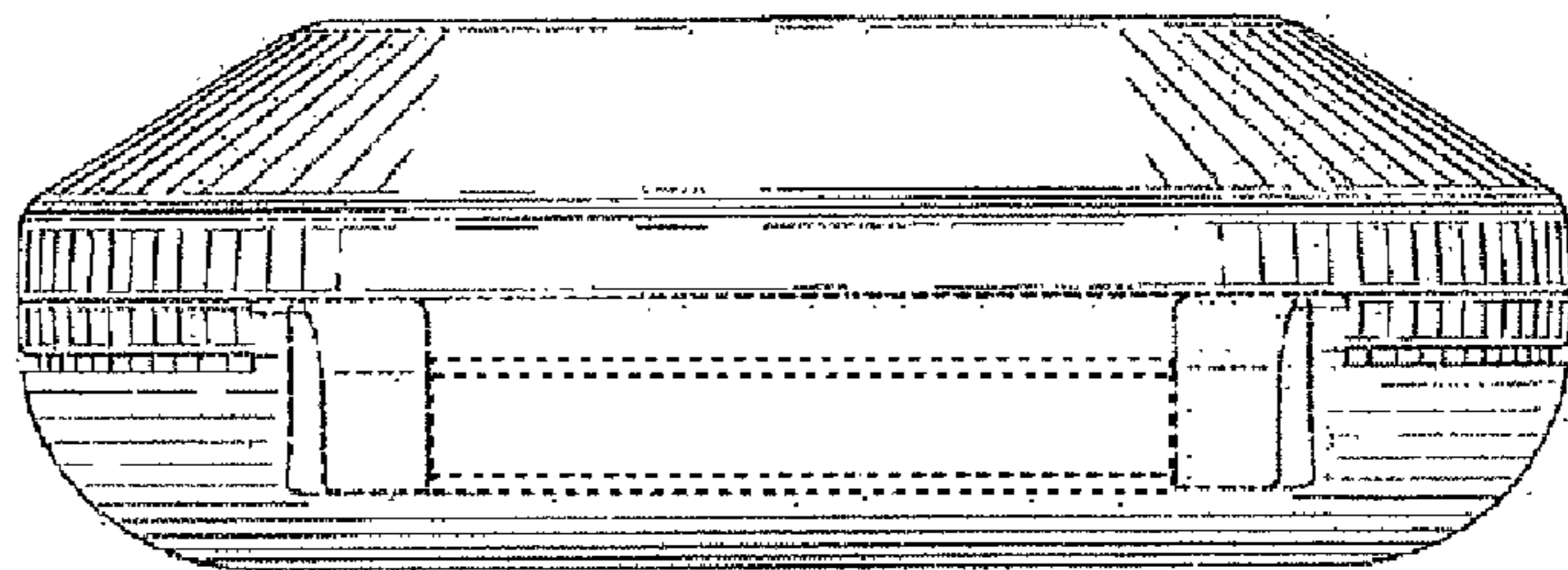
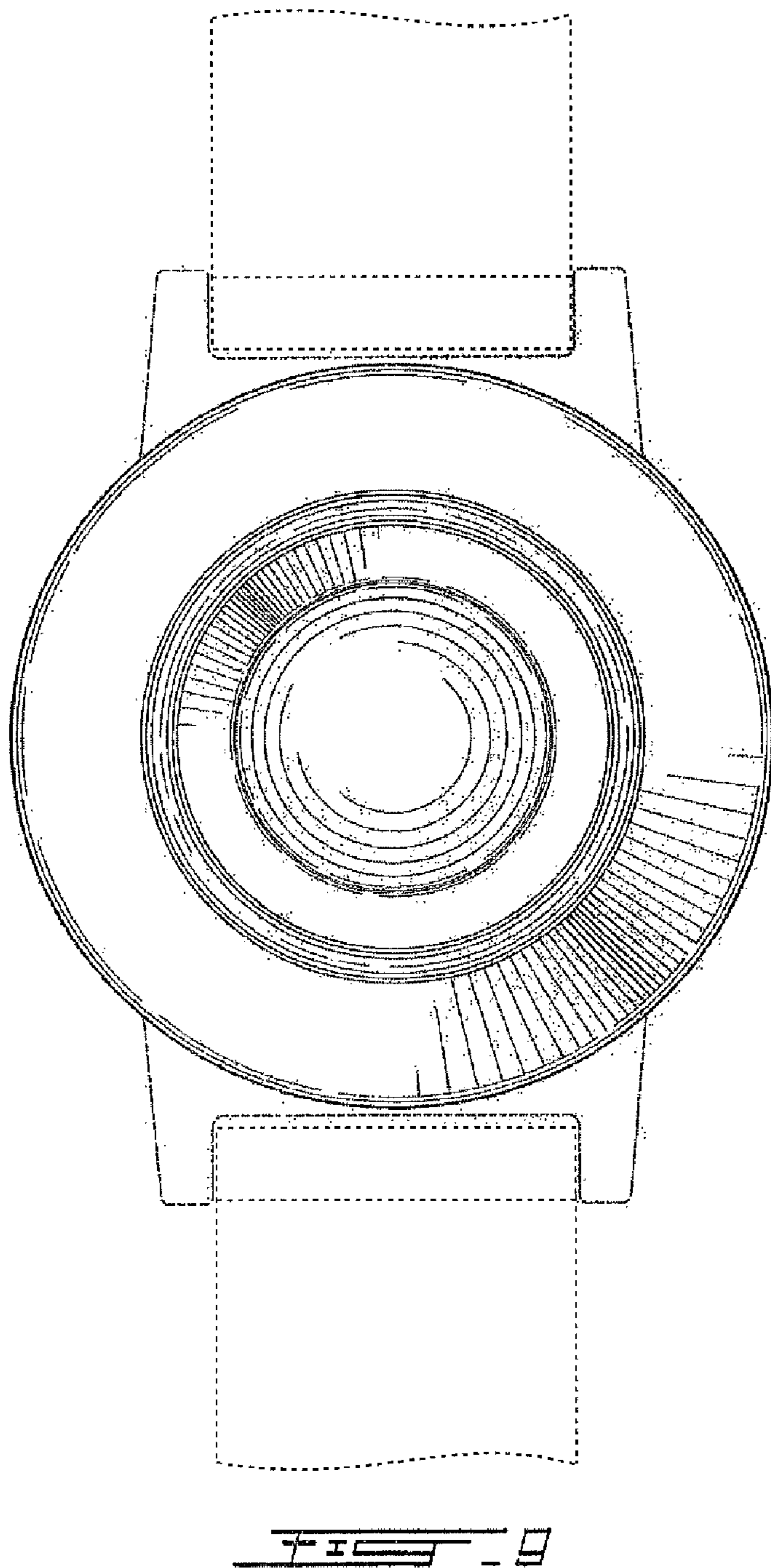


FIG. 8



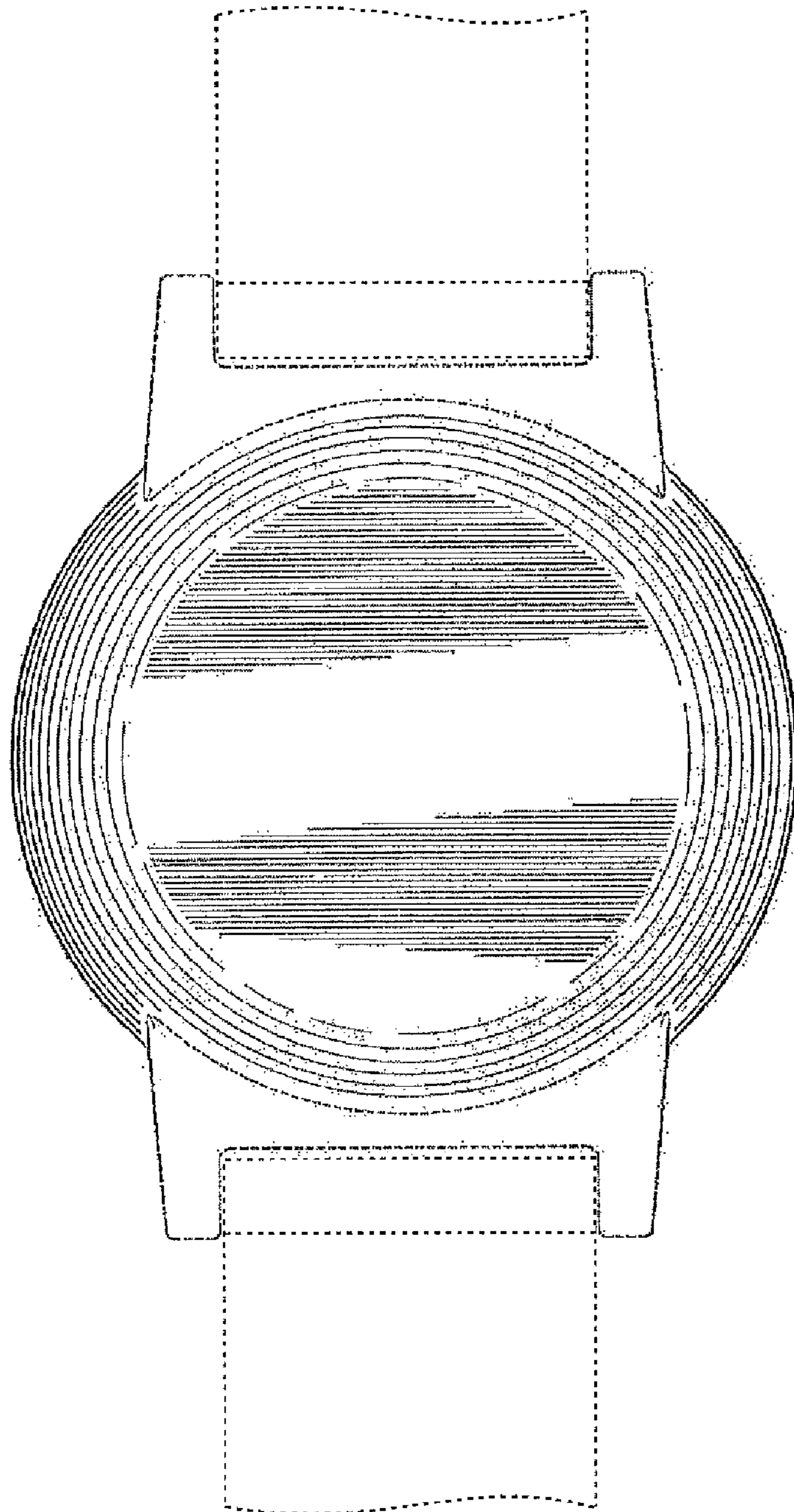


FIG. 10