



US00D679617S

(12) **United States Design Patent**
Ueda et al.

(10) **Patent No.:** **US D679,617 S**
(45) **Date of Patent:** **** Apr. 9, 2013**

(54) **SPEEDOMETER FOR A BICYCLE**

(56) **References Cited**

(75) Inventors: **Takashi Ueda**, Osaka (JP); **Toshiyuki Nagano**, Osaka (JP); **Yoji Okuda**, Osaka (JP)

U.S. PATENT DOCUMENTS

D486,410 S *	2/2004	Ueda	D10/98
D522,394 S *	6/2006	Okuda et al.	D10/98
D645,371 S *	9/2011	Ueda et al.	D10/98
D665,685 S *	8/2012	Okuda	D10/98

(73) Assignee: **CatEye Co., Ltd.**, Osaka-Shi (JP)

FOREIGN PATENT DOCUMENTS

(**) Term: **14 Years**

TW	D116668	5/2007
TW	D121577	3/2008

(21) Appl. No.: **29/395,552**

* cited by examiner

(22) Filed: **Feb. 14, 2012**

Primary Examiner — Antoine D. Davis

(30) **Foreign Application Priority Data**

(74) *Attorney, Agent, or Firm* — Olson & Cepuritis, Ltd.

Aug. 29, 2011 (JP) 2011-019472

(57) **CLAIM**

(51) **LOC (9) Cl.** **10-04**

The ornamental design for a speedometer for a bicycle, as shown.

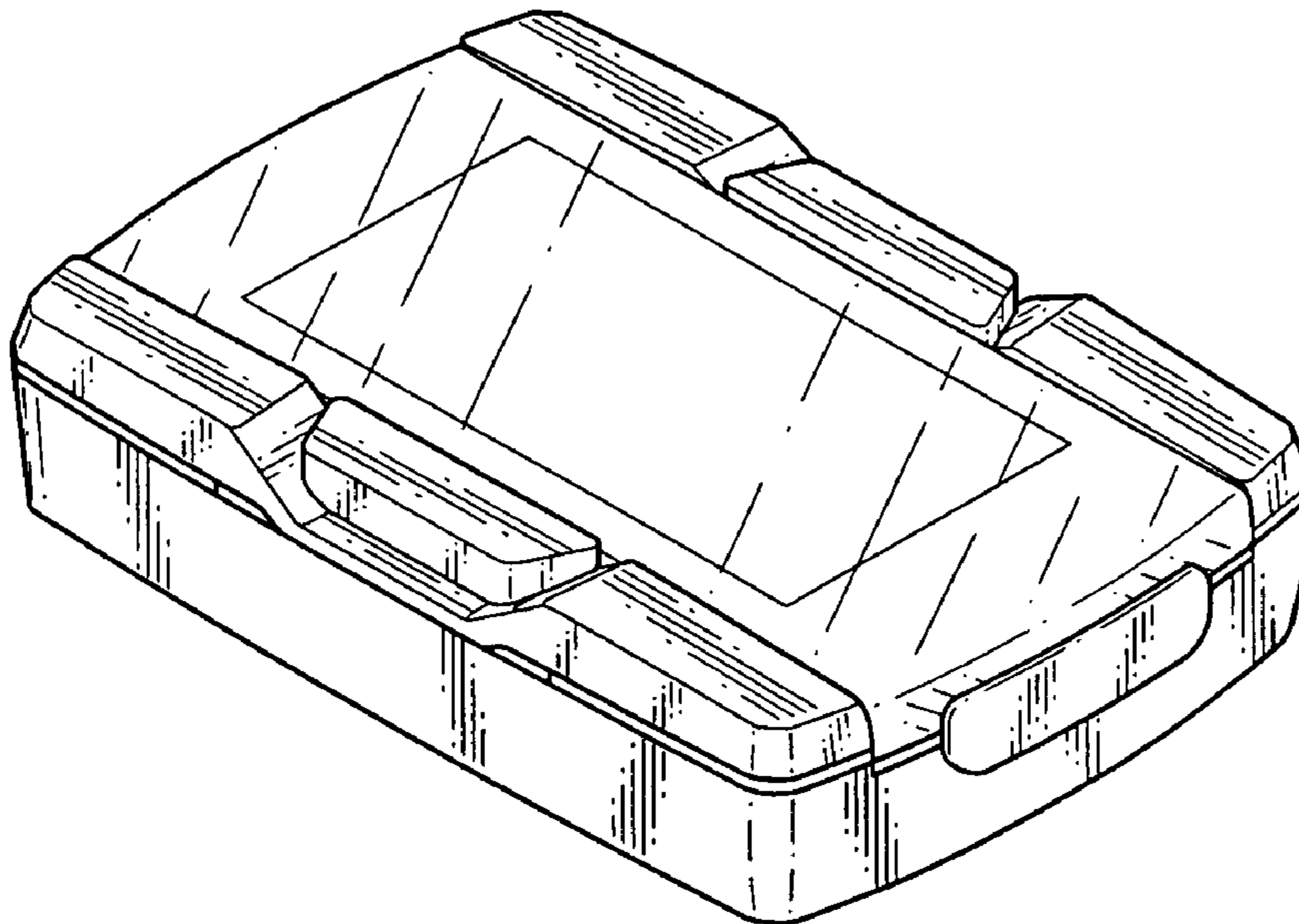
(52) **U.S. Cl.**
USPC **D10/98**

DESCRIPTION

(58) **Field of Classification Search** D10/98;
73/490, 493, 514.39, 527; 235/95 R; 324/160–180,
324/207.13, 207.22, 207.25; 340/432; 702/145–148
See application file for complete search history.

FIG. 1 is a perspective view of a speedometer for a bicycle showing our new design;
FIG. 2 is a front view thereof;
FIG. 3 is a rear view thereof;
FIG. 4 is a top plan view thereof;
FIG. 5 is a bottom plan view thereof;
FIG. 6 is a right side view thereof; and,
FIG. 7 is a left side view thereof.

1 Claim, 5 Drawing Sheets



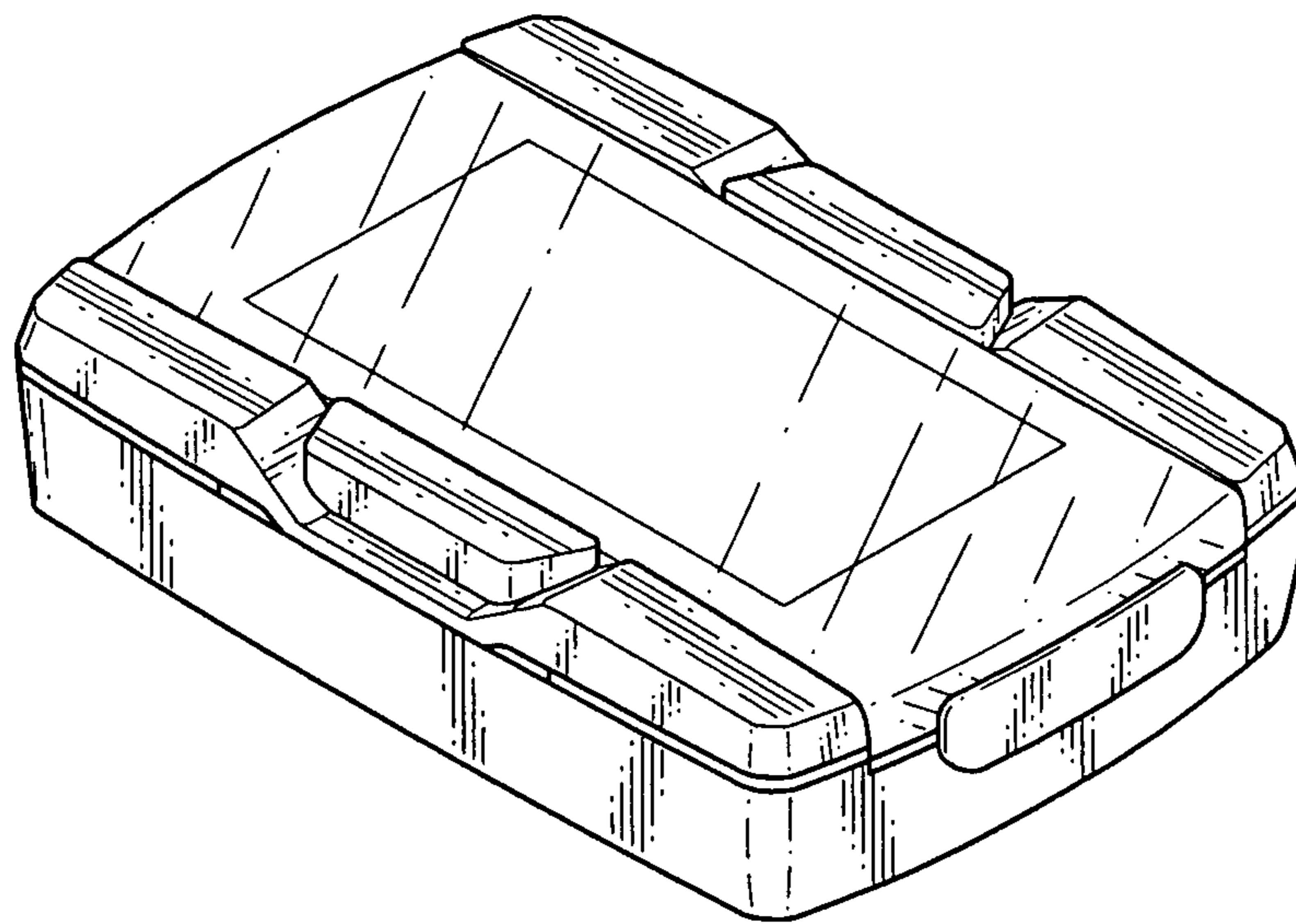


Fig. 1

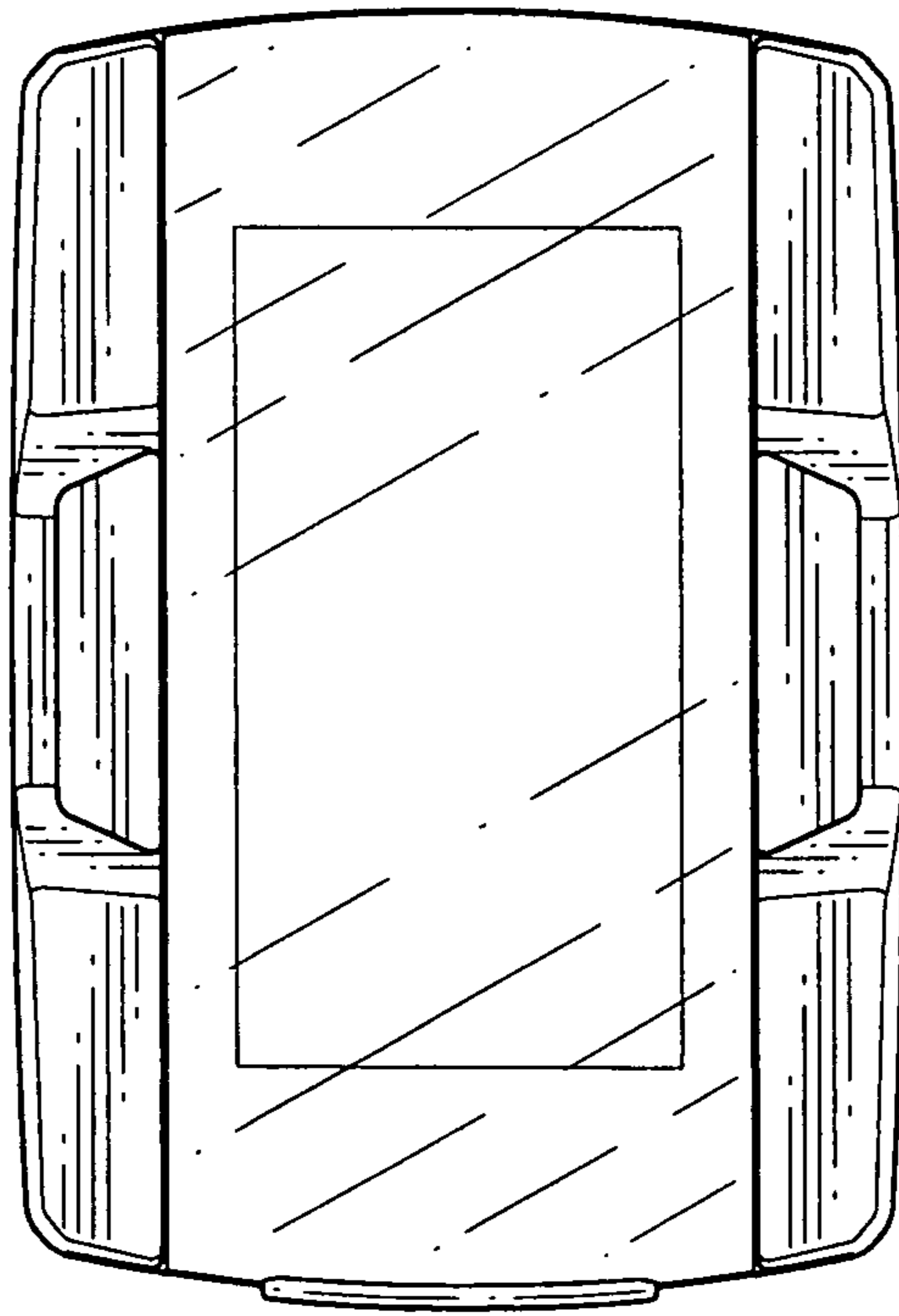


Fig. 2

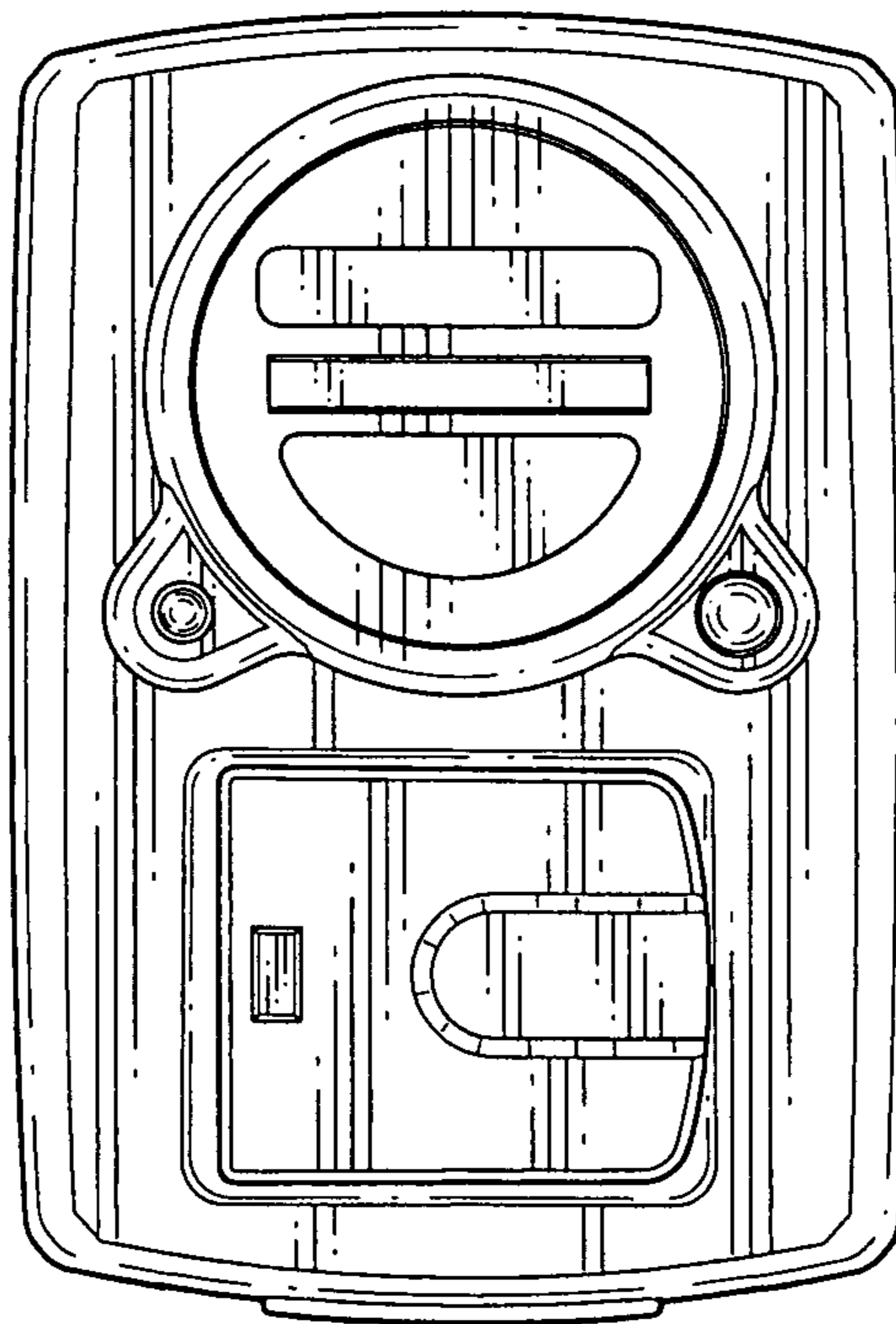


Fig. 3

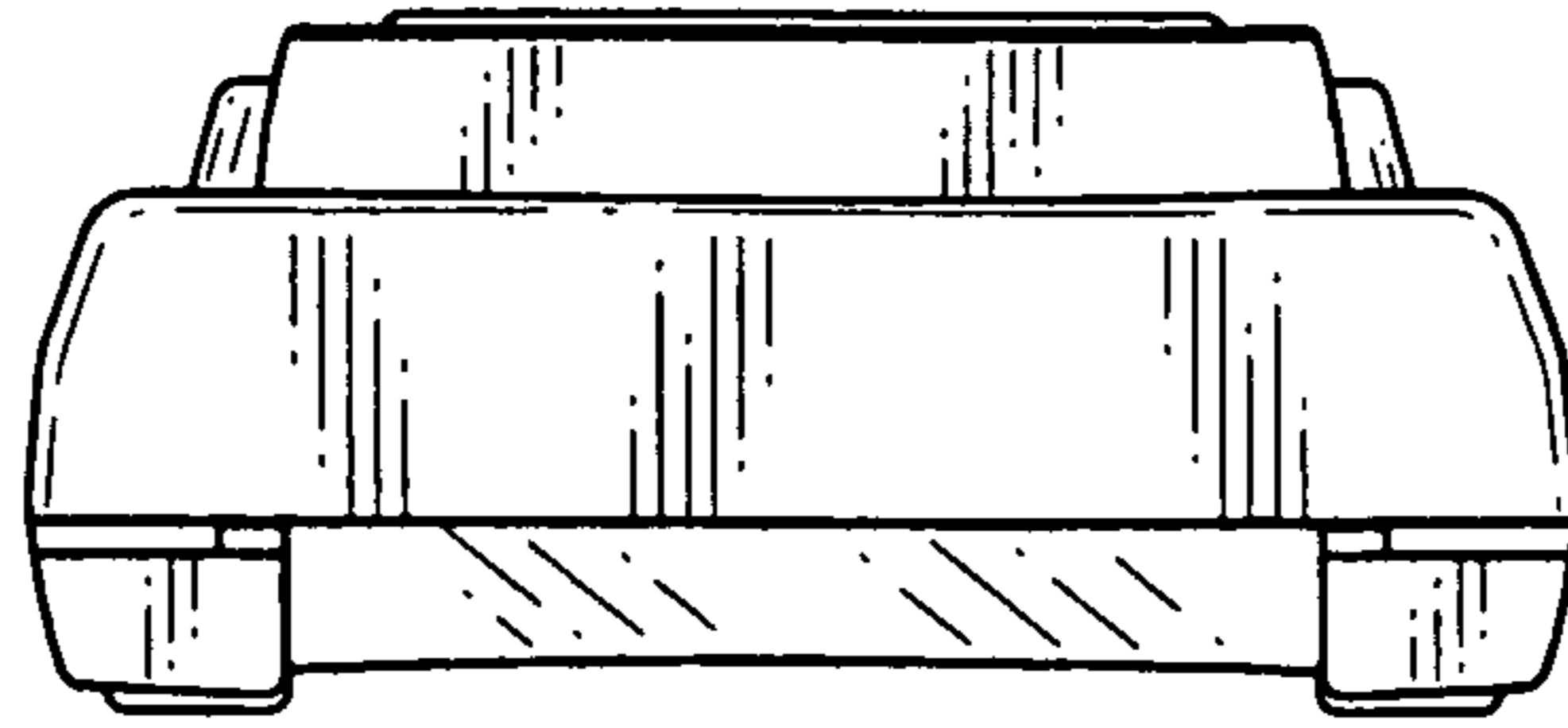


Fig. 4

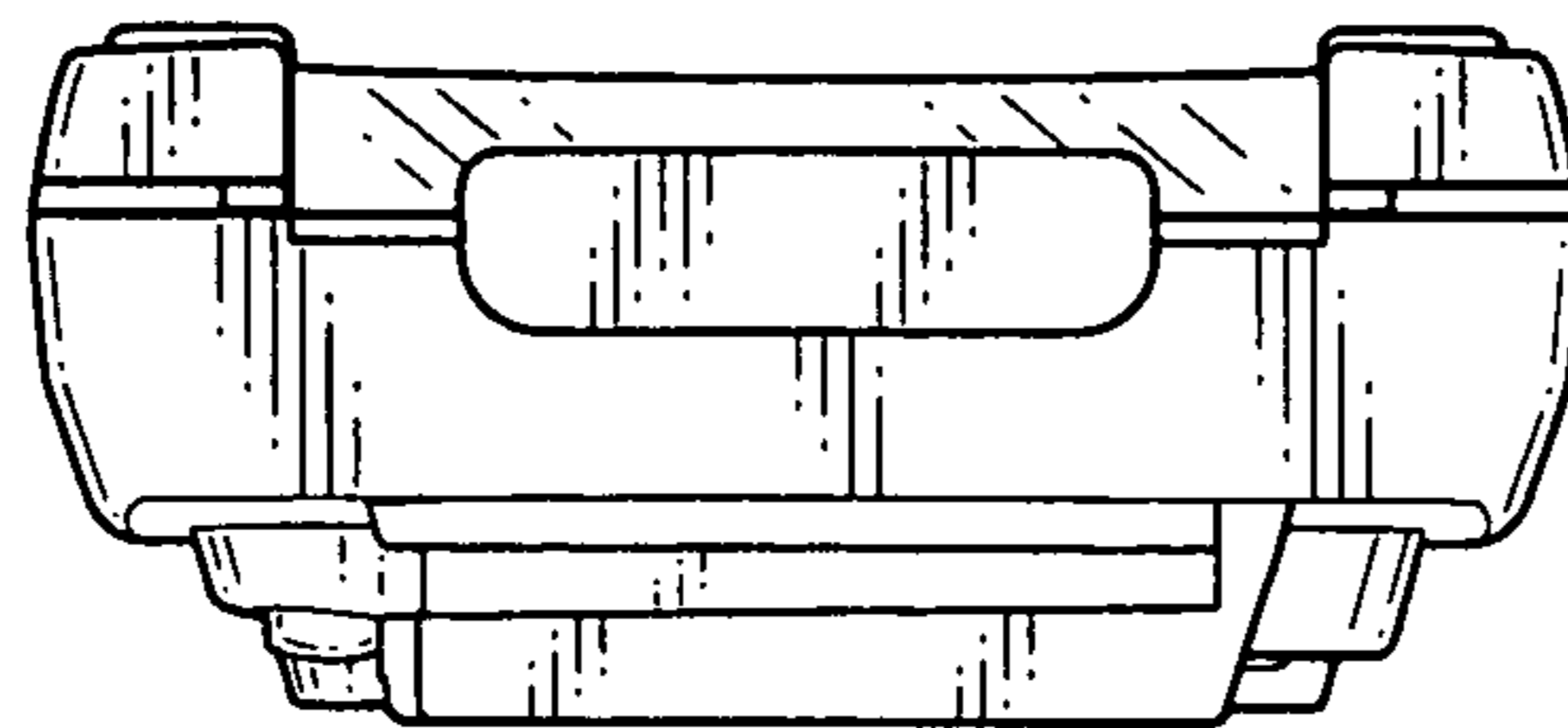


Fig. 5

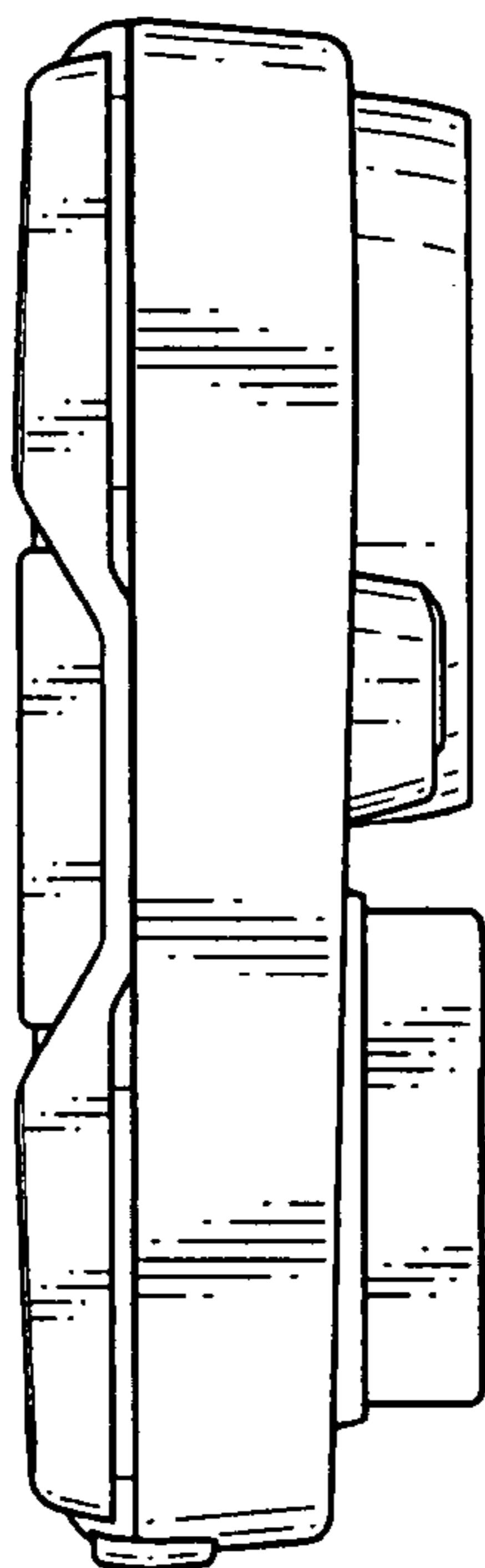


Fig. 6

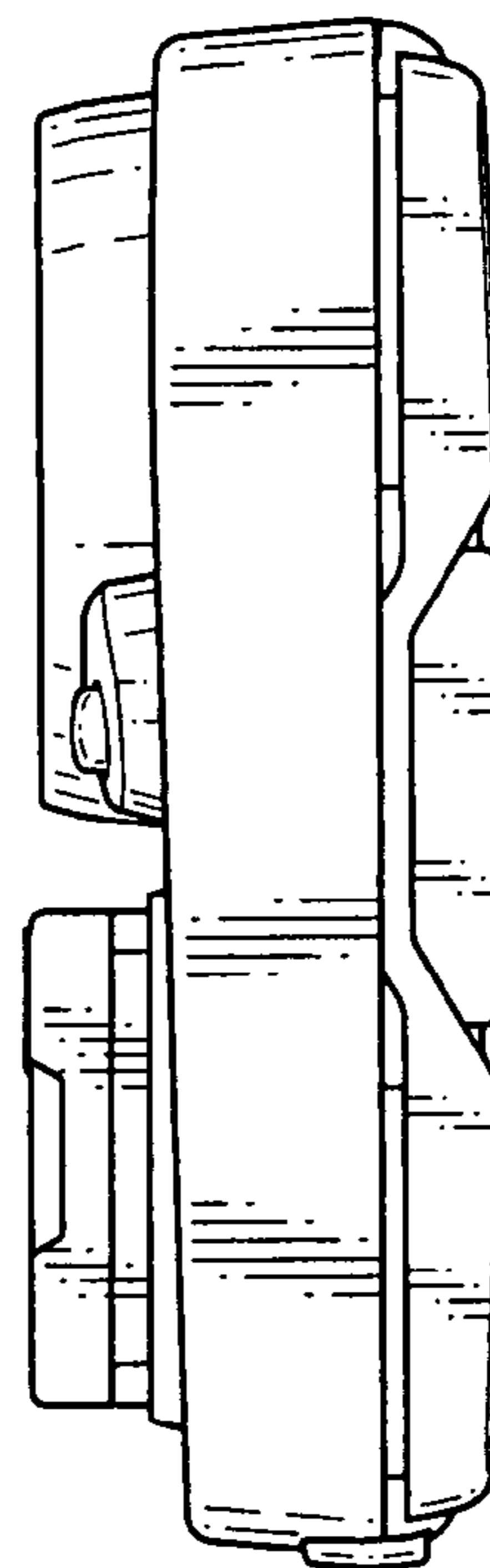


Fig. 7