



US00D679616S

(12) **United States Design Patent**
Sun

(10) **Patent No.:** **US D679,616 S**

(45) **Date of Patent:** **** Apr. 9, 2013**

(54) **DIGITAL INSPECTION CAMERA**

(75) Inventor: **Yingjie Sun**, Shenzhen (CN)

(73) Assignee: **Sun Yingjie**, Shenzhen (CN)

(**) Term: **14 Years**

(21) Appl. No.: **29/391,882**

(22) Filed: **May 13, 2011**

(51) **LOC (9) Cl.** **10-04**

(52) **U.S. Cl.**
USPC **D10/78; D10/104; D10/46**

(58) **Field of Classification Search** D10/46,
D10/78, 104; D16/202, 203, 225, 229; 250/208.1,
250/330, 336.1, 338.1, 339.03, 395; 348/65-68,
348/77, 141, 84, E7.085; 362/1, 109, 294,
362/373, 399; 713/176; 324/329, 67, 326;
73/623, 865.8

See application file for complete search history.

2009/0225159	A1*	9/2009	Schneider et al.	348/82
2010/0033563	A1*	2/2010	Boehnlein et al.	348/84
2011/0090331	A1*	4/2011	Draper	348/82
2011/0273556	A1*	11/2011	Lyons et al.	348/85
2012/0075443	A1*	3/2012	Rovegno	348/65
2012/0075444	A1*	3/2012	Rovegno	348/65
2012/0162401	A1*	6/2012	Melder et al.	348/65
2012/0169857	A1*	7/2012	Sato	348/65
2012/0206591	A1*	8/2012	Selby et al.	348/82
2012/0224047	A1*	9/2012	Schneider et al.	348/82
2012/0236138	A1*	9/2012	Liu	348/84
2012/0249777	A1*	10/2012	Rentmeister	348/125

* cited by examiner

Primary Examiner — Antoine D Davis

(74) *Attorney, Agent, or Firm* — Laurence A. Greenberg;
Werner H. Stemer; Ralph E. Locher

(57) **CLAIM**

The ornamental design for a digital inspection camera, as shown and described.

(56) **References Cited**

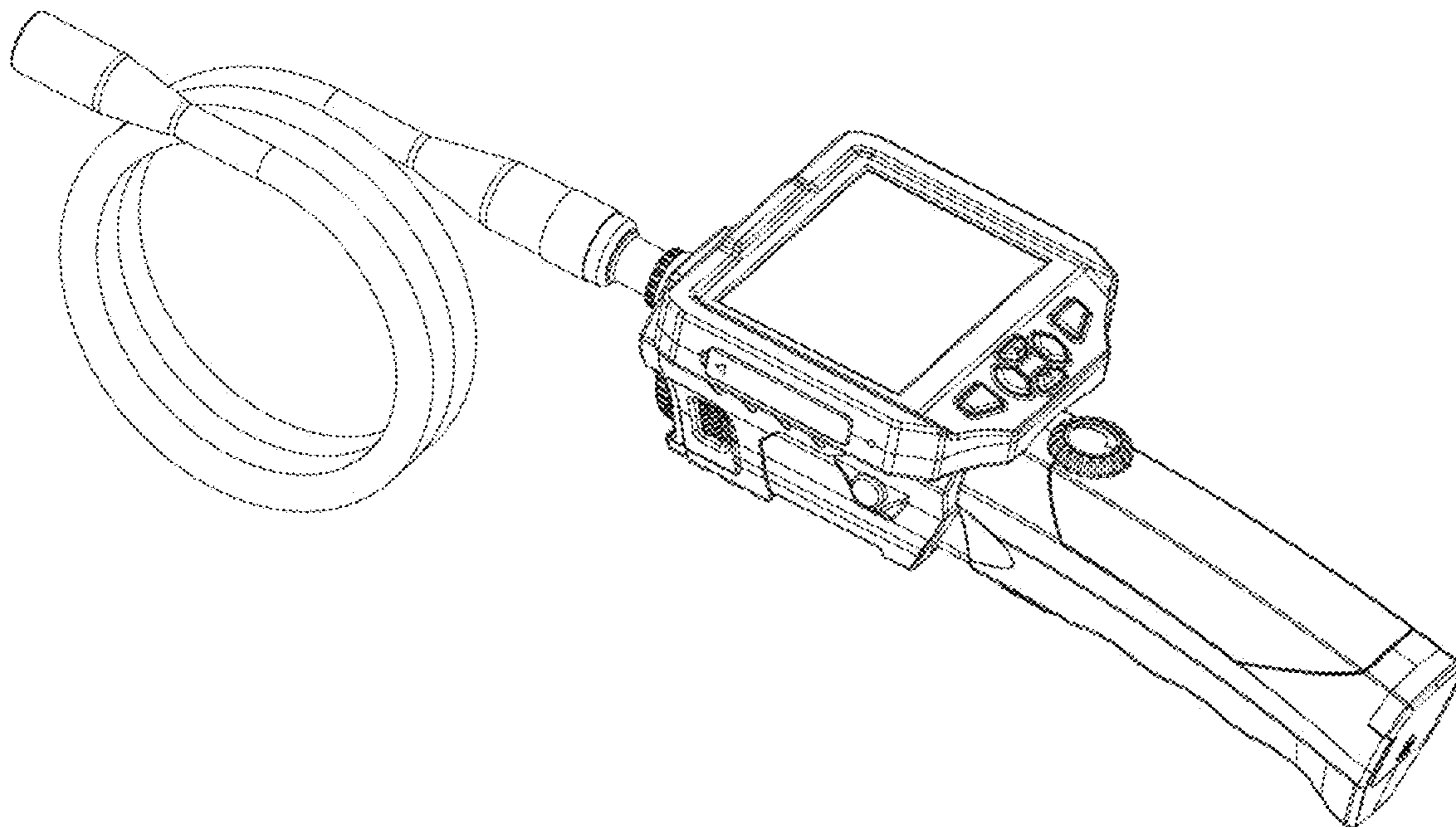
U.S. PATENT DOCUMENTS

D510,044	S	*	9/2005	Ribeiro et al.	D10/78
D518,394	S	*	4/2006	Lipscomb et al.	D10/78
D570,716	S	*	6/2008	Gerold	D10/78
D573,042	S	*	7/2008	Gatz et al.	D10/46
D578,906	S	*	10/2008	Gatz et al.	D10/46
D579,361	S	*	10/2008	Wen	D10/78
D596,969	S	*	7/2009	Igelmund	D10/78
D606,432	S	*	12/2009	Winterhalter et al.	D10/78
D606,433	S	*	12/2009	Whitcomb et al.	D10/78
2009/0109283	A1	*	4/2009	Scott et al.	348/65

DESCRIPTION

FIG. 1 is a front elevation view of the digital inspection camera, showing my new design;
FIG. 2 is a rear elevation view thereof;
FIG. 3 is a right side, elevation view thereof;
FIG. 4 is a left side, elevation view thereof; and
FIG. 5 is a top plan view thereof;
FIG. 6 is a bottom plan view thereof; and
FIG. 7 is a left side, perspective view thereof.

1 Claim, 7 Drawing Sheets



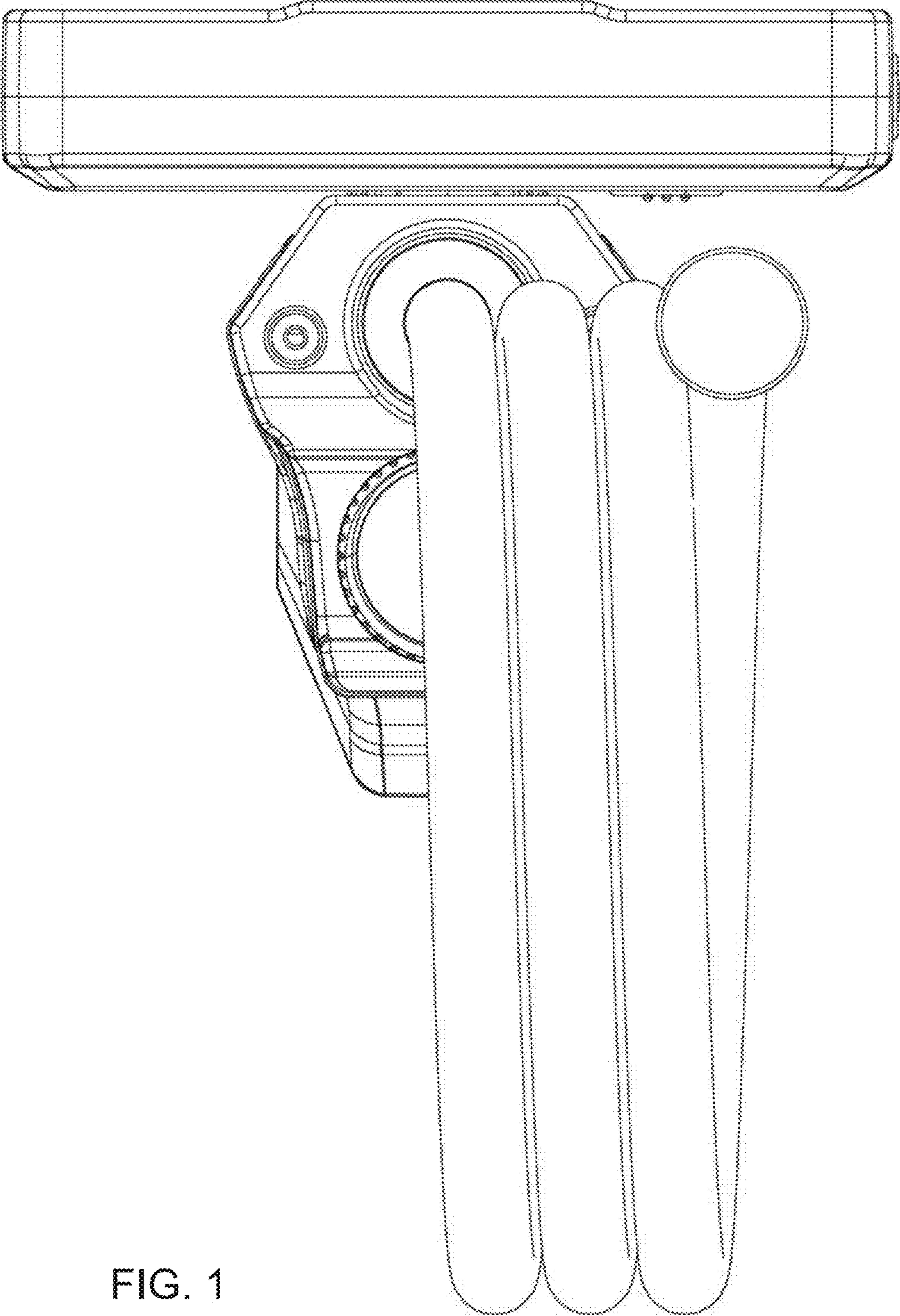


FIG. 1

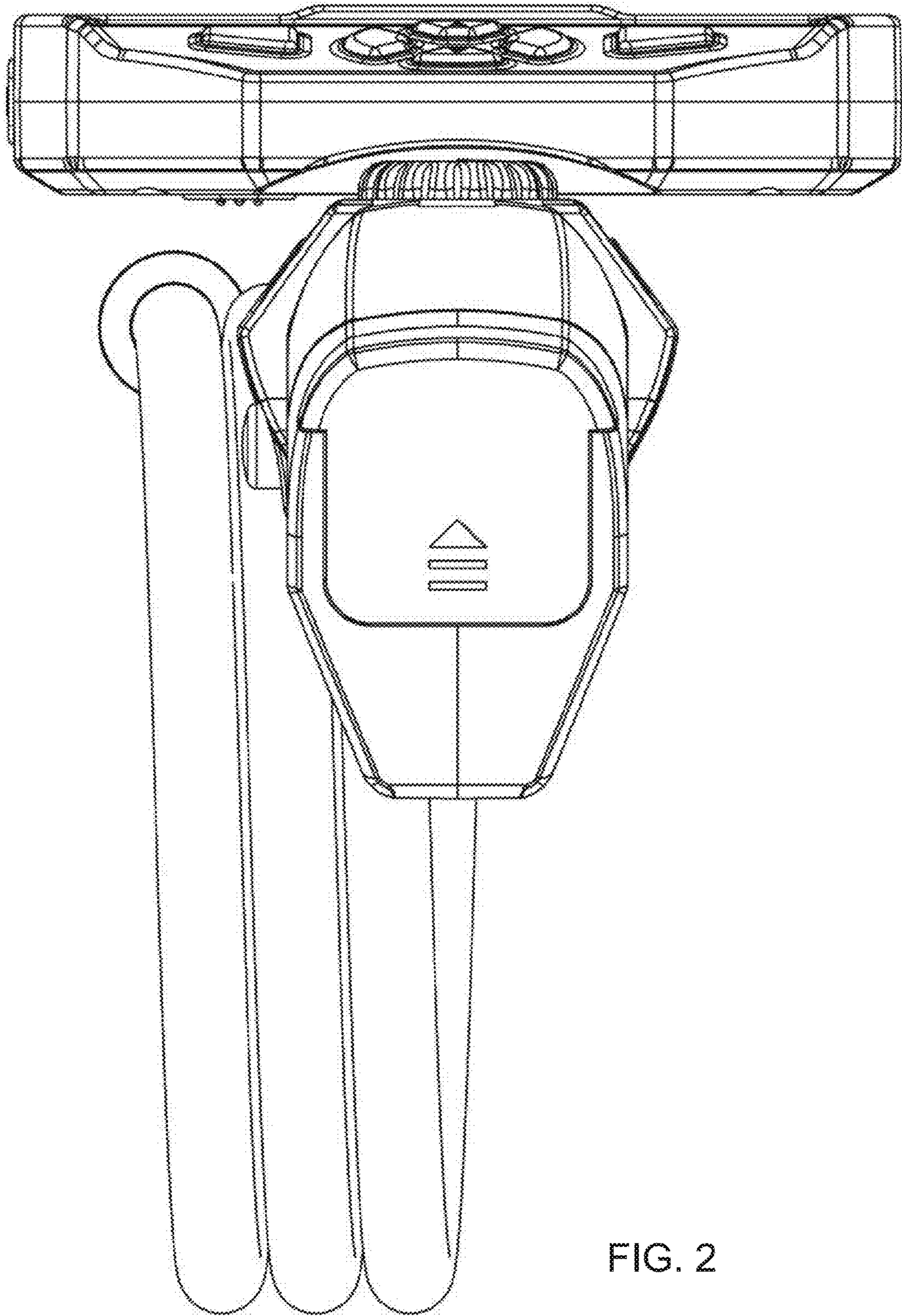


FIG. 2

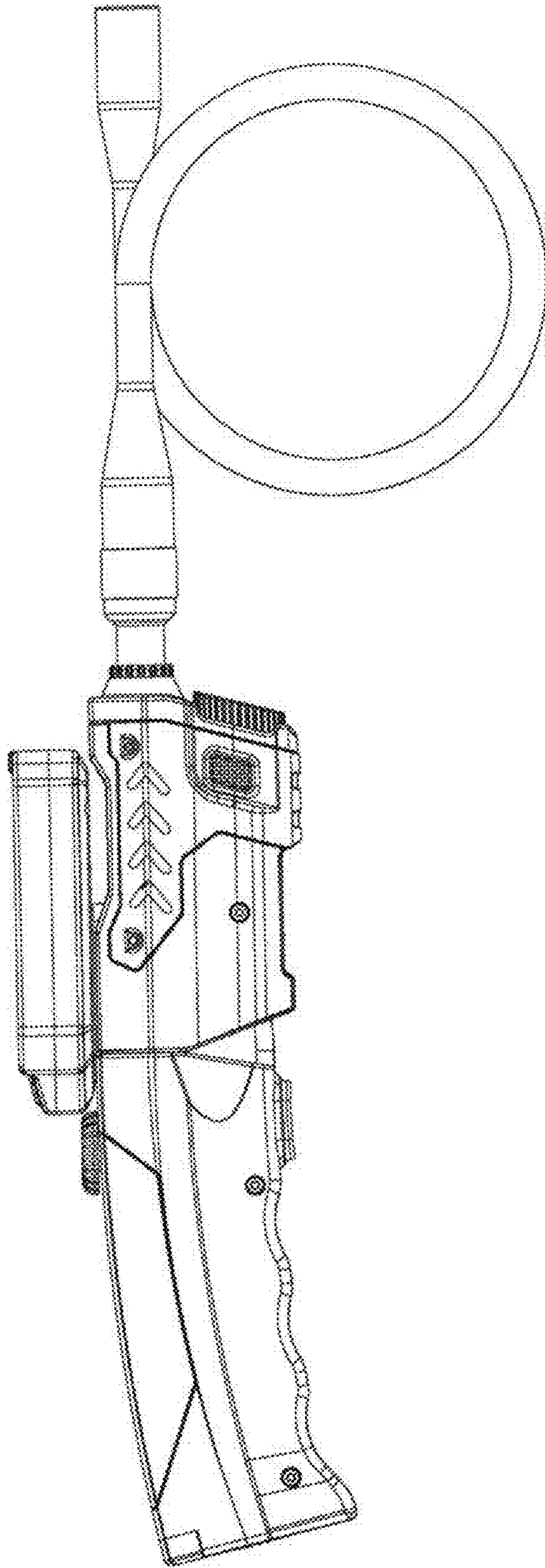


FIG. 3

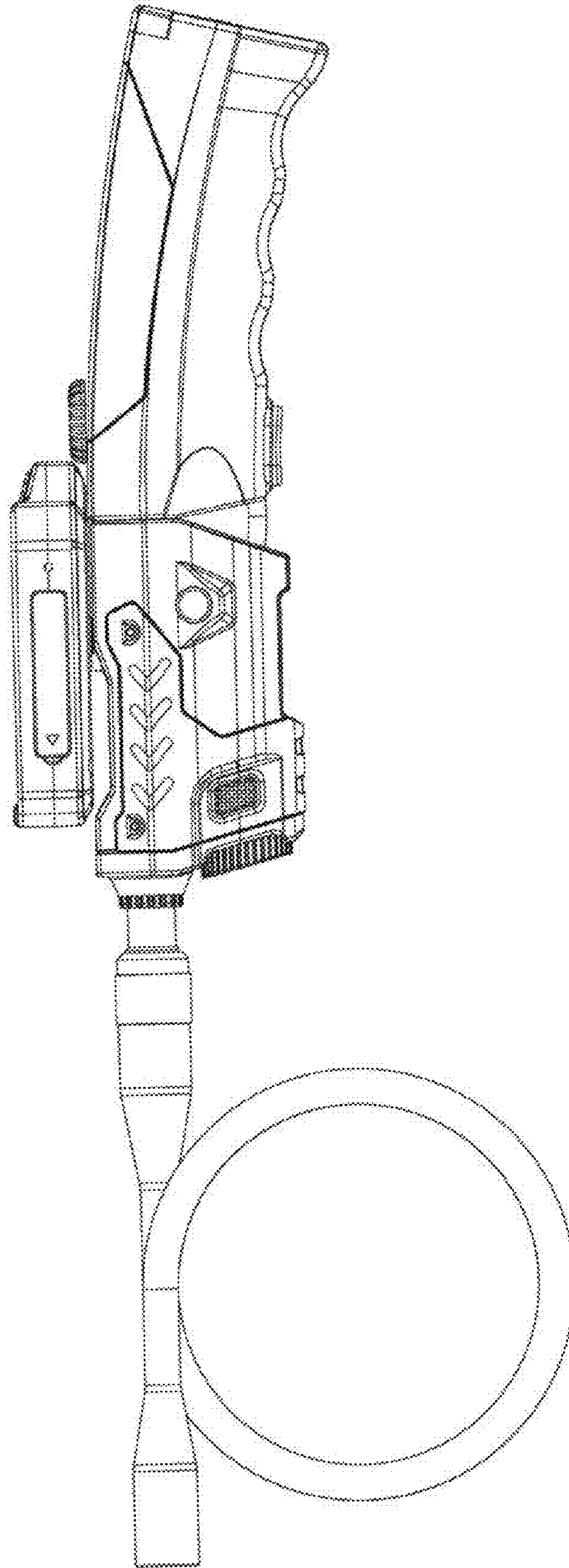


FIG. 4

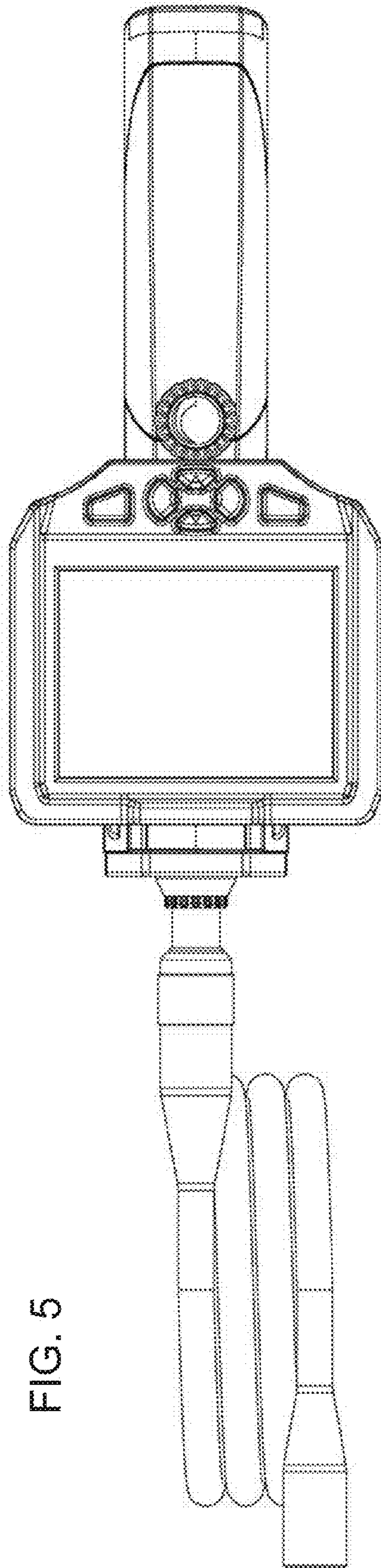


FIG. 5

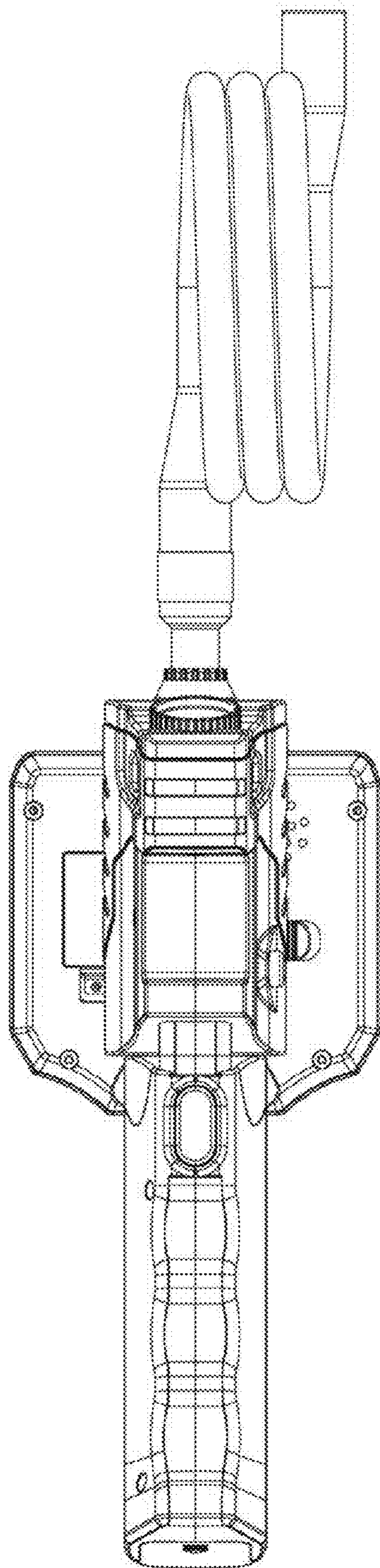


FIG. 6

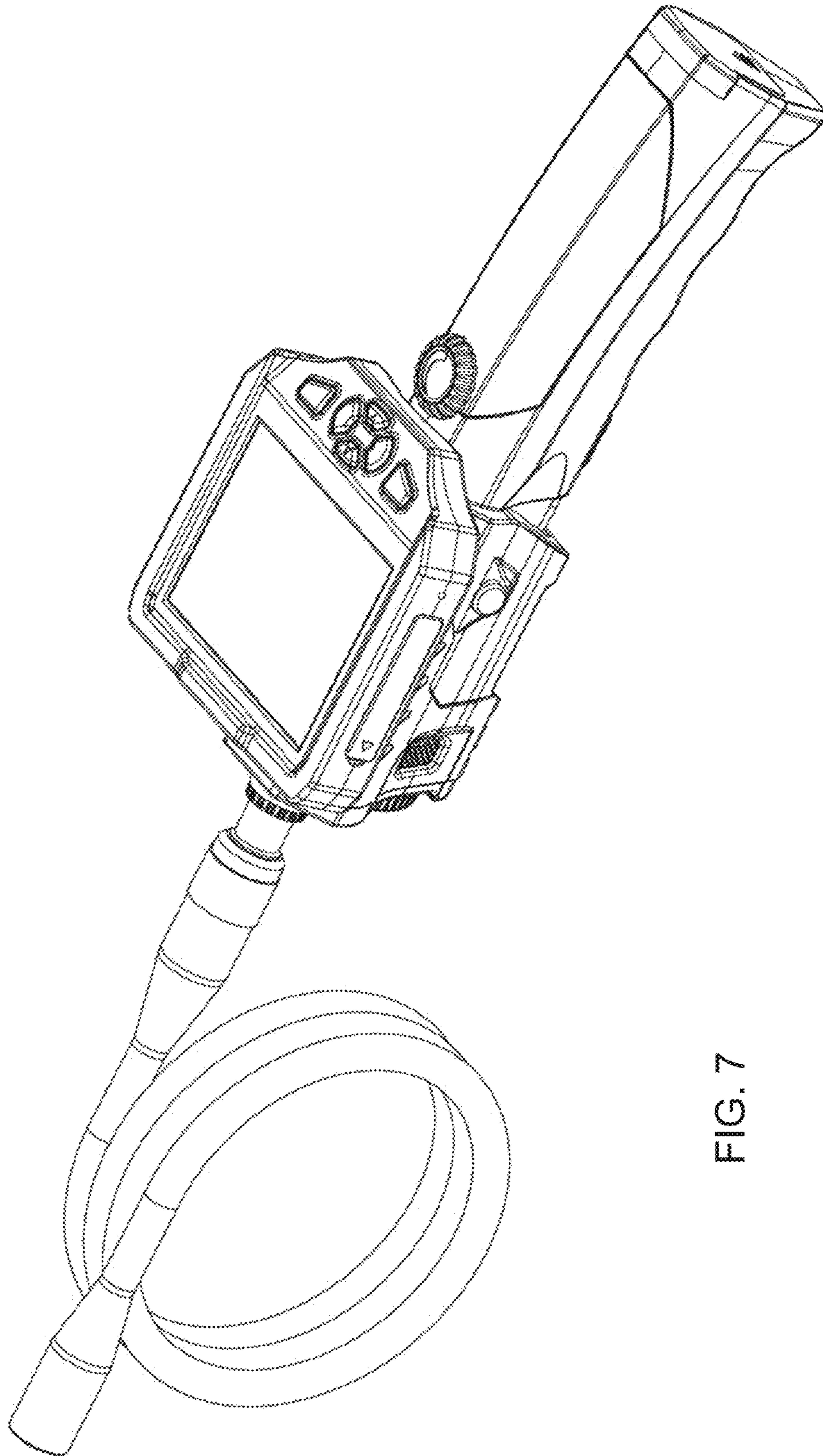


FIG. 7