



US00D679614S

(12) **United States Design Patent**
Denman et al.

(10) **Patent No.:** **US D679,614 S**

(45) **Date of Patent:** **** Apr. 9, 2013**

(54) **GYROSCOPE HOUSING**

(74) *Attorney, Agent, or Firm* — Steven M. McHugh

(75) Inventors: **Ronald Denman**, Higganum, CT (US);
Peter Papathanasiou, Uncasville, CT
(US)

(57) **CLAIM**
The ornamental design for a gyroscope housing, as shown.

(73) Assignee: **Kenyon Laboratories, LLC**, Higganum,
CT (US)

DESCRIPTION

(**) Term: **14 Years**

FIG. 1 is an isometric left-front side view of a gyroscope housing, in accordance with one embodiment of the present invention.

(21) Appl. No.: **29/422,425**

FIG. 2 is an front view of the gyroscope housing of FIG. 1.

(22) Filed: **May 21, 2012**

FIG. 3 is a rear view of the gyroscope housing of FIG. 1.

(51) **LOC (9) Cl.** **10-04**

FIG. 4 is a left side view of the gyroscope housing of FIG. 1.

(52) **U.S. Cl.** **D10/66**

FIG. 5 is a right side view of the gyroscope housing of FIG. 1.

(58) **Field of Classification Search** D10/66;

FIG. 6 is a top down view of the gyroscope housing of FIG. 1.

33/276, 277, 281, 285, 286, 290-299, DIG. 21;

FIG. 7 is a bottom up view of the gyroscope housing of FIG. 1.

356/3, 3.01-3.16, 8, 9, 51, 345, 467; 29/121.63,

FIG. 8 is an isometric left-front side view of a gyroscope housing, in accordance with another embodiment of the present invention.

29/428, 469

FIG. 9 is a front view of the gyroscope housing of FIG. 8.

See application file for complete search history.

FIG. 10 is a rear view of the gyroscope housing of FIG. 8.

(56) **References Cited**

FIG. 11 is a left side view of the gyroscope housing of FIG. 8.

U.S. PATENT DOCUMENTS

FIG. 12 is a right side view of the gyroscope housing of FIG. 8.

4,801,206 A * 1/1989 Benoist 356/459

FIG. 13 is a top down view of the gyroscope housing of FIG. 8;

D317,132 S * 5/1991 Knipfer et al. D10/66

FIG. 14 is a bottom up view of the gyroscope housing of FIG. 8.

5,786,895 A * 7/1998 Mitchell et al. 356/467

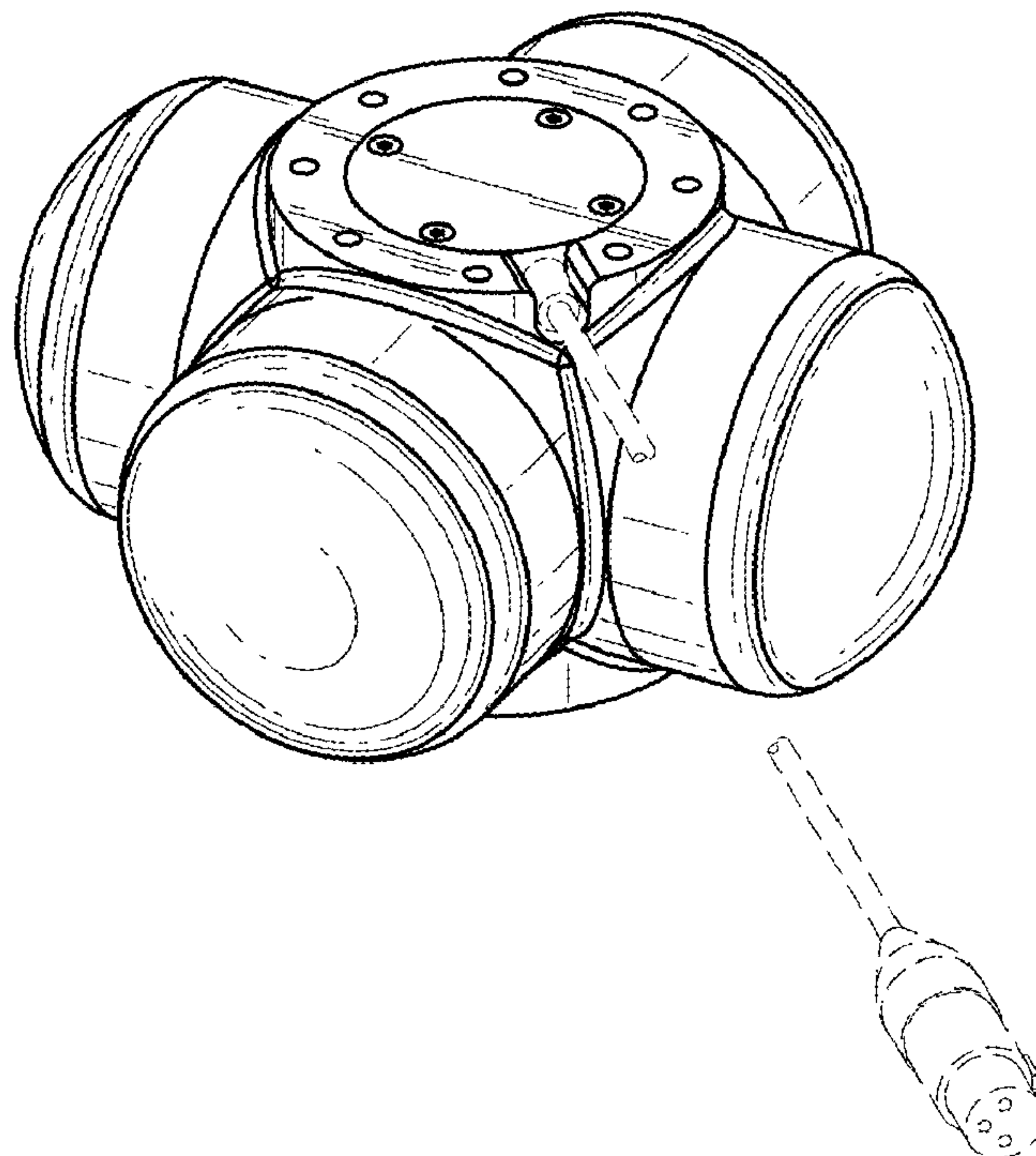
The portions shown in broken lines are for illustrative purposes only and form no part of the claimed design.

6,931,711 B2 * 8/2005 Ecklund et al. 29/469

* cited by examiner

Primary Examiner — Antoine D Davis

1 Claim, 7 Drawing Sheets



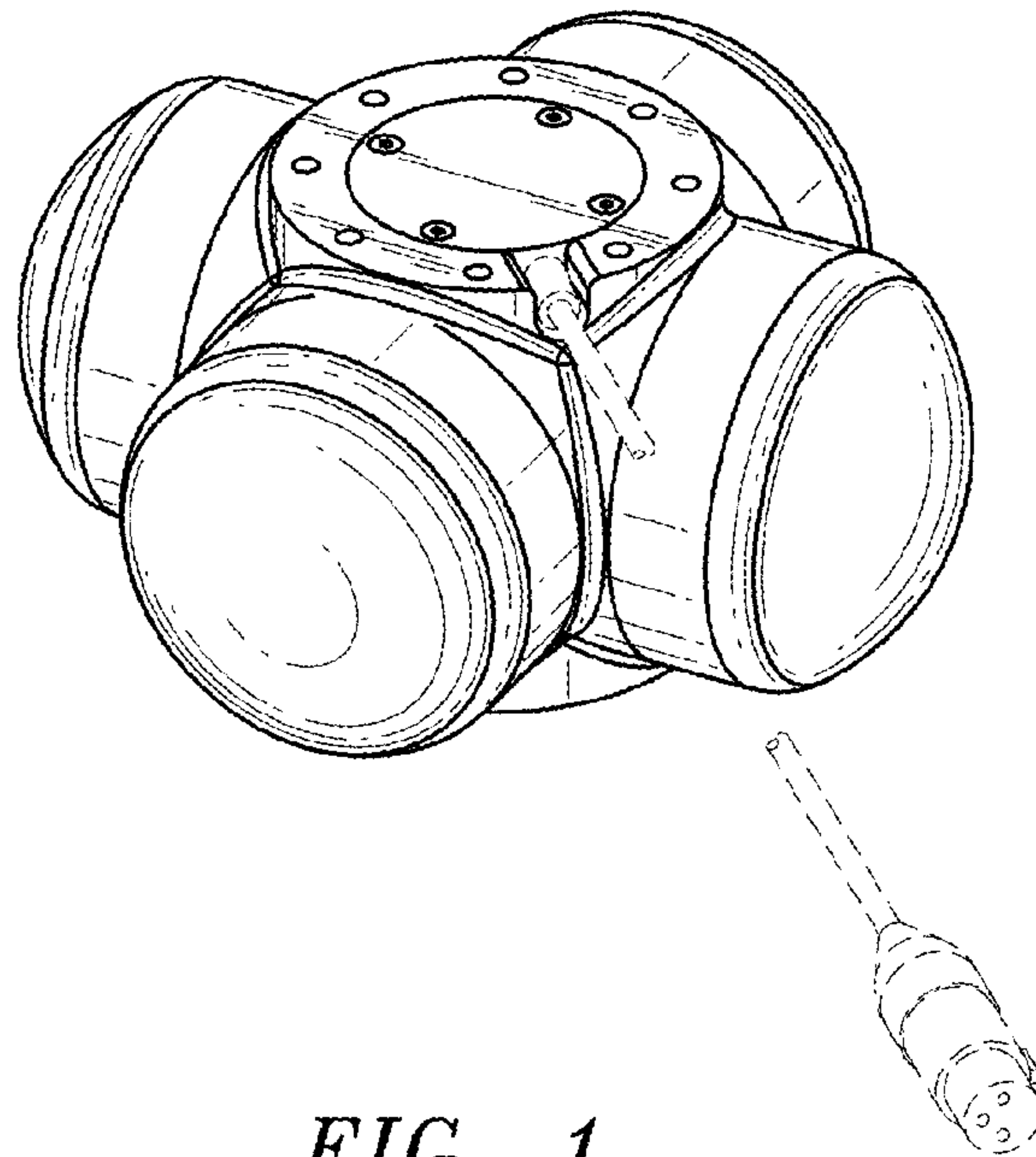


FIG. 1

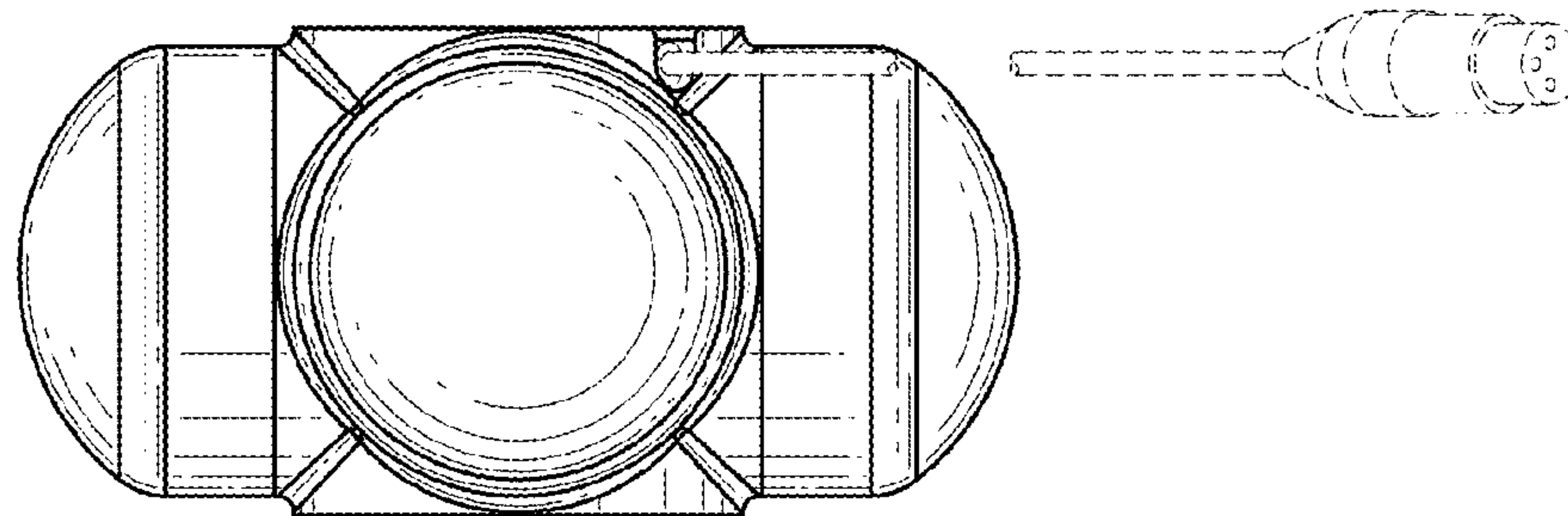


FIG. 2

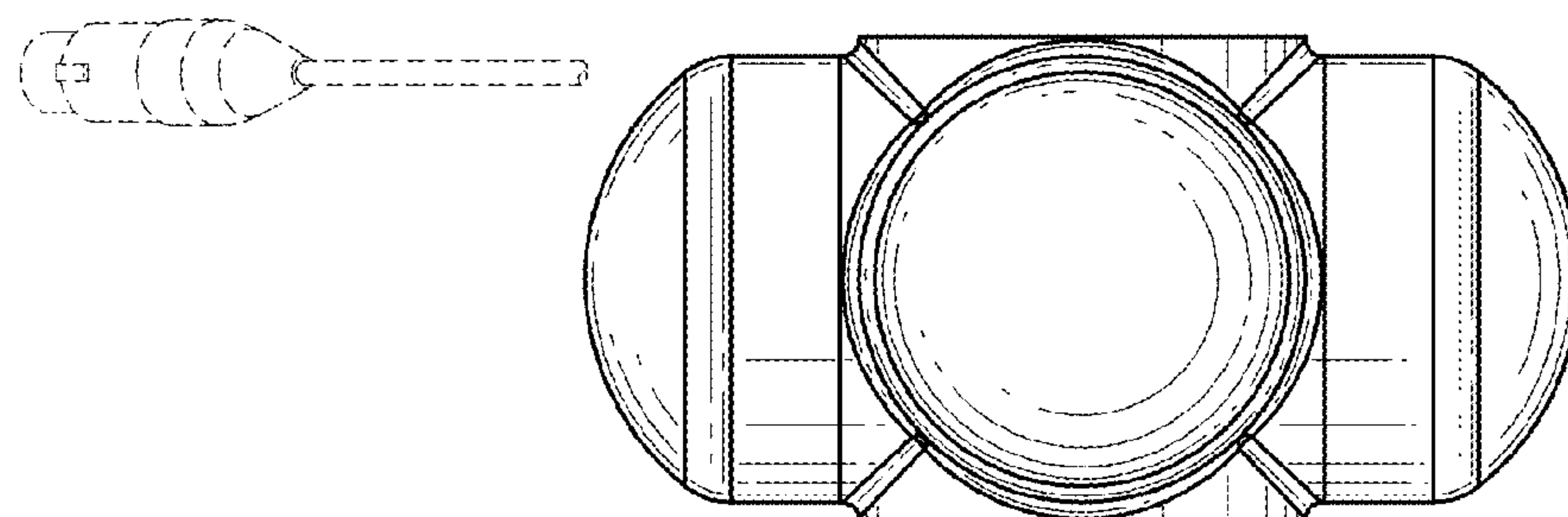


FIG. 3

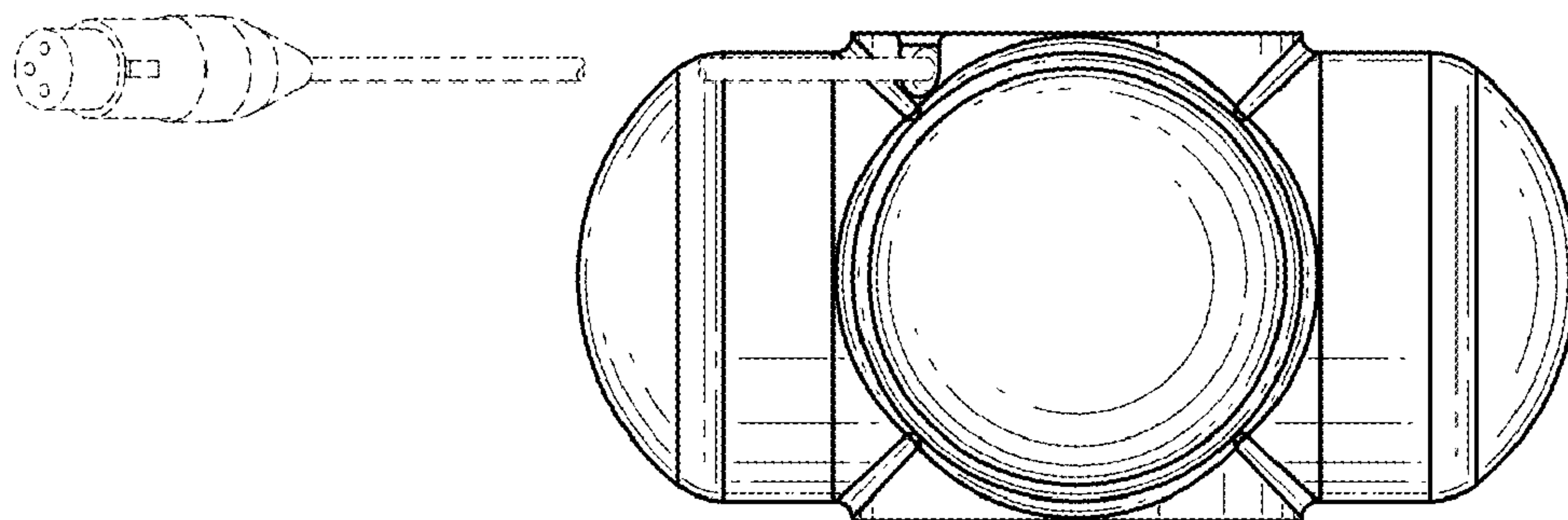


FIG. 4

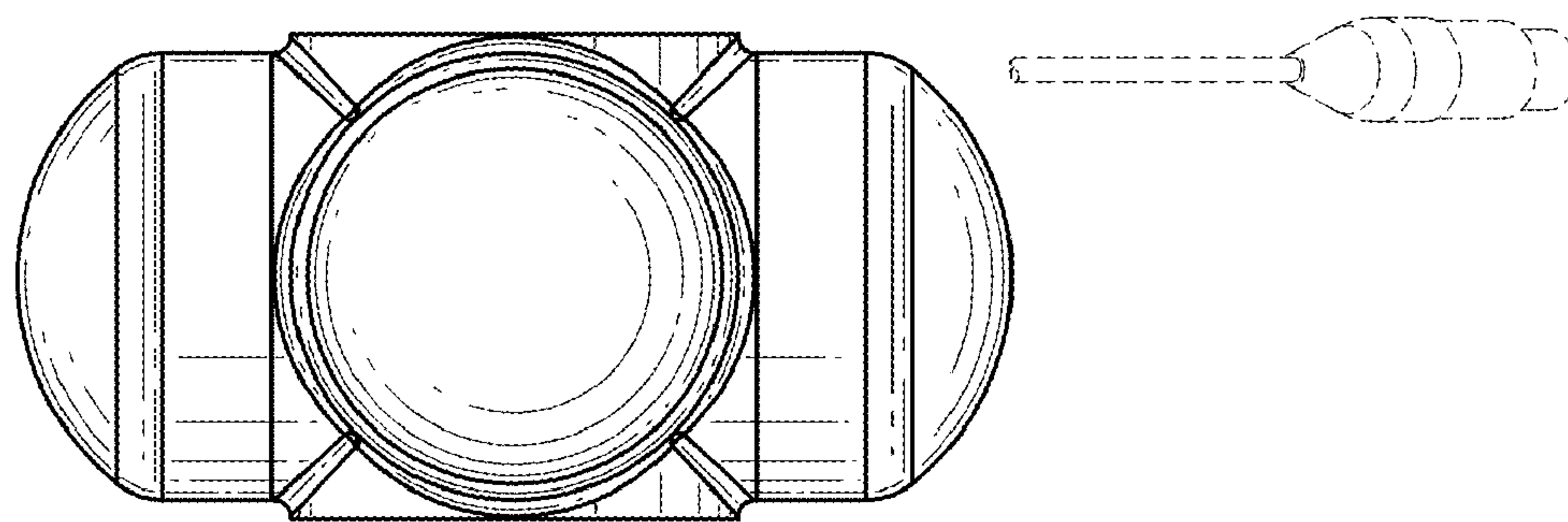


FIG. 5

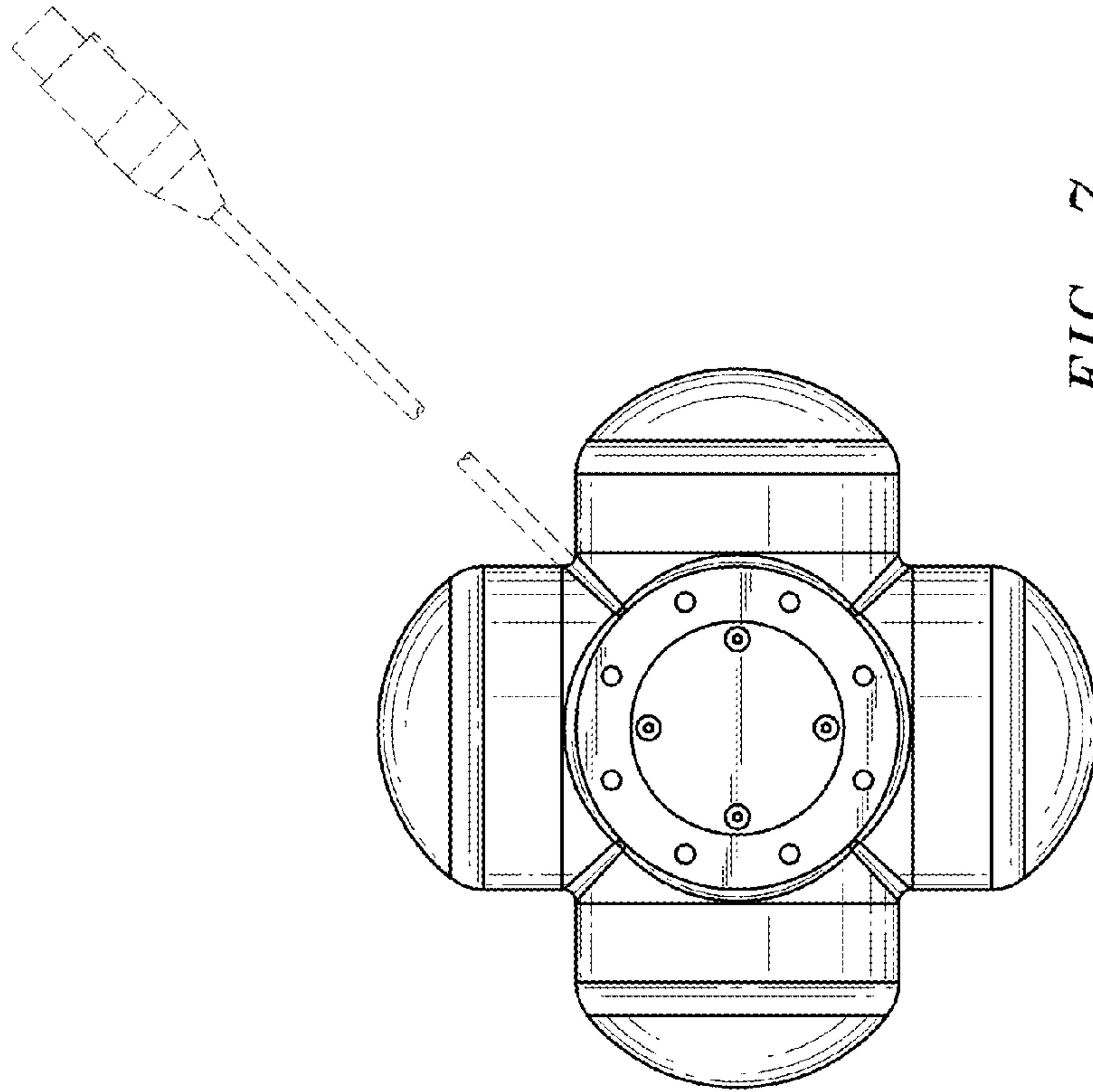


FIG. 7

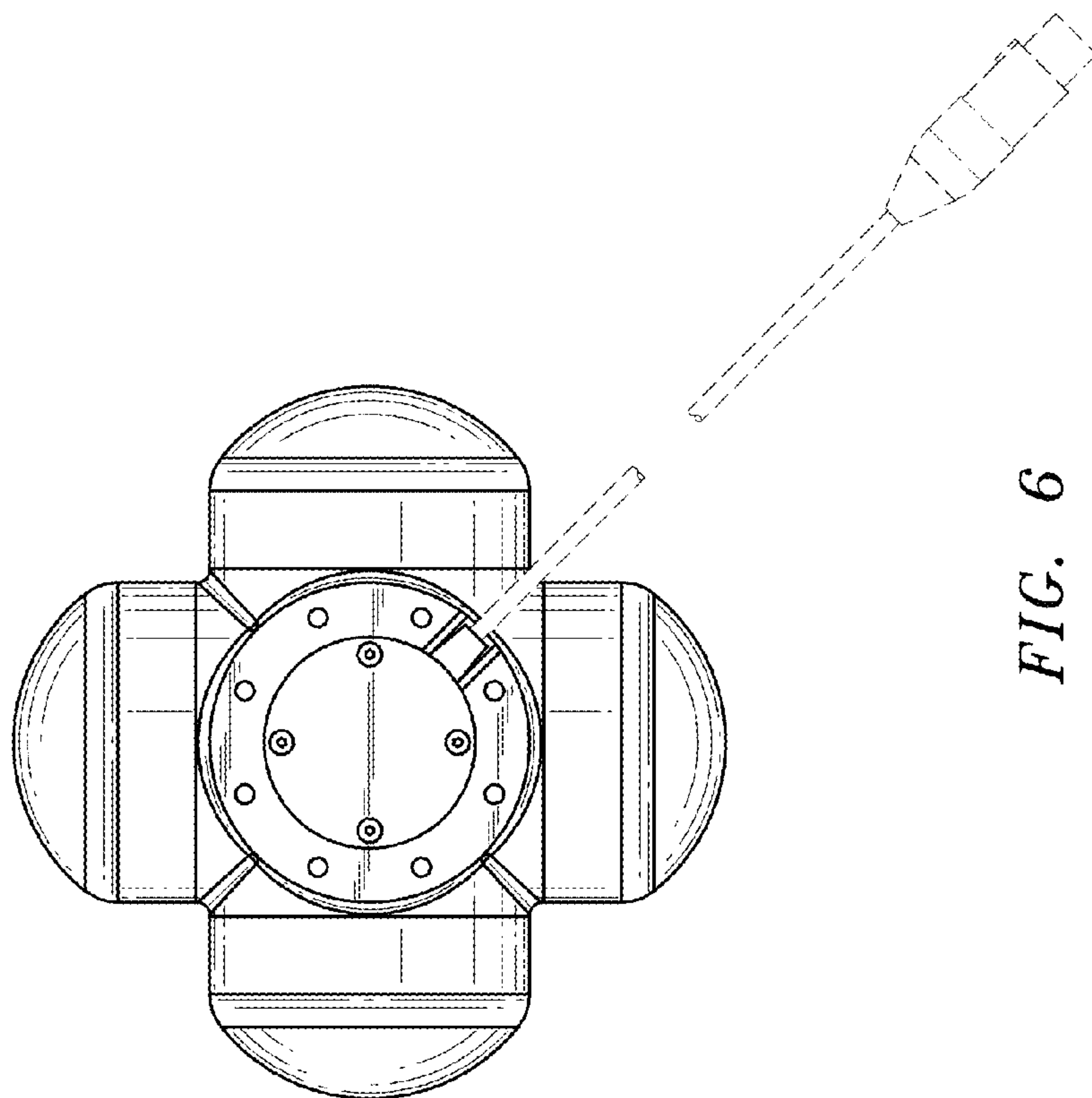


FIG. 6

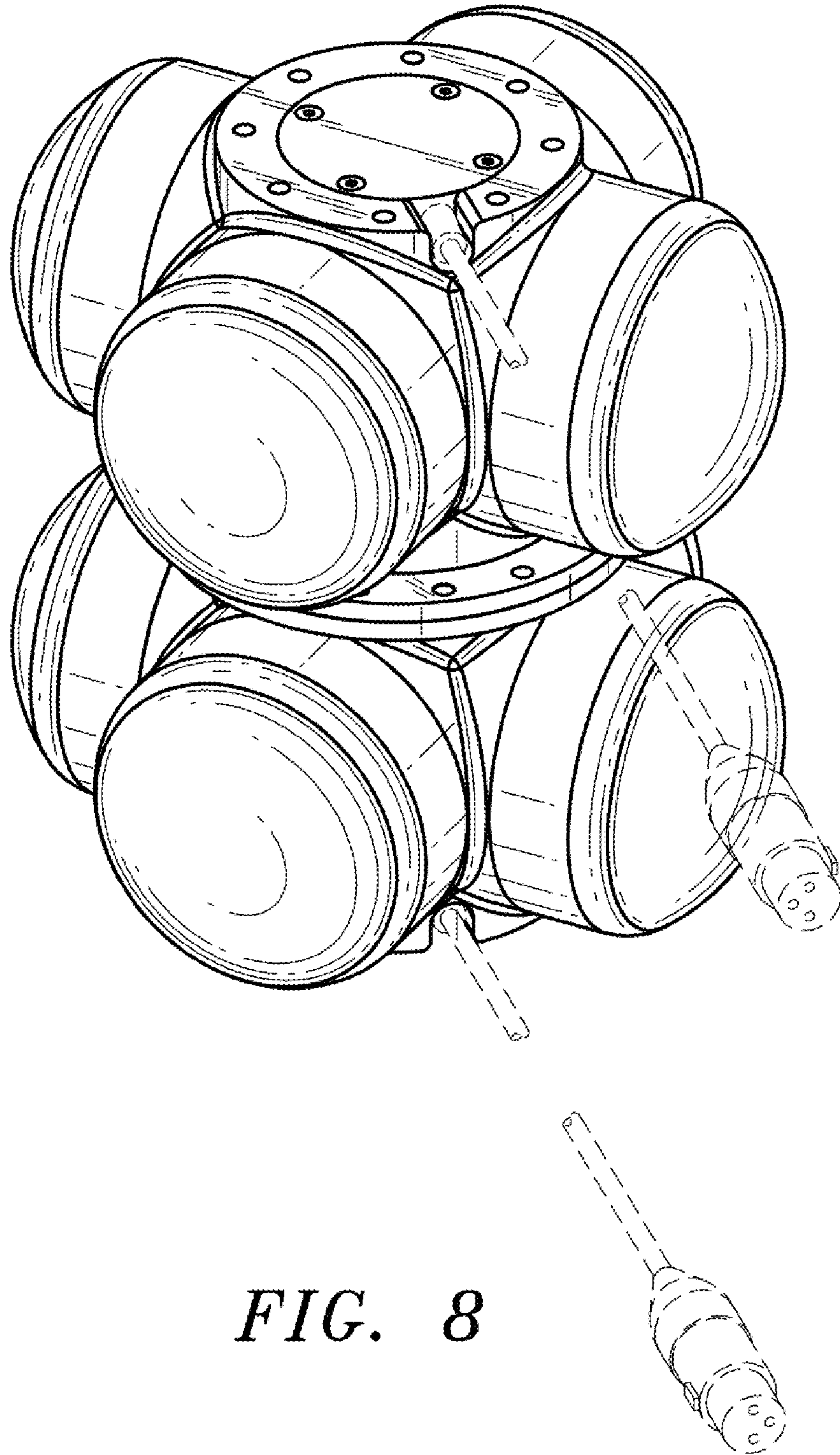


FIG. 8

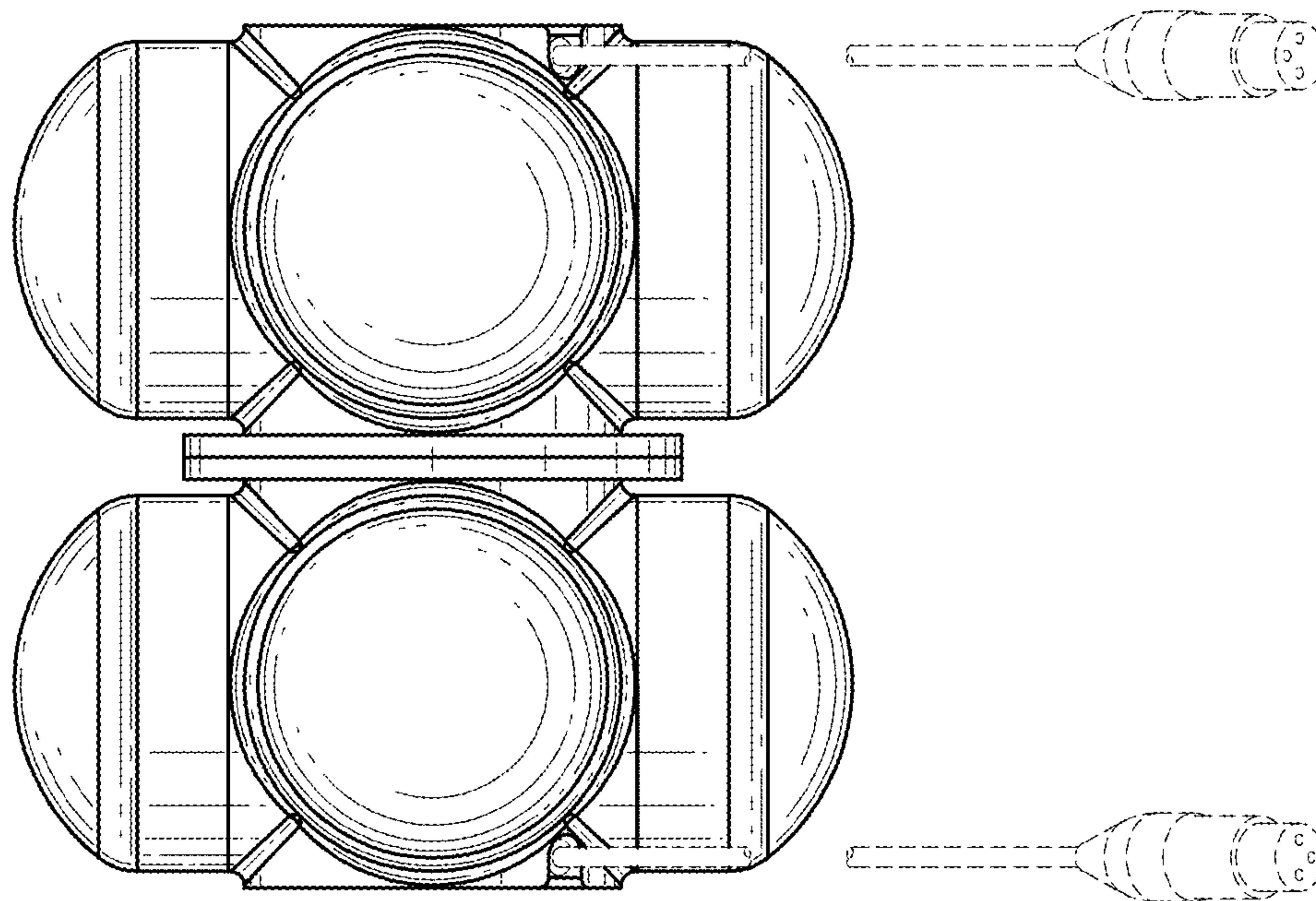


FIG. 9

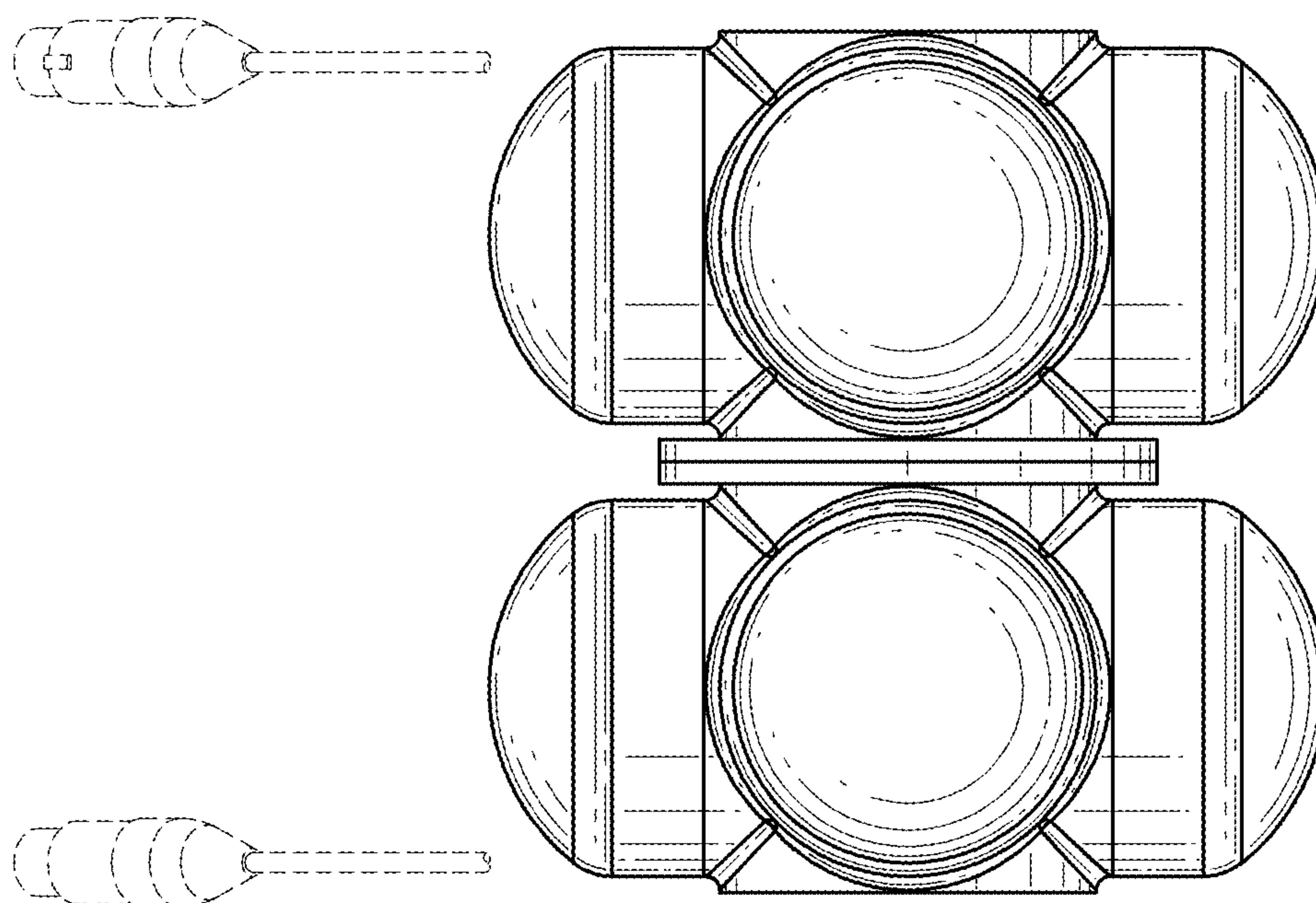


FIG. 10

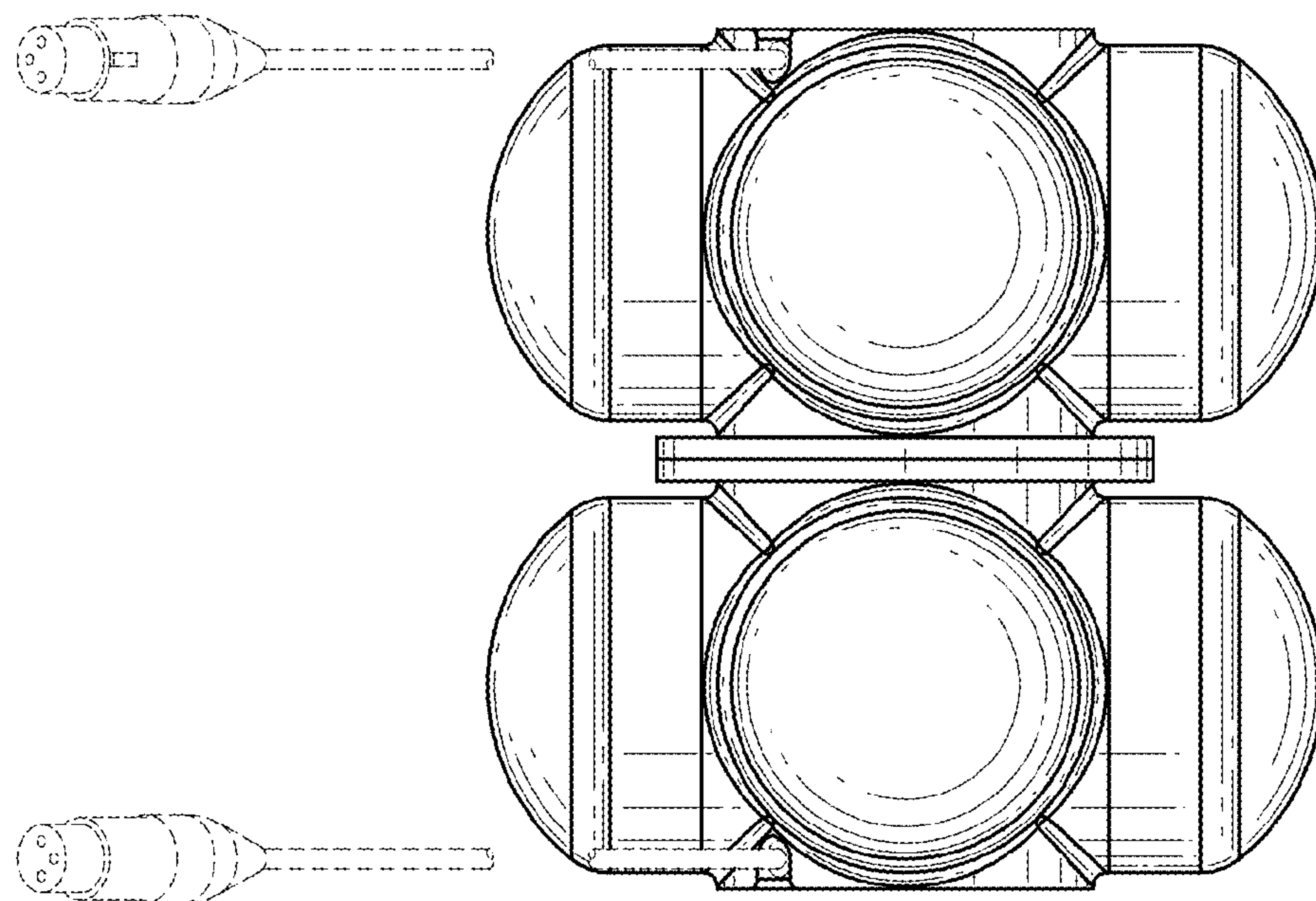


FIG. 11

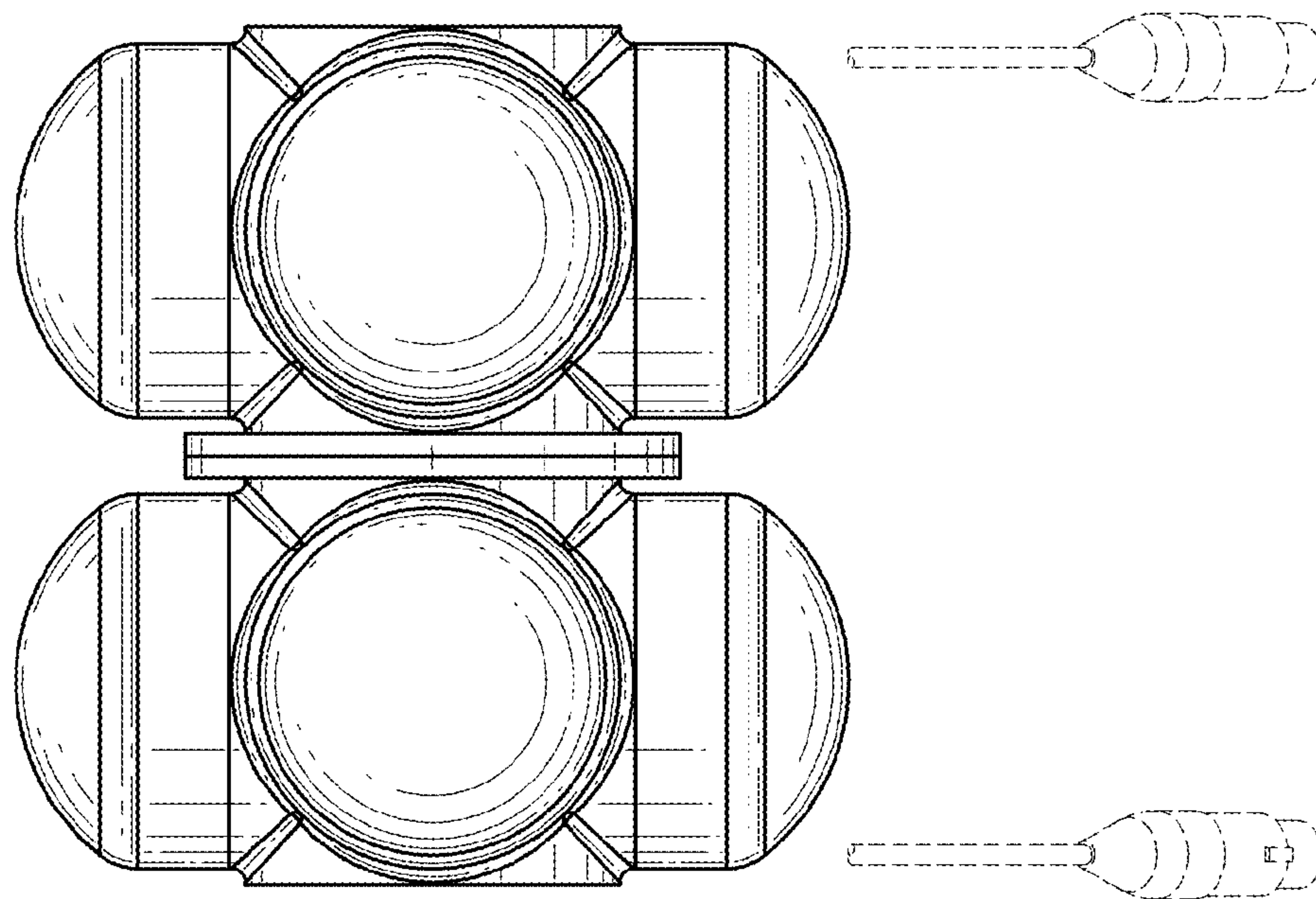


FIG. 12

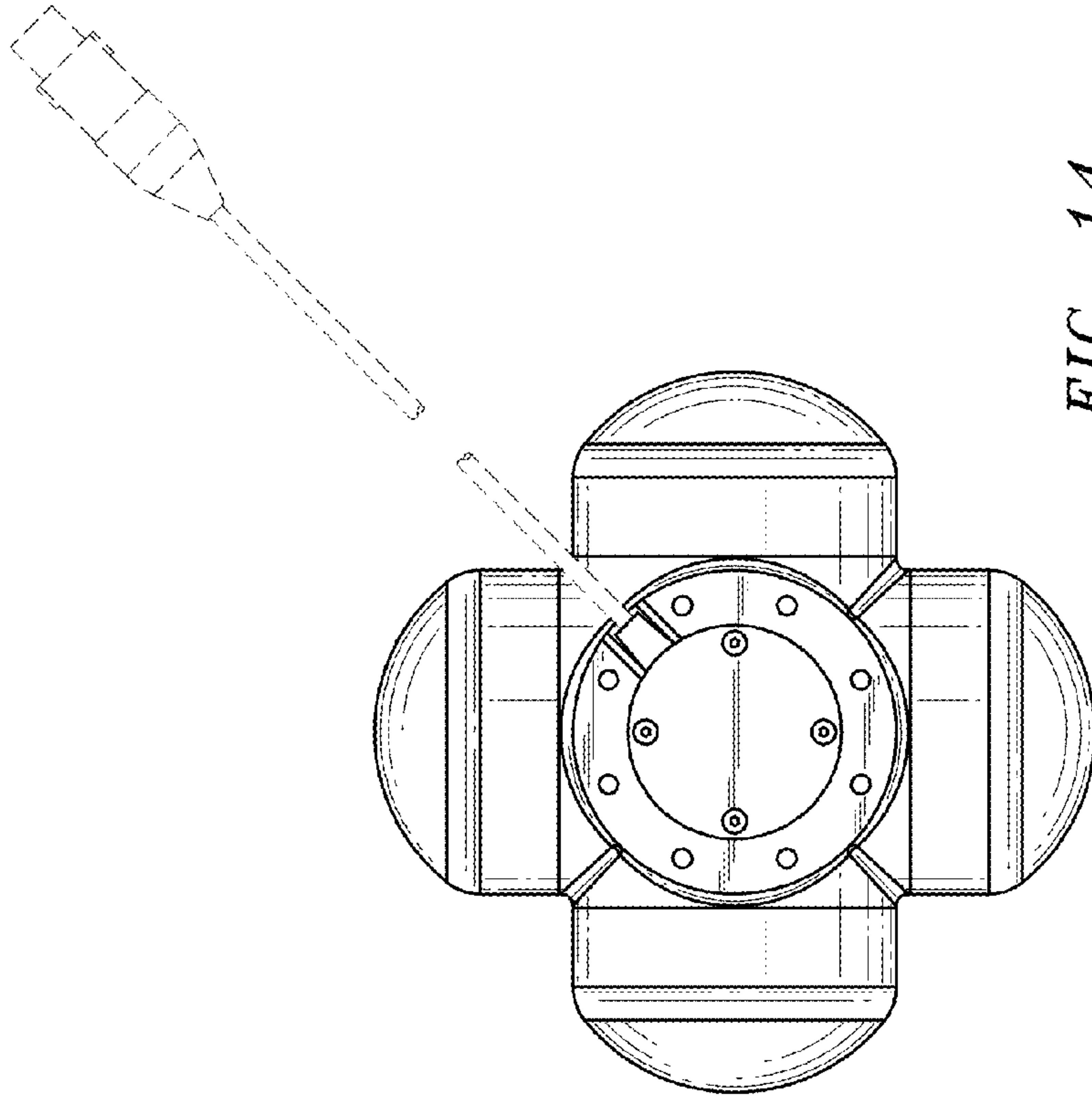


FIG. 14

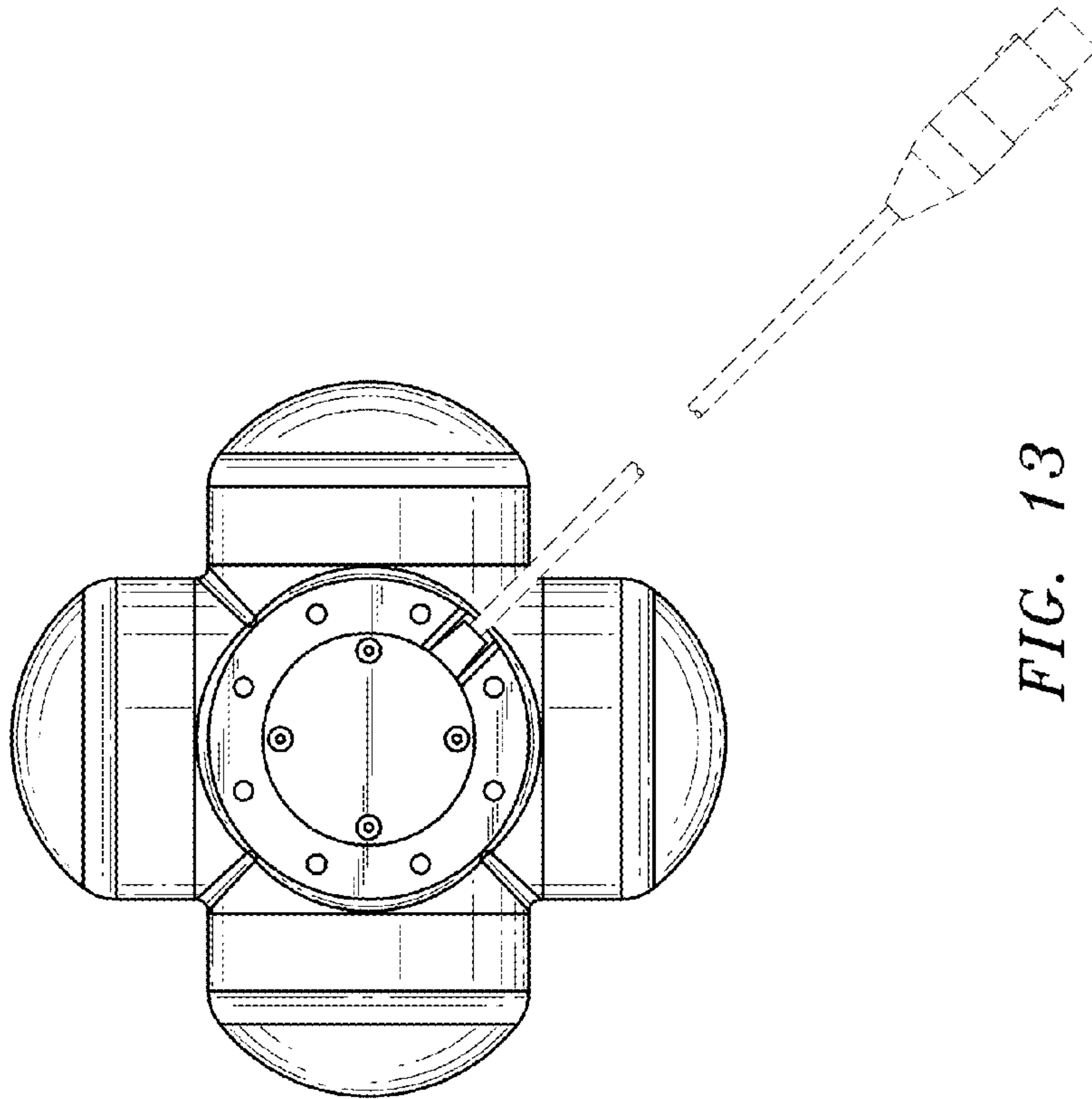


FIG. 13