



US00D679613S

(12) **United States Design Patent**  
**Propp et al.**

(10) **Patent No.:** **US D679,613 S**

(45) **Date of Patent:** **\*\* Apr. 9, 2013**

(54) **HANGING JIG**

(76) Inventors: **Morris Propp**, Jupiter, FL (US);  
**Adrienne Propp**, Jupiter, FL (US)

(\*\*) Term: **14 Years**

(21) Appl. No.: **29/406,421**

(22) Filed: **Nov. 14, 2011**

(51) **LOC (9) Cl.** ..... **10-04**

(52) **U.S. Cl.** ..... **D10/65**

(58) **Field of Classification Search** ..... D10/65;  
33/42, 451, 484, 613, 645; 248/475.1, 478,  
248/496

See application file for complete search history.

(56) **References Cited**

U.S. PATENT DOCUMENTS

1,298,995	A *	4/1919	Michalvitz	33/448
1,951,583	A *	3/1934	Swanson	248/477
2,681,194	A *	6/1954	Halvorsen	248/495
2,952,431	A *	9/1960	Pedley	248/495
3,516,165	A *	6/1970	Pfeffer	33/574
4,241,510	A	12/1980	Radecki	
D279,964	S *	8/1985	Weeks	D10/65
5,069,411	A *	12/1991	Murphy	248/476
5,471,760	A	12/1995	Farris	
5,509,213	A	4/1996	Kelly et al.	
5,867,917	A	2/1999	Karon	
6,003,825	A *	12/1999	Abernathy, Jr.	248/478
6,026,584	A	2/2000	Wegman	
6,032,378	A *	3/2000	Null	33/613

6,055,736	A *	5/2000	Gaston	33/528
6,421,928	B1	7/2002	Miller	
D488,966	S	4/2004	Rimback	
6,739,065	B2	5/2004	Hofmeister et al.	
6,883,244	B2	4/2005	Rimback	
6,898,862	B1	5/2005	Oberst	
6,971,184	B2	12/2005	Prevost	
7,155,840	B1	1/2007	Carbonaro	
D586,246	S *	2/2009	Rosso et al.	D10/65
7,814,675	B2	10/2010	Venderley et al.	
2010/0200723	A1	8/2010	Schapanski	

\* cited by examiner

*Primary Examiner* — Antoine D Davis

(74) *Attorney, Agent, or Firm* — Duane Morris LLP;  
Nicholas Zachariades; Karen C. Kline

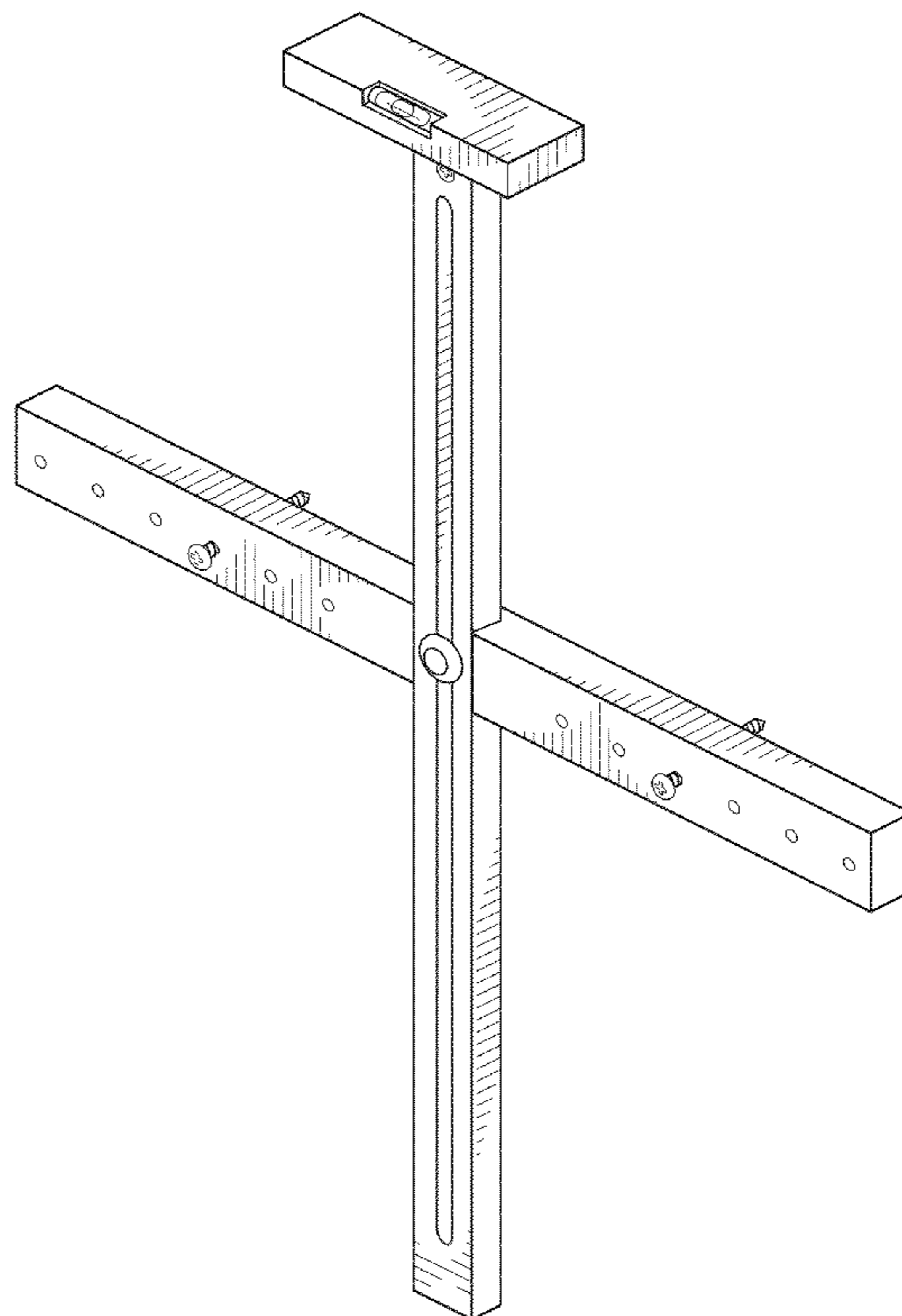
(57) **CLAIM**

The ornamental design for a hanging jig, as shown and described.

**DESCRIPTION**

FIG. 1 is a perspective view of the ornamental design;  
FIG. 2 is a front view of the ornamental design of FIG. 1;  
FIG. 3 is a back view of the ornamental design of FIG. 1;  
FIG. 4 is a right side view of the ornamental design of FIG. 1;  
FIG. 5 is a left side view of the ornamental design of FIG. 1;  
FIG. 6 is a top view of the ornamental design of FIG. 1; and,  
FIG. 7 is a bottom view of the ornamental design of FIG. 1.

**1 Claim, 5 Drawing Sheets**



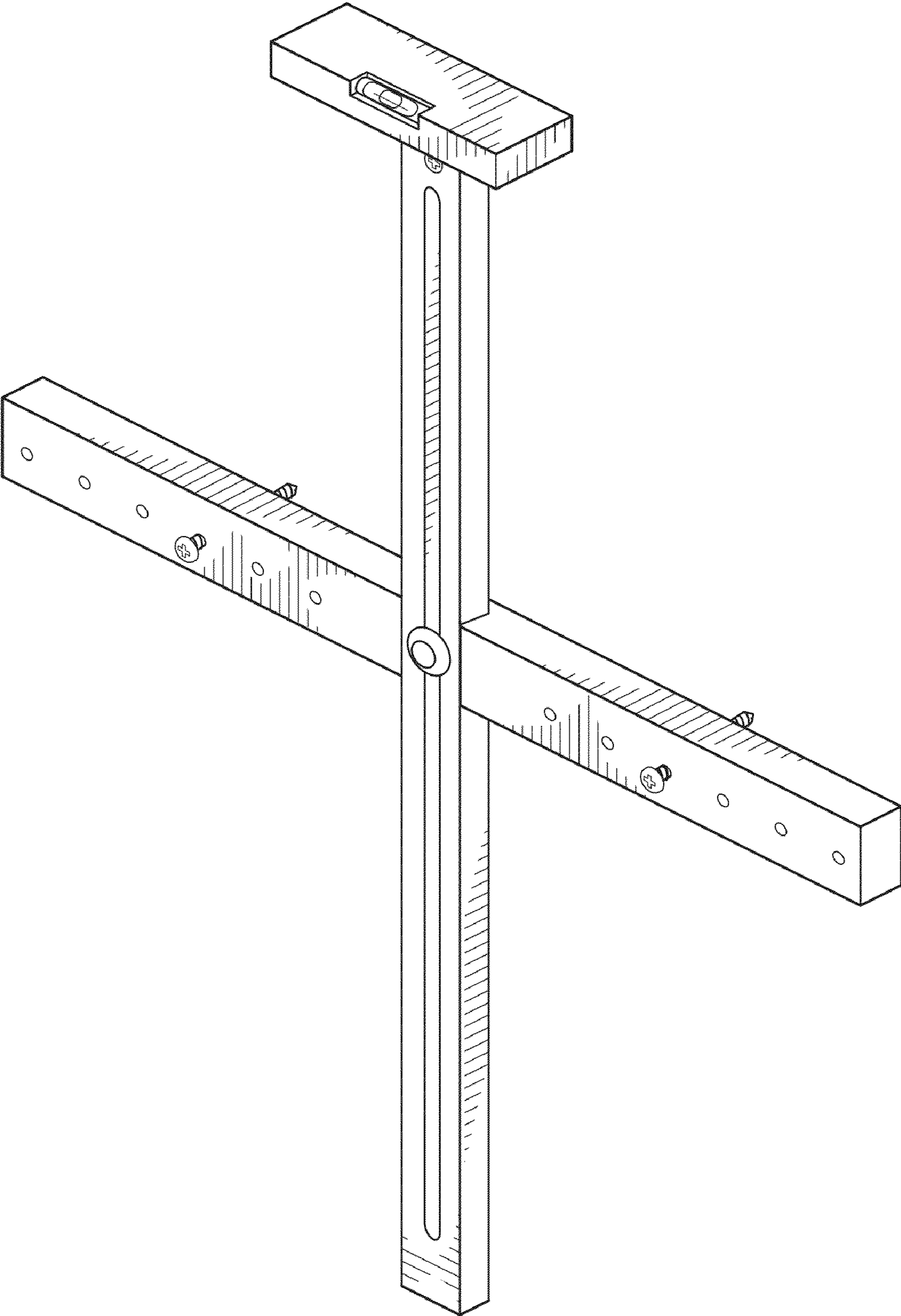


FIG. 1

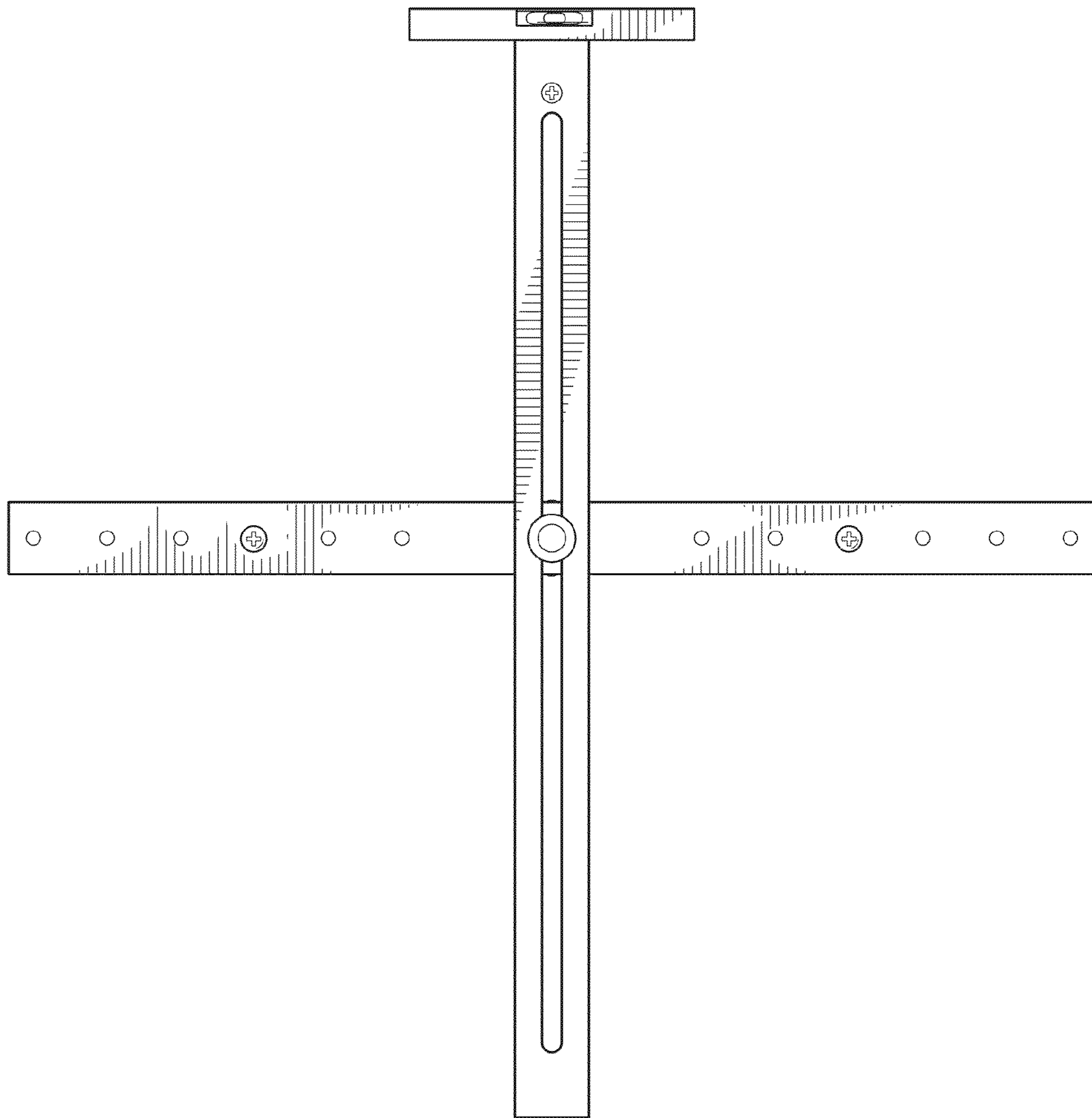


FIG. 2

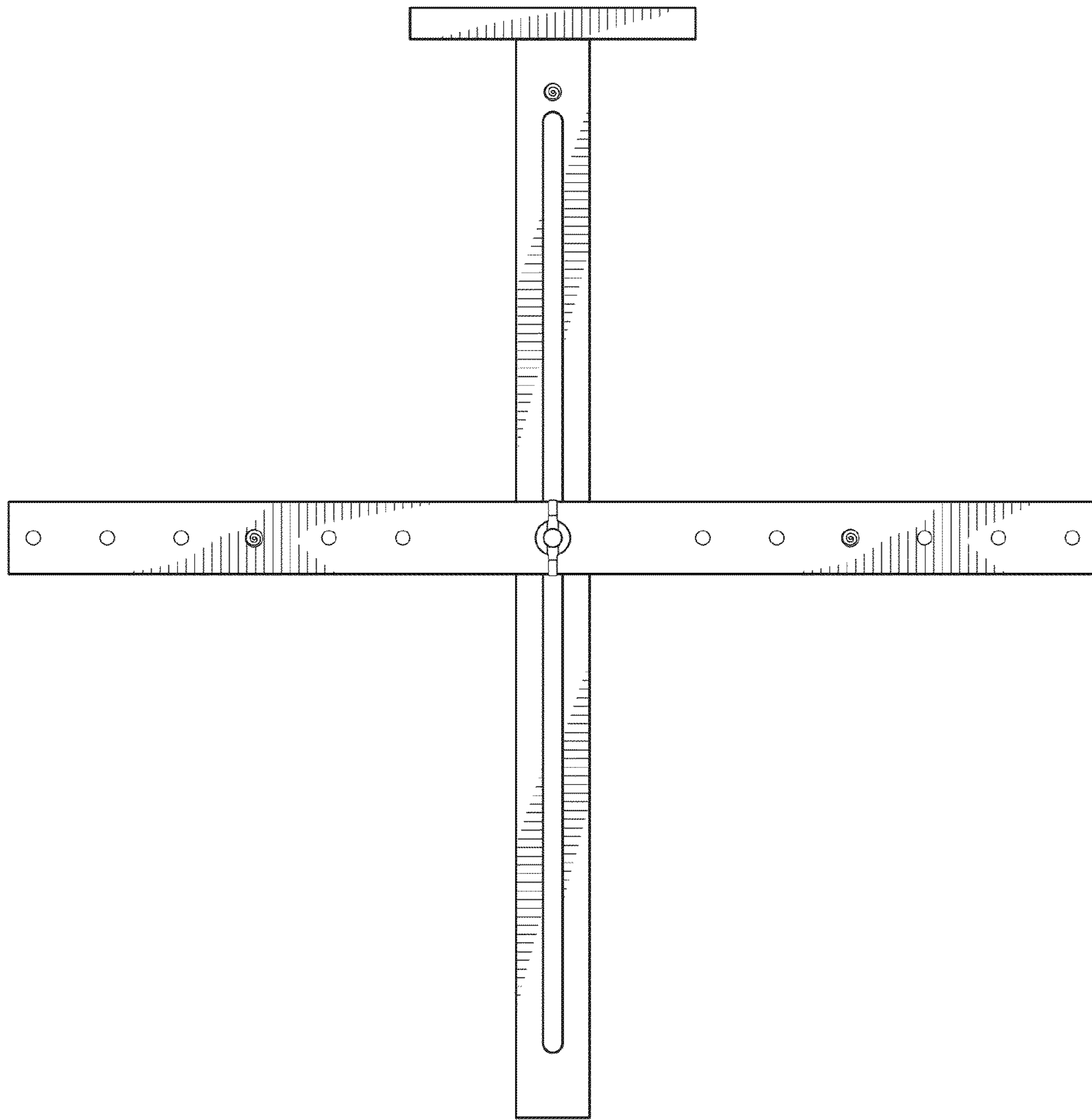
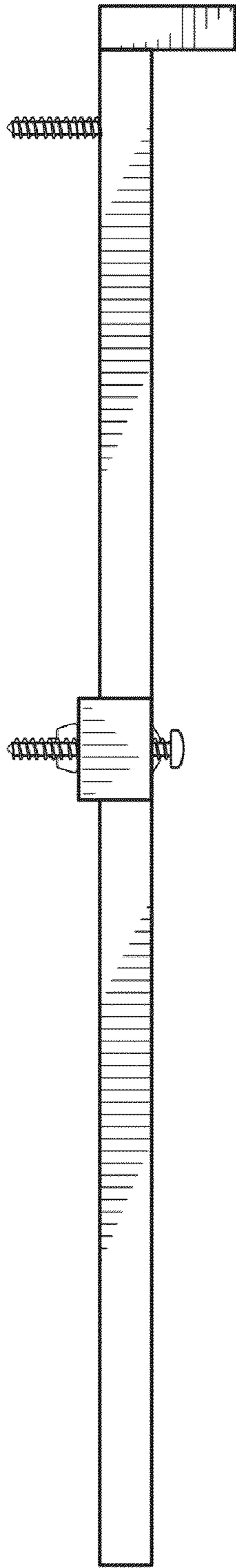
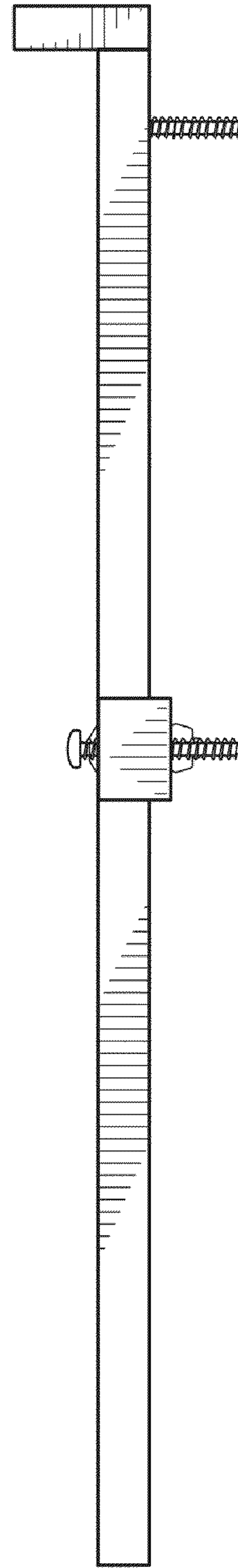


FIG. 3



**FIG. 4**



**FIG. 5**

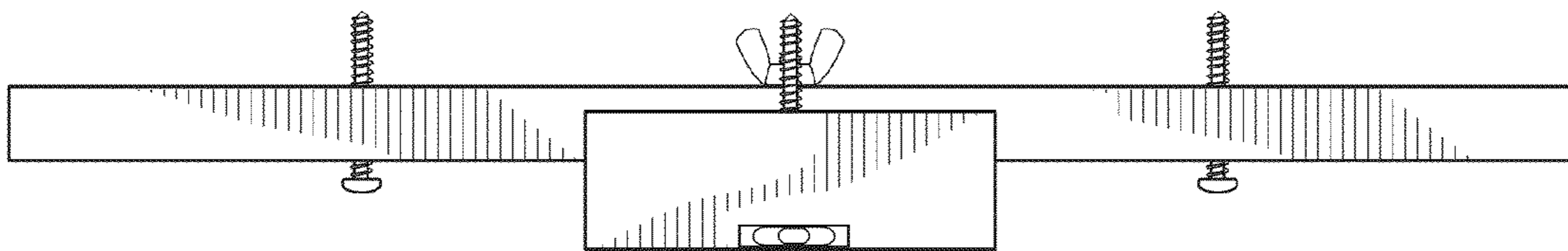


FIG. 6

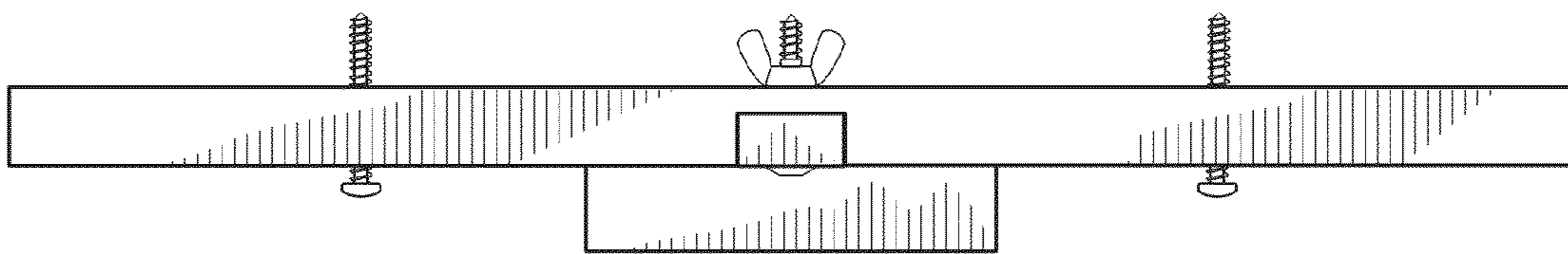


FIG. 7