



US00D679612S

(12) **United States Design Patent**  
**Chang**

(10) **Patent No.:** **US D679,612 S**

(45) **Date of Patent:** **\*\* Apr. 9, 2013**

(54) **MEASURING INSTRUMENT**

(76) Inventor: **Shen-Wei Chang**, Taichung (TW)

(\*\*) Term: **14 Years**

(21) Appl. No.: **29/410,515**

(22) Filed: **Jan. 9, 2012**

(51) **LOC (9) Cl.** ..... **10-04**

(52) **U.S. Cl.** ..... **D10/62**

(58) **Field of Classification Search** ..... D10/62,  
D10/68, 69, 70; 33/273, 275 R, 291, 295,  
33/354; 374/141, 142

See application file for complete search history.

(56) **References Cited**

**U.S. PATENT DOCUMENTS**

D312,795 S \* 12/1990 Fugett ..... D10/62  
5,103,569 A \* 4/1992 Leatherwood ..... 33/379

\* cited by examiner

*Primary Examiner* — Antoine D Davis

(74) *Attorney, Agent, or Firm* — Marger, Johnson & McCollom PC

(57) **CLAIM**

The ornamental design for measuring instrument, as shown and described.

**DESCRIPTION**

FIG. 1 is a perspective view of measuring instrument showing my new design;

FIG. 2 is a front elevational view thereof;

FIG. 3 is a rear elevational view thereof;

FIG. 4 is a left side elevational view thereof;

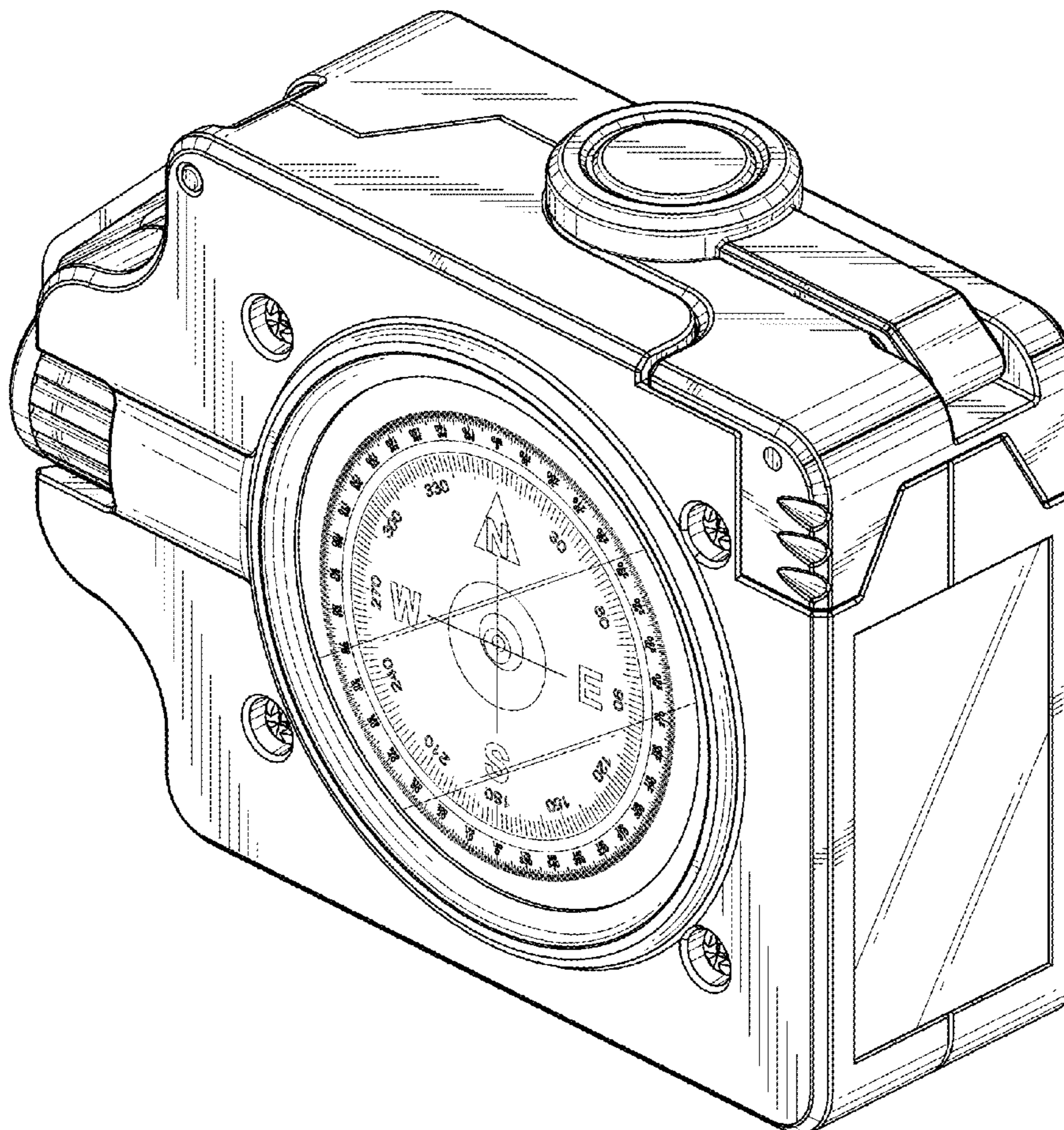
FIG. 5 is a right side elevational view thereof;

FIG. 6 is a top plan view thereof;

FIG. 7 is a bottom plan view thereof; and,

FIG. 8 is a perspective view of the design in use.

**1 Claim, 8 Drawing Sheets**



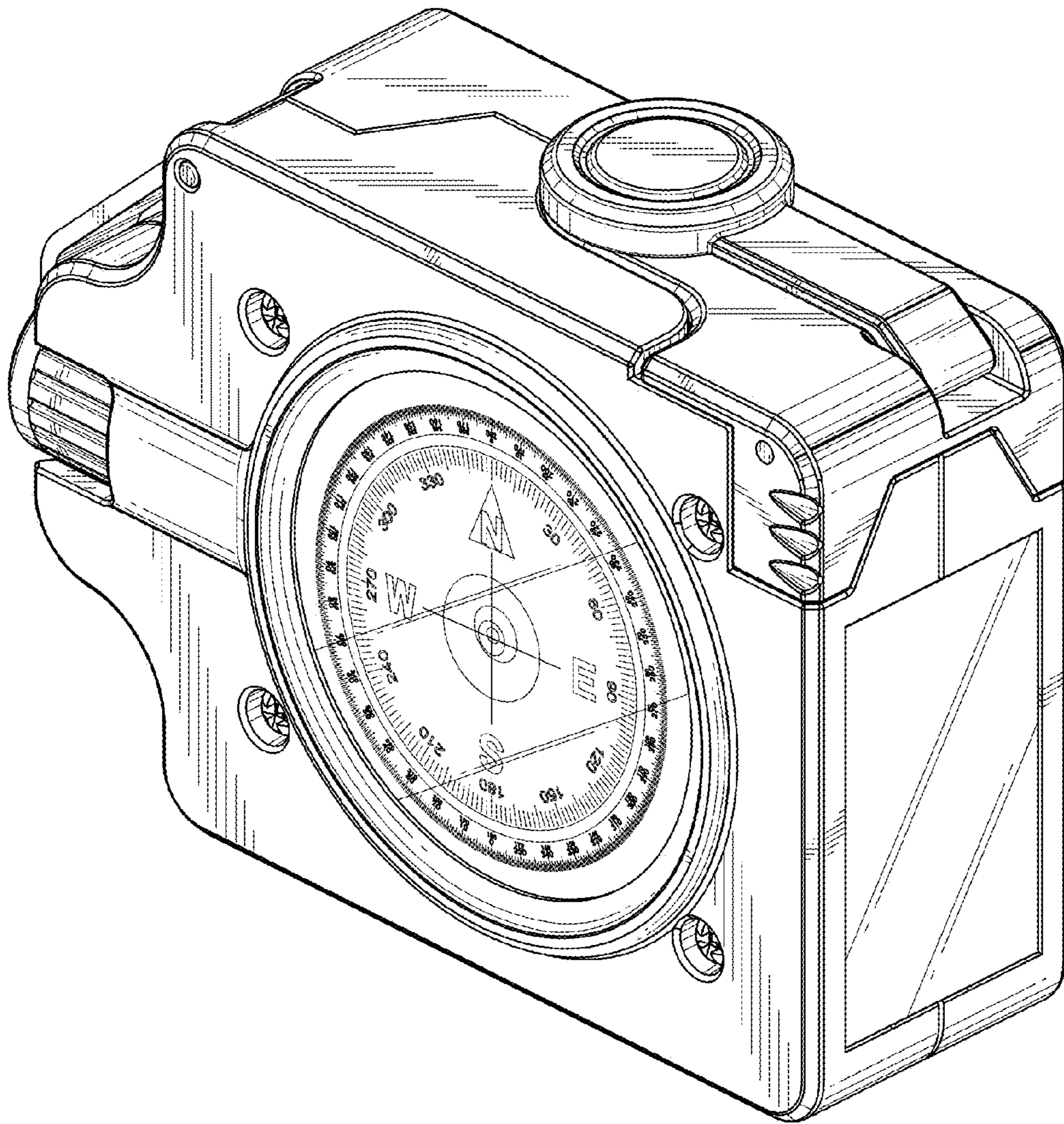


FIG. 1

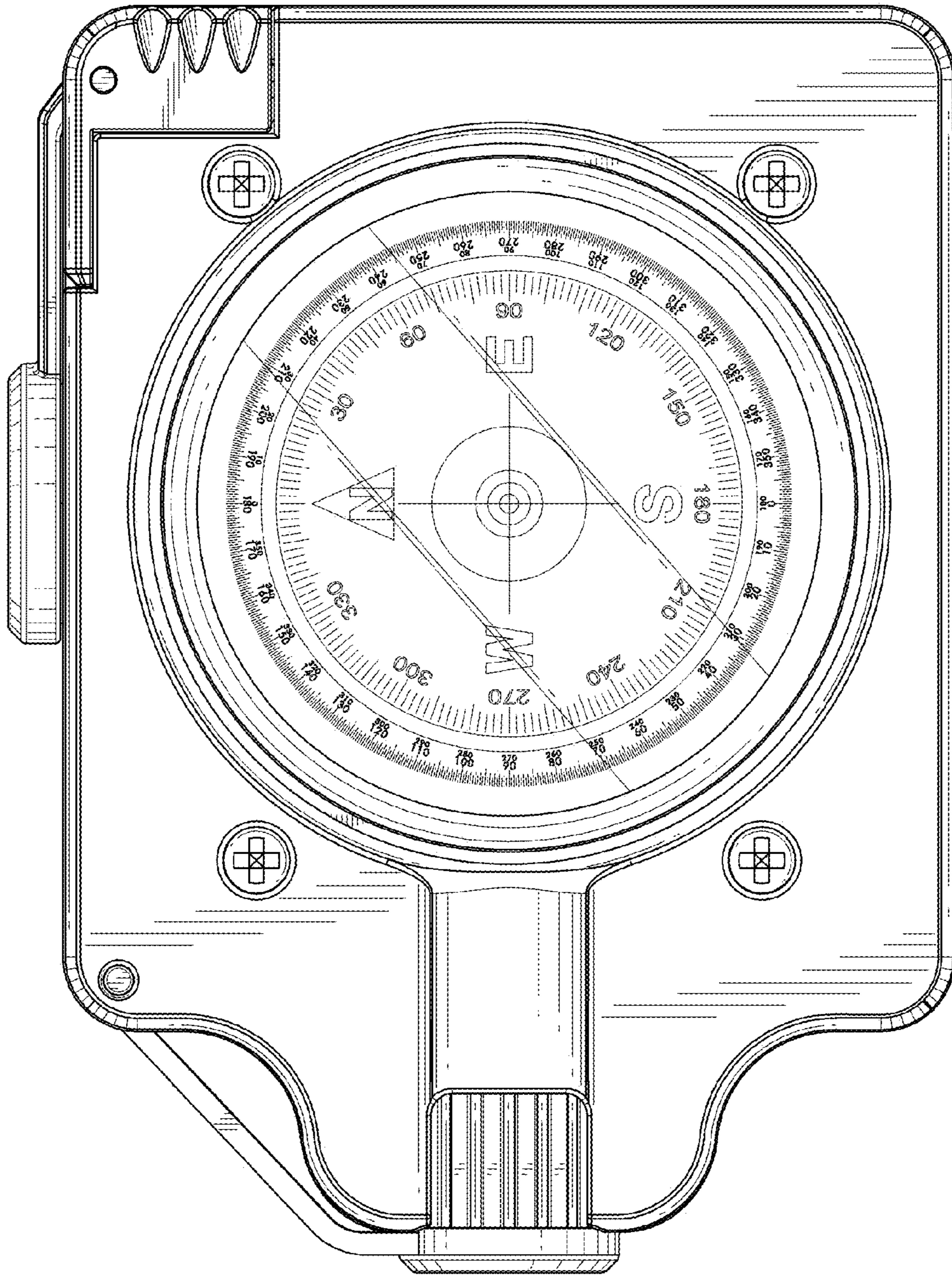


FIG. 2

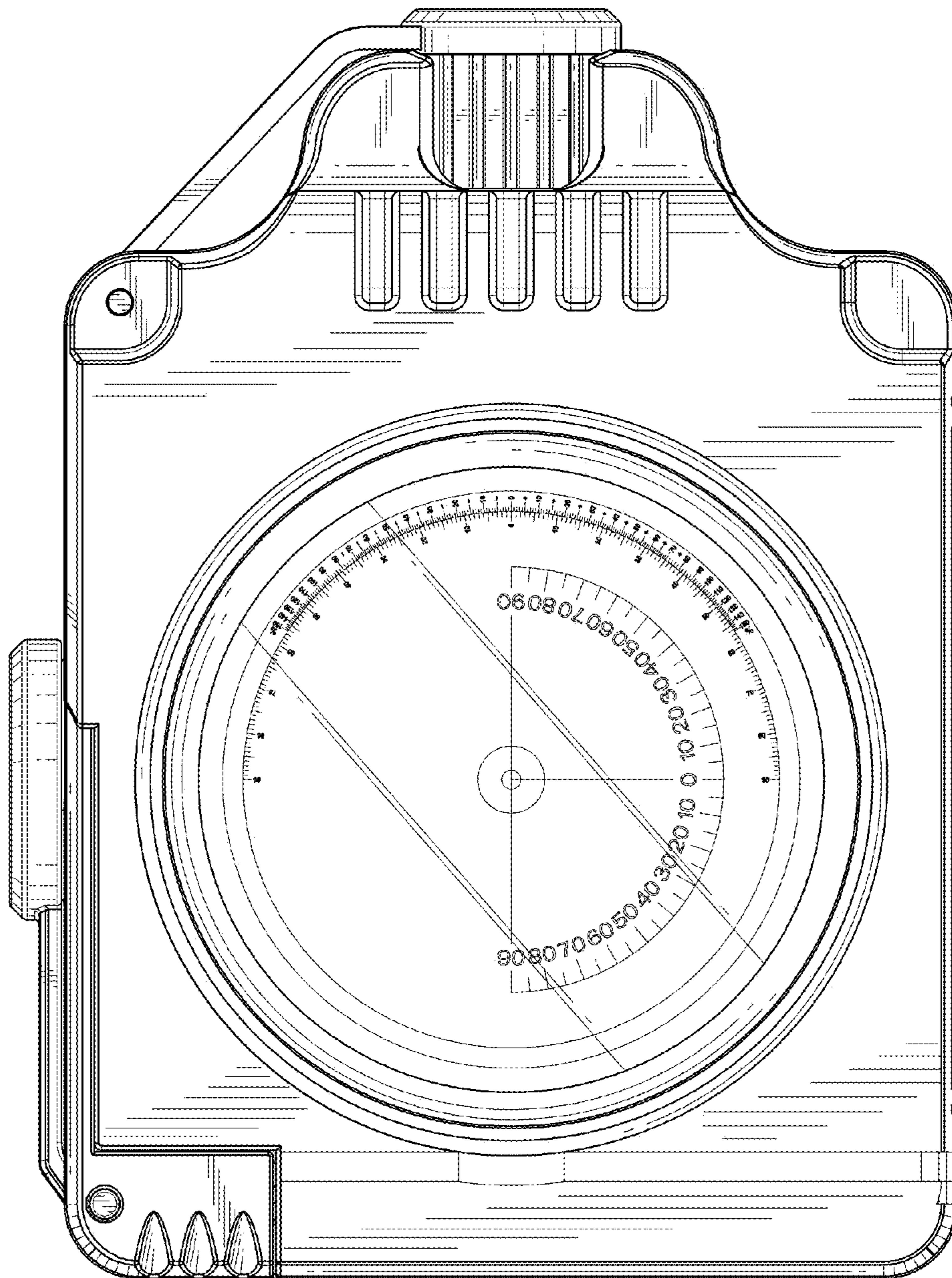


FIG. 3

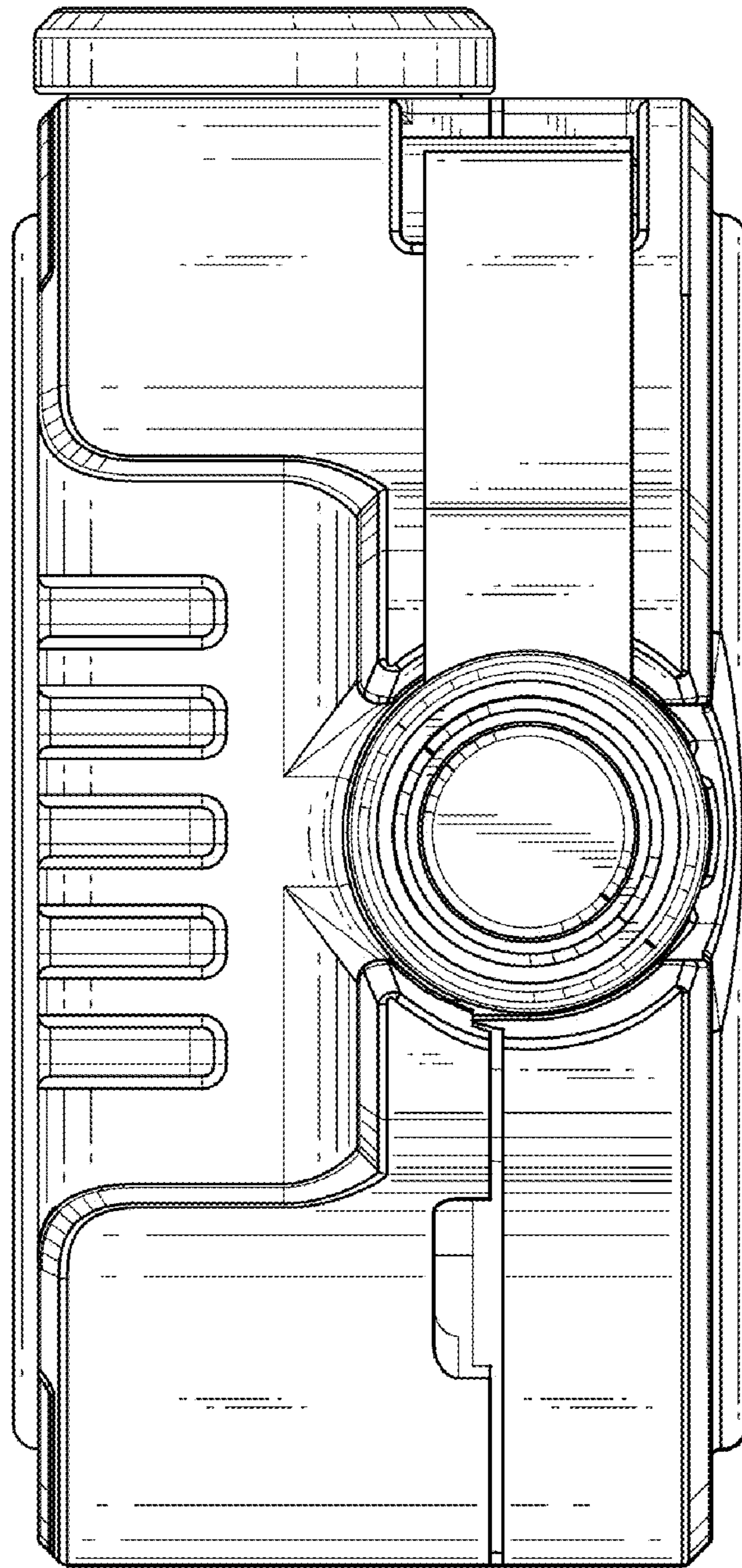


FIG. 4

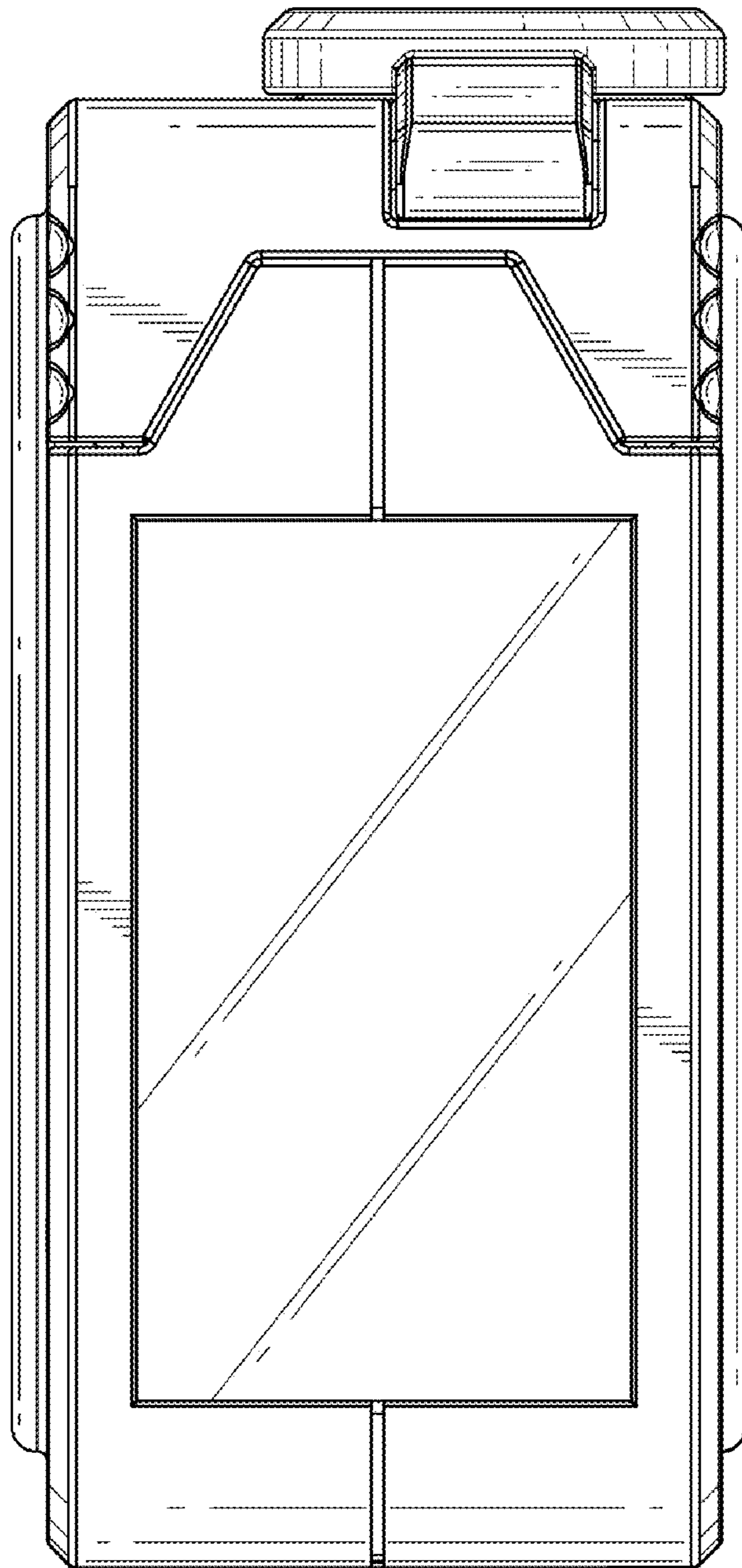


FIG. 5

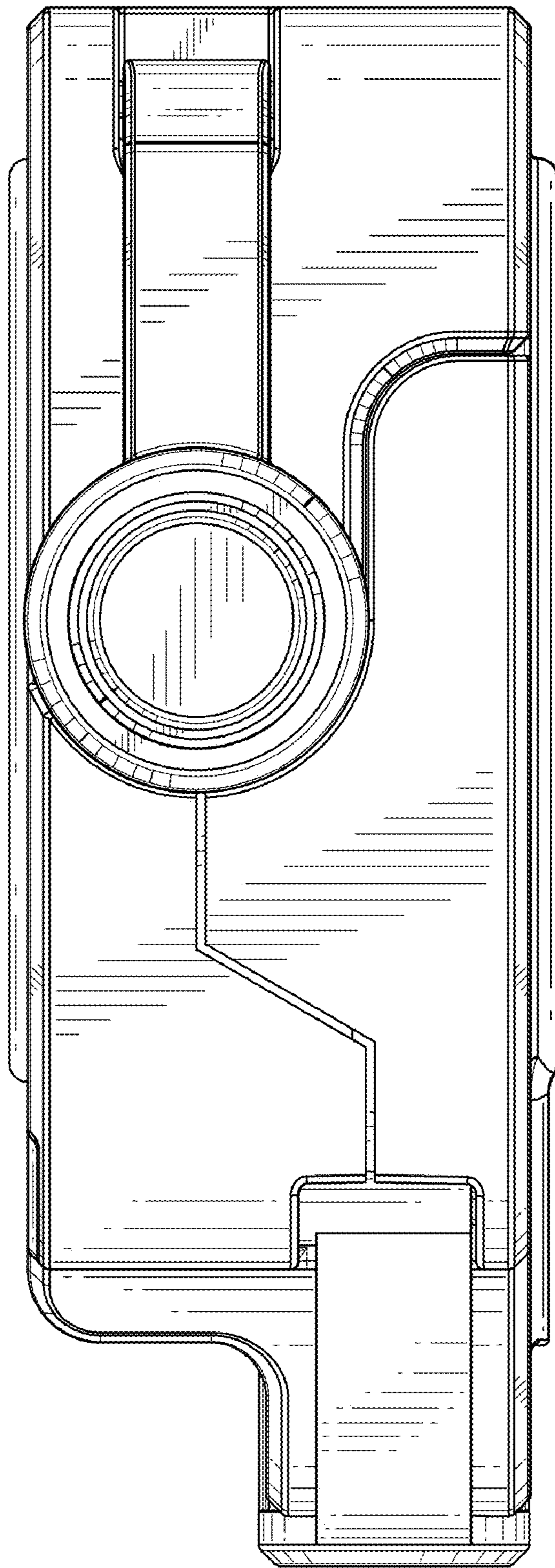


FIG. 6

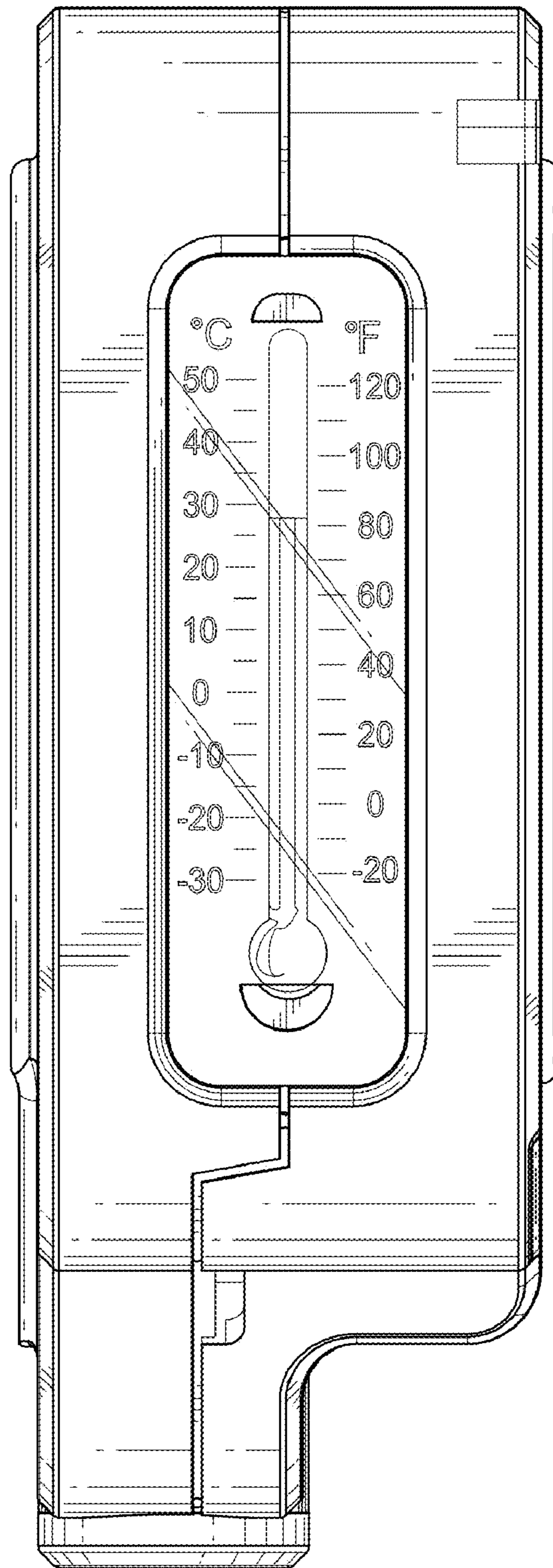


FIG. 7



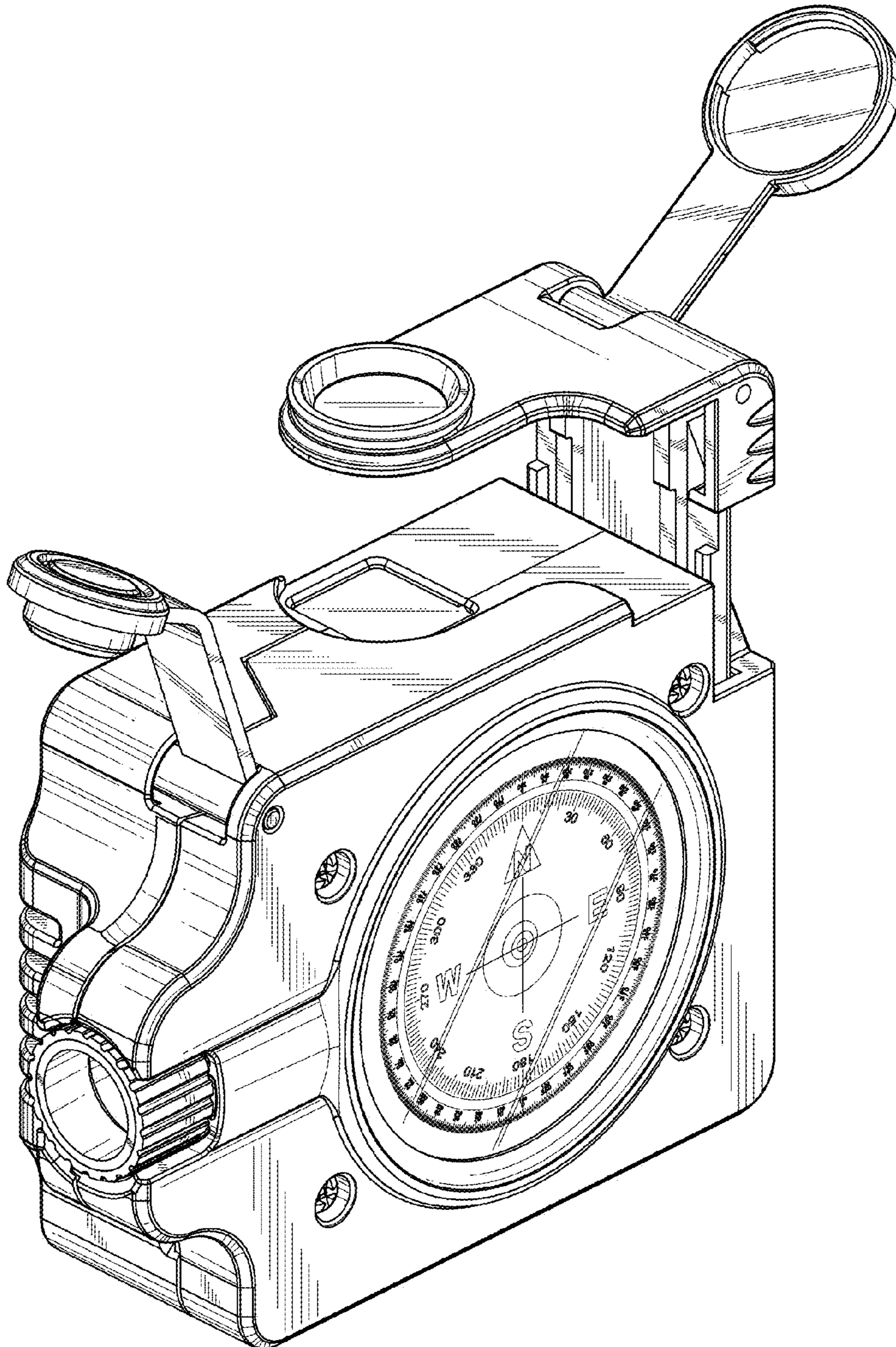


FIG. 8