



US00D679611S

(12) **United States Design Patent**
Chastaingt

(10) **Patent No.:** **US D679,611 S**

(45) **Date of Patent:** **** Apr. 9, 2013**

(54) **WATCH**

(75) **Inventor:** **Arnaud Chastaingt, Paris (FR)**

(73) **Assignee:** **Cartier Creation Studio SA, Geneva (CH)**

(**) **Term:** **14 Years**

(21) **Appl. No.:** **29/418,090**

(22) **Filed:** **Apr. 12, 2012**

(30) **Foreign Application Priority Data**

Oct. 13, 2011 (WO) DM/077 626

(51) **LOC (9) Cl.** **10-02**

(52) **U.S. Cl.** **D10/39; D10/36**

(58) **Field of Classification Search** D10/30-39,
D10/6, 7, 9, 123-126, 132; 368/276, 281,
368/282, 283, 285, 223, 228, 229, 232; D11/31,
D11/44, 48, 49, 52, 57, 81, 82, 84

See application file for complete search history.

(56) **References Cited**

U.S. PATENT DOCUMENTS

D14,162 S *	8/1883	Diolot	D10/124
393,248 A *	11/1888	Lewis	368/285
689,530 A *	12/1901	Adams	368/271
D178,044 S *	6/1956	Pasquier	D10/126
D296,991 S *	8/1988	Lauper	D10/30
4,970,708 A *	11/1990	Gagnebin et al.	368/300
D326,232 S *	5/1992	Kurebayashi	D10/39

D328,866 S *	8/1992	Deleskiewicz	D10/39
D351,361 S *	10/1994	Itoh	D10/126
D351,565 S *	10/1994	Ito	D10/126
5,398,218 A *	3/1995	Munnier et al.	368/282
D368,433 S *	4/1996	Schulze	D10/39
D371,745 S *	7/1996	Wunderman	D10/32
D380,393 S *	7/1997	Molas	D10/31
D390,128 S *	2/1998	Toribio	D10/32
D423,949 S *	5/2000	Stoll	D10/32
D505,342 S *	5/2005	Hayek	D10/39
D545,714 S *	7/2007	Nataf	D10/126
D579,793 S *	11/2008	Hayek	D10/39
D607,758 S *	1/2010	Hegi	D10/39
D649,481 S *	11/2011	Crocco	D10/39
D666,115 S *	8/2012	Calvani	D10/126

* cited by examiner

Primary Examiner — Lucy Lieberman

(74) *Attorney, Agent, or Firm* — Krieg DeVault LLP;
Clifford W. Browning

(57) **CLAIM**

The ornamental design for a watch, as shown and described.

DESCRIPTION

FIG. 1 is a top view of the watch of the present invention.

FIG. 2 is a bottom view of the watch of FIG. 1.

FIG. 3 is a back view of the watch of FIG. 1.

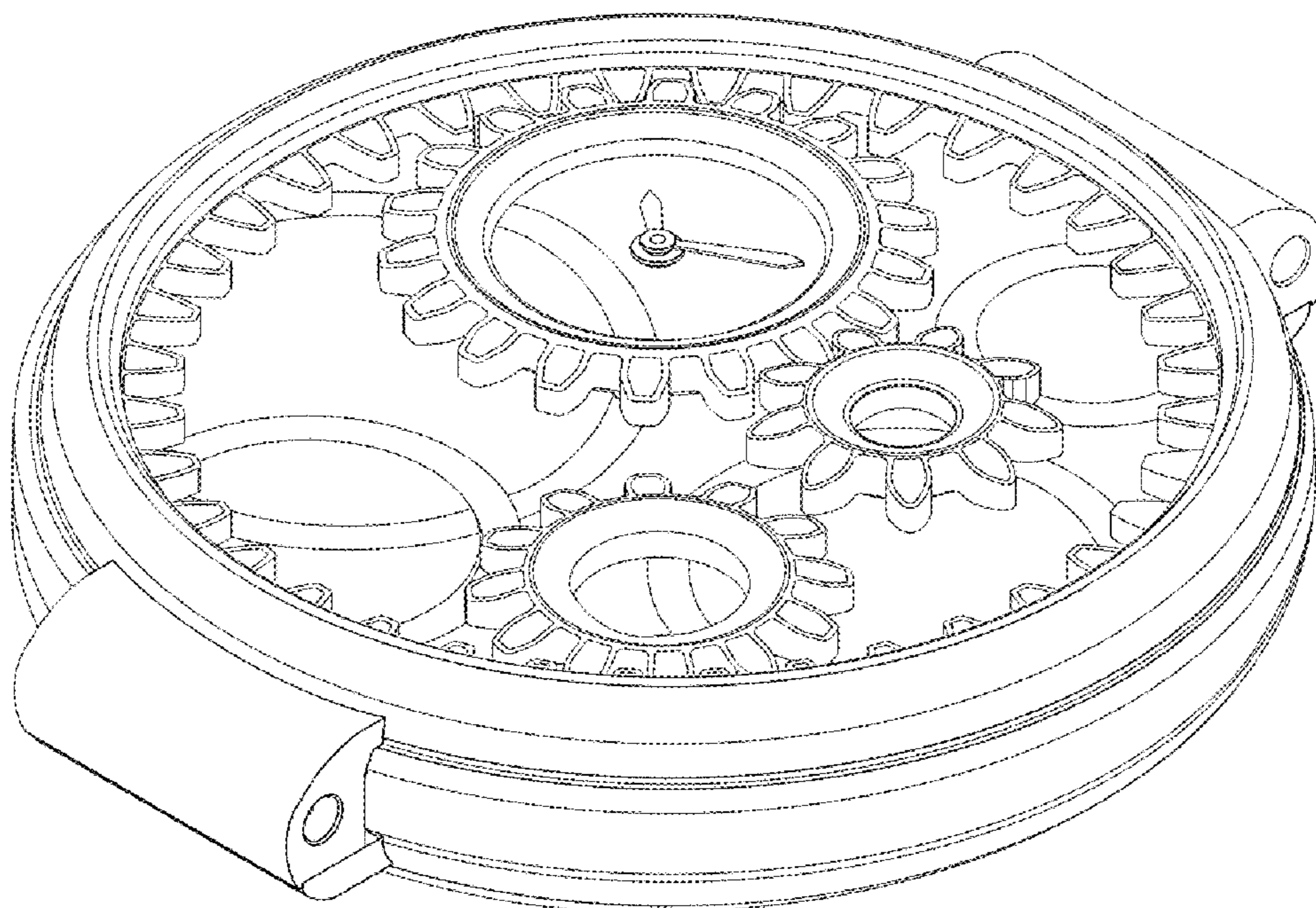
FIG. 4 is a front view of the watch of FIG. 1.

FIG. 5 is a left side view of the watch of FIG. 1.

FIG. 6 is a right side view of the watch of FIG. 1; and,

FIG. 7 is a top right side perspective view of the watch of FIG. 1.

1 Claim, 2 Drawing Sheets



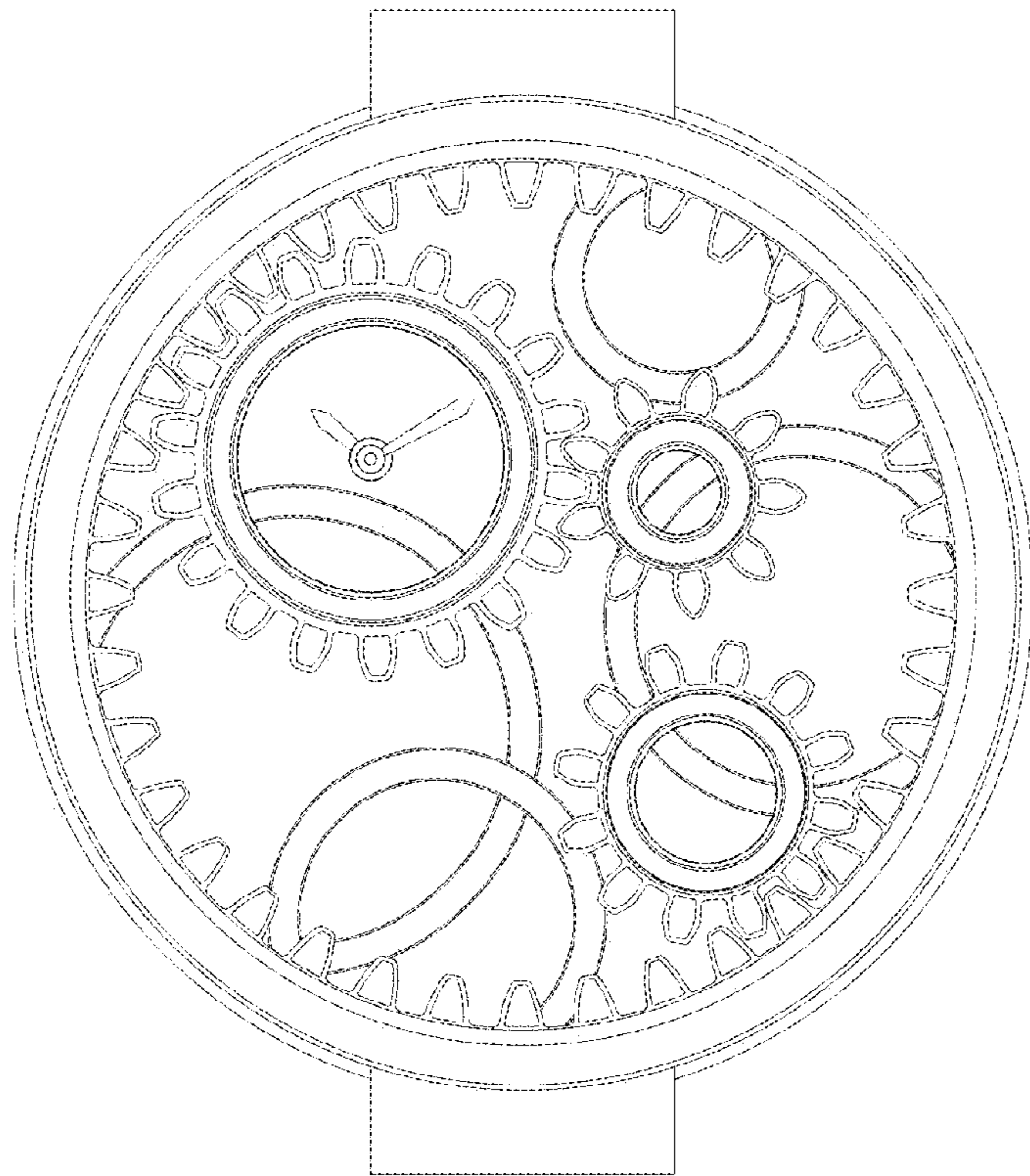


FIG. 1

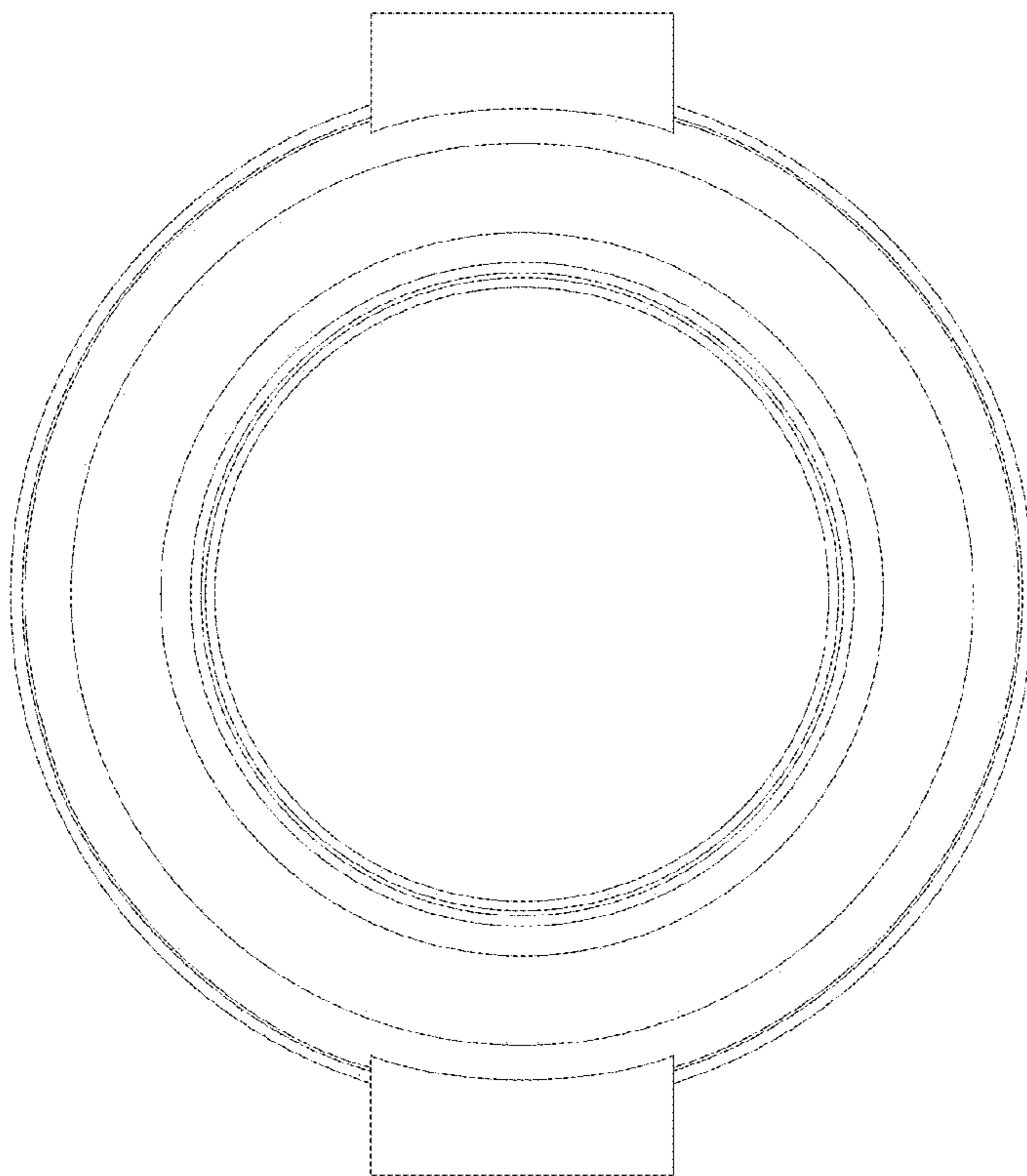


FIG. 2

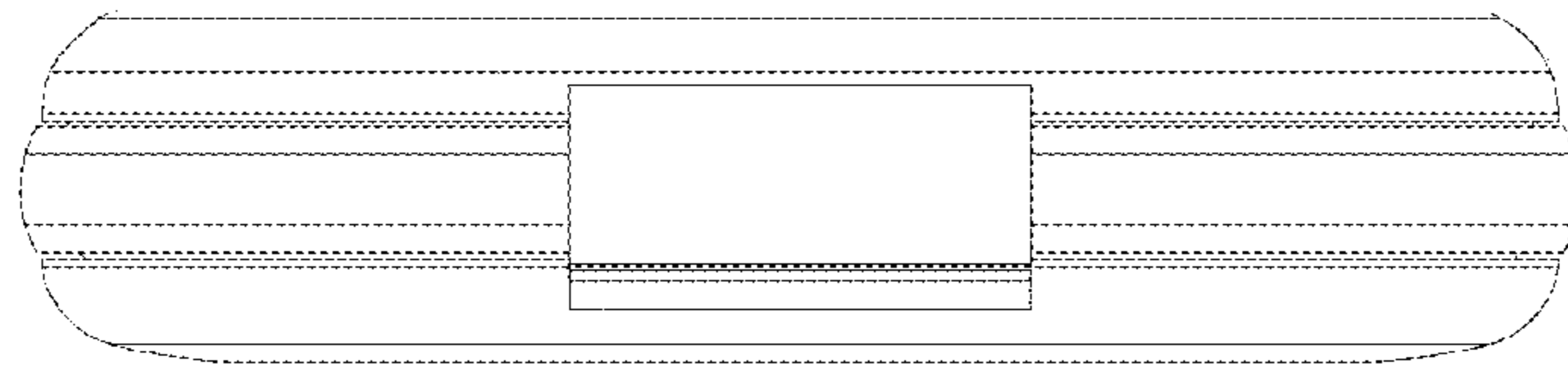


FIG. 3

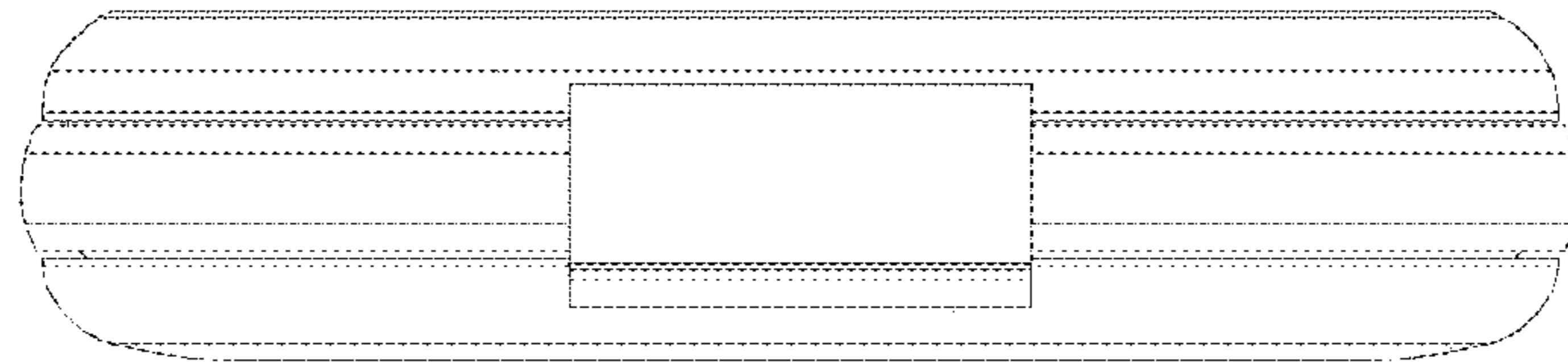


FIG. 4

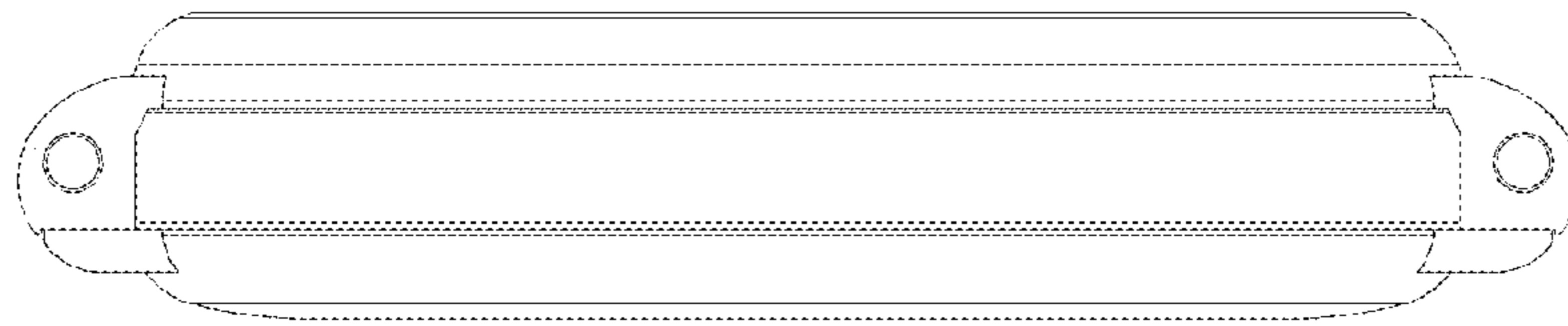


FIG. 5

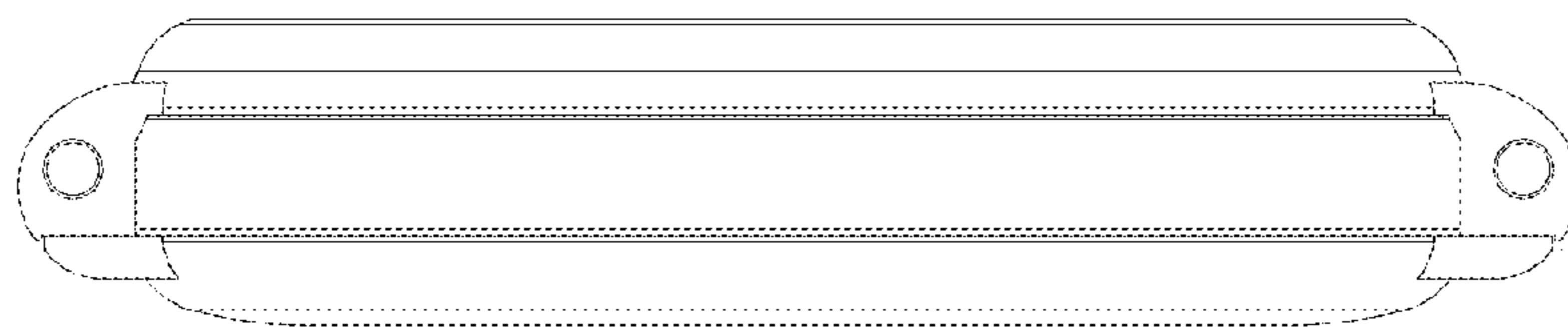


FIG. 6

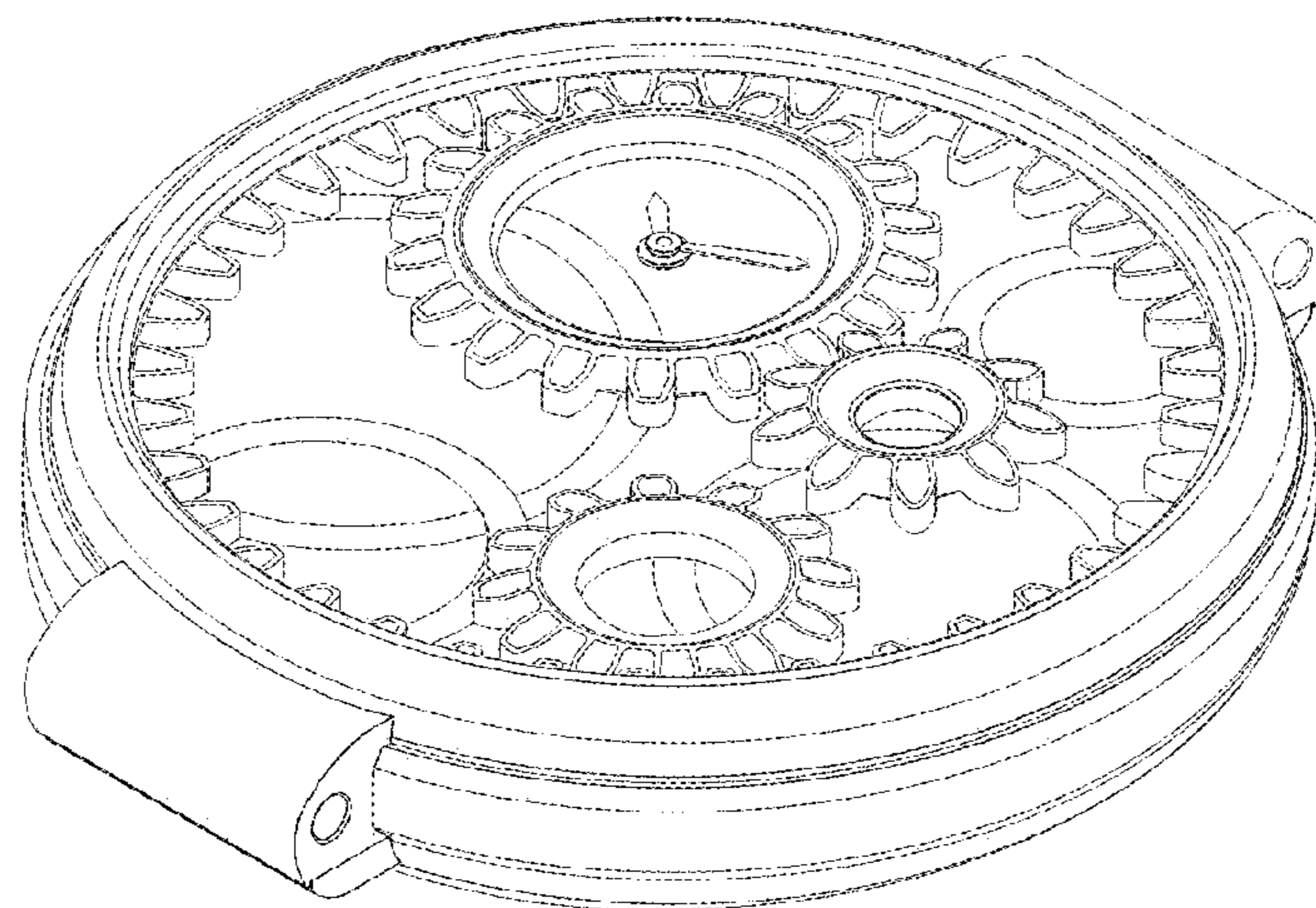


FIG. 7