



US00D679597S

(12) **United States Design Patent**
Tamarindo

(10) **Patent No.:** **US D679,597 S**

(45) **Date of Patent:** **** Apr. 9, 2013**

- (54) **CAP**
- (75) Inventor: **Stefano Tamarindo**, Alessandria (IT)
- (73) Assignee: **Guala Pack S.p.A.**, Alessandria (IT)
- (**) Term: **14 Years**
- (21) Appl. No.: **29/399,571**
- (22) Filed: **Aug. 16, 2011**

D445,679 S *	7/2001	Malmborg	D9/434
D520,874 S *	5/2006	Gross et al.	D9/452
D547,657 S *	7/2007	Tacchella	D9/454
D566,640 S *	4/2008	Holz et al.	D12/197
D588,870 S *	3/2009	Rasmussen	D7/398
D610,456 S *	2/2010	Rognard	D9/452
D637,080 S *	5/2011	Brooks	D9/452
D637,907 S *	5/2011	Maxa et al.	D9/452
D657,244 S *	4/2012	Priebe et al.	D9/452
8,205,761 B2 *	6/2012	Stull et al.	215/220

* cited by examiner

(30) **Foreign Application Priority Data**

Feb. 18, 2011 (IT) BS2011O0003

- (51) **LOC (9) Cl.** **09-07**
- (52) **U.S. Cl.** **D9/452; D9/453; D9/443**
- (58) **Field of Classification Search** D9/708,
D9/709, 710, 454, 453, 452, 449, 443, 435,
D9/434; D7/391; 220/281; 215/271, 253,
215/222, 220; 138/96 R
See application file for complete search history.

(56) **References Cited**

U.S. PATENT DOCUMENTS

1,981,414 A *	11/1934	Hermani	215/334
D204,961 S *	5/1966	Kossnai	D9/429
D209,788 S *	1/1968	Cheladze	D9/452
D301,690 S *	6/1989	Mobberley	D9/452

Primary Examiner — Susan Bennett Hattan

(74) *Attorney, Agent, or Firm* — Harness, Dickey & Pierce, PLC

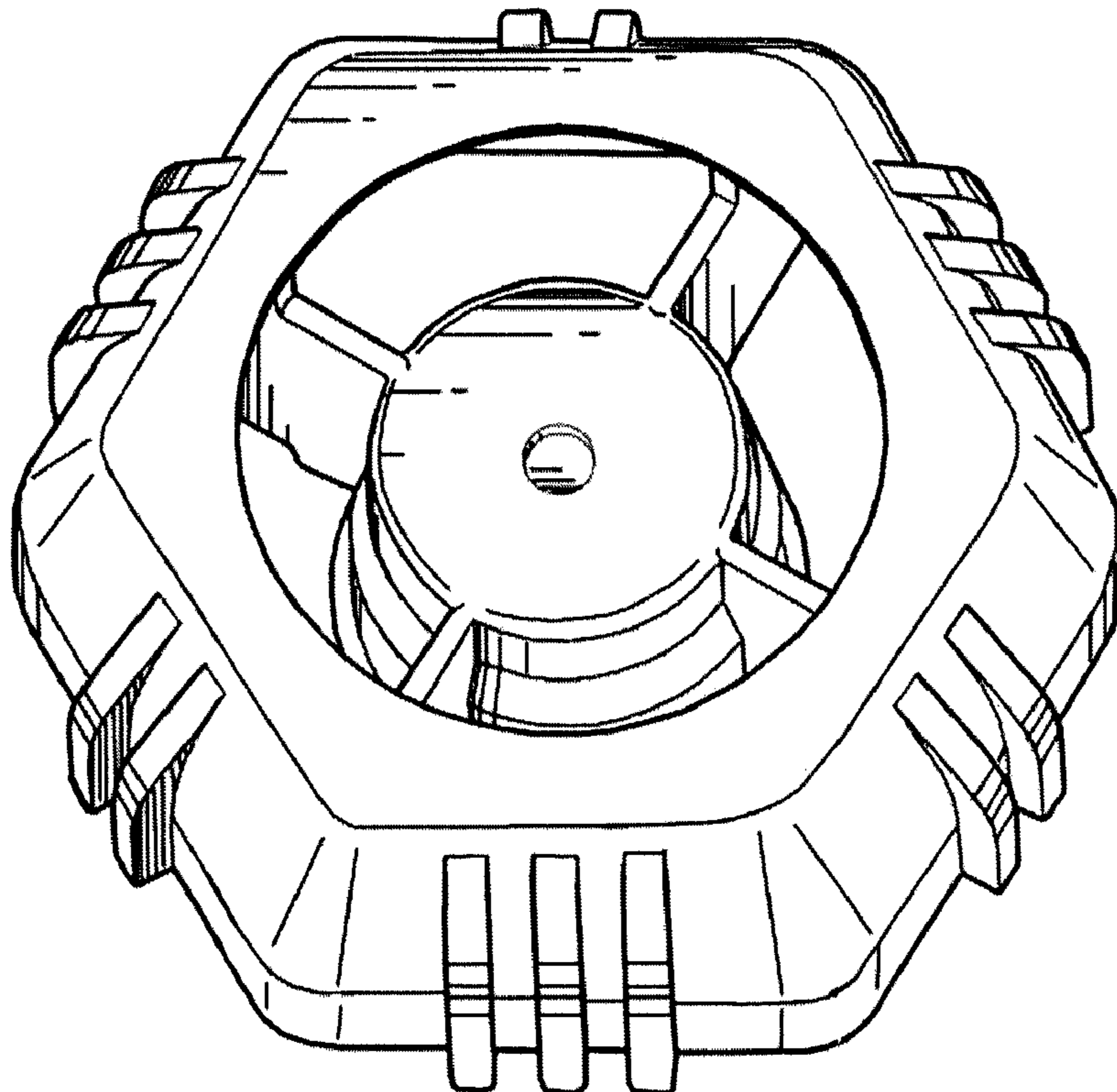
(57) **CLAIM**

The ornamental design for a cap, as shown.

DESCRIPTION

FIG. 1 is a top perspective view of the new design for a cap;
 FIG. 2 is a top plane view of the cap shown in FIG. 1;
 FIG. 3 is a bottom plane view of the cap shown in FIG. 1;
 FIG. 4 is a front elevational view of the cap shown in FIG. 1;
 FIG. 5 is a rear elevational view of the cap shown in FIG. 1;
 FIG. 6 is a right side elevational view of the cap shown in FIG. 1; and,
 FIG. 7 is a left side elevational view of the cap shown in FIG. 1.

1 Claim, 7 Drawing Sheets



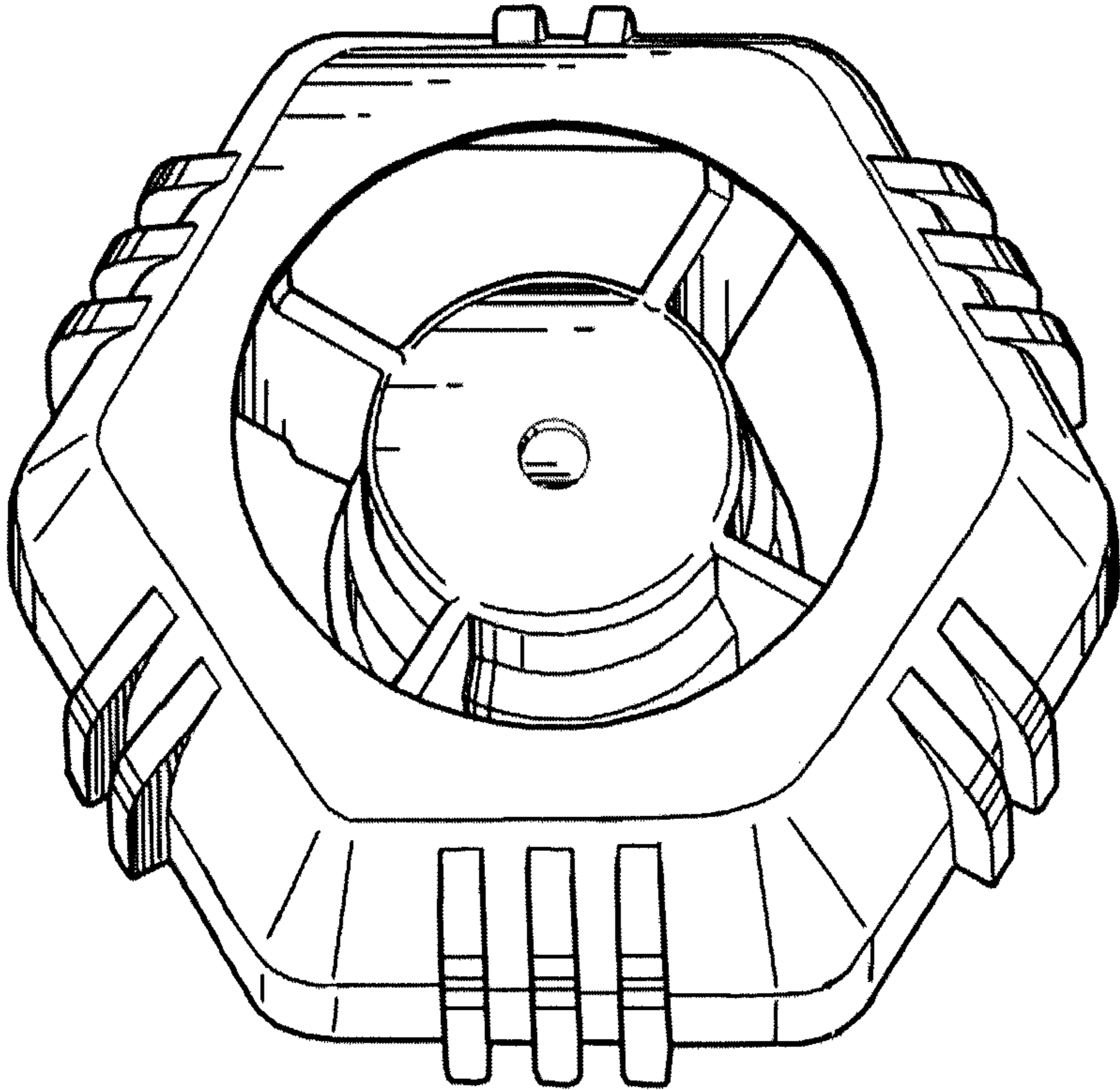


Fig. 1

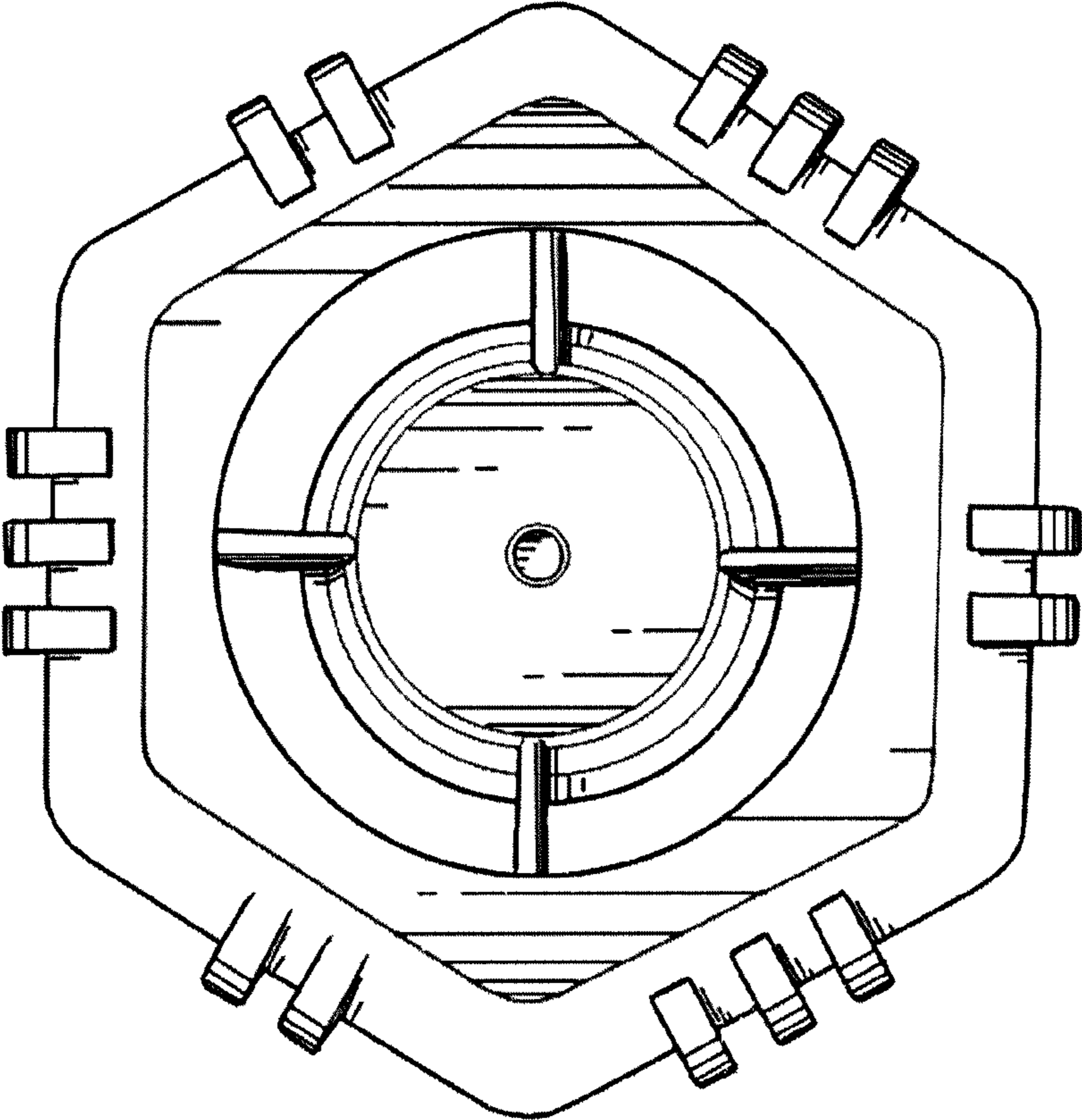


Fig. 2

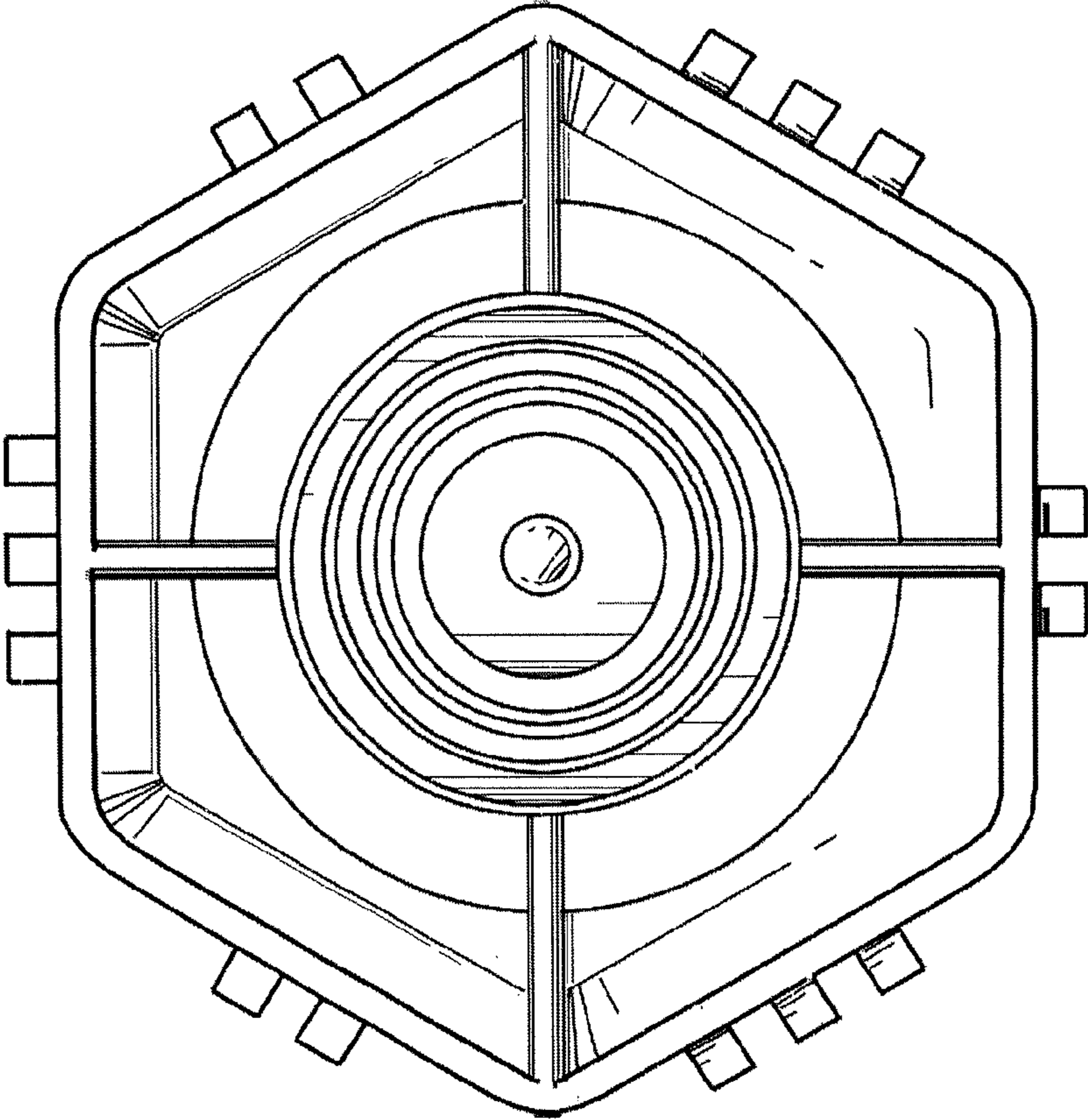


Fig. 3

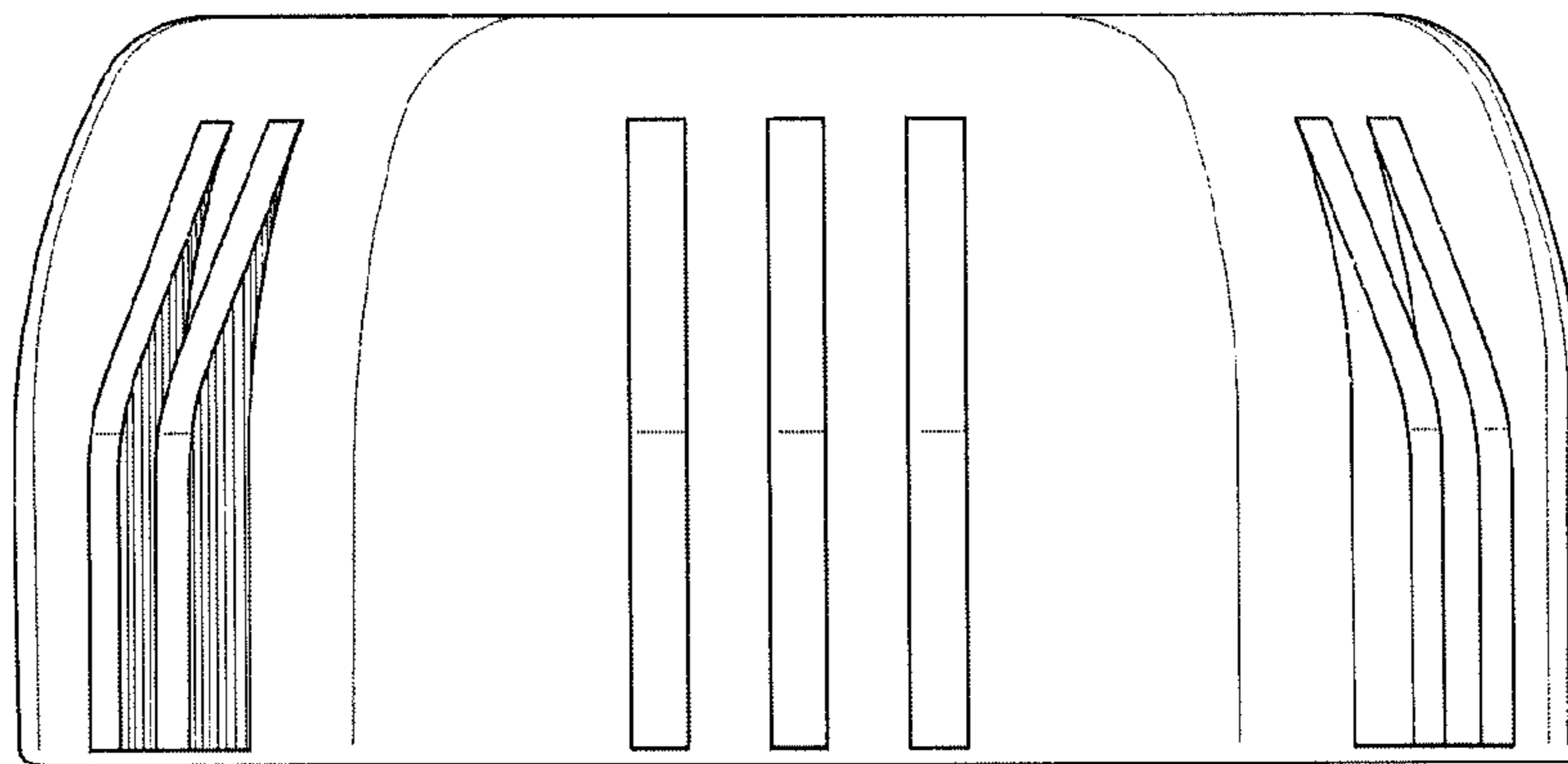


Fig. 4

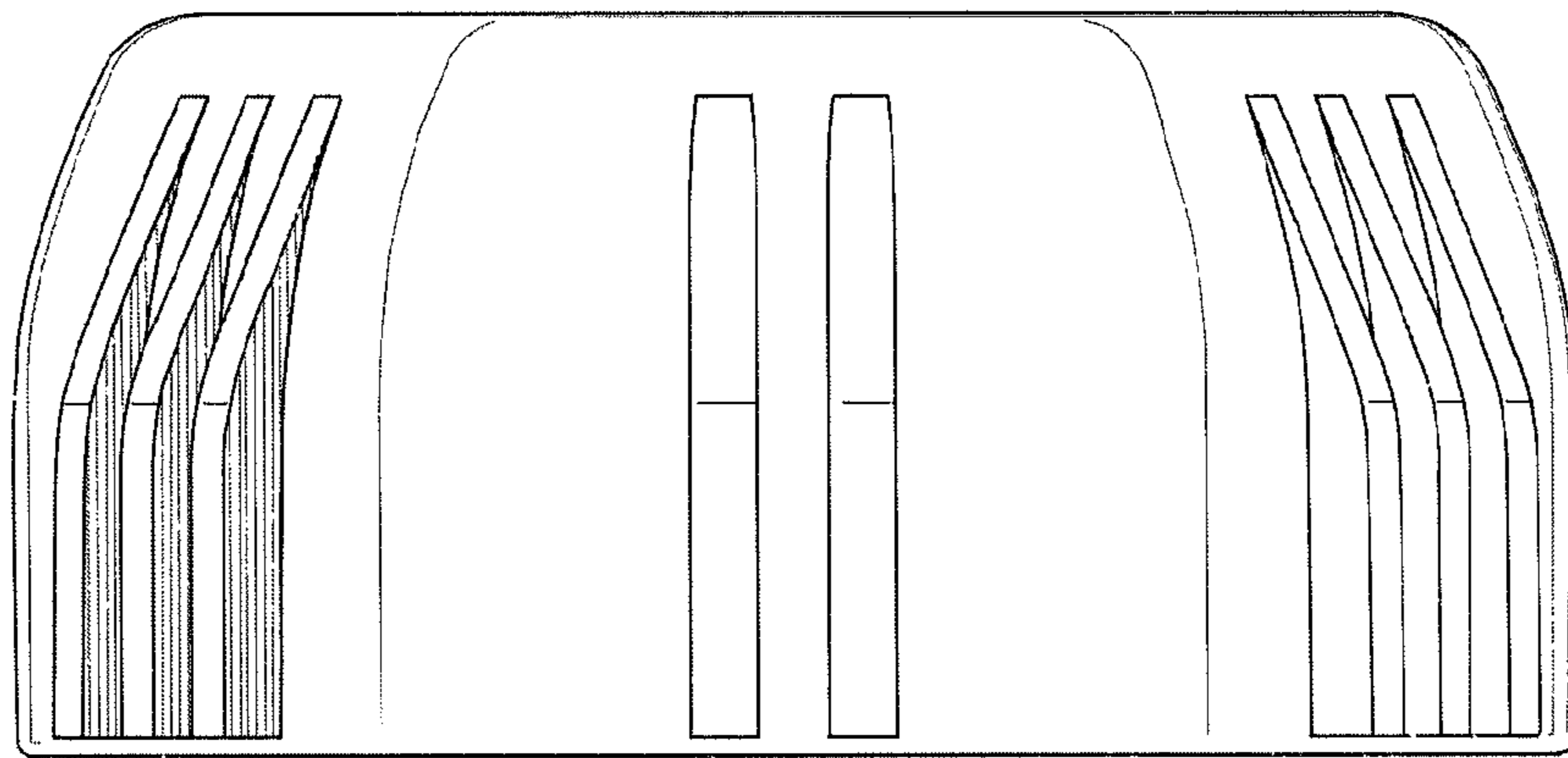


Fig. 5

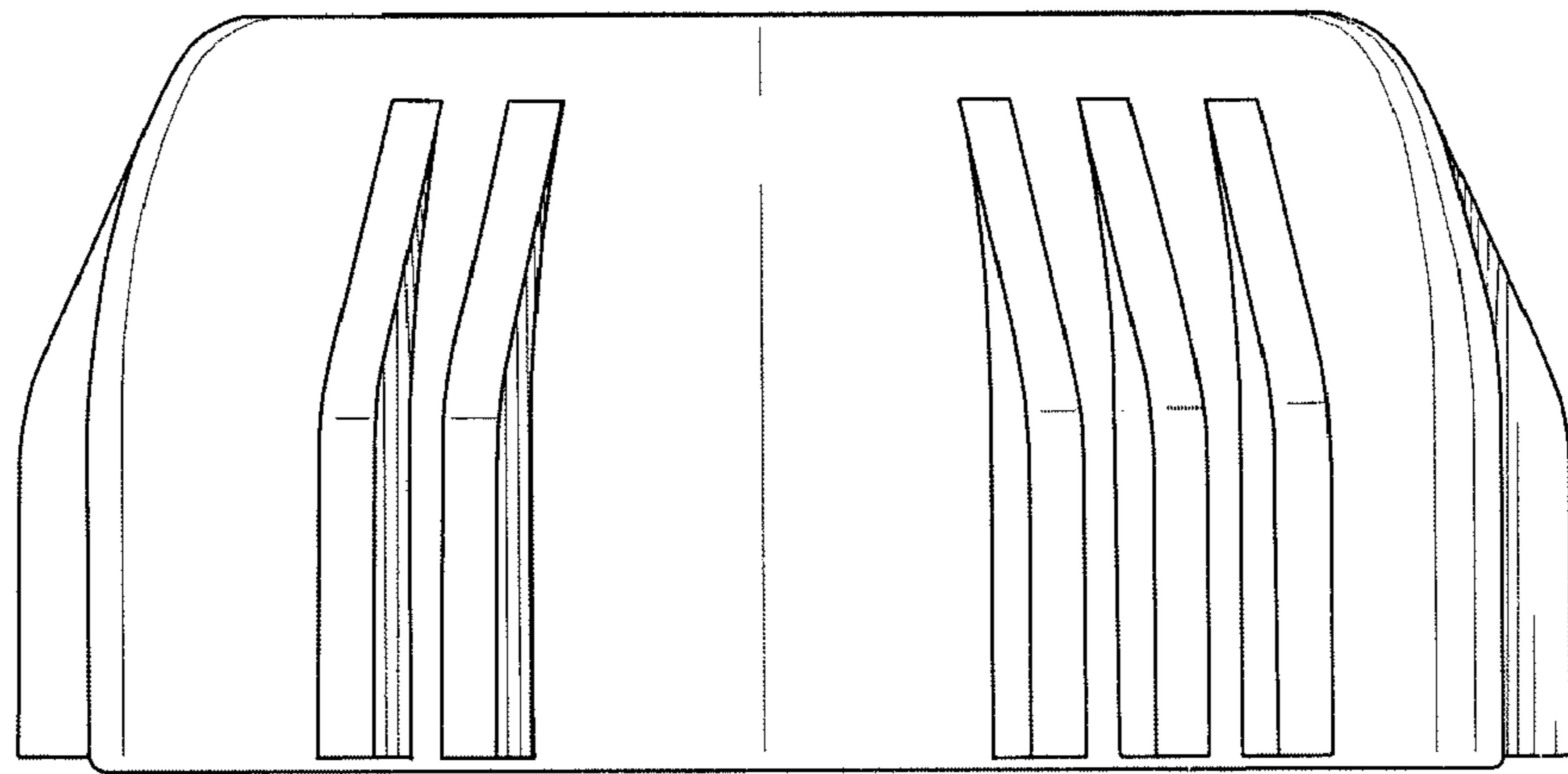


Fig. 6

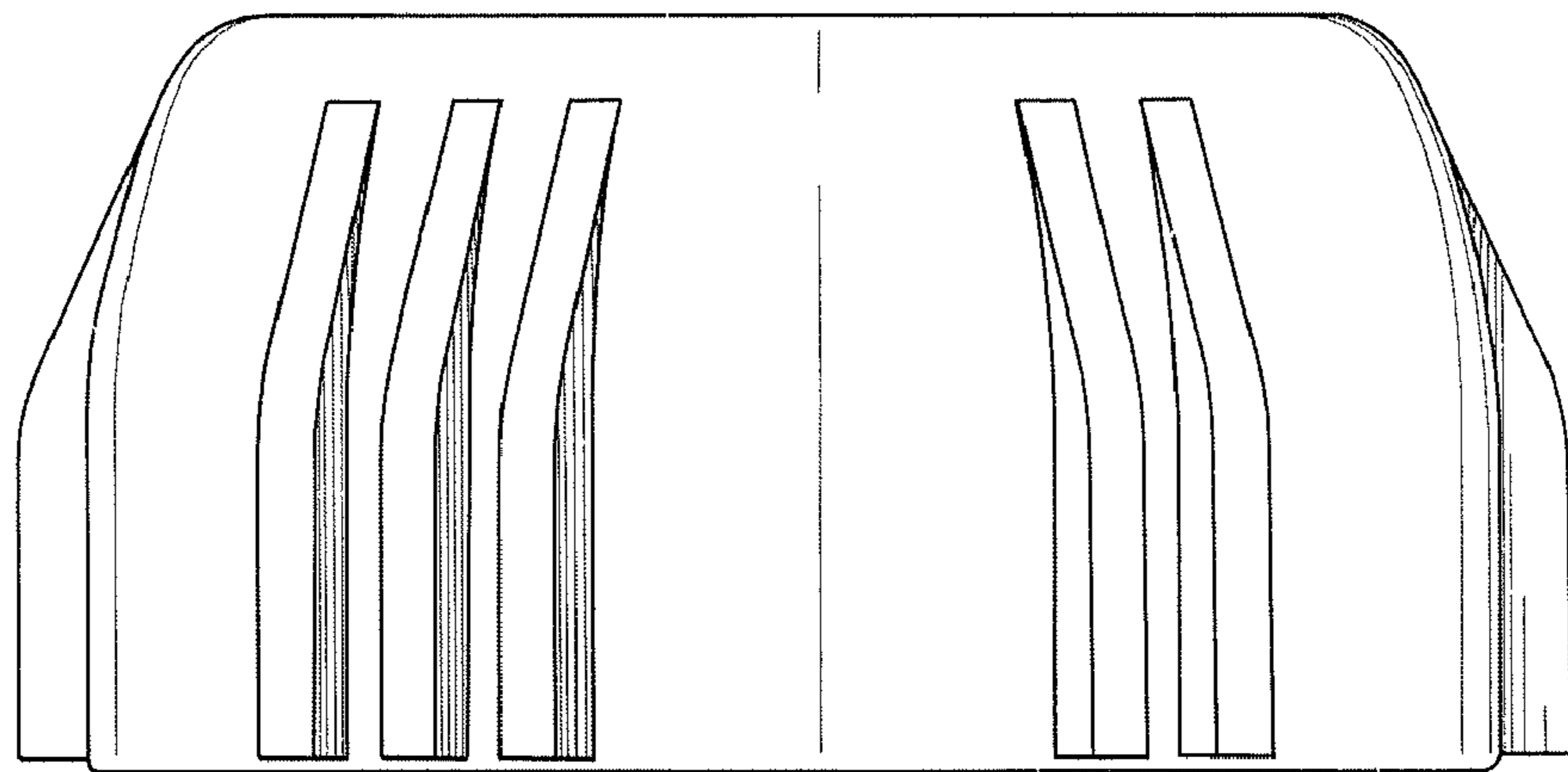


Fig. 7