



US00D679596S

(12) **United States Design Patent**  
**Stull, Sr. et al.**

(10) **Patent No.:** **US D679,596 S**  
(45) **Date of Patent:** **\*\* Apr. 9, 2013**

(54) **LIGHTWEIGHT CLOSURE WITH CATHEDRAL SLOTTED SIDE OPENINGS**

(75) Inventors: **Gene Stull, Sr.**, Far Hills, NJ (US);  
**Gene Stull, Jr.**, Gladstone, NJ (US);  
**Jason Wesley Stull**, Morristown, NJ (US);  
**Mark Russo**, Morristown, NJ (US);  
**Robert Thomas Auer**, East Stroudsburg, PA (US);  
**Lino Gabriel Ferri**, Middletown, NJ (US)

(73) Assignee: **Stull Technologies, Inc.**, Somerset, NJ (US)

(\*\*) Term: **14 Years**

(21) Appl. No.: **29/390,257**

(22) Filed: **Apr. 21, 2011**

(51) **LOC (9) Cl.** ..... **09-07**

(52) **U.S. Cl.** ..... **D9/452; D9/453; D9/454**

(58) **Field of Classification Search** ..... D9/708,  
D9/709, 710, 454, 453, 452, 449, 443, 435,  
D9/434; D7/391; 220/281; 215/271, 253,  
215/222, 220; 138/96 R

See application file for complete search history.

(56) **References Cited**

**U.S. PATENT DOCUMENTS**

D93,650	S	*	10/1934	Fleisch	.....	D9/453
3,679,085	A		7/1972	Gach		
D290,323	S	*	6/1987	Weernink	.....	D7/511
D298,608	S		11/1988	Dewing		
D311,868	S		11/1990	Armstrong		
5,115,929	A		5/1992	Buono		
D327,849	S		7/1992	Armstrong		
5,197,616	A		3/1993	Buono		
D356,871	S		3/1995	Dunn		
D372,867	S		8/1996	Lambelet, Jr.		
5,579,934	A		12/1996	Buono		
5,908,125	A		6/1999	Opresco		
5,938,055	A	*	8/1999	Philips et al.	.....	215/222
D442,089	S		5/2001	Sadeghi et al.		
D443,513	S		6/2001	Goettner		
D445,679	S		7/2001	Malmborg		
6,296,130	B1		10/2001	Forsyth et al.		

D463,281	S	*	9/2002	Druitt	.....	D9/452
D464,434	S		10/2002	Morano		
D480,644	S		10/2003	Druitt		
6,789,497	B1		9/2004	Aiken		
D500,677	S	*	1/2005	Druitt	.....	D9/452
D510,523	S		10/2005	Pitman et al.		
D542,133	S	*	5/2007	Haber et al.	.....	D9/453
D544,348	S		6/2007	Szczesniak		
D561,587	S		2/2008	Lin		
D563,560	S		3/2008	Copeland		
D574,239	S		8/2008	Lin		
D578,889	S		10/2008	Sadiq		
D592,954	S		5/2009	Capretta et al.		
D606,401	S	*	12/2009	Kamath et al.	.....	D9/453
D613,162	S	*	4/2010	Druitt	.....	D9/453
D616,745	S		6/2010	Stull et al.		
D616,746	S		6/2010	Stull et al.		
D616,747	S		6/2010	Stull et al.		
D617,191	S		6/2010	Stull et al.		
8,205,761	B2	*	6/2012	Stull et al.	.....	215/220
2010/0126996	A1	*	5/2010	Ferri et al.	.....	220/281
2010/0126997	A1	*	5/2010	Stull et al.	.....	220/281

\* cited by examiner

*Primary Examiner* — Susan Bennett Hattan

(74) *Attorney, Agent, or Firm* — Drinker Biddle & Reath LLP

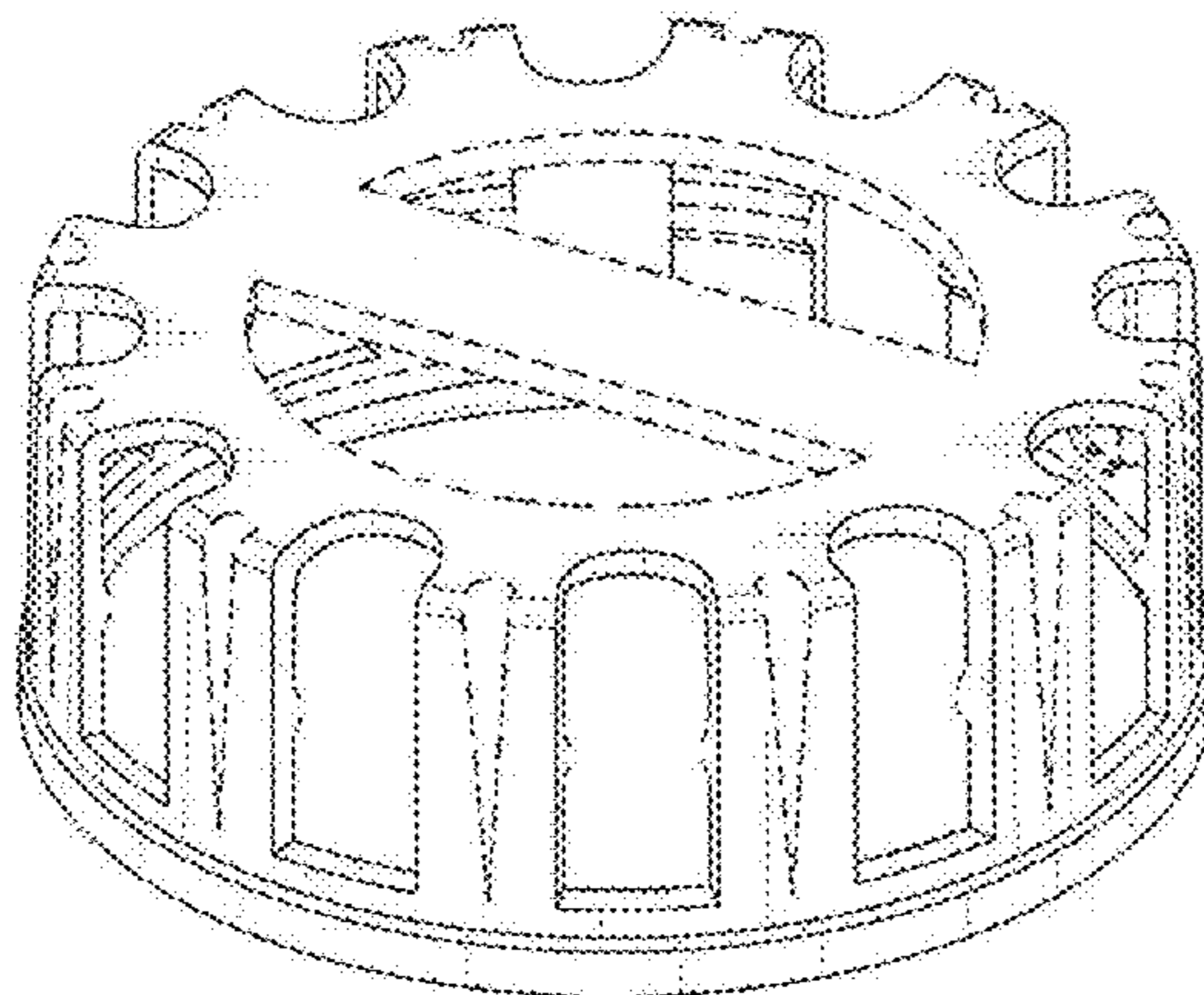
(57) **CLAIM**

The ornamental design for a lightweight closure with cathedral slotted side openings, as shown and described.

**DESCRIPTION**

FIG. 1 is an isometric view of a lightweight closure with cathedral slotted side openings according to our new design. FIG. 2 is a top view of the lightweight closure with cathedral slotted side openings of FIG. 1. FIG. 3 is a bottom view of the lightweight closure with cathedral slotted side openings of FIG. 1; and, FIG. 4 is a right side view of the lightweight closure with cathedral slotted side openings of FIG. 1; the left side, front view and back view are all mirror images. The portions of the drawings appearing in broken lines are for environment only and do not form a part of the claimed design.

**1 Claim, 3 Drawing Sheets**



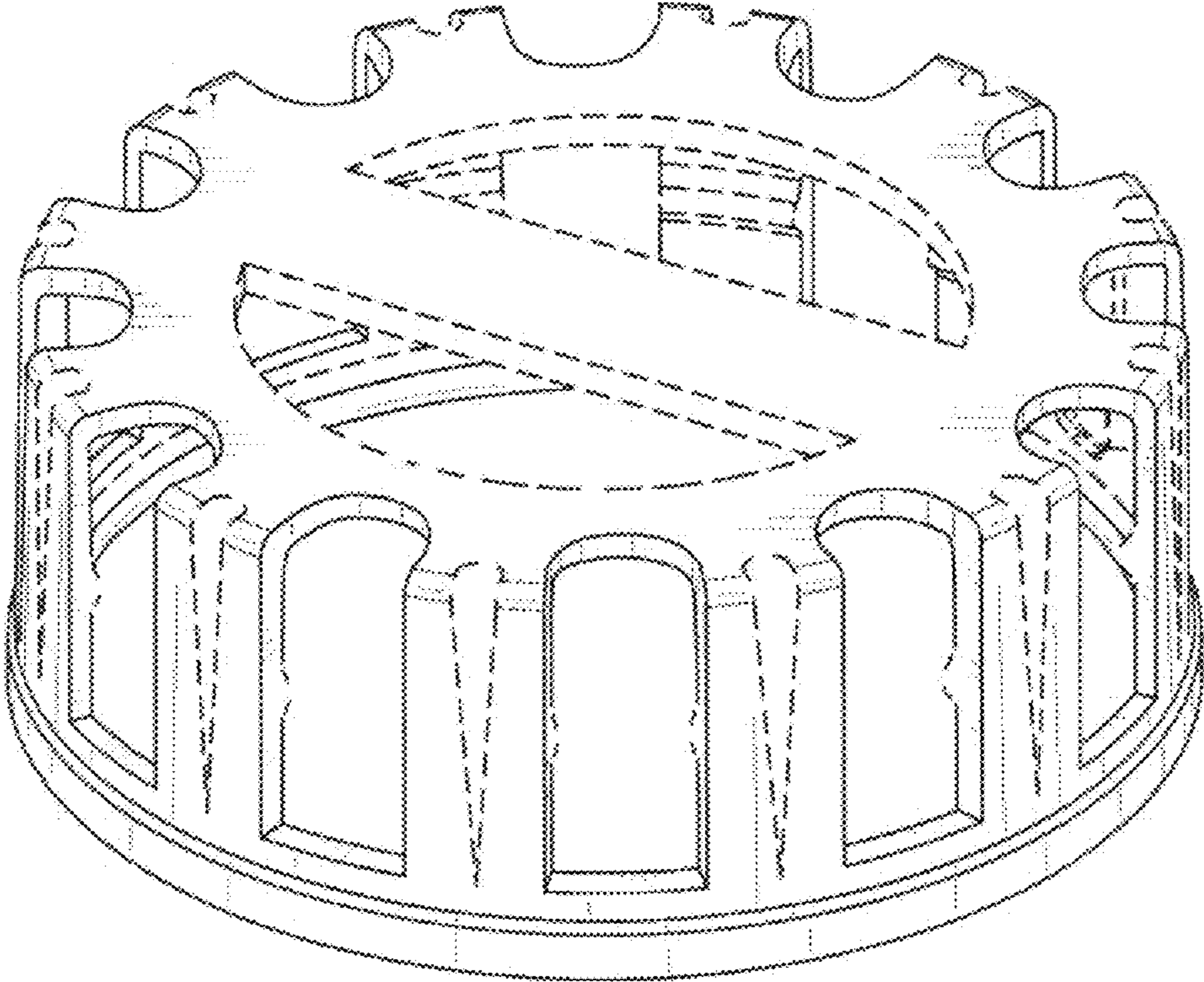


FIG. 1

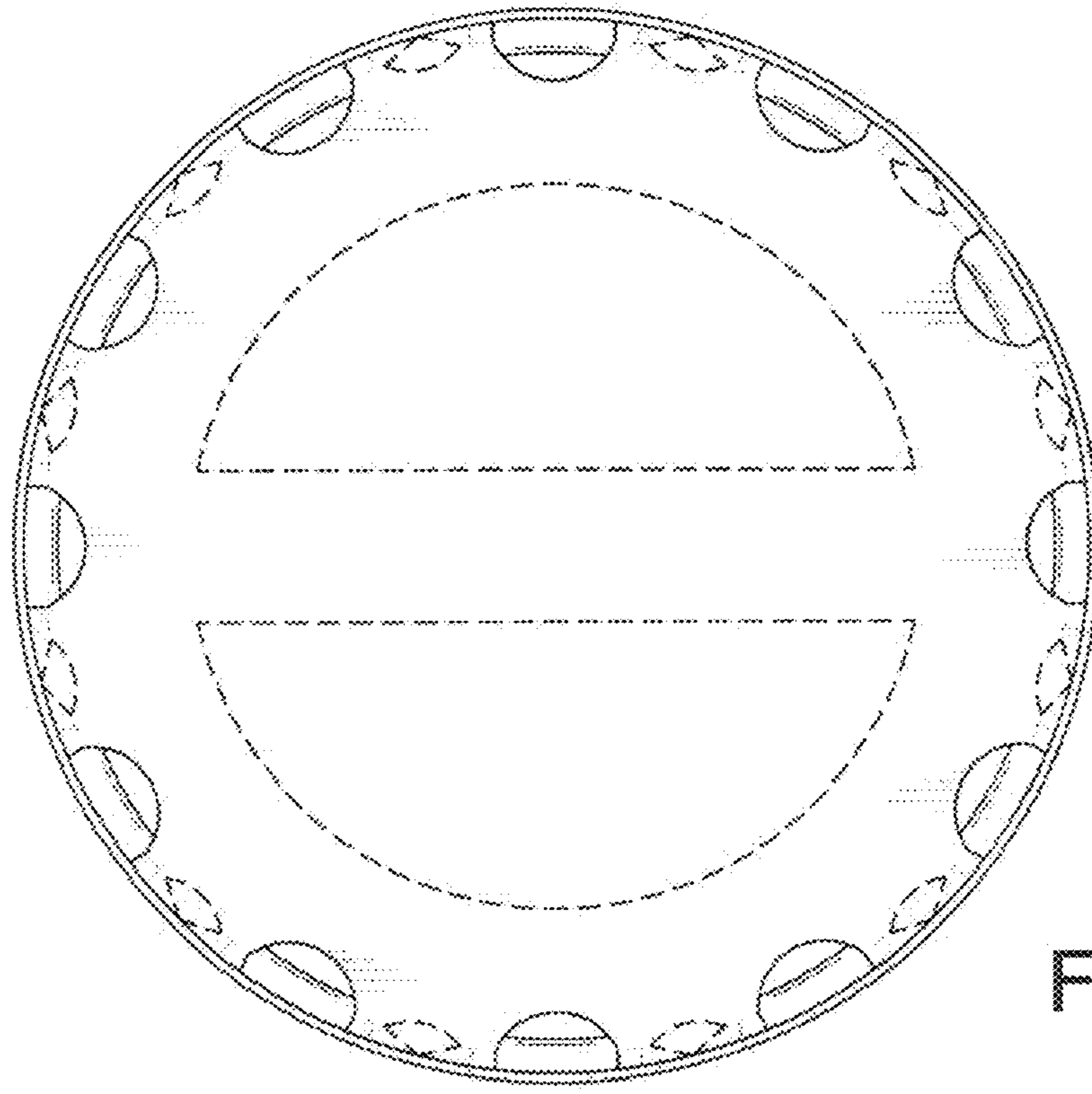


FIG. 2

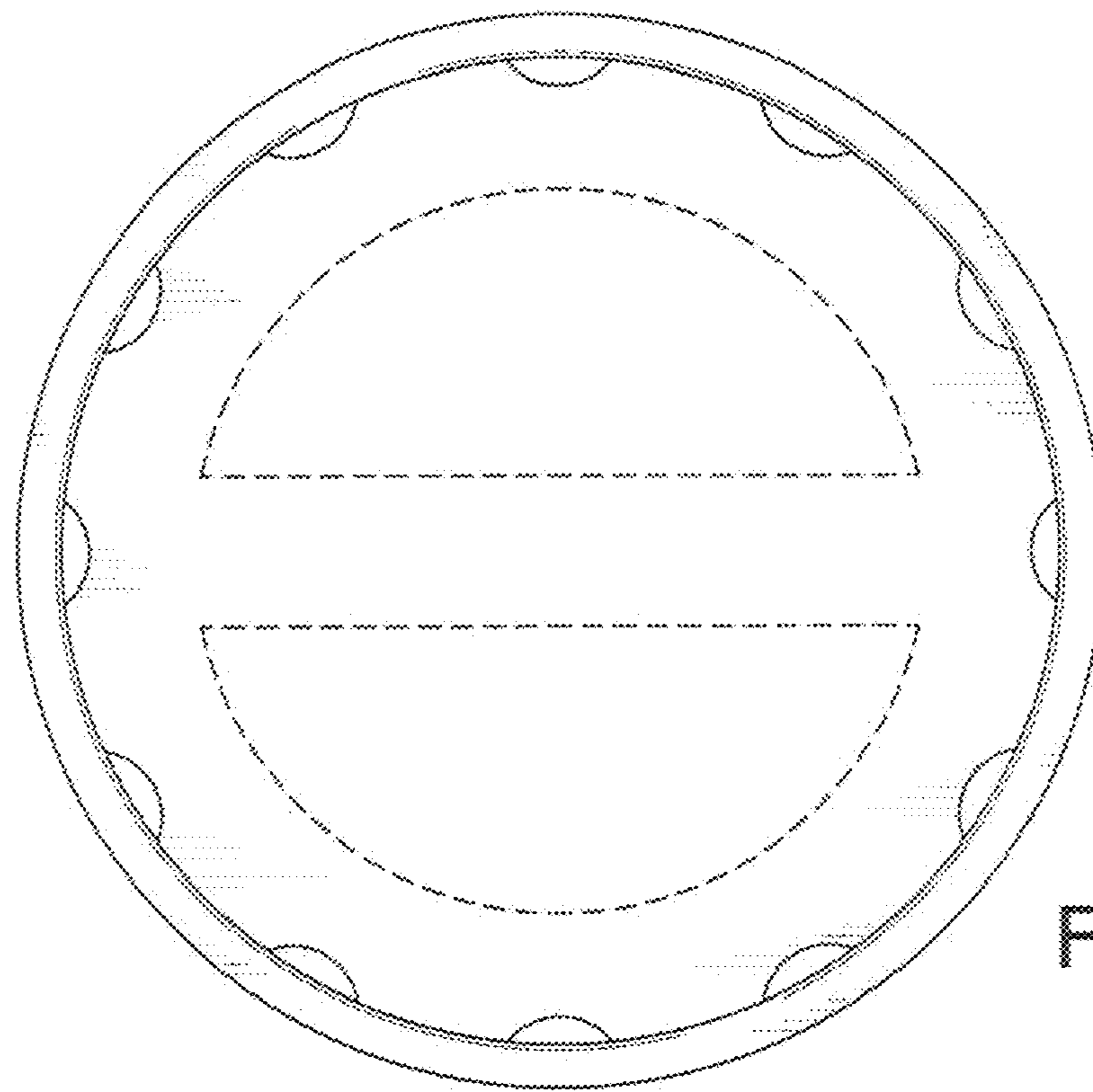


FIG. 3

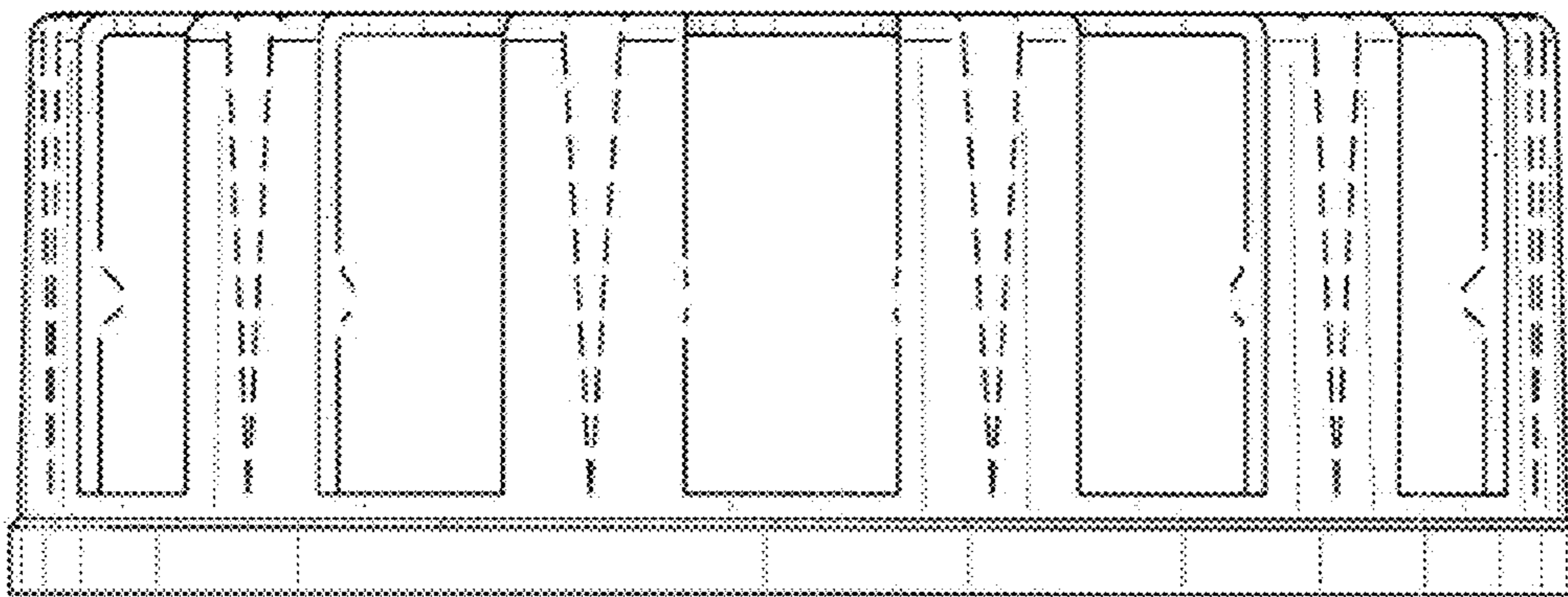


FIG. 4