



US00D679595S

(12) **United States Design Patent**
Stull, Sr. et al.

(10) **Patent No.:** **US D679,595 S**
(45) **Date of Patent:** **** Apr. 9, 2013**

(54) **LIGHTWEIGHT CLOSURE WITH A CROSS BAR TOP**

(75) Inventors: **Gene Stull, Sr.**, Far Hills, NJ (US);
Gene Stull, Jr., Gladstone, NJ (US);
Jason Wesley Stull, Morristown, NJ (US);
Mark Russo, Morristown, NJ (US);
Robert Thomas Auer, East Stroudsburg, PA (US);
Lino Gabriel Ferri, Middletown, NJ (US)

(73) Assignee: **Stull Technologies, Inc.**, Somerset, NJ (US)

(**) Term: **14 Years**

(21) Appl. No.: **29/390,256**

(22) Filed: **Apr. 21, 2011**

(51) **LOC (9) Cl.** **09-07**

(52) **U.S. Cl.** **D9/452; D9/453; D9/454**

(58) **Field of Classification Search** D9/708,
D9/709, 710, 454, 453, 452, 449, 443, 435,
D9/434; D7/391; 220/281; 215/271, 253,
215/222, 220; 138/96 R

See application file for complete search history.

6,296,130 B1 10/2001 Forsyth et al.
D463,281 S * 9/2002 Druitt D9/452
D464,434 S 10/2002 Morano
D480,644 S 10/2003 Druitt
6,789,497 B1 9/2004 Aiken
D500,677 S * 1/2005 Druitt D9/452
D510,523 S 10/2005 Pitman et al.
D542,133 S * 5/2007 Haber et al. D9/453
D544,348 S 6/2007 Szczesniak
D561,587 S 2/2008 Lin
D563,560 S 3/2008 Copeland
D574,239 S 8/2008 Lin
D578,889 S 10/2008 Sadiq
D592,954 S 5/2009 Capretta et al.
D613,162 S * 4/2010 Druitt D9/453
D616,745 S 6/2010 Stull et al.
D616,746 S 6/2010 Stull et al.
D616,747 S 6/2010 Stull et al.
D617,191 S 6/2010 Stull et al.
8,205,761 B2 * 6/2012 Stull et al. 215/220
2010/0126996 A1 * 5/2010 Ferri et al. 220/281
2010/0126997 A1 * 5/2010 Stull et al. 220/281

* cited by examiner

Primary Examiner — Susan Bennett Hattan

(74) *Attorney, Agent, or Firm* — Drinker Biddle & Reath LLP

(56) **References Cited**

U.S. PATENT DOCUMENTS

D93,650 S * 10/1934 Fleisch D9/453
3,679,085 A 7/1972 Gach
D290,323 S * 6/1987 Weernink D7/511
D298,608 S 11/1988 Dewing
D311,868 S 11/1990 Armstrong
D320,562 S * 10/1991 Brester et al. D9/452
5,115,929 A 5/1992 Buono
D327,849 S 7/1992 Armstrong
D332,379 S * 1/1993 Murphy D7/391
5,197,616 A 3/1993 Buono
D356,871 S 3/1995 Dunn
D372,867 S 8/1996 Lambelet, Jr.
5,579,934 A 12/1996 Buono
D394,184 S * 5/1998 Demore D7/391
5,908,125 A 6/1999 Opresco
5,938,055 A * 8/1999 Philips et al. 215/222
D442,089 S 5/2001 Sadeghi et al.
D443,513 S 6/2001 Goettner
D445,679 S 7/2001 Malmborg

(57) **CLAIM**

The ornamental design for a lightweight closure with a cross bar top, as shown and described.

DESCRIPTION

FIG. 1 is an isometric view of a lightweight closure with a cross bar top according to our new design.

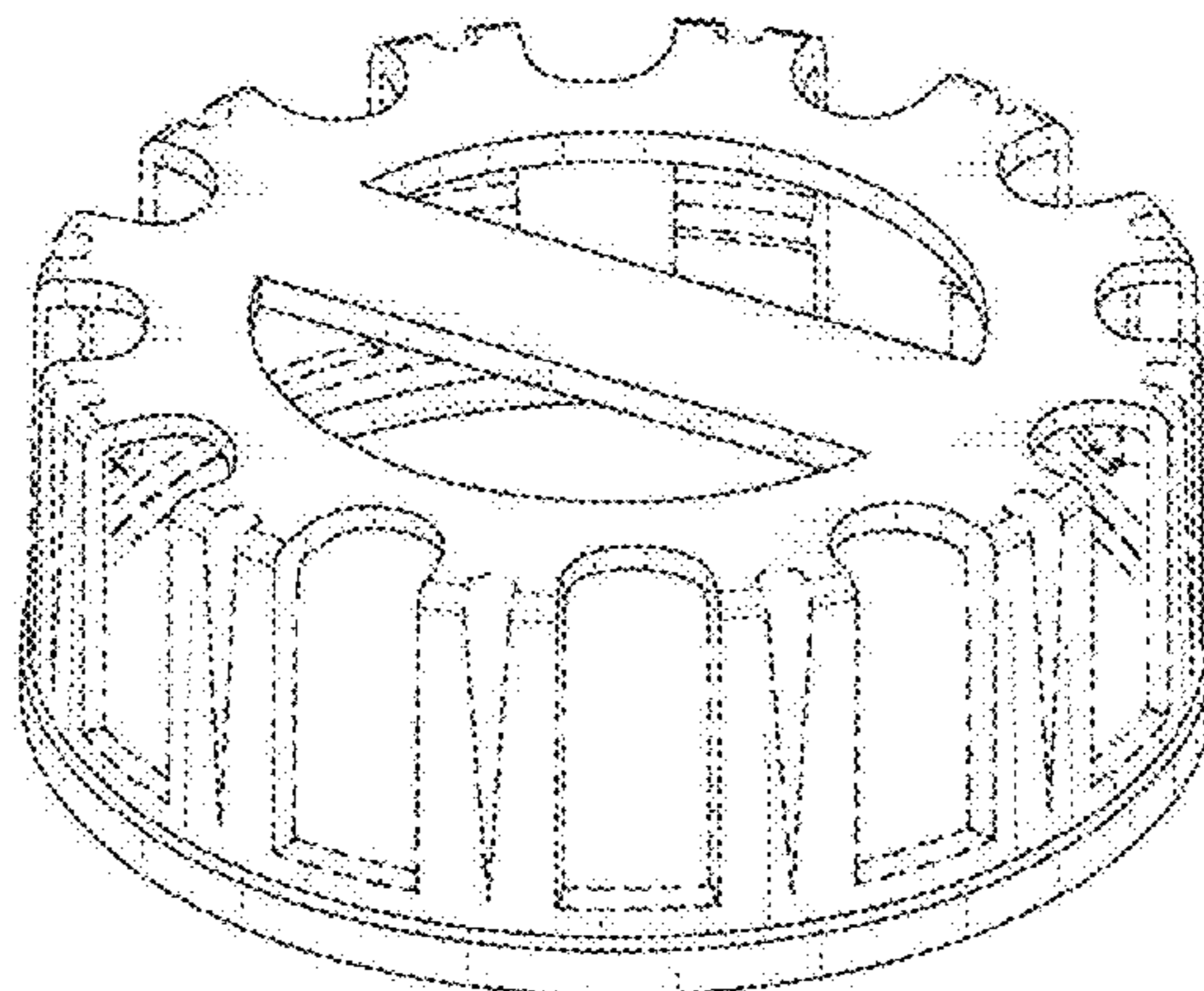
FIG. 2 is a top view of the lightweight closure with a cross bar top of FIG. 1.

FIG. 3 is a bottom view of the lightweight closure with a cross bar top of FIG. 1; and,

FIG. 4 is a right side view of the lightweight closure with a cross bar top of FIG. 1; the left side, front view and back view are all mirror images.

The portions of the drawings appearing in broken lines are for environment only and do not form a part of the claimed design.

1 Claim, 3 Drawing Sheets



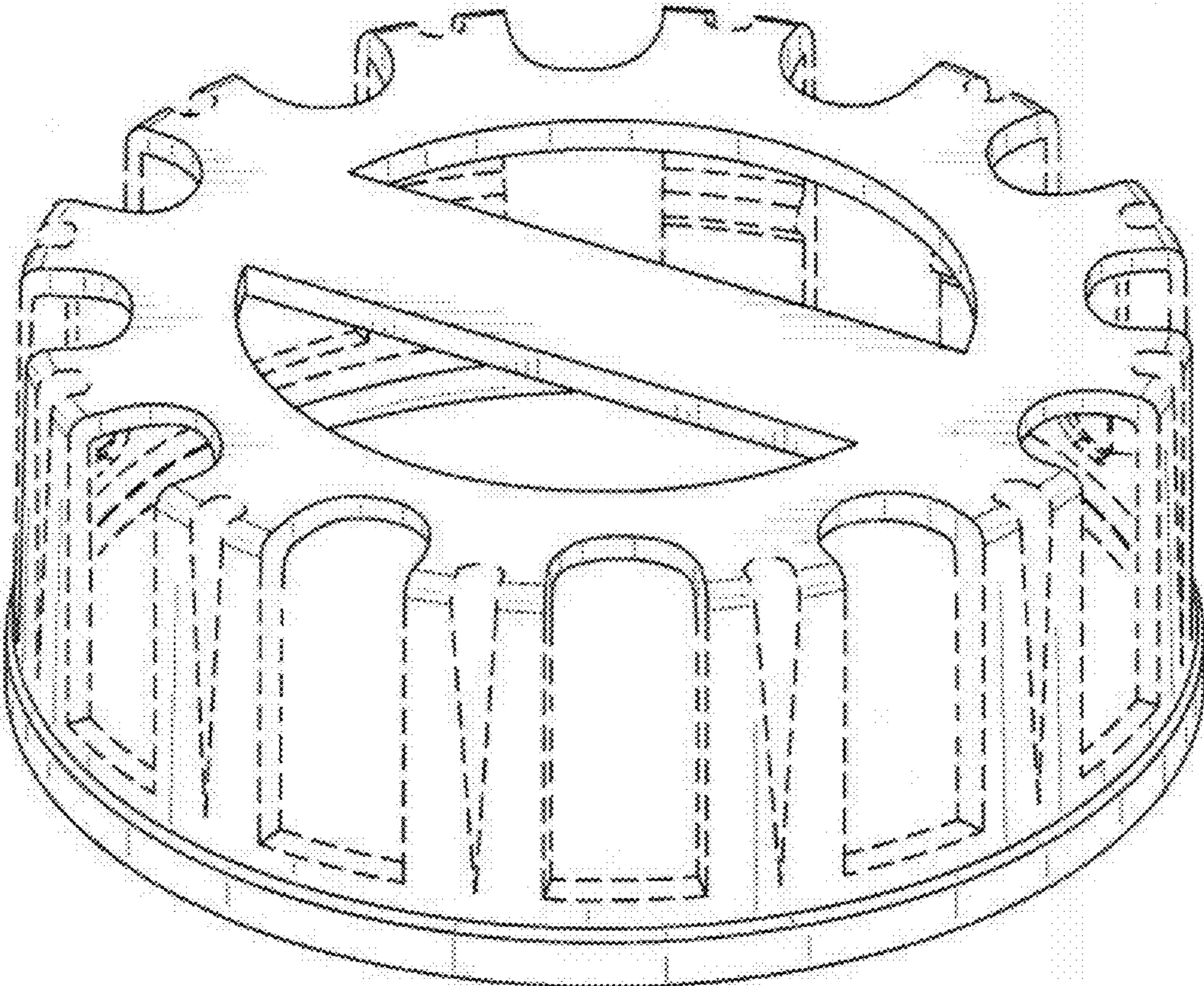


FIG. 1

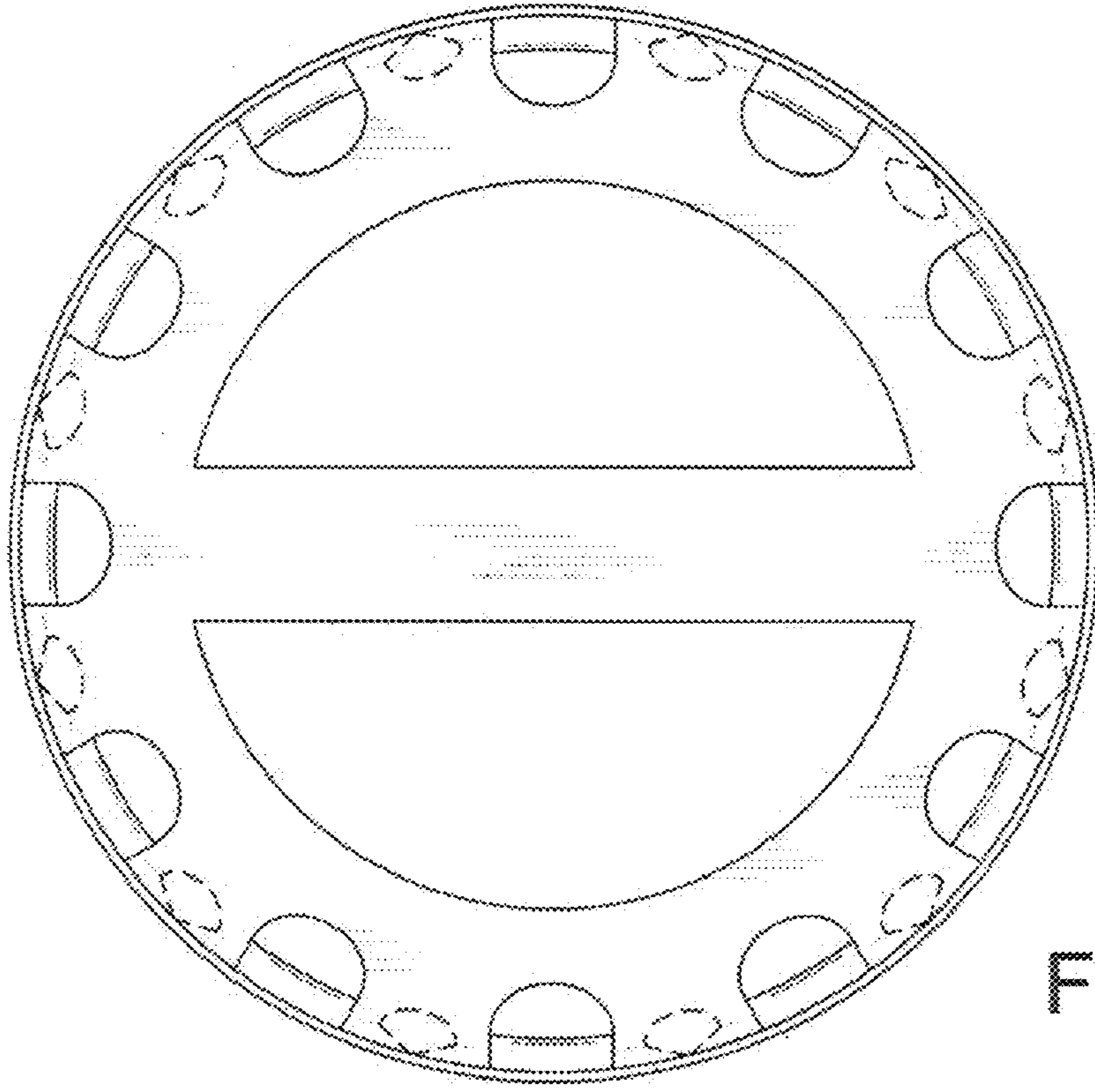


FIG. 2

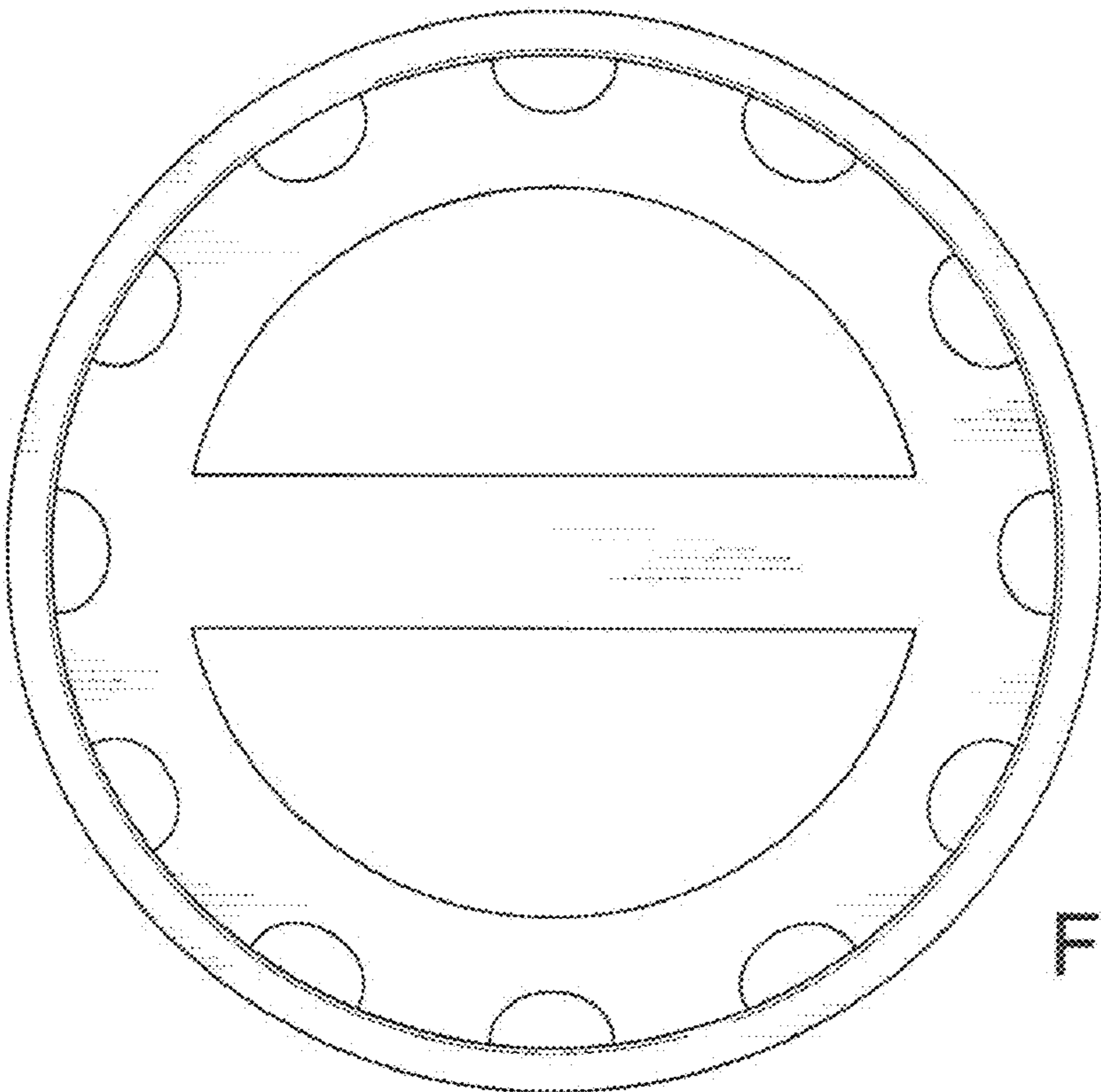


FIG. 3

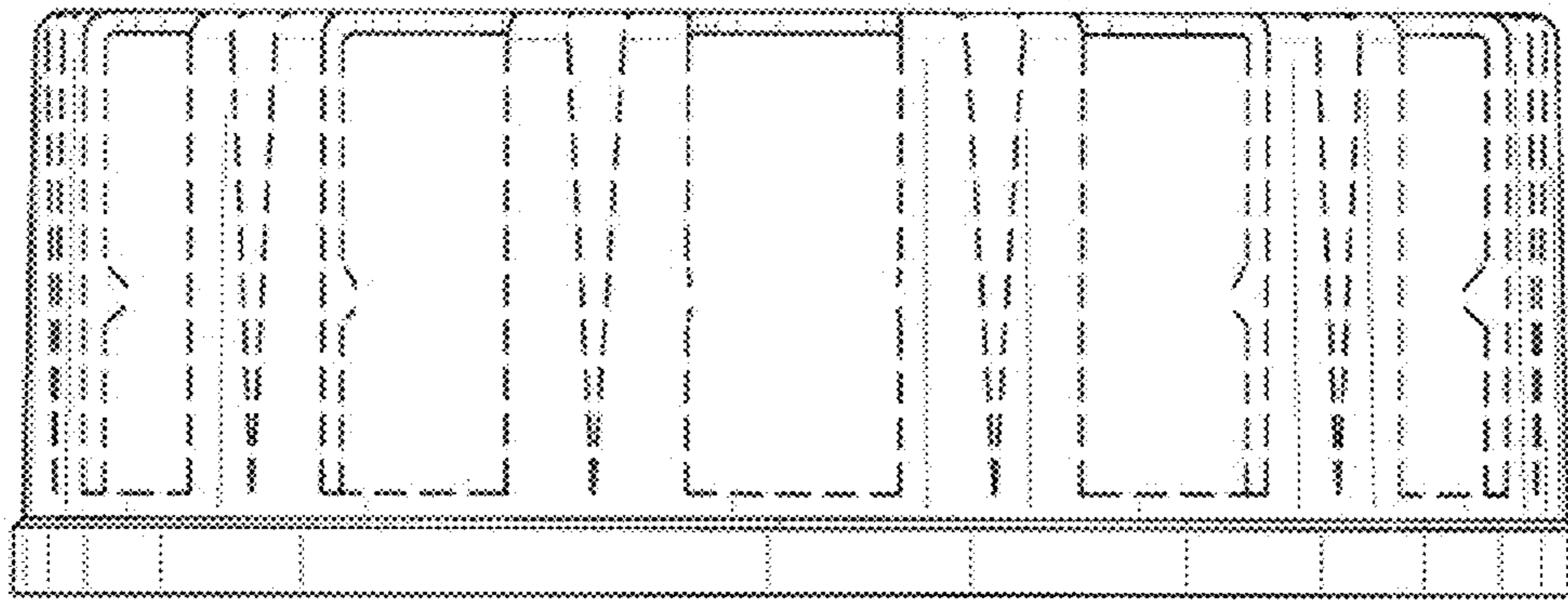


FIG. 4