



US00D679591S

(12) **United States Design Patent**
Stull, Sr. et al.

(10) **Patent No.:** **US D679,591 S**

(45) **Date of Patent:** **** Apr. 9, 2013**

(54) **LIGHTWEIGHT CLOSURE WITH ARROW SLOTTED SIDE OPENINGS**

(75) Inventors: **Gene Stull, Sr.**, Far Hills, NJ (US);
Gene Stull, Jr., Gladstone, NJ (US);
Jason Wesley Stull, Morristown, NJ (US);
Mark Russo, Morristown, NJ (US);
Robert Thomas Auer, East Stroudsburg, PA (US);
Lino Gabriel Ferri, Middletown, NJ (US)

(73) Assignee: **Stull Technologies, Inc.**, Somerset, NJ (US)

(**) Term: **14 Years**

(21) Appl. No.: **29/390,248**

(22) Filed: **Apr. 21, 2011**

(51) **LOC (9) Cl.** **09-07**

(52) **U.S. Cl.** **D9/452; D9/453; D9/454**

(58) **Field of Classification Search** D9/708,
D9/709, 710, 454, 453, 452, 449, 443, 435,
D9/434; D7/391; 220/281; 215/271, 253,
215/222, 220; 138/96 R

See application file for complete search history.

6,296,130 B1	10/2001	Forsyth et al.	
D464,434 S	10/2002	Morano	
D480,644 S	10/2003	Druitt	
6,789,497 B1	9/2004	Aiken	
D510,523 S	10/2005	Pitman et al.	
D544,348 S	6/2007	Szczesniak	
D561,587 S	2/2008	Lin	
D563,560 S	3/2008	Copeland	
D574,239 S	8/2008	Lin	
D578,889 S	10/2008	Sadiq	
D592,954 S	5/2009	Capretta et al.	
D616,745 S	6/2010	Stull et al.	
D616,746 S	6/2010	Stull et al.	
D616,747 S	6/2010	Stull et al.	
D617,191 S	6/2010	Stull et al.	
D661,184 S *	6/2012	Barrett et al.	D9/434
8,205,761 B2 *	6/2012	Stull et al.	215/220
2010/0126996 A1 *	5/2010	Ferri et al.	220/281
2010/0126997 A1 *	5/2010	Stull et al.	220/281

* cited by examiner

Primary Examiner — Susan Bennett Hattan

(74) *Attorney, Agent, or Firm* — Drinker Biddle & Reath LLP

(57) **CLAIM**

The ornamental design for a lightweight closure with arrow slotted side openings, as shown and described.

DESCRIPTION

FIG. 1 is an isometric view of a lightweight closure with arrow slotted side openings according to our new design.

FIG. 2 is a top view of the lightweight closure with arrow slotted side openings of FIG. 1.

FIG. 3 is a bottom view of the lightweight closure with arrow slotted side openings of FIG. 1; and,

FIG. 4 is a right side view of the lightweight closure with arrow slotted side openings of FIG. 1; the left side, front view and back view are all mirror images.

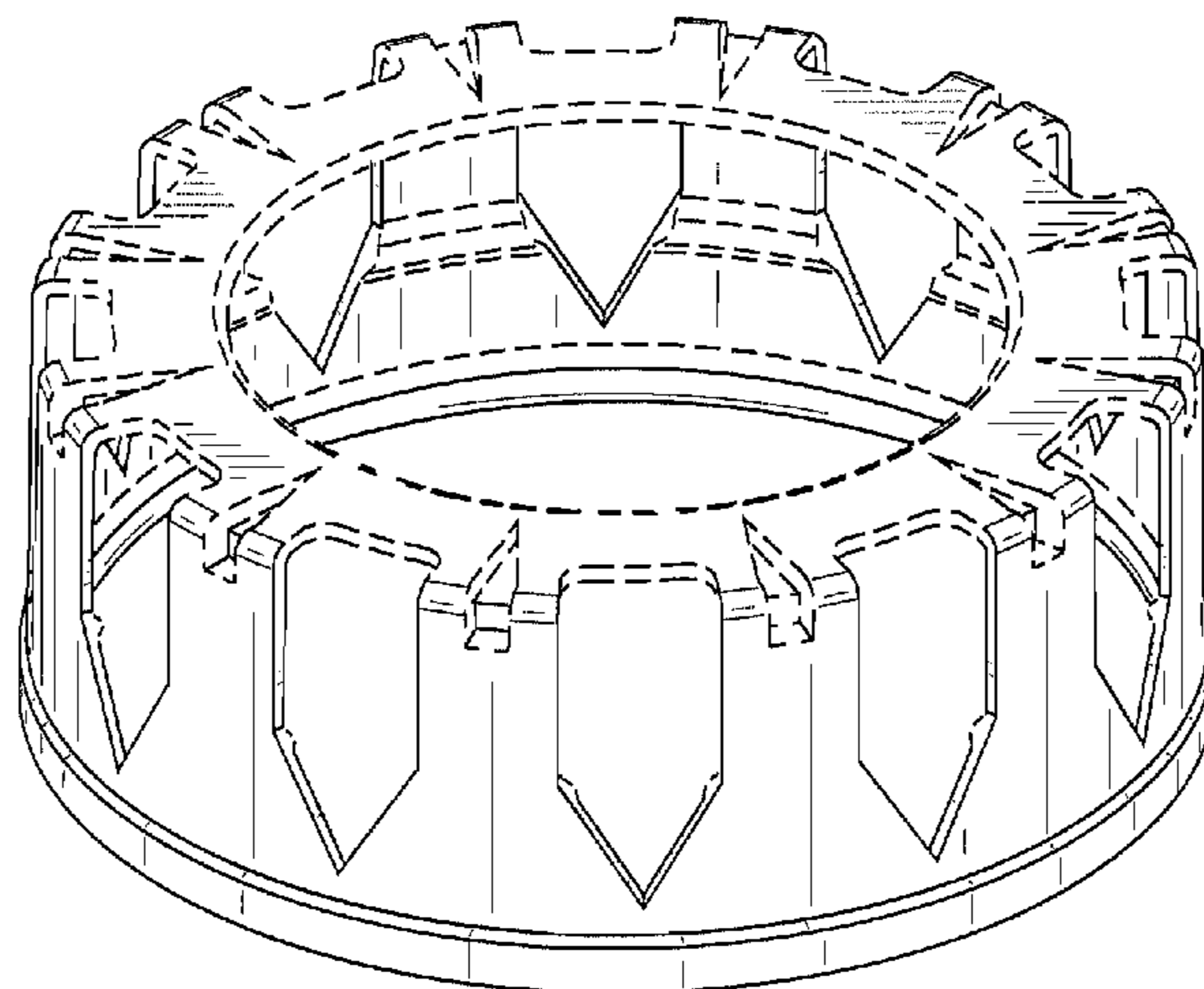
The portions of the drawings appearing in broken lines are for environment only and do not form a part of the claimed design.

1 Claim, 3 Drawing Sheets

(56) **References Cited**

U.S. PATENT DOCUMENTS

3,679,085 A	7/1972	Gach	
D298,608 S	11/1988	Dewing	
D311,868 S	11/1990	Armstrong	
5,115,929 A	5/1992	Buono	
D327,849 S	7/1992	Armstrong	
5,197,616 A	3/1993	Buono	
D356,871 S	3/1995	Dunn	
D372,867 S	8/1996	Lambelet, Jr.	
5,579,934 A	12/1996	Buono	
5,908,125 A	6/1999	Opresco	
5,938,055 A *	8/1999	Philips et al.	215/222
D442,089 S	5/2001	Sadeghi et al.	
D443,513 S	6/2001	Goettner	
D445,679 S	7/2001	Malmberg	



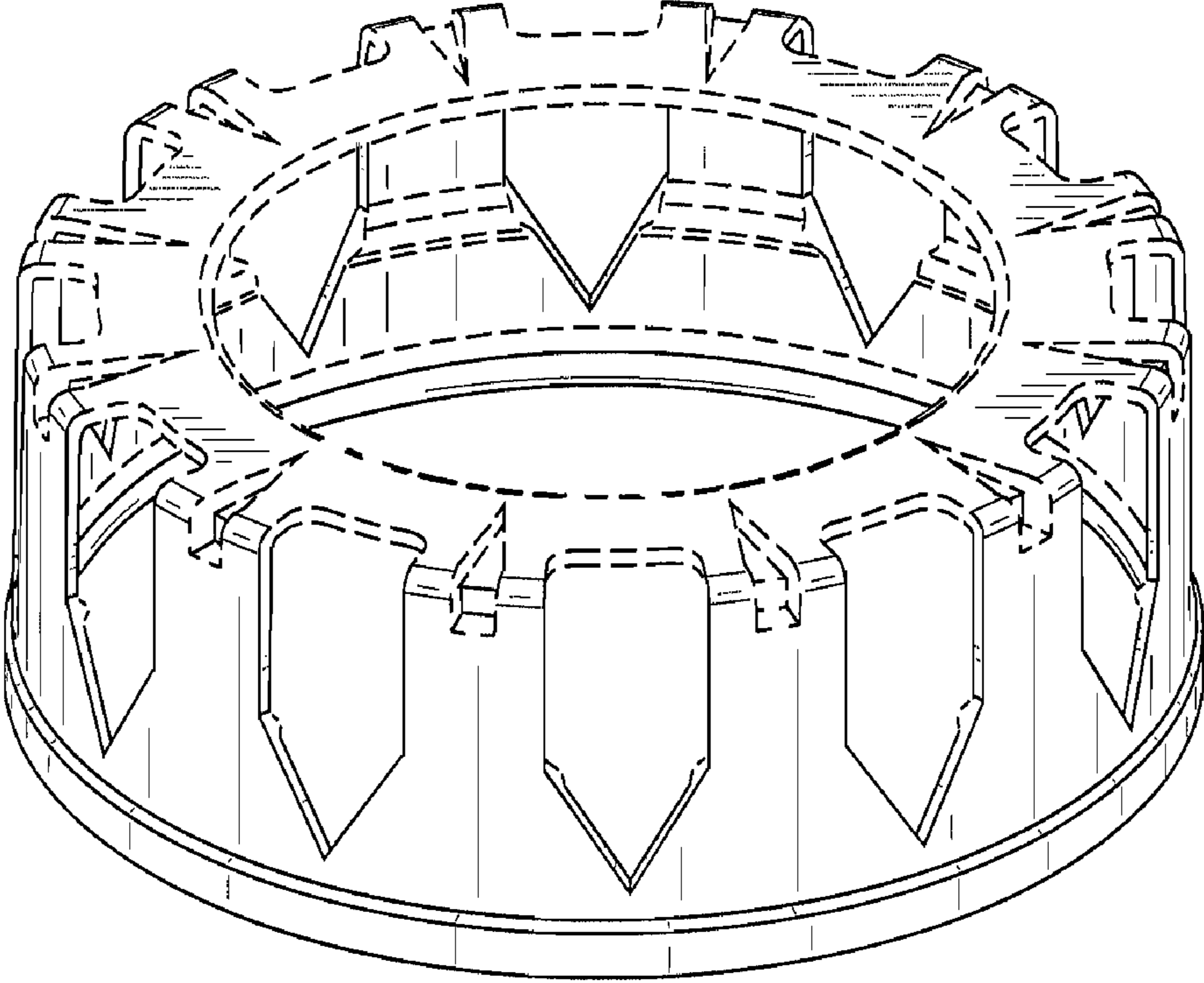


FIG. 1

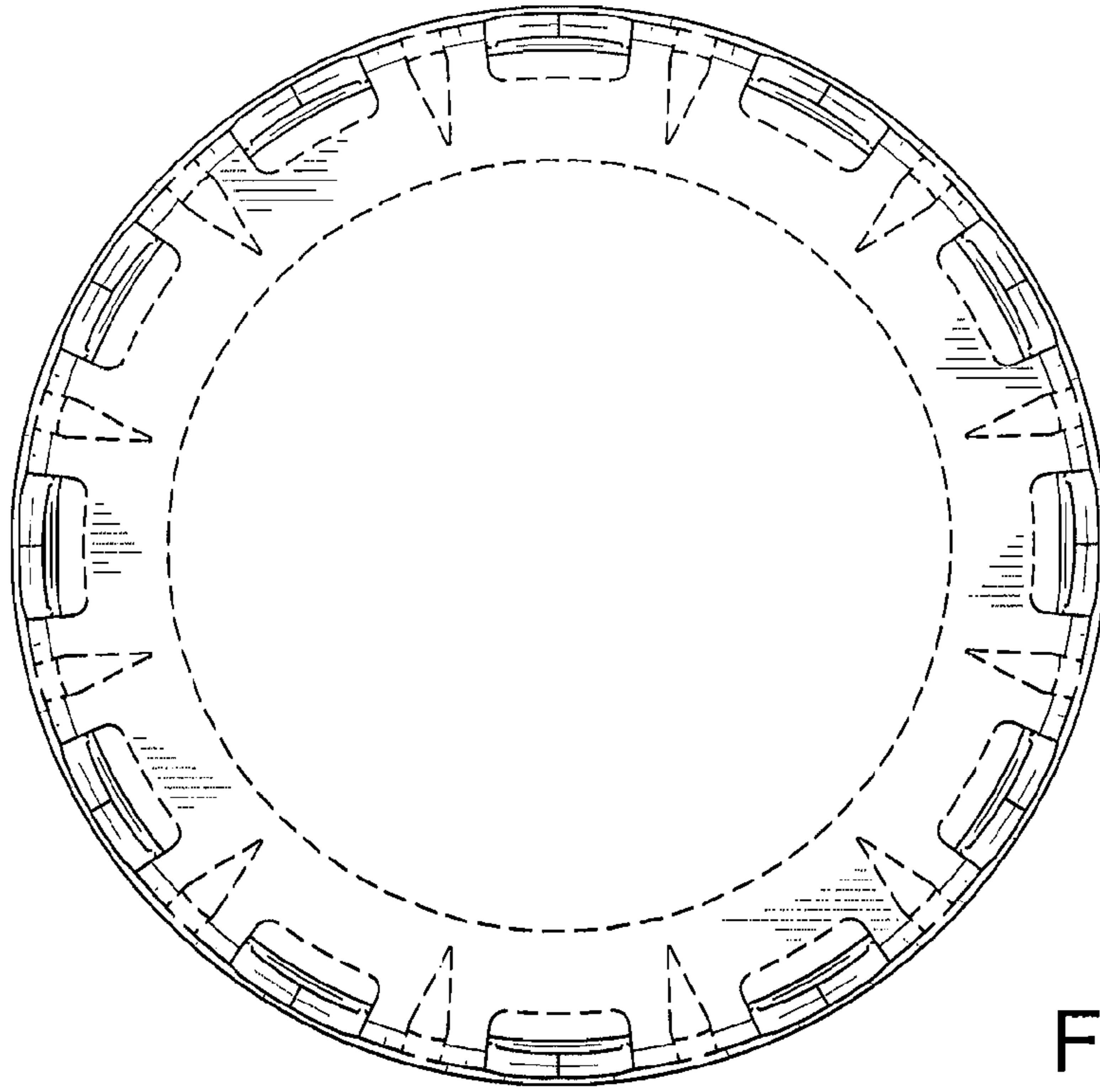


FIG. 2

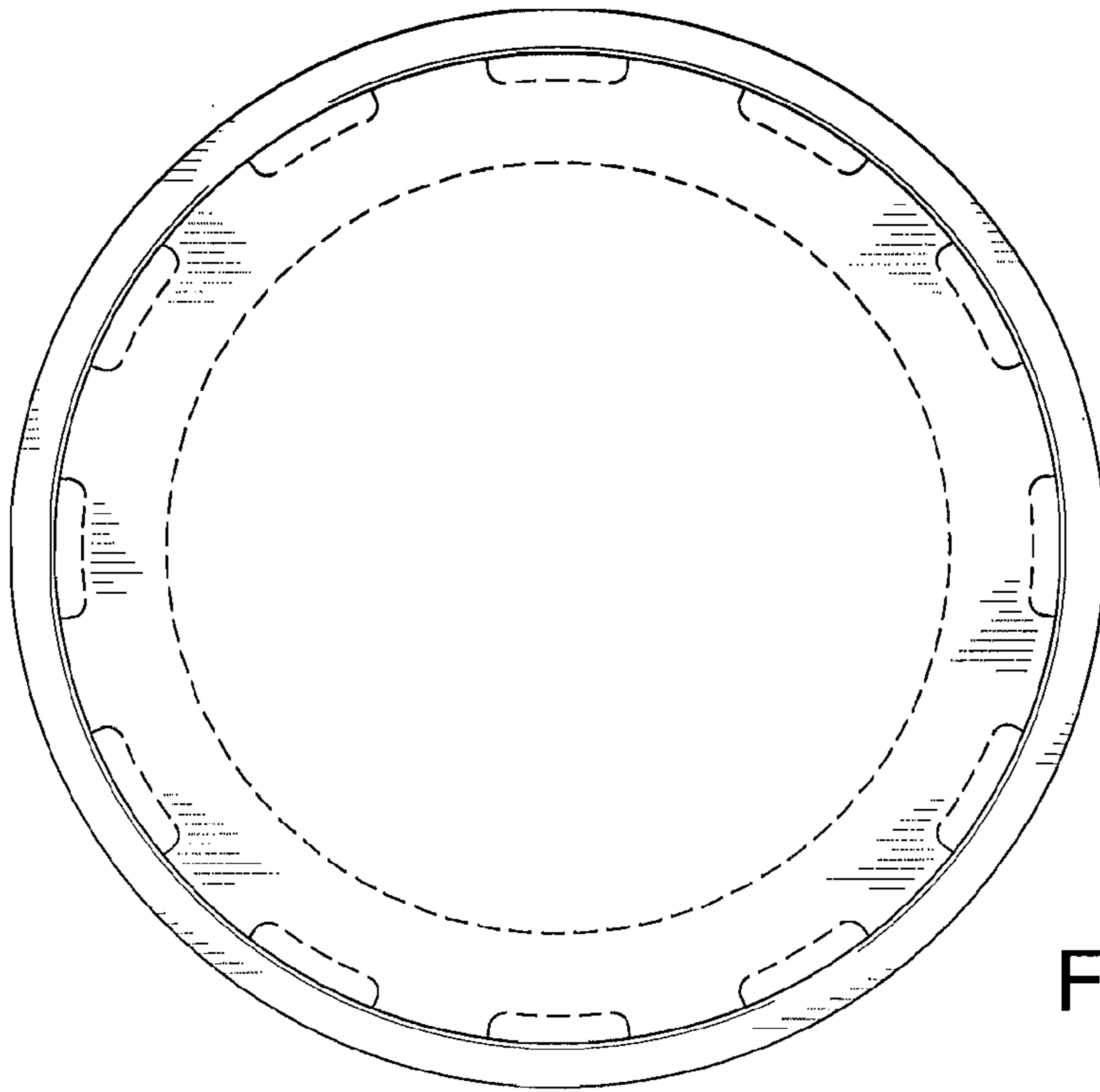


FIG. 3

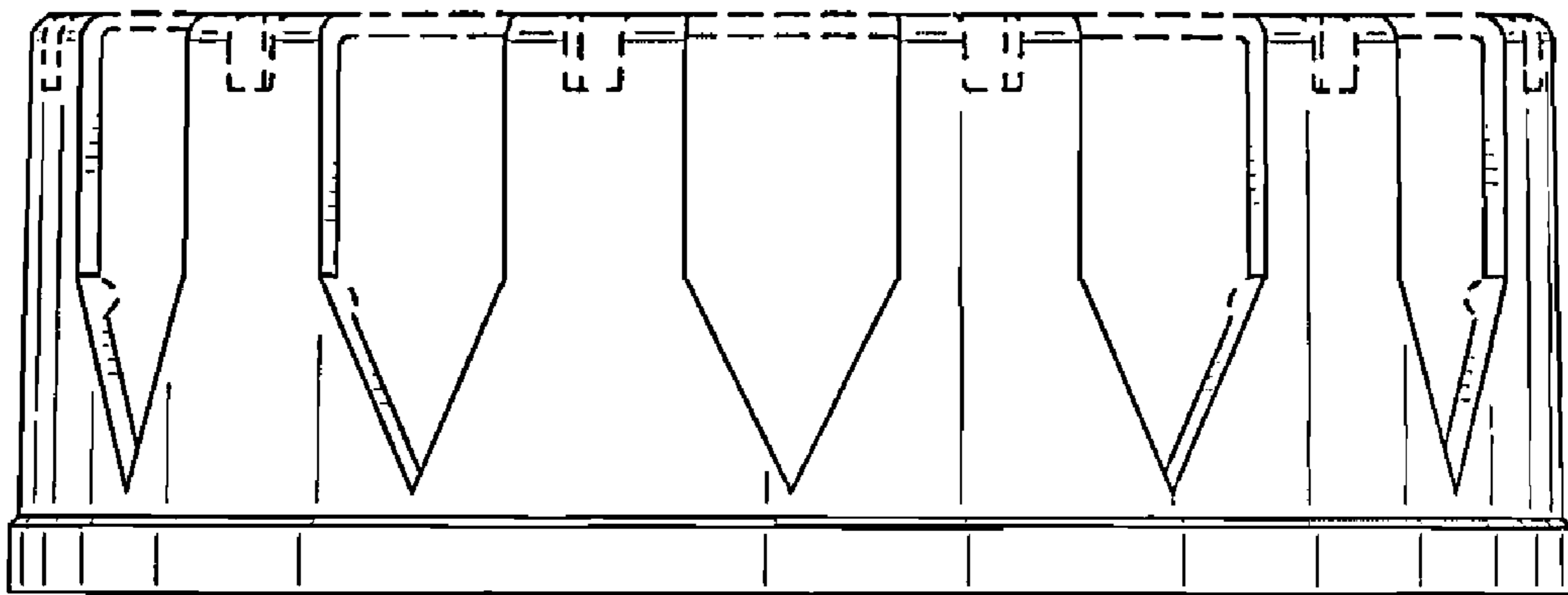


FIG. 4