



US00D679590S

(12) **United States Design Patent**
Stull, Sr. et al.

(10) **Patent No.:** **US D679,590 S**
(45) **Date of Patent:** **** Apr. 9, 2013**

(54) **LIGHTWEIGHT CLOSURE WITH TOP SPOKES**

(75) Inventors: **Gene Stull, Sr.**, Far Hills, NJ (US);
Gene Stull, Jr., Gladstone, NJ (US);
Jason Wesley Stull, Morristown, NJ (US);
Mark Russo, Morristown, NJ (US);
Robert Thomas Auer, East Stroudsburg, PA (US);
Lino Gabriel Ferri, Middletown, NJ (US)

(73) Assignee: **Stull Technologies, Inc.**, Somerset, NJ (US)

(**) Term: **14 Years**

(21) Appl. No.: **29/390,245**

(22) Filed: **Apr. 21, 2011**

(51) **LOC (9) Cl.** **09-07**

(52) **U.S. Cl.** **D9/452; D9/454**

(58) **Field of Classification Search** D9/708,
D9/709, 710, 454, 453, 452, 449, 443, 435,
D9/434; D7/391; 220/281; 215/271, 253,
215/222, 220; 138/96 R

See application file for complete search history.

(56) **References Cited**

U.S. PATENT DOCUMENTS

D23,144 S *	3/1894	Johnson	D9/452
D93,650 S *	10/1934	Fleish	D9/453
D128,058 S *	7/1941	Shultz	D9/452
3,679,085 A	7/1972	Gach		
D290,323 S *	6/1987	Weernink	D7/511
D298,608 S	11/1988	Dewing		
D311,868 S	11/1990	Armstrong		
D320,562 S *	10/1991	Brester et al.	D9/452
5,115,929 A	5/1992	Buono		
D327,849 S	7/1992	Armstrong		
5,197,616 A	3/1993	Buono		
D356,871 S	3/1995	Dunn		
D372,867 S	8/1996	Lambelet, Jr.		
5,579,934 A	12/1996	Buono		
5,908,125 A	6/1999	Opresco		
5,938,055 A *	8/1999	Philips et al.	215/222
D420,744 S *	2/2000	Ostgaard et al.	D24/224

D442,089 S	5/2001	Sadeghi et al.		
D443,513 S	6/2001	Goettner		
D445,679 S	7/2001	Malmborg		
6,296,130 B1	10/2001	Forsyth et al.		
D464,434 S	10/2002	Morano		
D480,644 S	10/2003	Druitt		
6,789,497 B1	9/2004	Aiken		
D510,523 S	10/2005	Pitman et al.		
D542,133 S *	5/2007	Haber et al.	D9/453
D544,348 S	6/2007	Szczesniak		
D561,587 S	2/2008	Lin		
D563,560 S	3/2008	Copeland		
D574,239 S	8/2008	Lin		
D578,889 S	10/2008	Sadiq		
D592,954 S	5/2009	Capretta et al.		
D613,162 S *	4/2010	Druitt	D9/453
D616,745 S	6/2010	Stull et al.		
D616,746 S	6/2010	Stull et al.		
D616,747 S	6/2010	Stull et al.		
D617,191 S	6/2010	Stull et al.		
D639,161 S *	6/2011	Webster	D9/452
8,205,761 B2 *	6/2012	Stull et al.	215/220
2010/0126996 A1 *	5/2010	Ferri et al.	220/281
2010/0126997 A1 *	5/2010	Stull et al.	220/281

* cited by examiner

Primary Examiner — Susan Bennett Hattan

(74) *Attorney, Agent, or Firm* — Drinker Biddle & Reath LLP

(57) **CLAIM**

The ornamental design for a lightweight closure with top spokes, as shown and described.

DESCRIPTION

FIG. 1 is an isometric view of a lightweight closure with top spokes according to one embodiment of our new design.

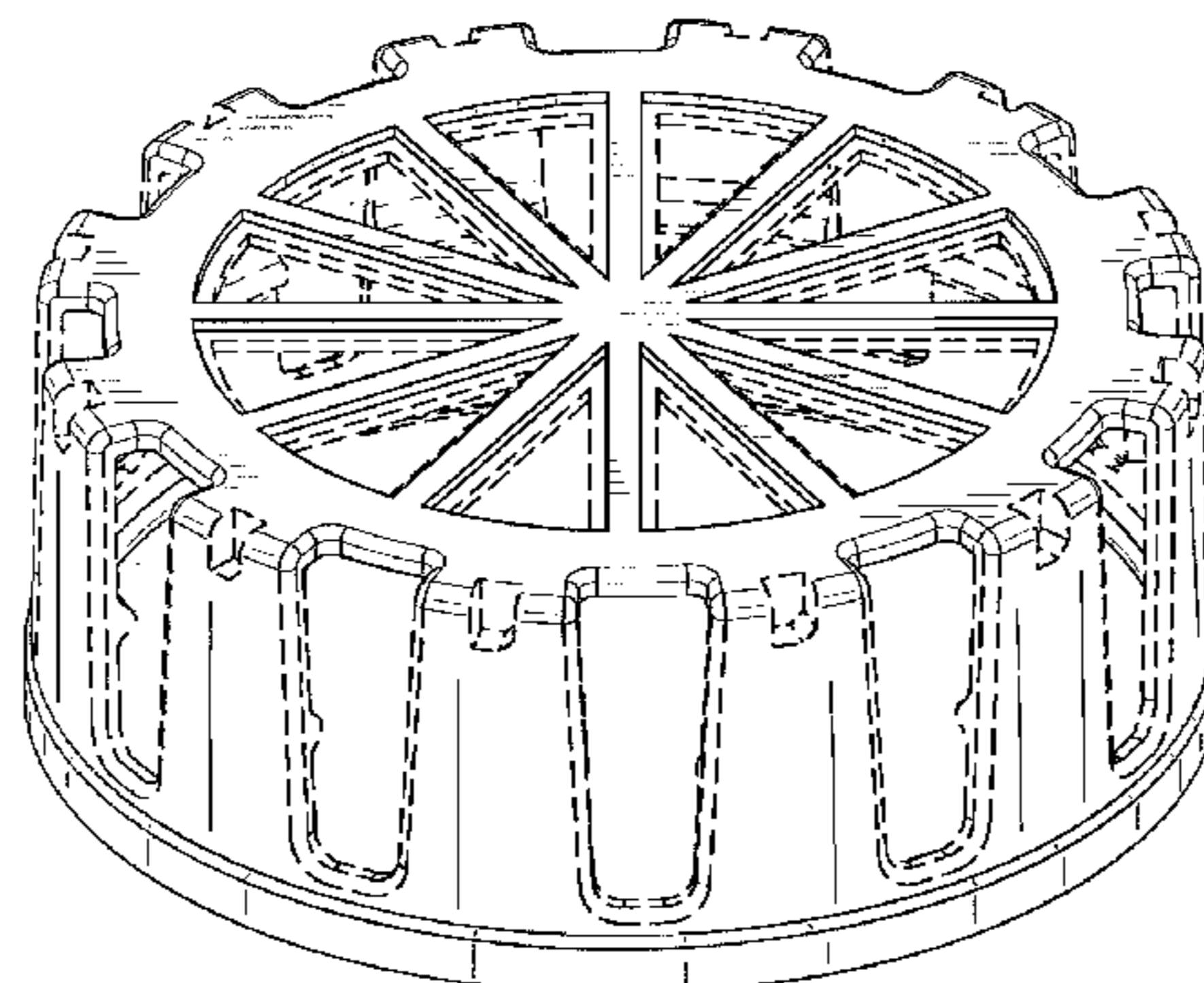
FIG. 2 is a top view of the lightweight closure with top spokes of FIG. 1.

FIG. 3 is a bottom view of the lightweight closure with top spokes of FIG. 1; and,

FIG. 4 is a right side view of the lightweight closure with top spokes of FIG. 1; the left side, front view and back view are all mirror images.

The portions of the drawings appearing in broken lines are for environment only and do not form a part of the claimed design.

1 Claim, 3 Drawing Sheets



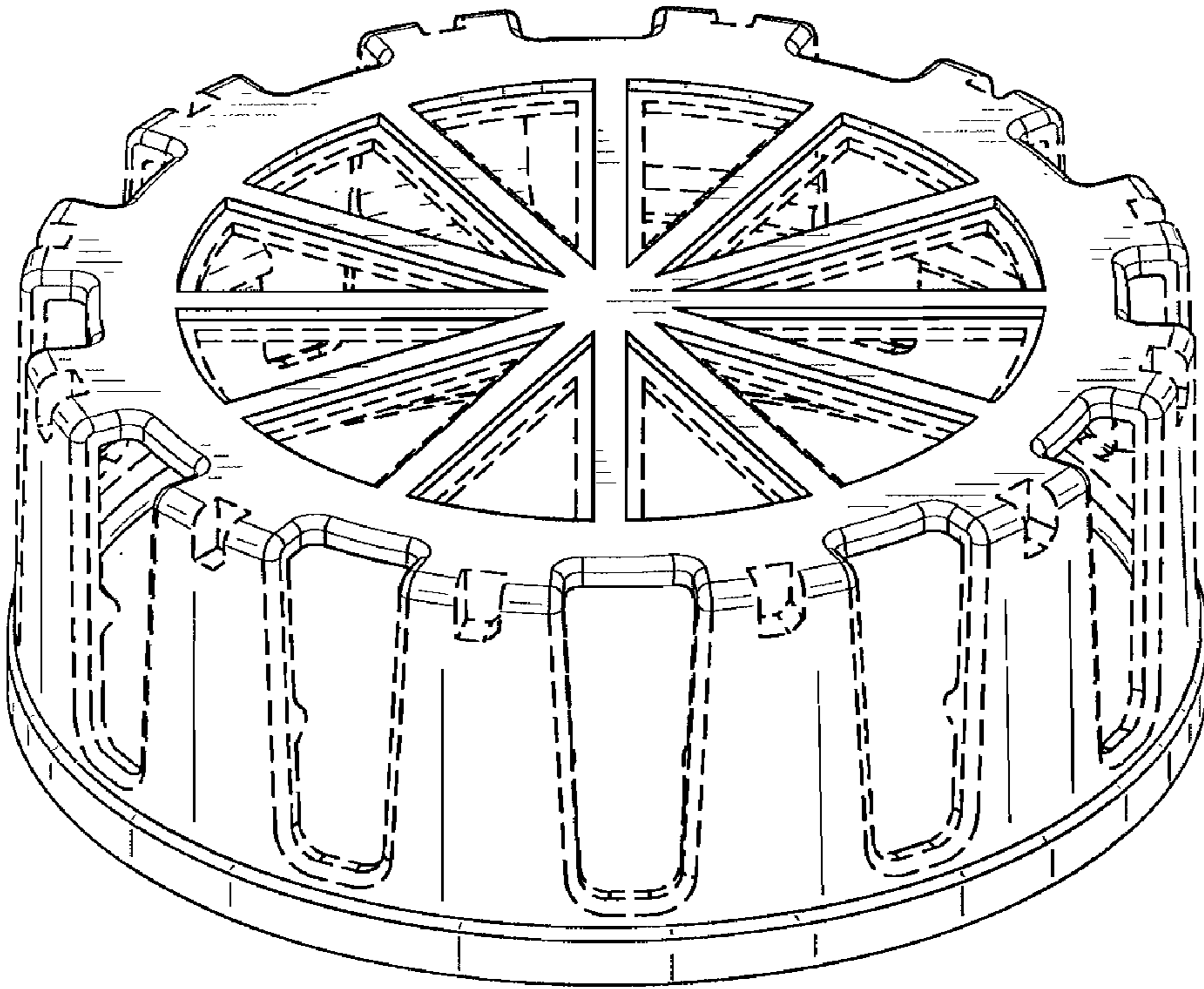


FIG. 1

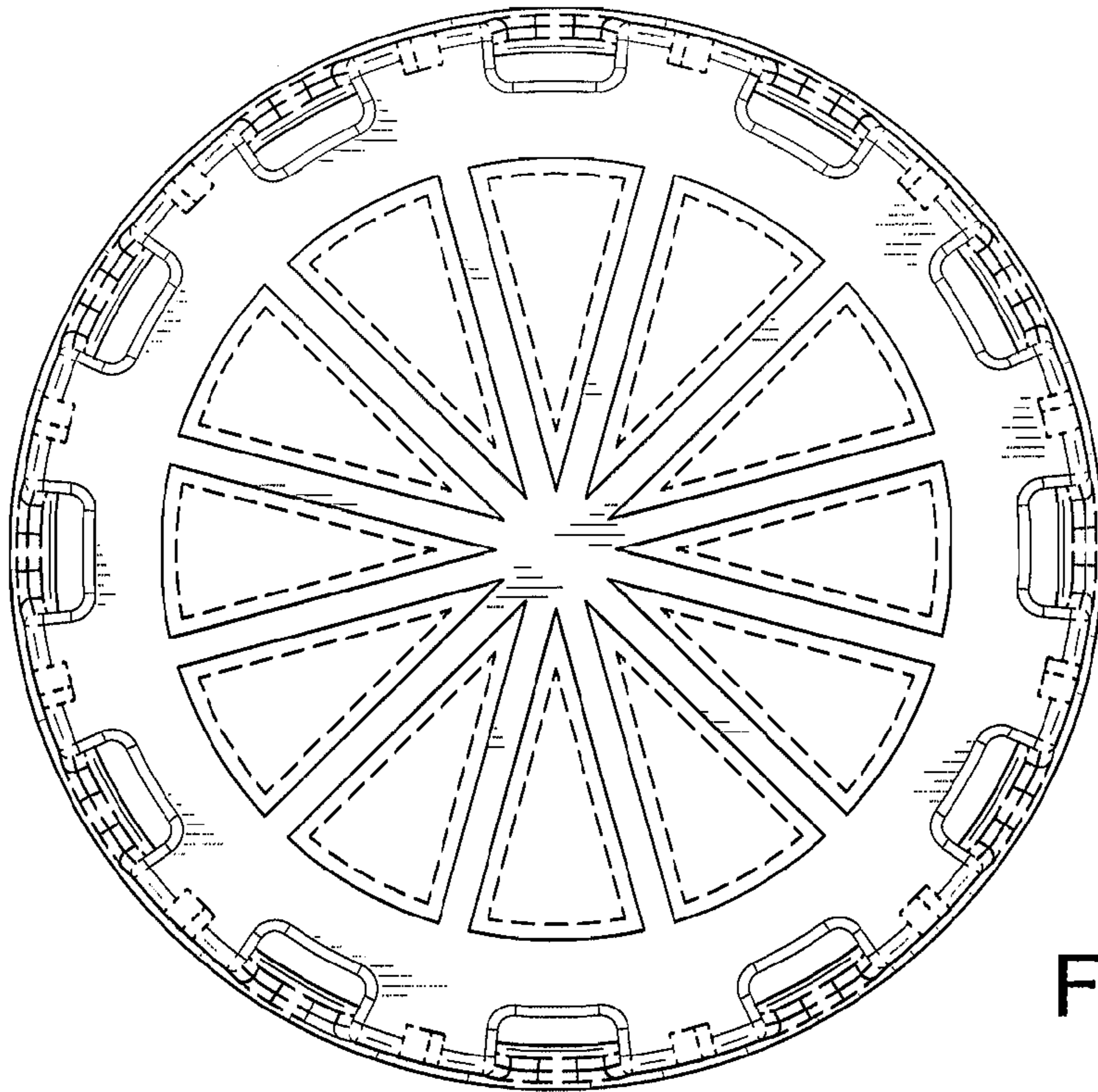


FIG. 2

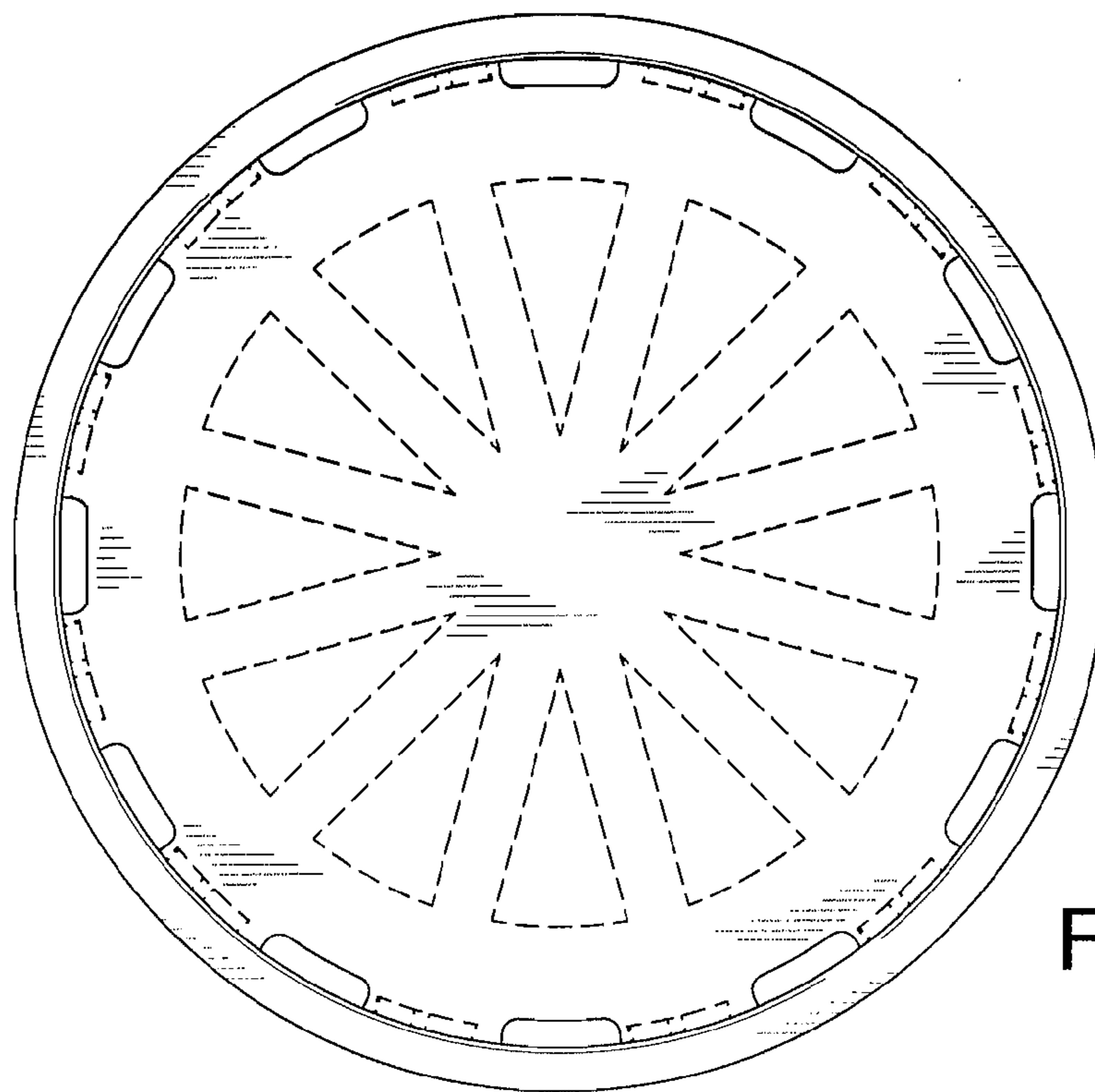


FIG. 3

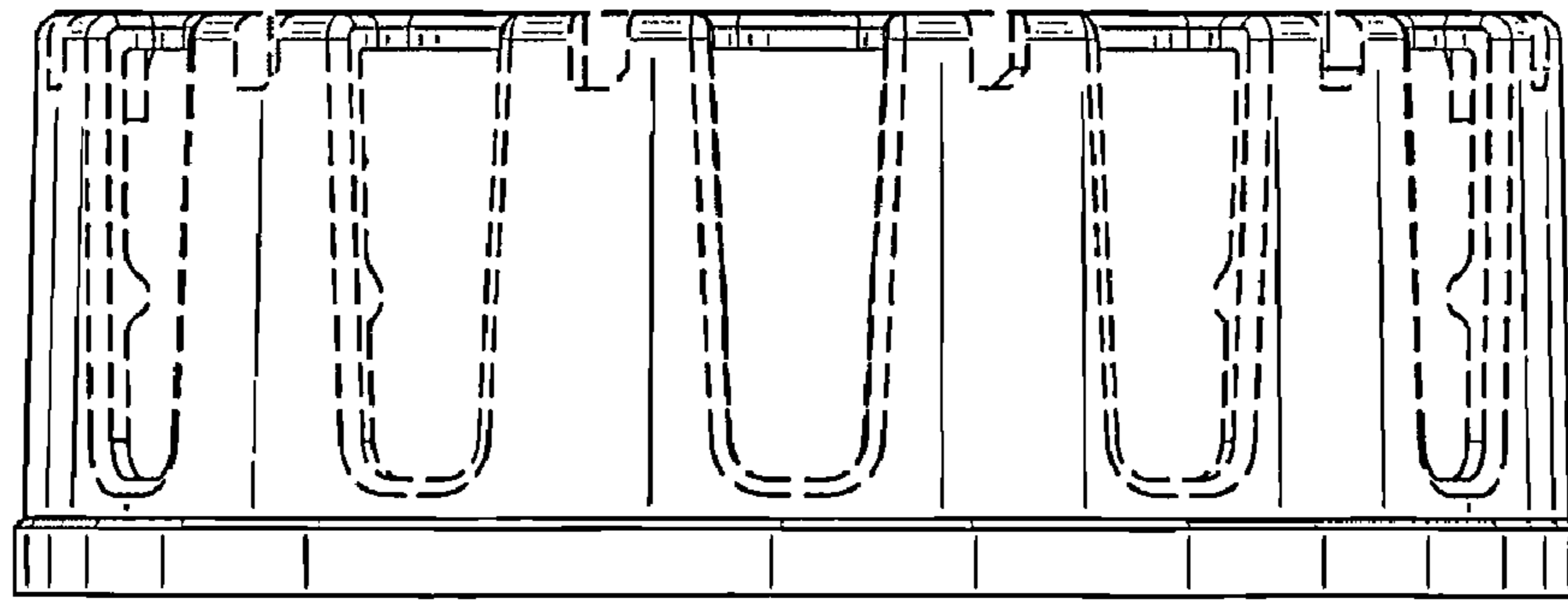


FIG. 4