



US00D679589S

(12) **United States Design Patent**
Hauth

(10) **Patent No.:** **US D679,589 S**

(45) **Date of Patent:** **** Apr. 9, 2013**

(54) **CLOSURE**

(75) **Inventor:** **Matthias Hauth**, Oberried/St. Wilhelm (DE)

(73) **Assignee:** **Neoperl GmbH**, Mullheim (DE)

(**) **Term:** **14 Years**

(21) **Appl. No.:** **29/397,118**

(22) **Filed:** **Jul. 12, 2011**

(51) **LOC (9) Cl.** **09-06**

(52) **U.S. Cl.** **D9/446**

(58) **Field of Classification Search** D9/454,
D9/453, 449, 447, 446, 443, 440, 439, 417;
D7/396.2, 392.1; 222/556, 484; 220/837,
220/715, 259.2, 254.2–254.5; 215/306, 235,
215/236

See application file for complete search history.

(56) **References Cited**

U.S. PATENT DOCUMENTS

5,000,236	A *	3/1991	Jemison	141/319
5,295,599	A *	3/1994	Smith	215/204
5,513,768	A *	5/1996	Smith	220/259.2
D406,238	S *	3/1999	Voller	D9/446
D458,135	S *	6/2002	Hierzer	D9/446
8,205,764	B2 *	6/2012	Chang	220/259.2

* cited by examiner

Primary Examiner — Susan Bennett Hattan

(74) *Attorney, Agent, or Firm* — Volpe and Koenig, P.C.

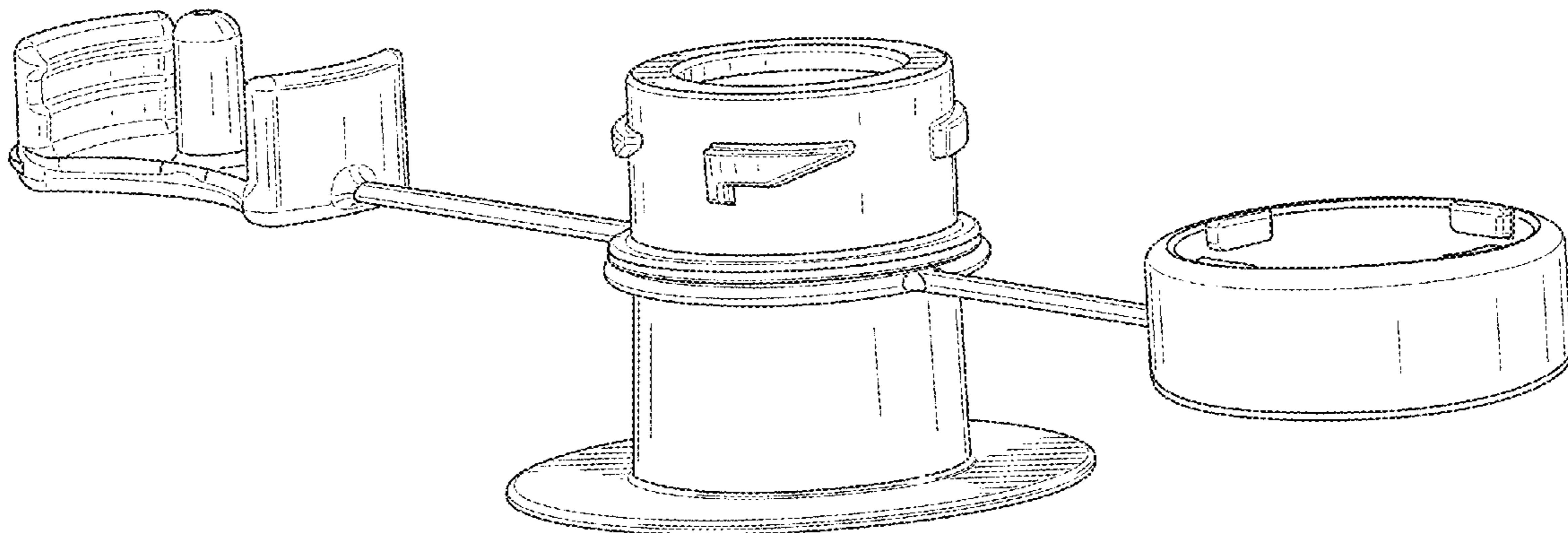
(57) **CLAIM**

The ornamental design for a closure, as shown and described.

DESCRIPTION

FIG. 1 is a top, front, right perspective view of a closure according to my design;
 FIG. 2 is a front elevational view thereof;
 FIG. 3 is a rear elevational view thereof;
 FIG. 4 is a right side elevational view thereof;
 FIG. 5 is a left side elevational view thereof;
 FIG. 6 is a top plan view thereof;
 FIG. 7 is a bottom view thereof;
 FIG. 8 is a top, rear, right perspective view thereof showing a portion of the closure in a first alternate position; and
 FIG. 9 is a top, rear, right perspective view thereof showing the closure in a second alternate position;
 FIG. 10 is a top, front, right perspective view of the closure flange for the closure in accordance with my design;
 FIG. 11 is a front elevational view thereof;
 FIG. 12 is a right side elevational view thereof;
 FIG. 13 is a rear elevational view thereof;
 FIG. 14 is a left side elevational view thereof;
 FIG. 15 is a top plan view thereof; and
 FIG. 16 is a bottom view thereof; and,
 FIG. 17 is a top, right perspective view of the closure part for the closure in accordance with my design;
 FIG. 18 is a front elevational view thereof;
 FIG. 19 is a rear elevational view thereof;
 FIG. 20 is a right side elevational view thereof;
 FIG. 21 is a left side elevational view thereof;
 FIG. 22 is a top plan view thereof; and,
 FIG. 23 is a bottom view thereof.

1 Claim, 23 Drawing Sheets



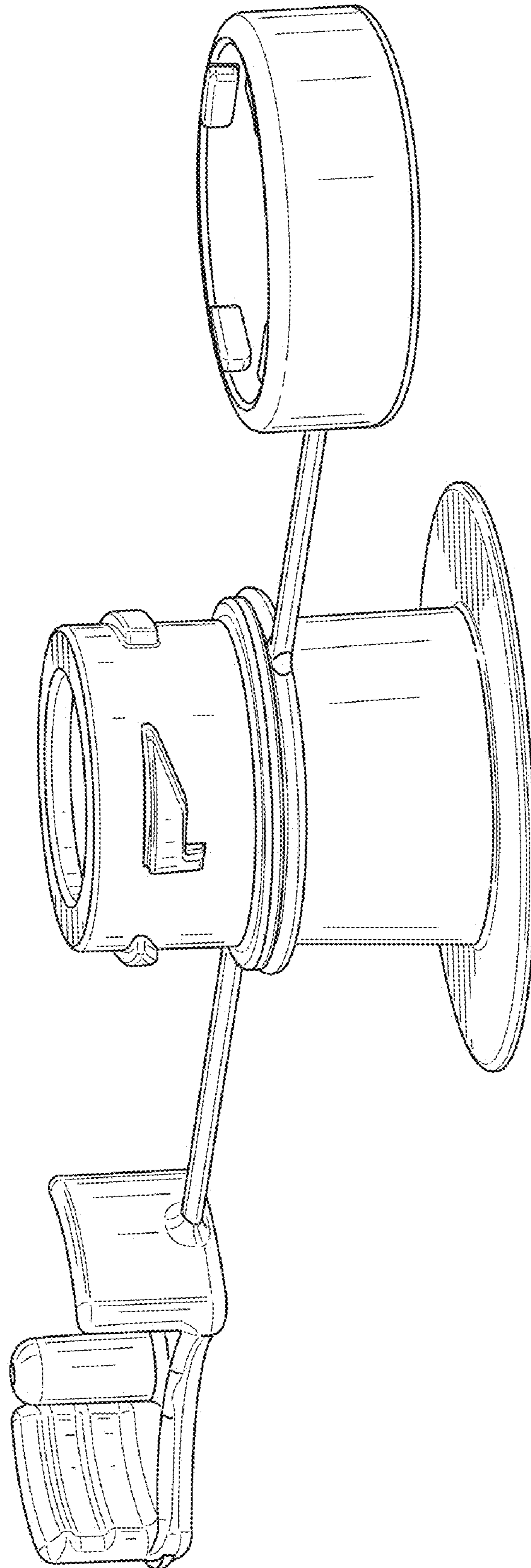


FIG. 1

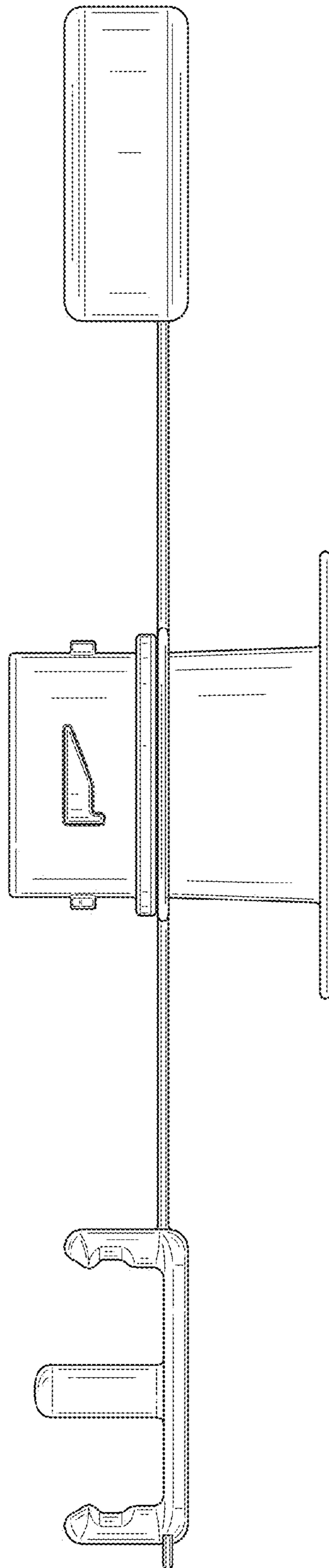


FIG. 2

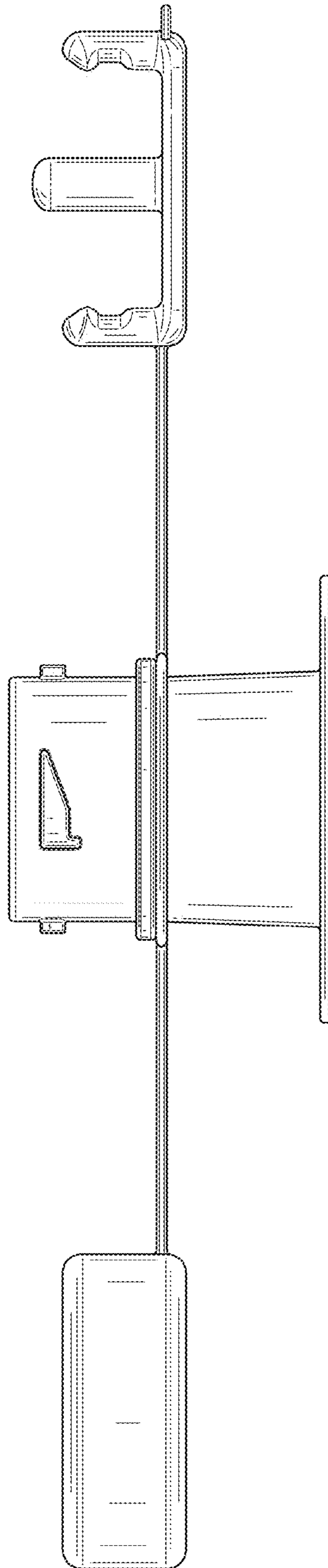


FIG. 3

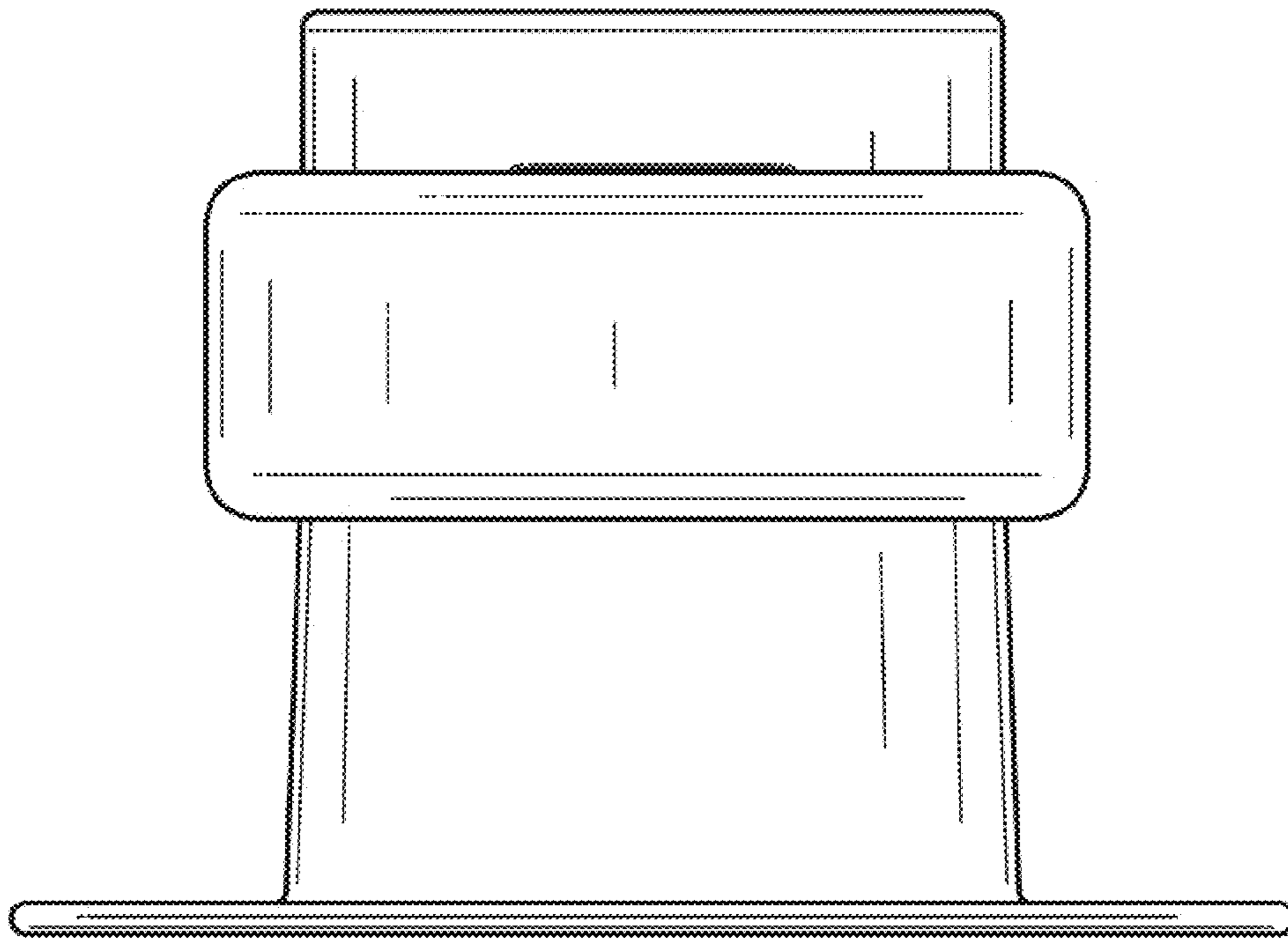


FIG. 4

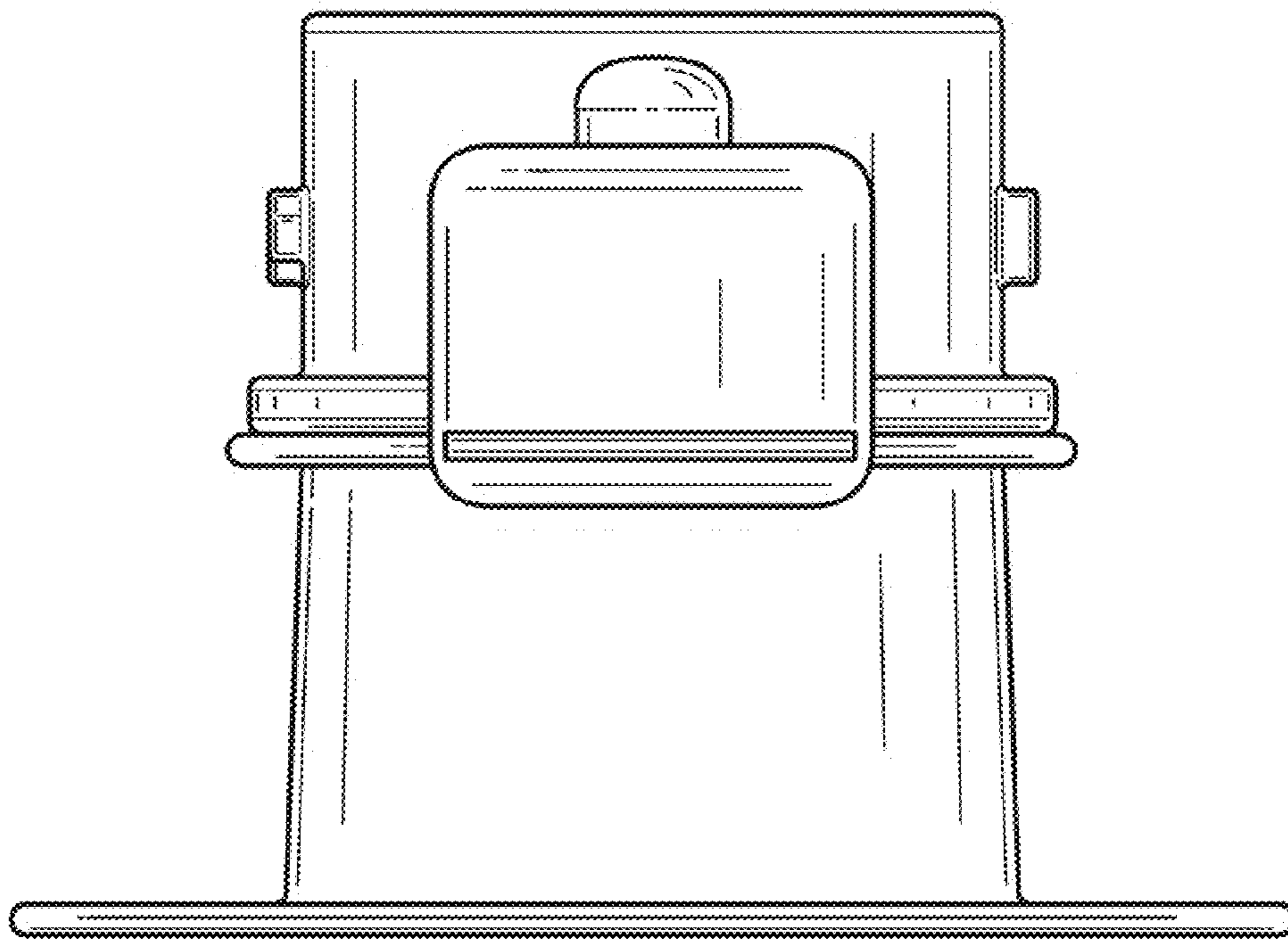


FIG. 5

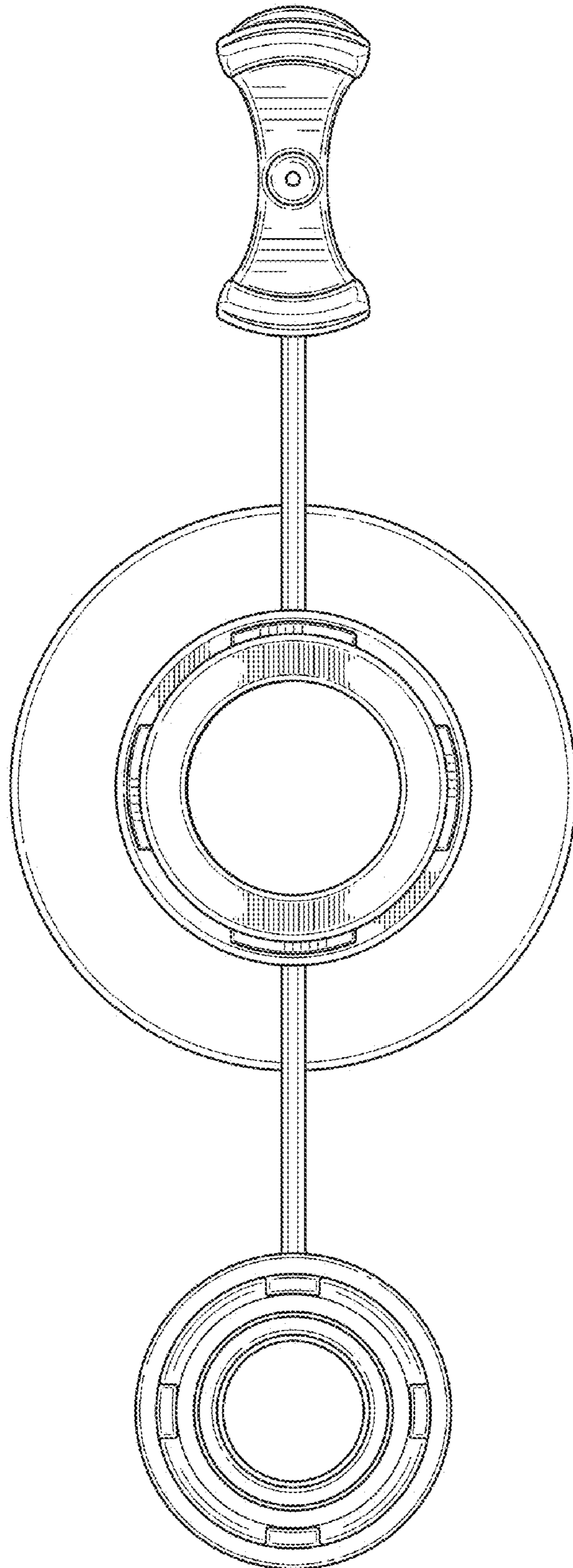


FIG. 6

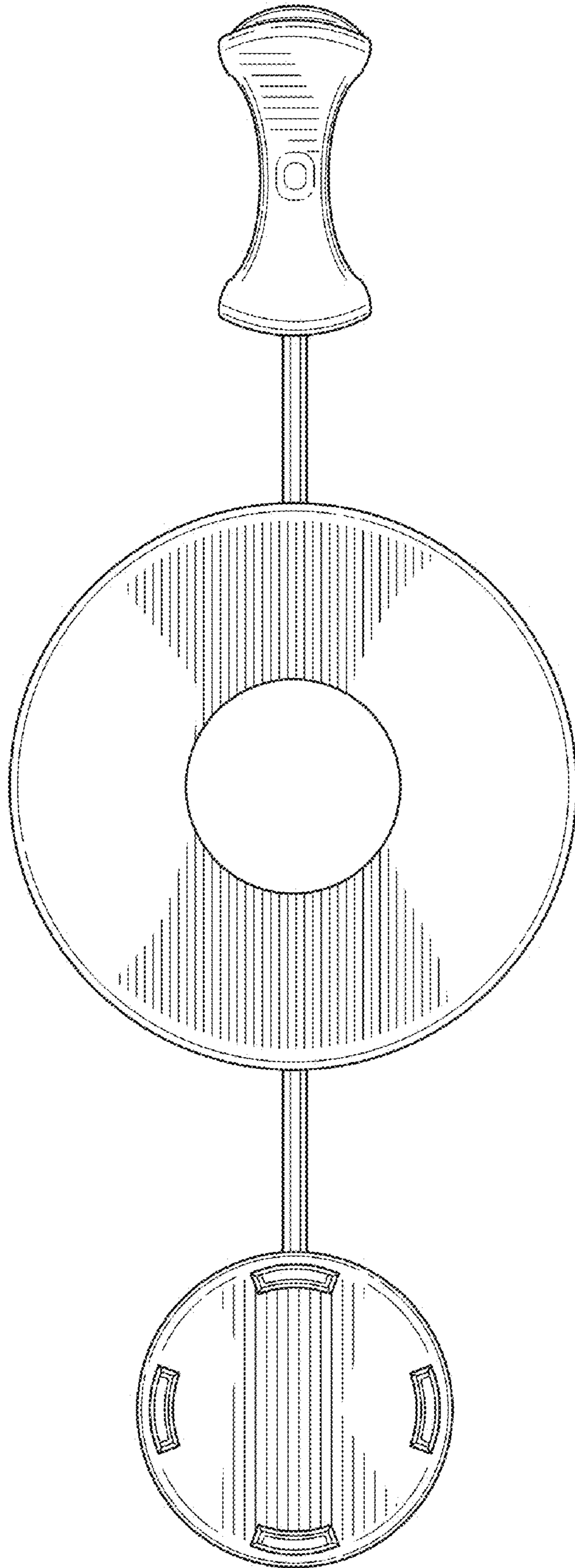


FIG. 7

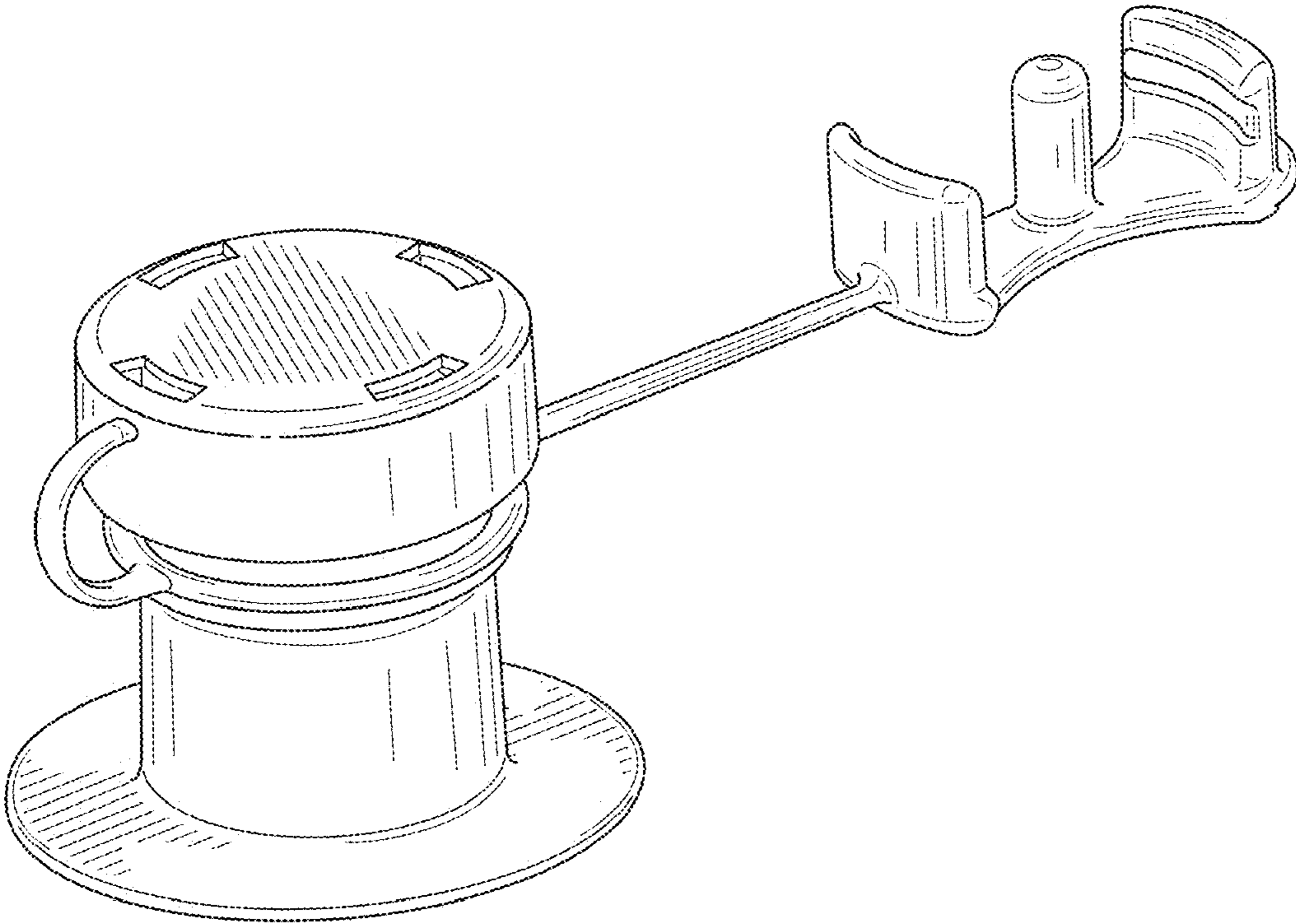


FIG. 8

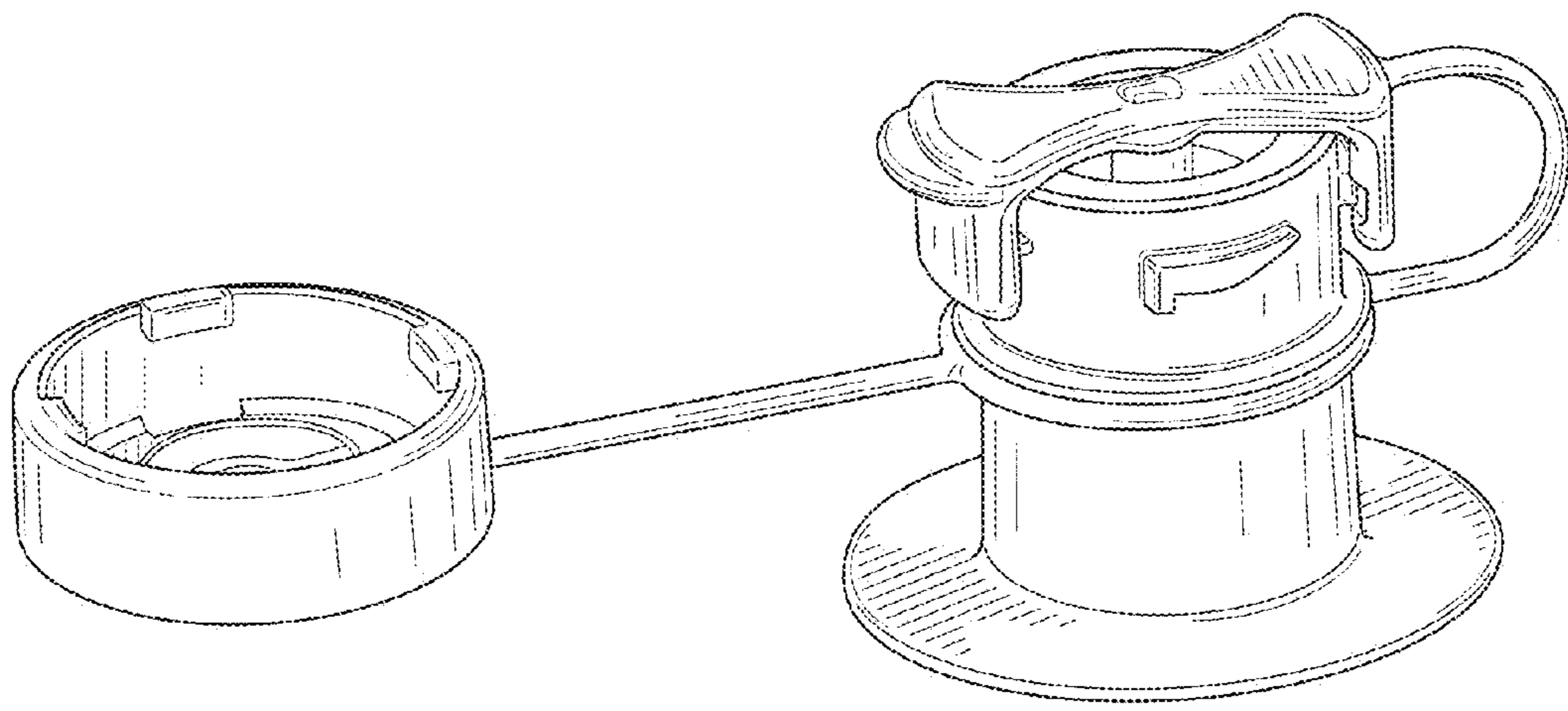


FIG. 9

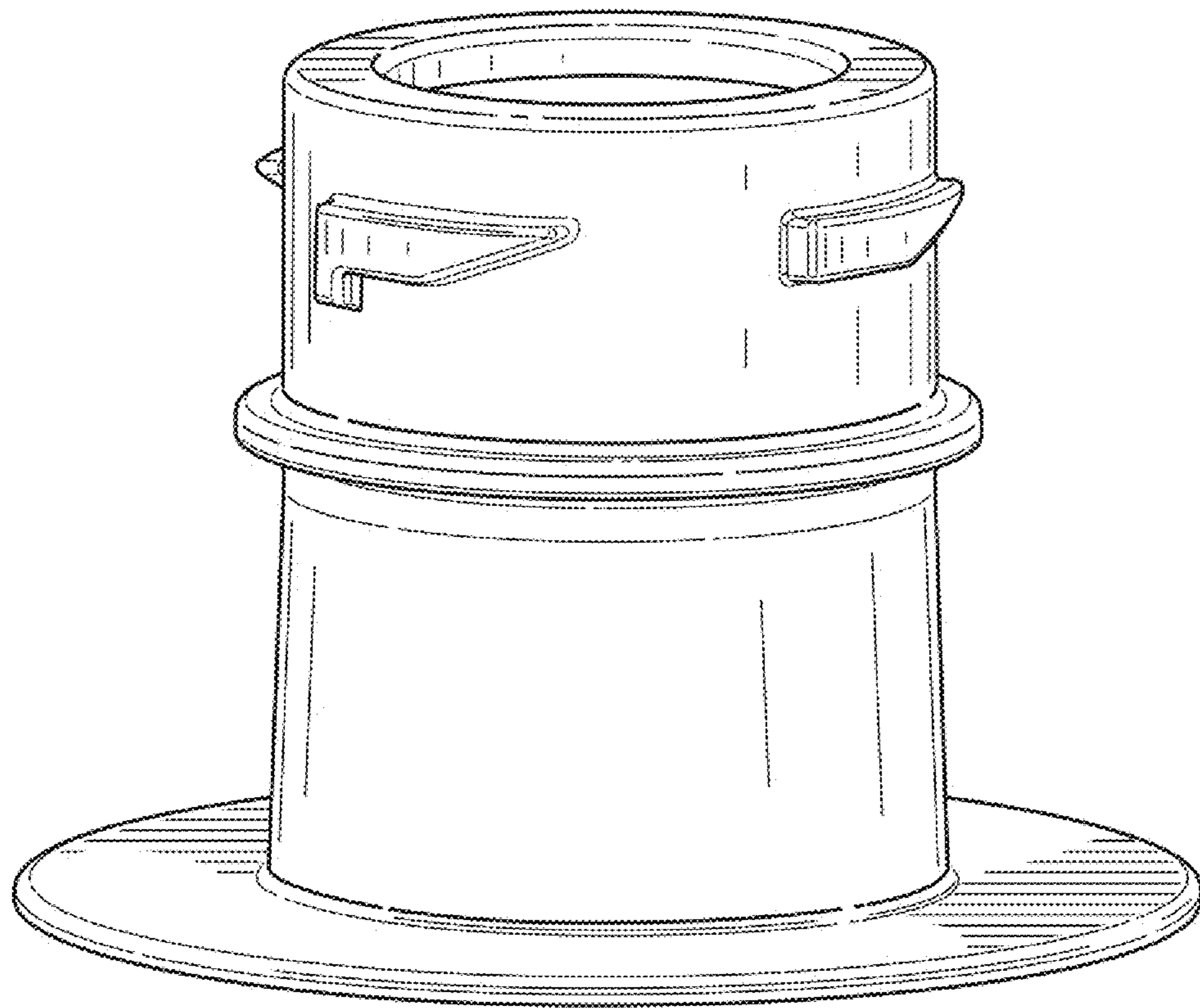


FIG. 10

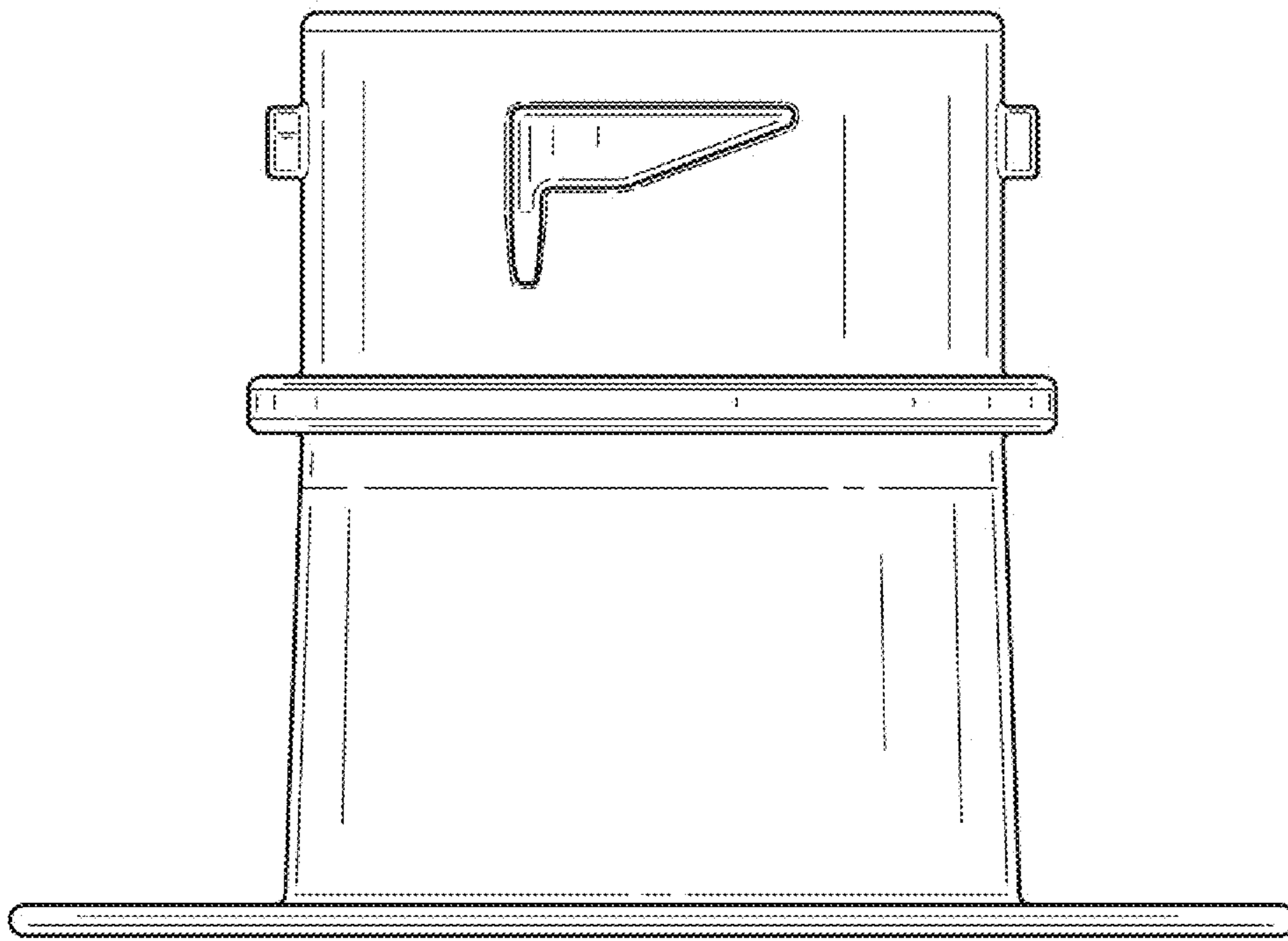


FIG. 11

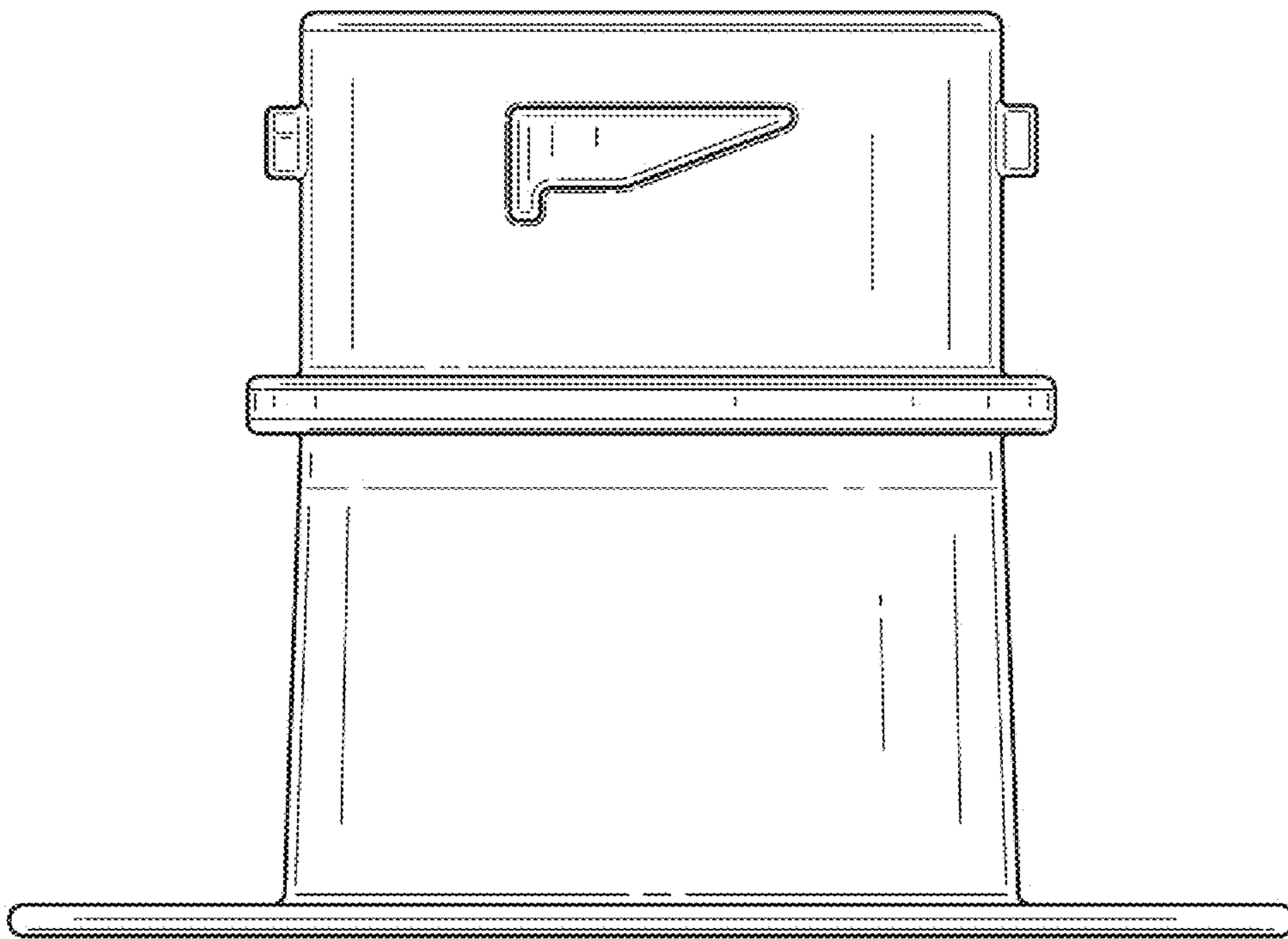


FIG. 12

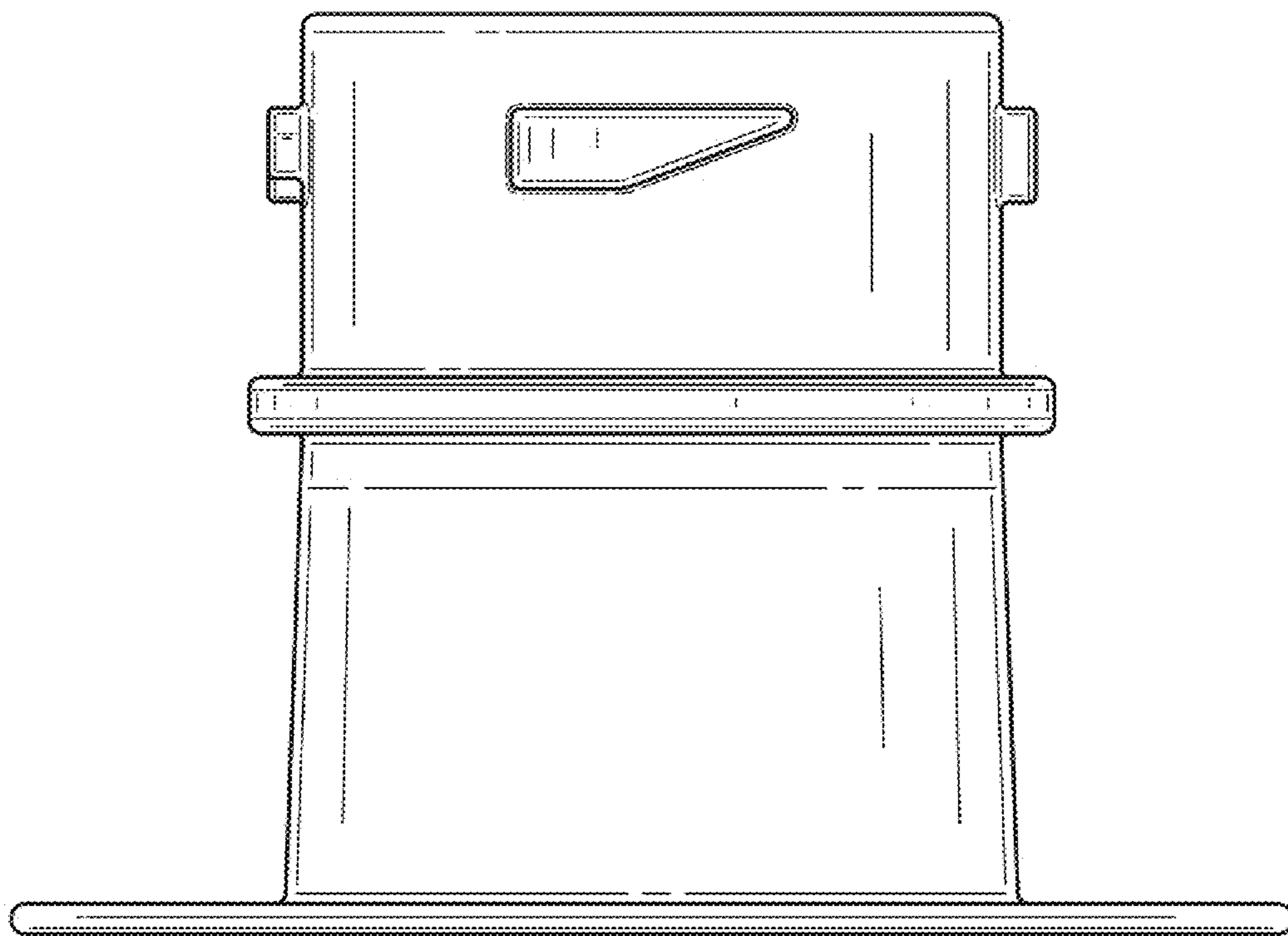


FIG. 13

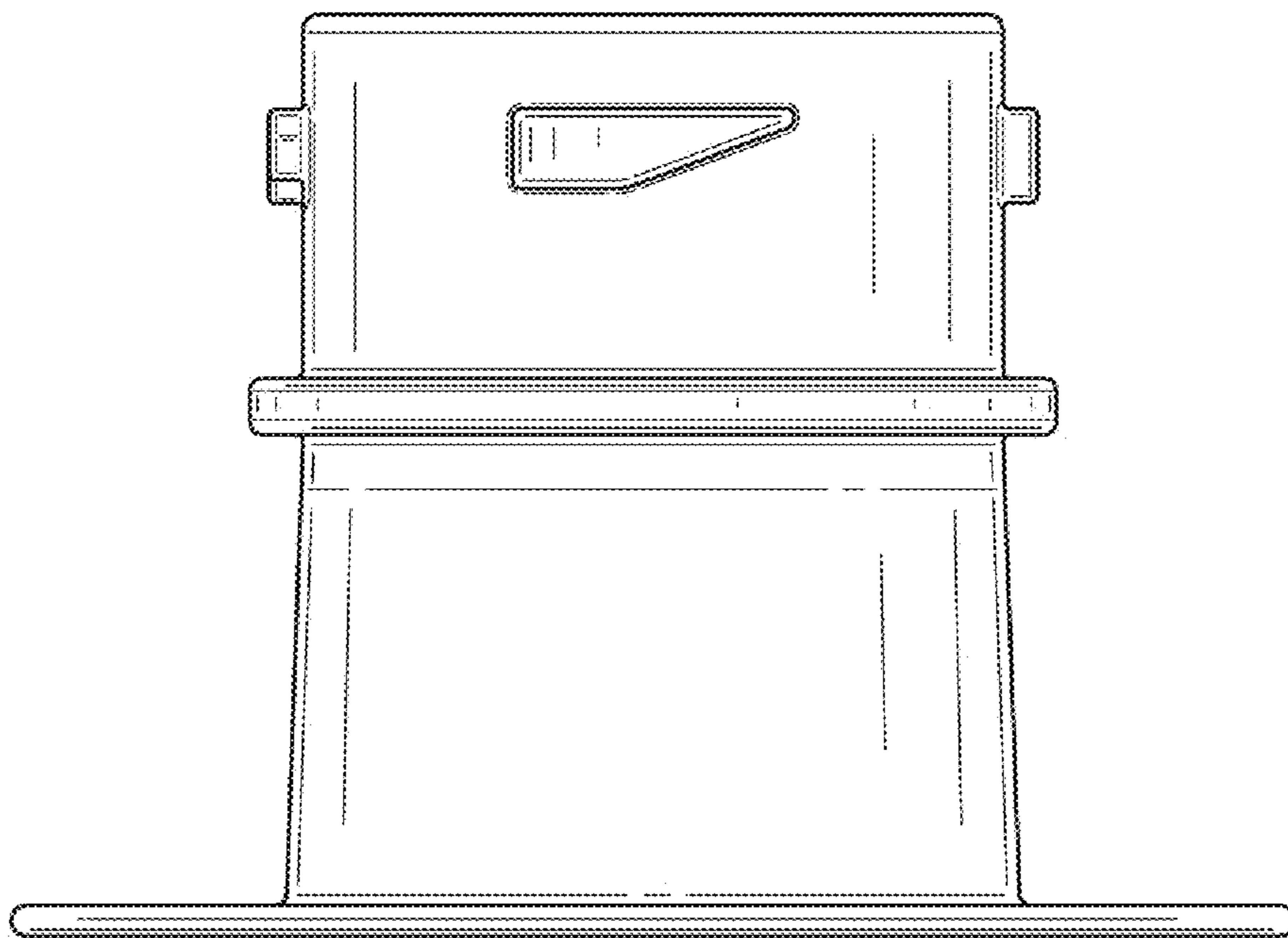


FIG. 14

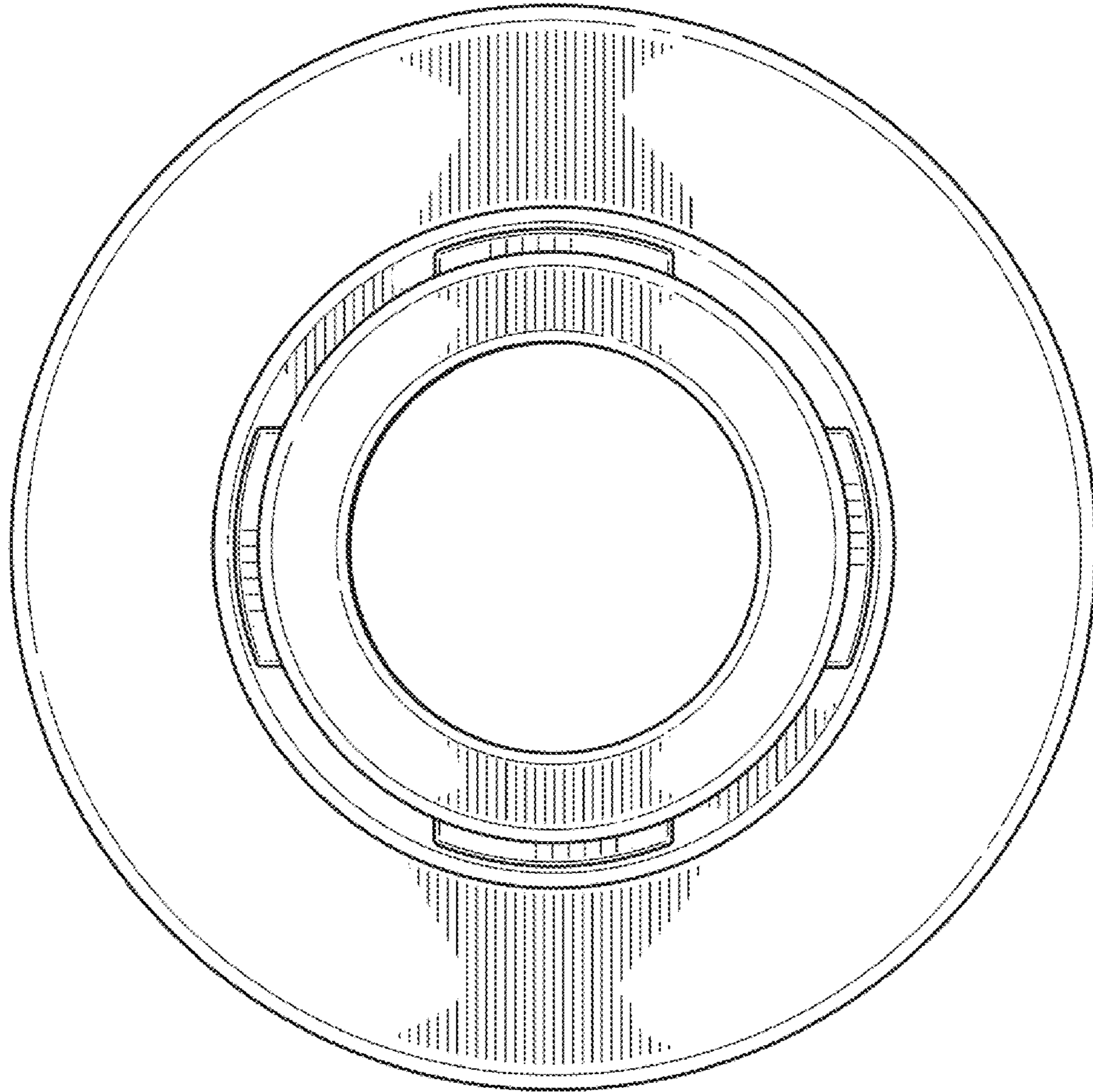


FIG. 15

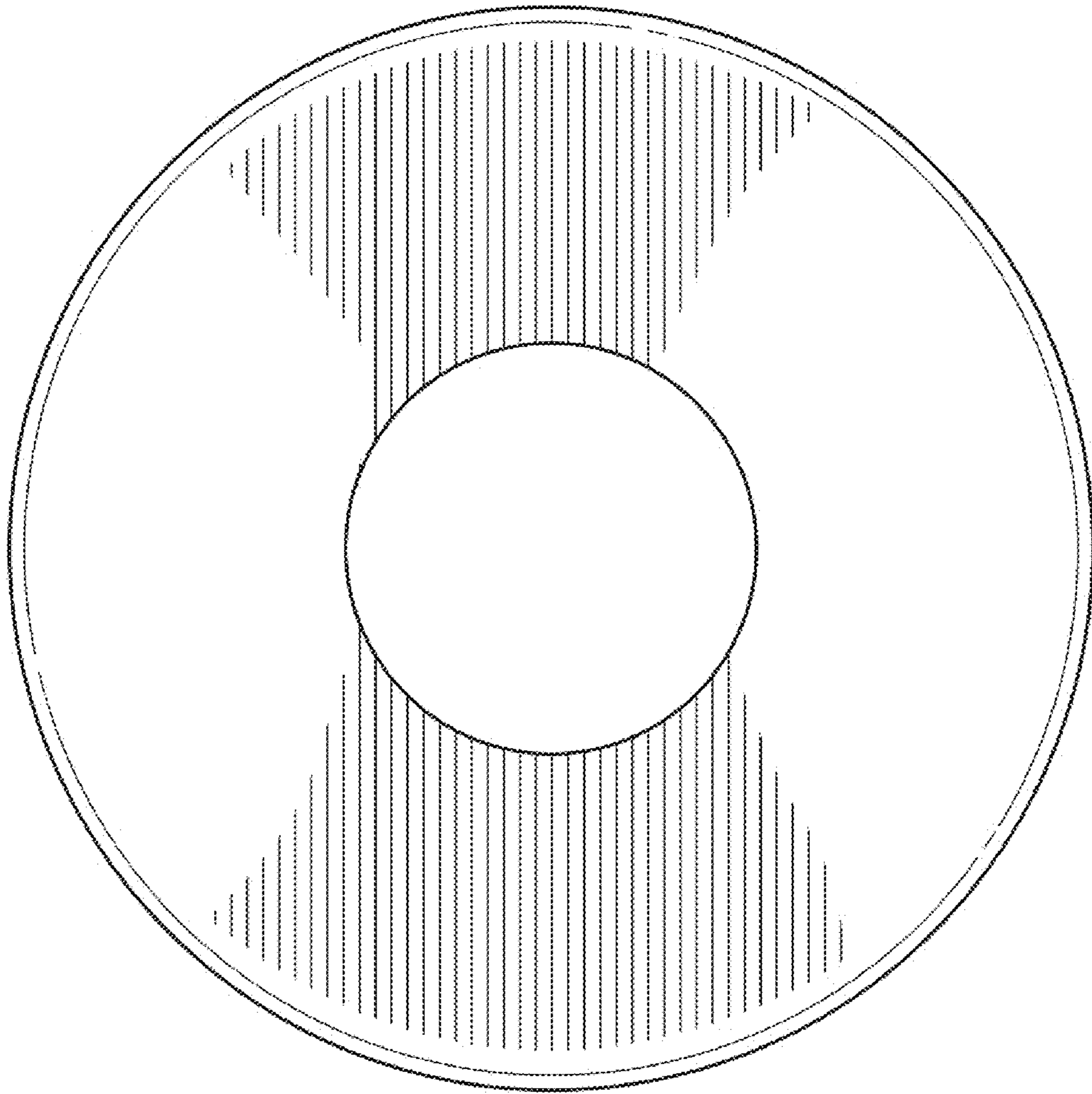


FIG. 16

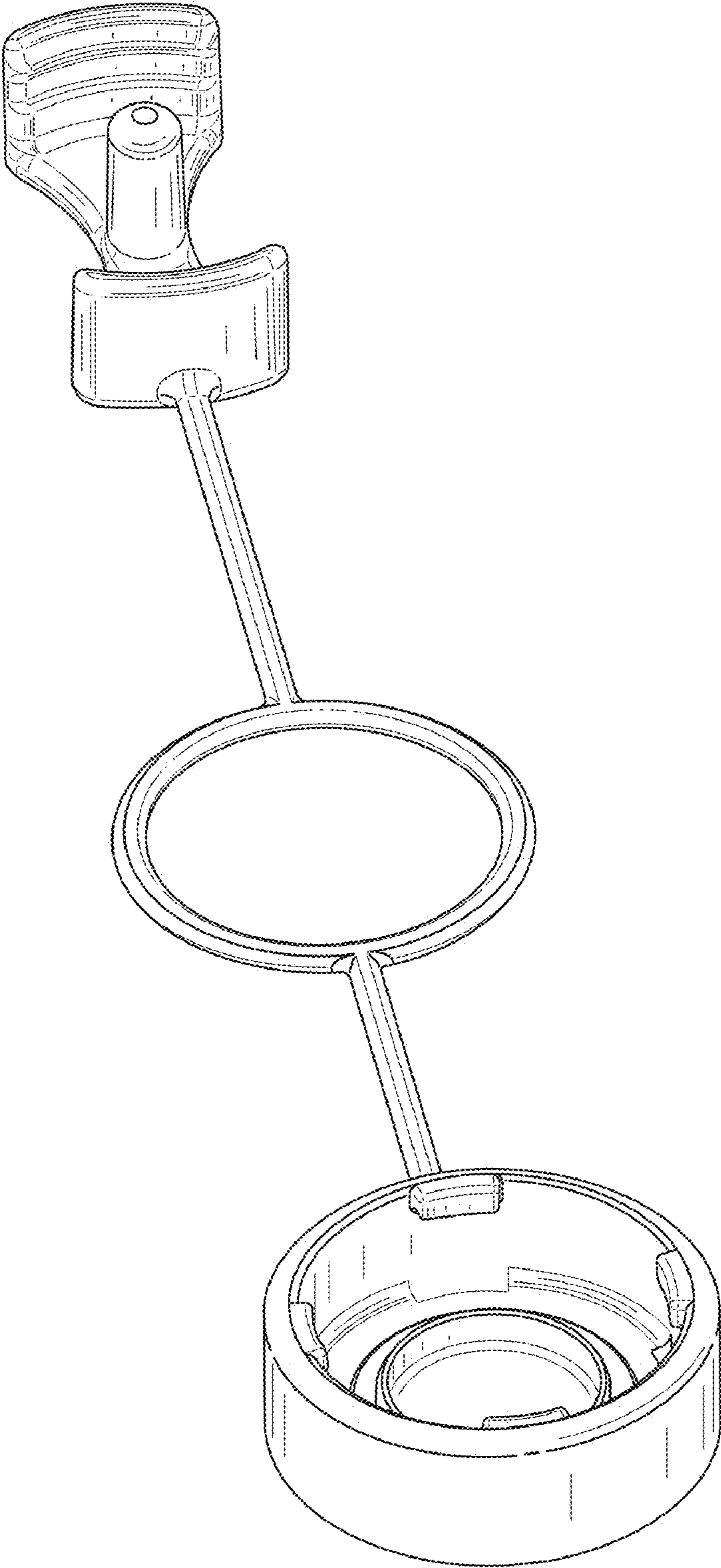


FIG. 17

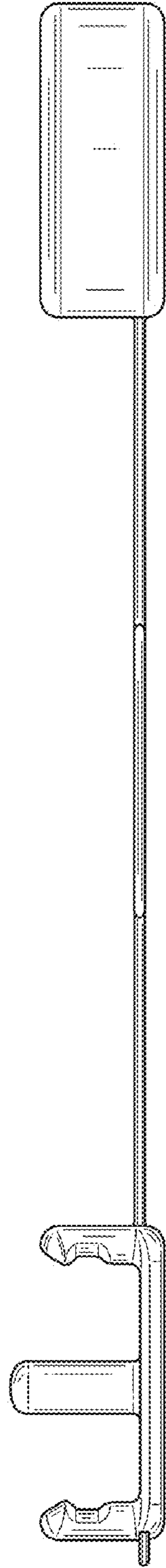


FIG. 18

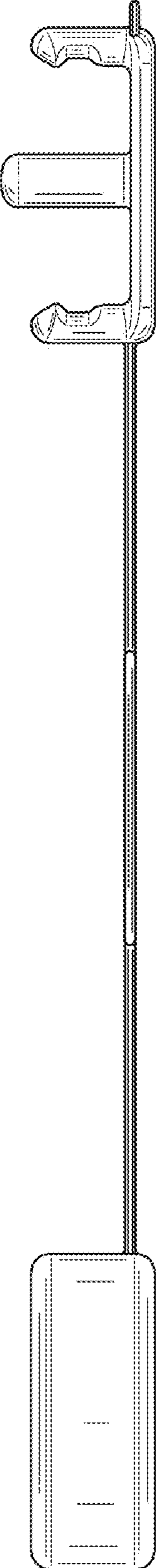


FIG. 19

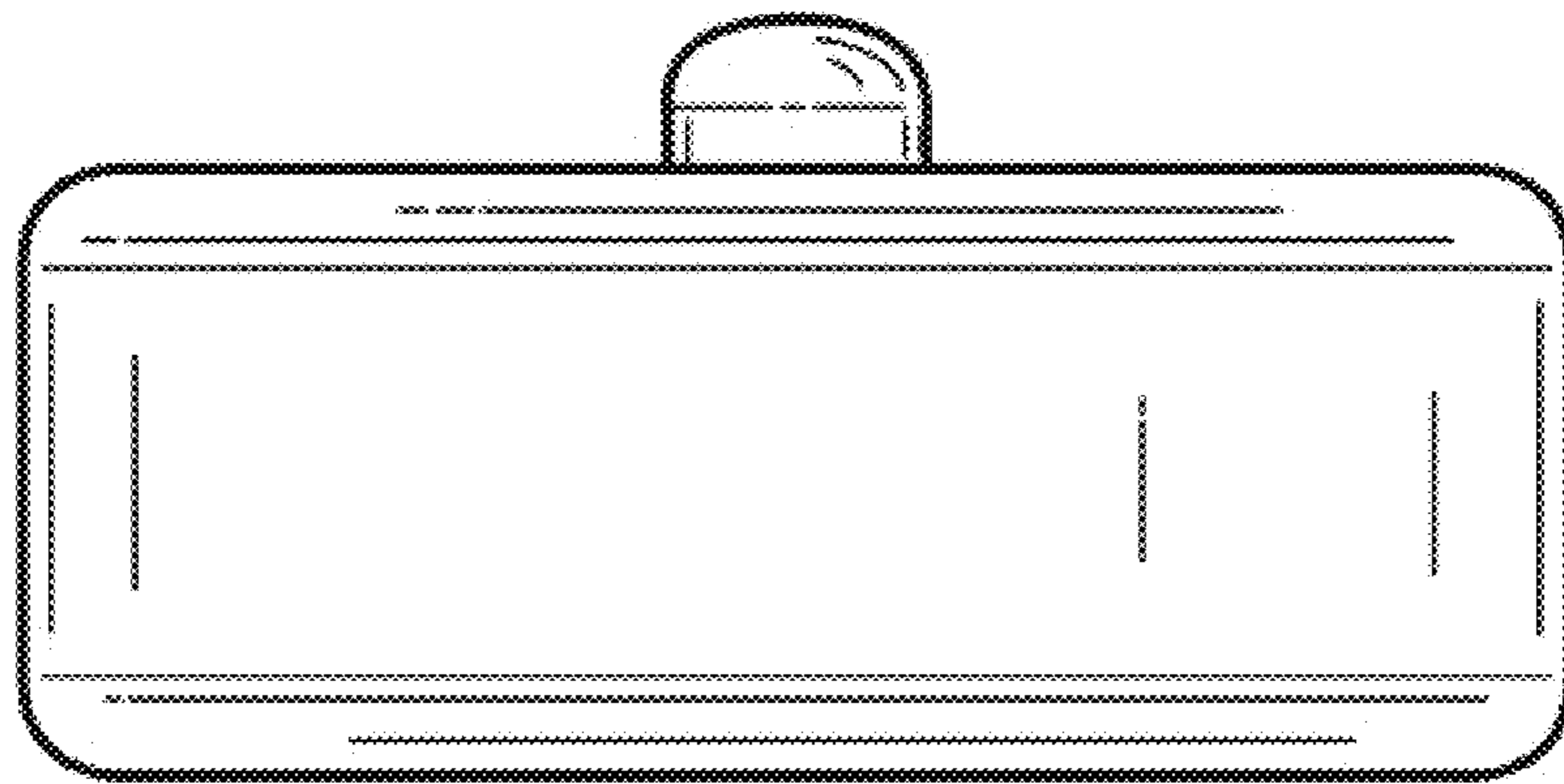


FIG. 20

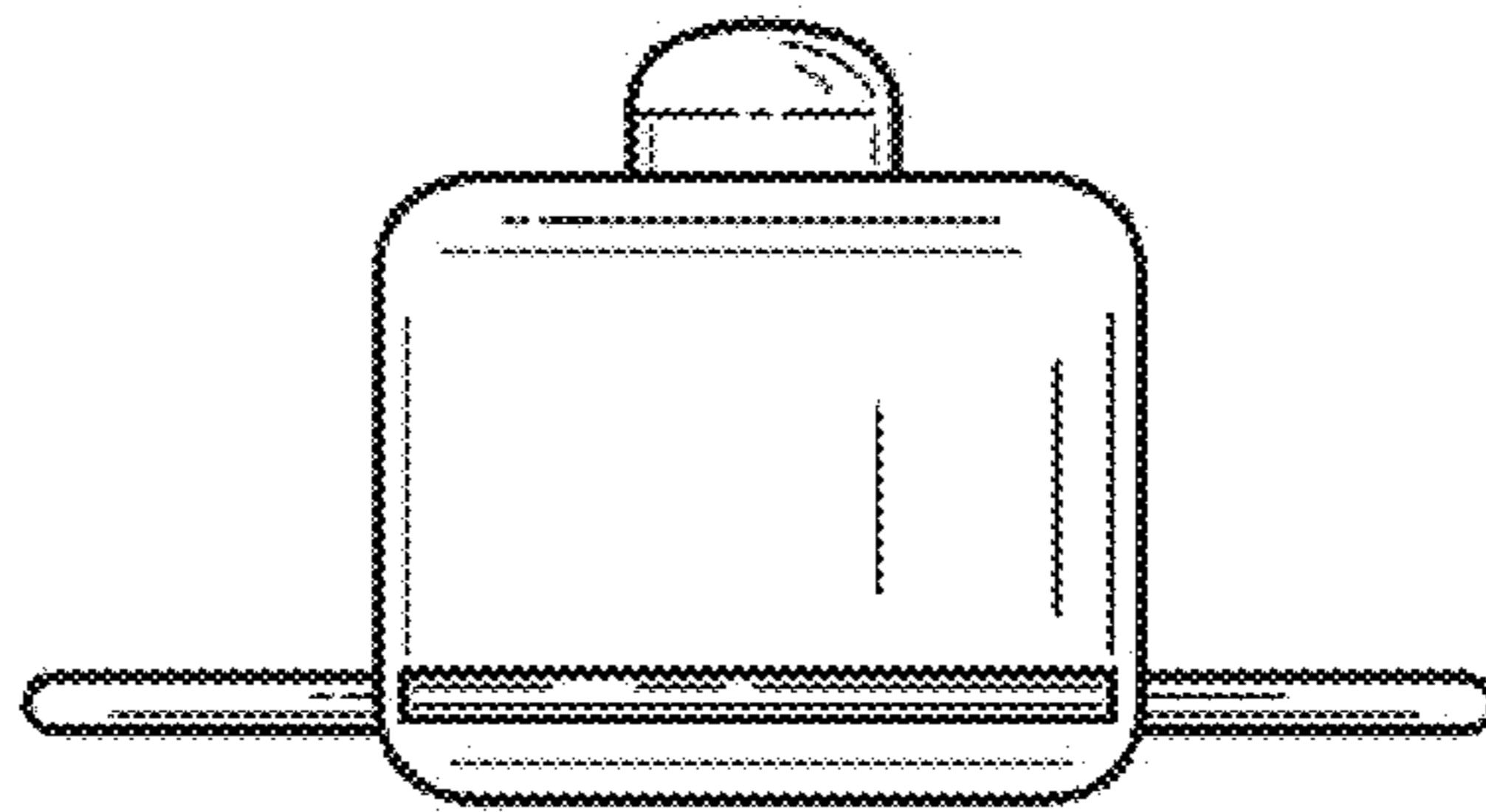


FIG. 21

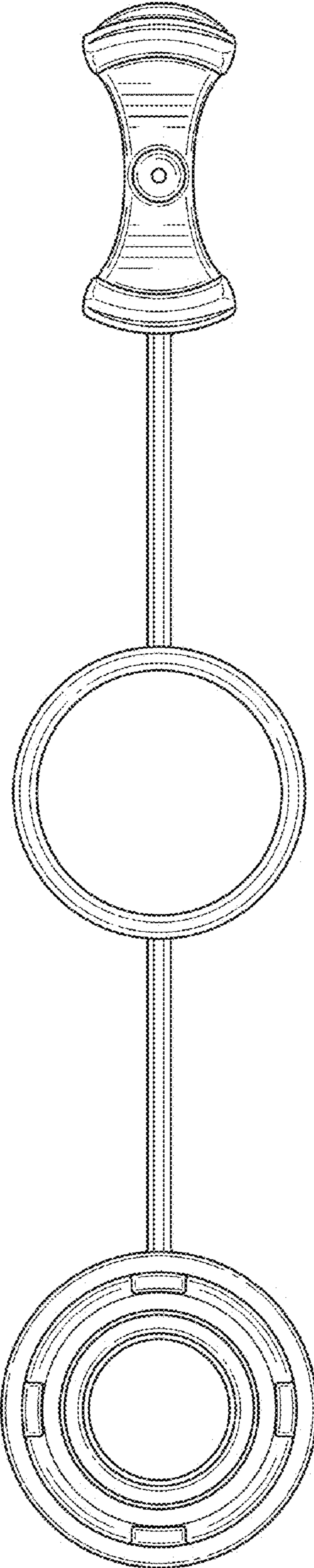


FIG. 22

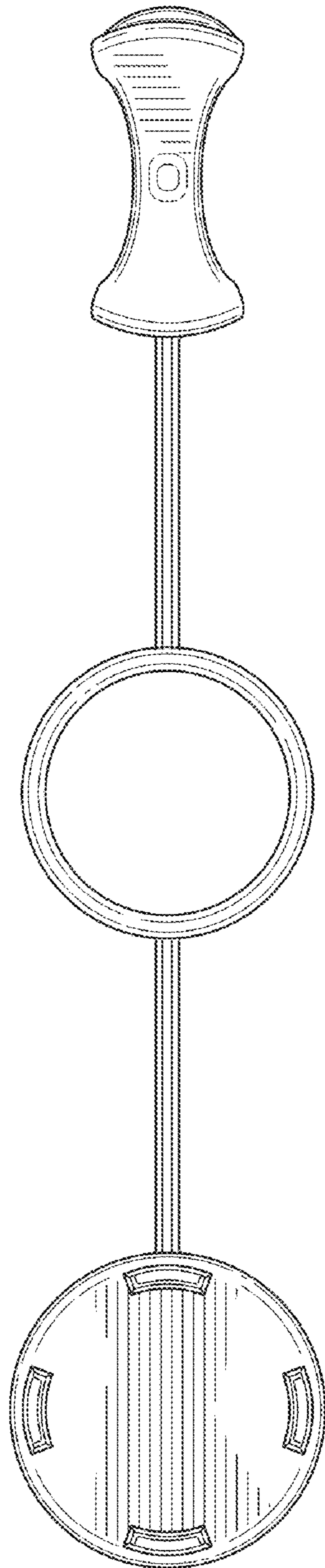


FIG. 23