



US00D679581S

(12) **United States Design Patent**  
**Liu et al.**

(10) **Patent No.:** **US D679,581 S**

(45) **Date of Patent:** **\*\* Apr. 9, 2013**

(54) **CABLE CLIP**

(75) Inventors: **Yu-Tso Liu**, New Taipei (TW); **Yu-Hua Hsieh**, New Taipei (TW); **Ming-Chia Chi**, New Taipei (TW)

(73) Assignee: **Cheng Uei Precision Industry Co., Ltd.**, New Taipei (TW)

(\*\*) Term: **14 Years**

(21) Appl. No.: **29/406,709**

(22) Filed: **Nov. 17, 2011**

(51) **LOC (9) Cl.** ..... **08-08**

(52) **U.S. Cl.** ..... **D8/395; D8/396**

(58) **Field of Classification Search** ..... D8/354, D8/356, 371, 394-396; D19/65, 86; D24/128; 248/74.2, 215, 227.1, 49, 300, 301, 316.7, 248/51, 489; 24/570, 3.12; D32/61; D11/78.1  
See application file for complete search history.

(56) **References Cited**

**U.S. PATENT DOCUMENTS**

D207,057 S *	2/1967	Palmer	.....	D8/395
3,340,352 A *	9/1967	Teagno et al.	.....	174/94 R
D275,174 S *	8/1984	Rolli	.....	D8/356
5,137,243 A *	8/1992	Stevens et al.	.....	248/316.7
5,350,331 A *	9/1994	Glickman	.....	446/126
D361,506 S *	8/1995	Rumpel	.....	D8/395
5,495,644 A *	3/1996	Meshner et al.	.....	24/3.12

5,642,556 A *	7/1997	Alexander	.....	24/163 K
D391,843 S *	3/1998	Glickman et al.	.....	D8/382
D392,555 S *	3/1998	Glickman et al.	.....	D8/382
D406,170 S *	2/1999	Wolff	.....	D19/65
7,040,587 B2 *	5/2006	Thompson et al.	.....	248/214
D534,065 S *	12/2006	Andre et al.	.....	D8/395
D549,557 S *	8/2007	Mori et al.	.....	D8/356
D575,143 S *	8/2008	Kuo et al.	.....	D8/394
D608,629 S *	1/2010	Daugherty et al.	.....	D8/395
D647,787 S *	11/2011	Duval	.....	D8/394
D648,685 S *	11/2011	Symons	.....	D13/155
D650,951 S *	12/2011	Connelly et al.	.....	D30/136
D651,363 S *	12/2011	Connelly et al.	.....	D30/136
D659,527 S *	5/2012	Boucher-Gagne et al.	....	D8/395

\* cited by examiner

*Primary Examiner* — John Windmuller

(74) *Attorney, Agent, or Firm* — Cheng-Ju Chiang

(57) **CLAIM**

The ornamental design for a cable clip, as shown and described.

**DESCRIPTION**

FIG. 1 is a perspective view of a cable clip showing our new design;

FIG. 2 is a front elevational view thereof;

FIG. 3 is a rear elevational view thereof;

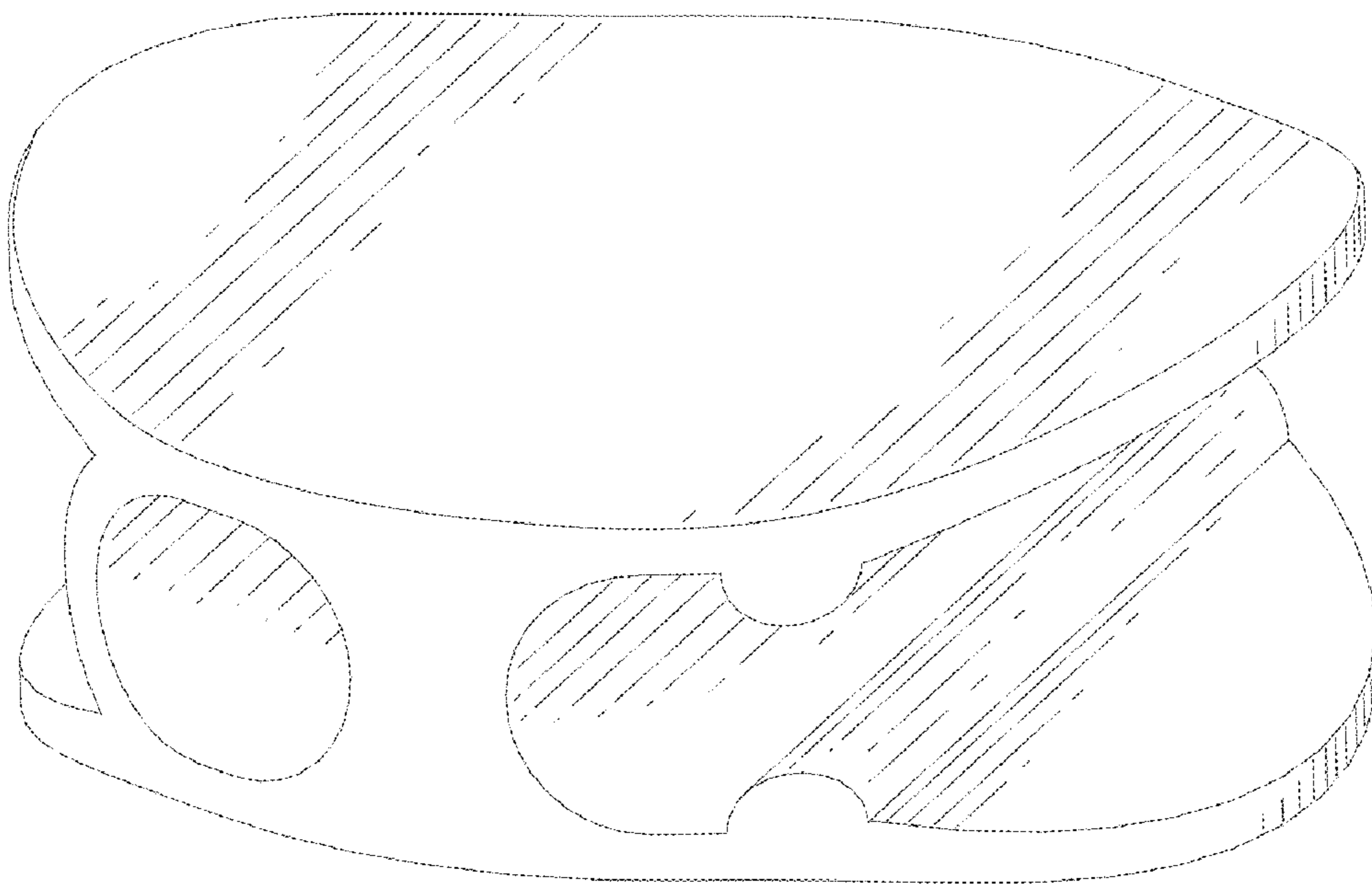
FIG. 4 is a left side elevational view thereof;

FIG. 5 is a right side elevational view thereof;

FIG. 6 is a top plan view thereof; and,

FIG. 7 is a bottom plan view thereof.

**1 Claim, 7 Drawing Sheets**



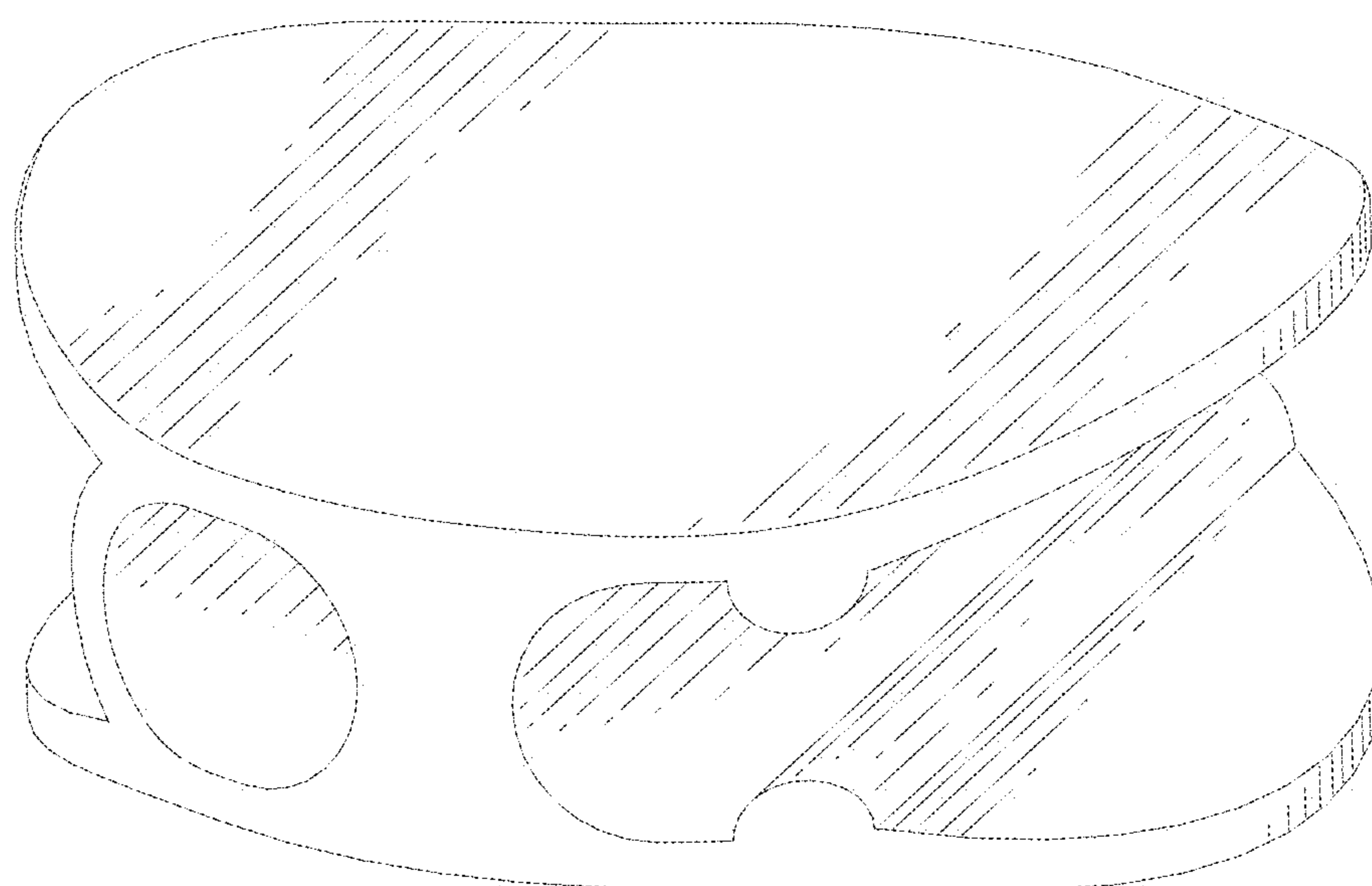


FIG. 1

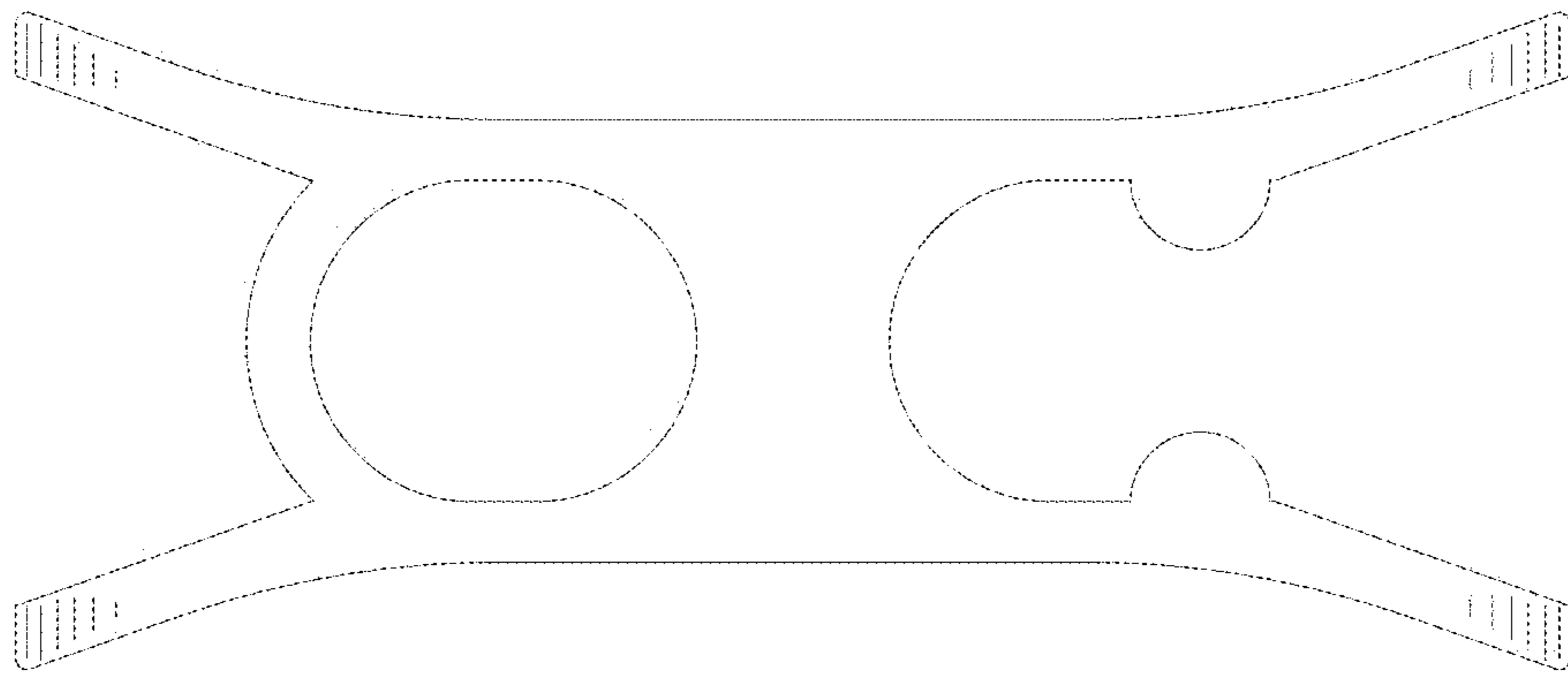


FIG. 2

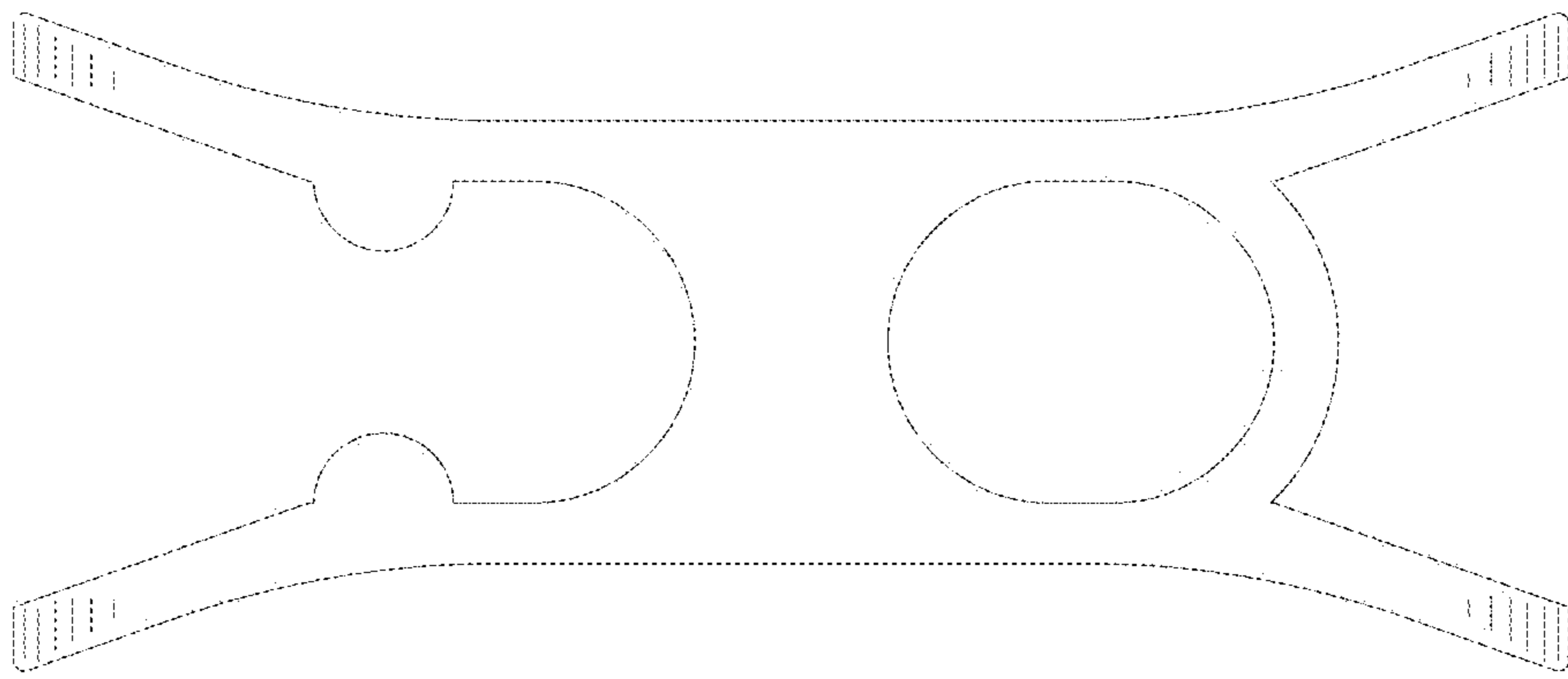


FIG. 3

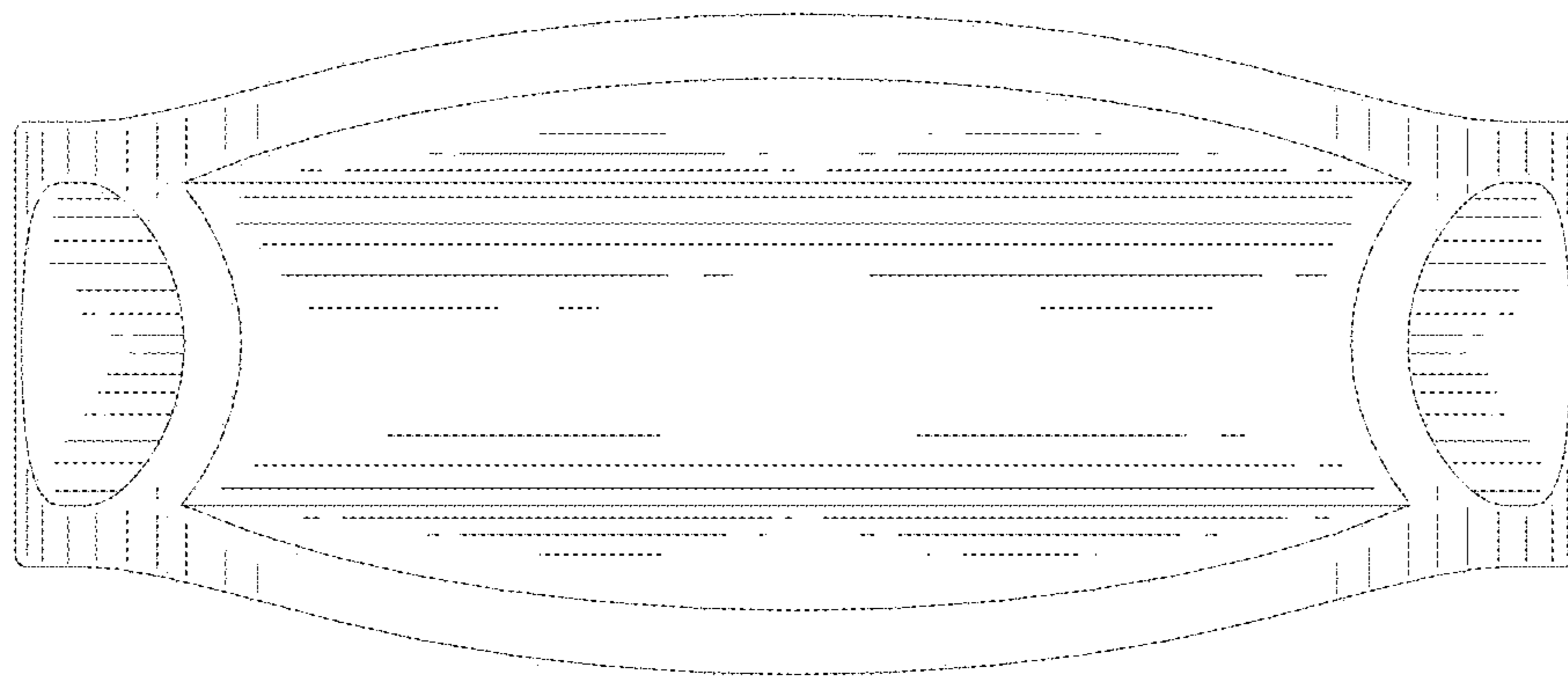


FIG. 4

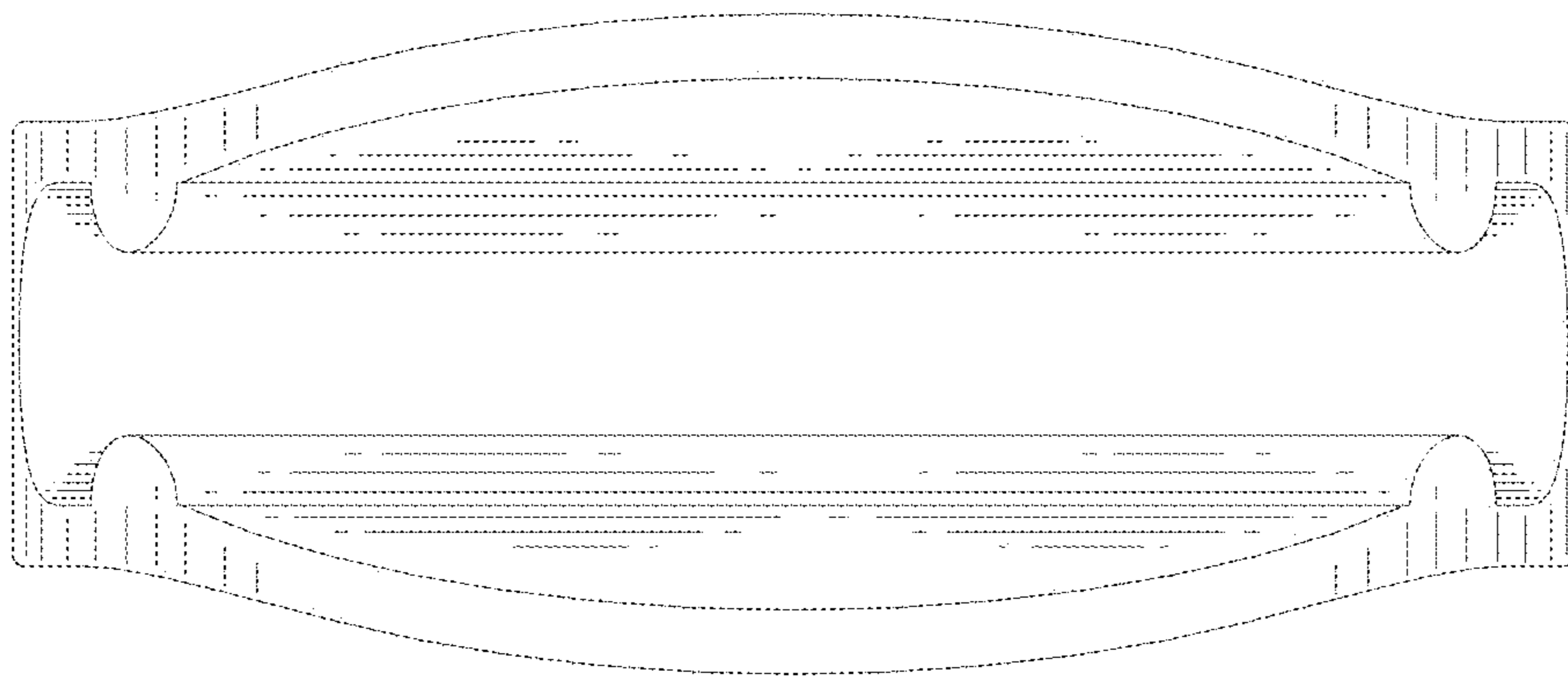


FIG. 5

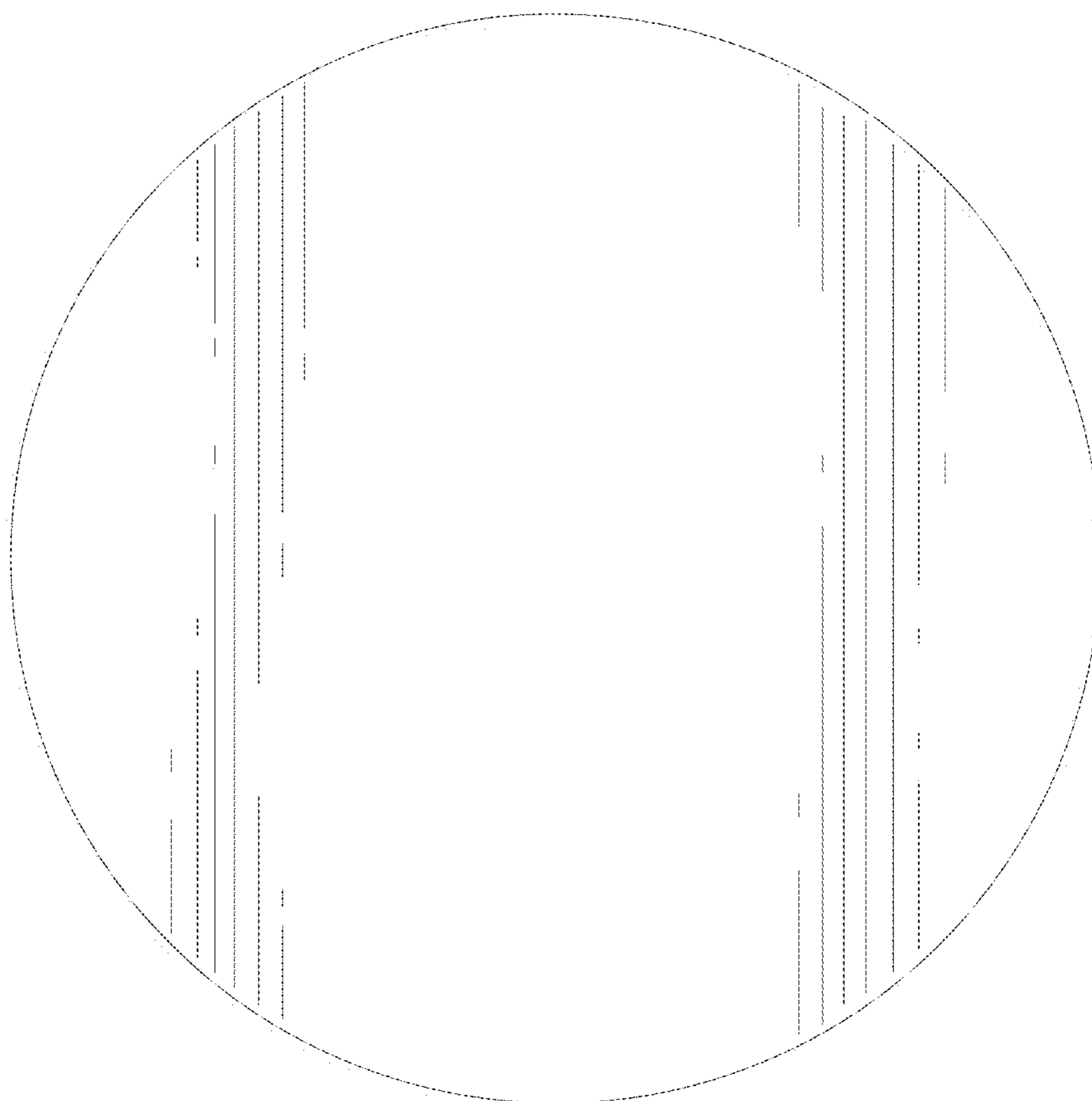


FIG. 6

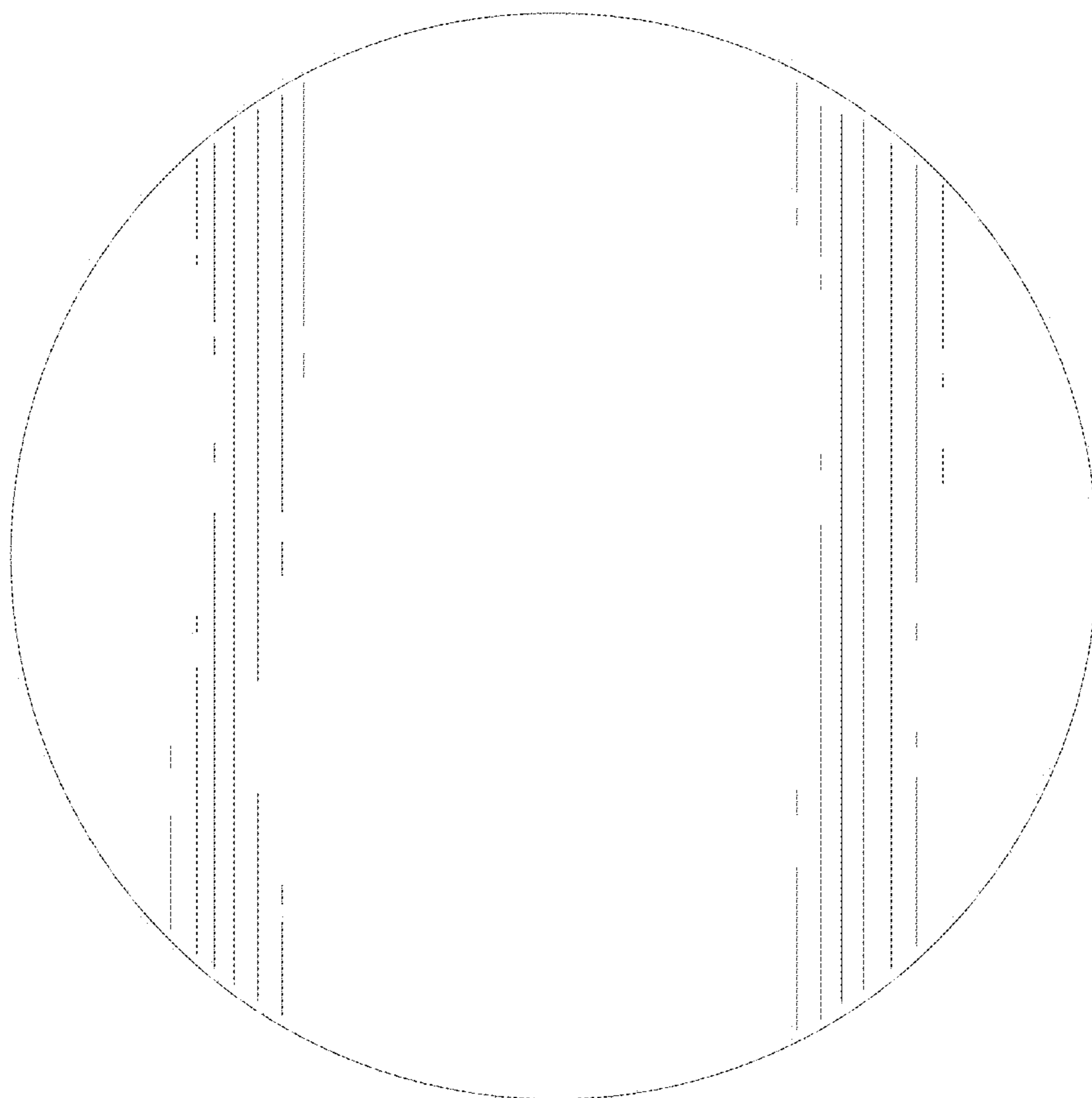


FIG. 7