

US00D679580S

(12) **United States Design Patent**
Fitzpatrick et al.

(10) **Patent No.:** **US D679,580 S**

(45) **Date of Patent:** **** *Apr. 9, 2013**

(54) **SNAP CLIP**

(75) Inventors: **Richard Fitzpatrick**, Longmont, CO (US); **Michael T. Mayberry**, Denver, CO (US); **Nick Kielsmeier**, Thornton, CO (US)

(73) Assignee: **Magpul Industries Corporation**, Erie, CO (US)

(*) Notice: This patent is subject to a terminal disclaimer.

(**) Term: **14 Years**

(21) Appl. No.: **29/400,399**

(22) Filed: **Aug. 26, 2011**

(51) **LOC (9) Cl.** **08-08**

(52) **U.S. Cl.**
USPC **D8/395**

(58) **Field of Classification Search** D8/394-396, D8/72, 367, 373; D19/56, 65, 86; 24/67.3, 24/265 R; D32/60-64; D28/40; 42/85; 224/150; D22/108

See application file for complete search history.

(56) **References Cited**

U.S. PATENT DOCUMENTS

D212,444 S 10/1968 Coon
D251,345 S 3/1979 Bigelow et al.
D277,534 S 2/1985 Warmath
5,402,558 A 4/1995 Santapa

6,178,600 B1 1/2001 French
D477,364 S 7/2003 Tsai
D550,551 S 9/2007 Howard
D604,154 S 11/2009 Allsopp
7,654,028 B1 2/2010 Grover
D632,954 S * 2/2011 Fitzpatrick et al. D8/395
2010/0199541 A1 8/2010 Vest et al.

* cited by examiner

Primary Examiner — John Windmuller

(74) *Attorney, Agent, or Firm* — Swanson & Bratschun, L.L.C.

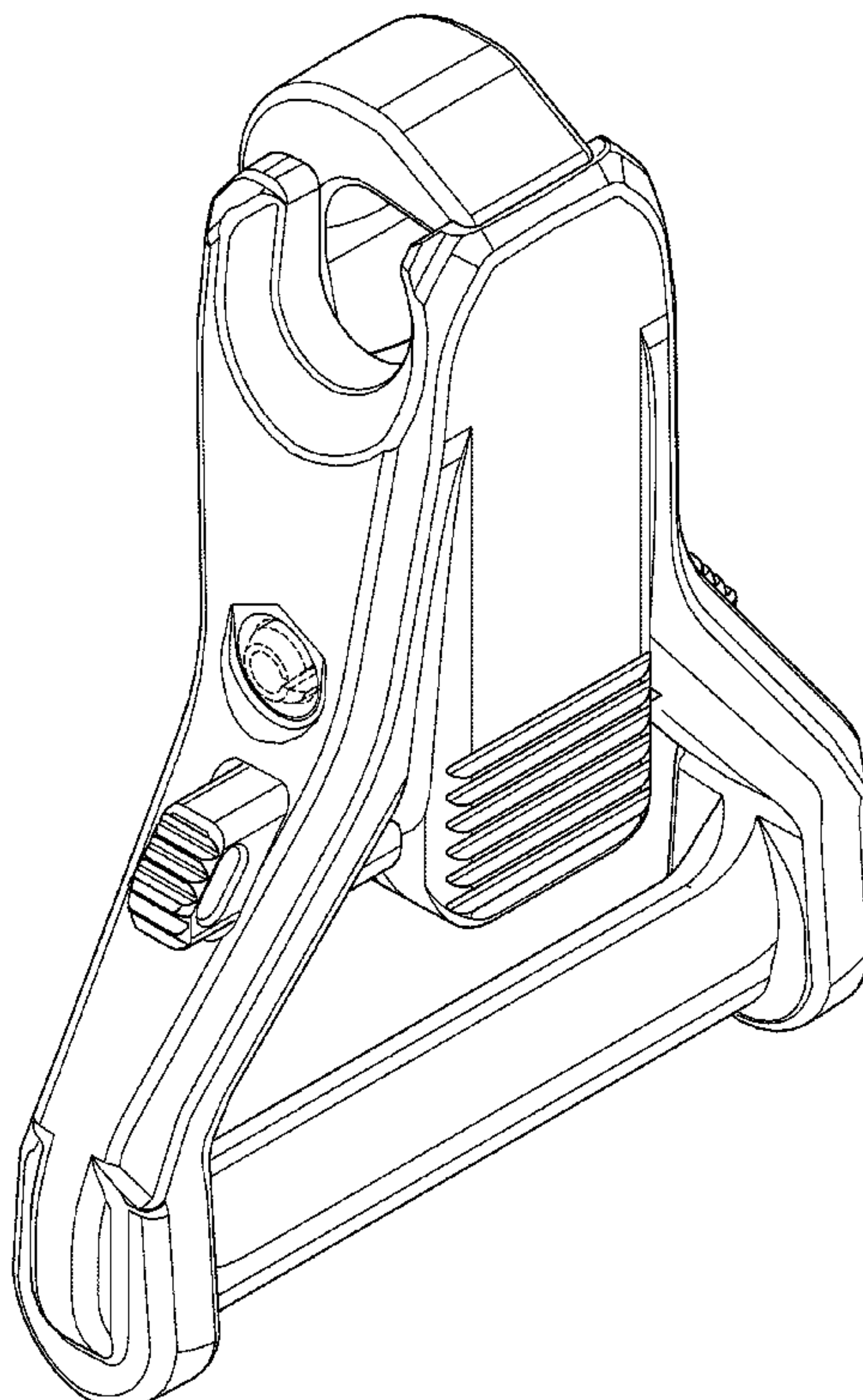
(57) **CLAIM**

The ornamental design for a snap clip, as shown and described.

DESCRIPTION

FIG. 1 is a top, right, front elevation view of a snap clip attached to a sling showing our new design;
FIG. 2 is a bottom, left, front perspective view of the snap clip of FIG. 1 with the sling omitted;
FIG. 3 is a top plan view of the snap clip of FIG. 1;
FIG. 4 is a bottom plan view of the snap clip of FIG. 1;
FIG. 5 is a front elevation view of the snap clip of FIG. 1;
FIG. 6 is a rear elevation view of the snap clip of FIG. 1;
FIG. 7 is a left side elevation view of the snap clip of FIG. 1; and,
FIG. 8 is a right side elevation view of the snap clip of FIG. 1. The broken lines in the figures show portions of the clip and environment which form no part of the claimed design.

1 Claim, 6 Drawing Sheets



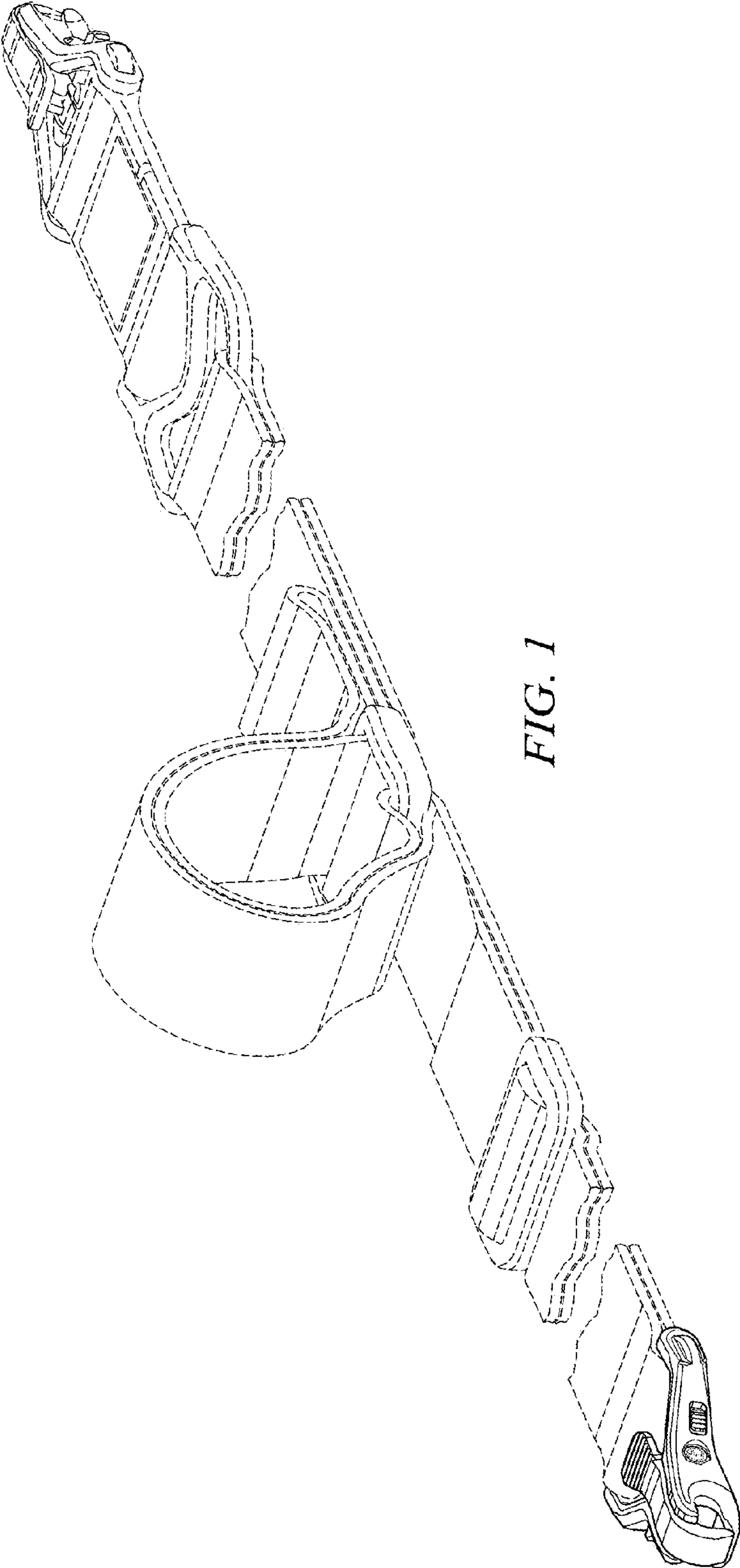


FIG. 1

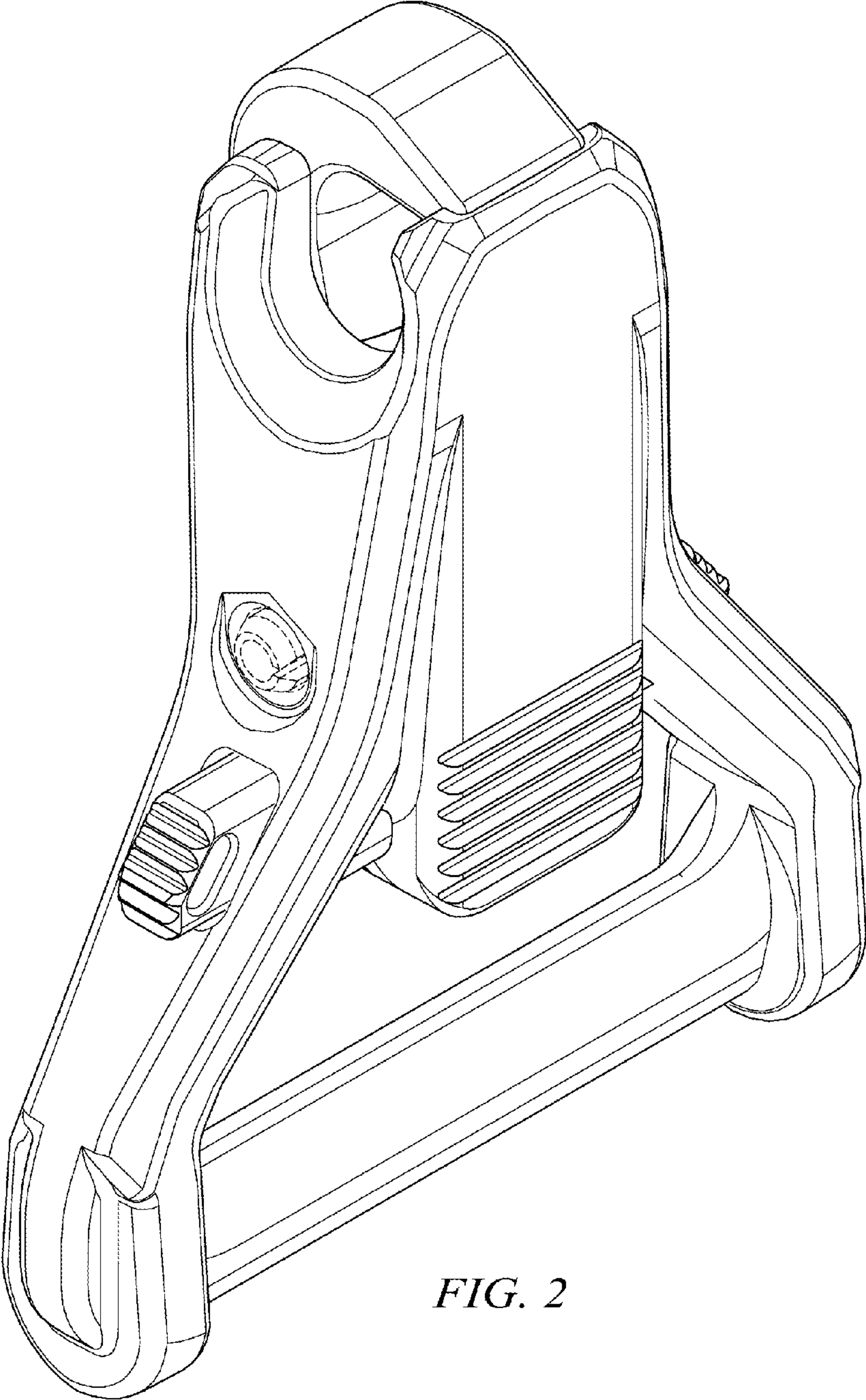


FIG. 2

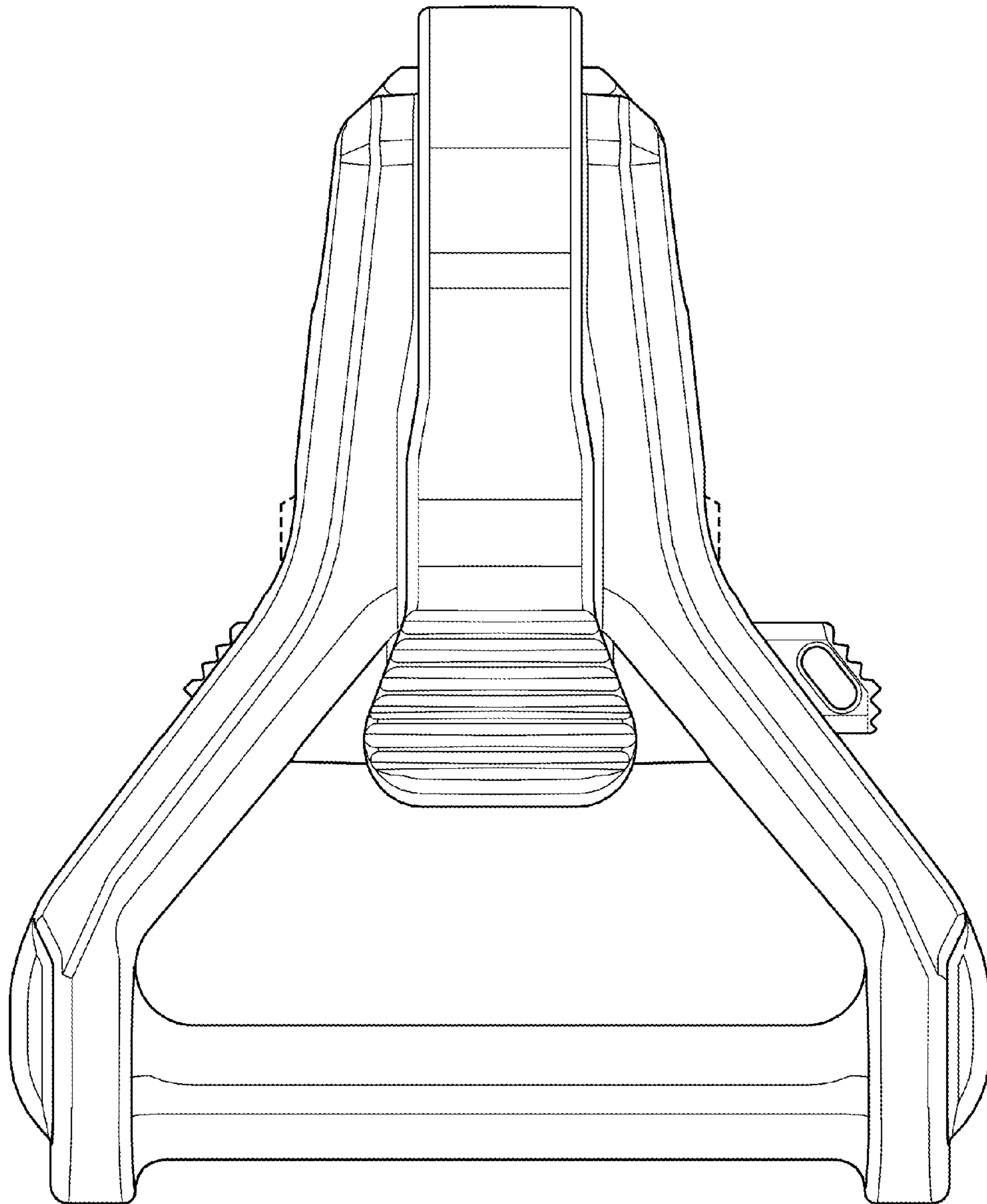


FIG. 3

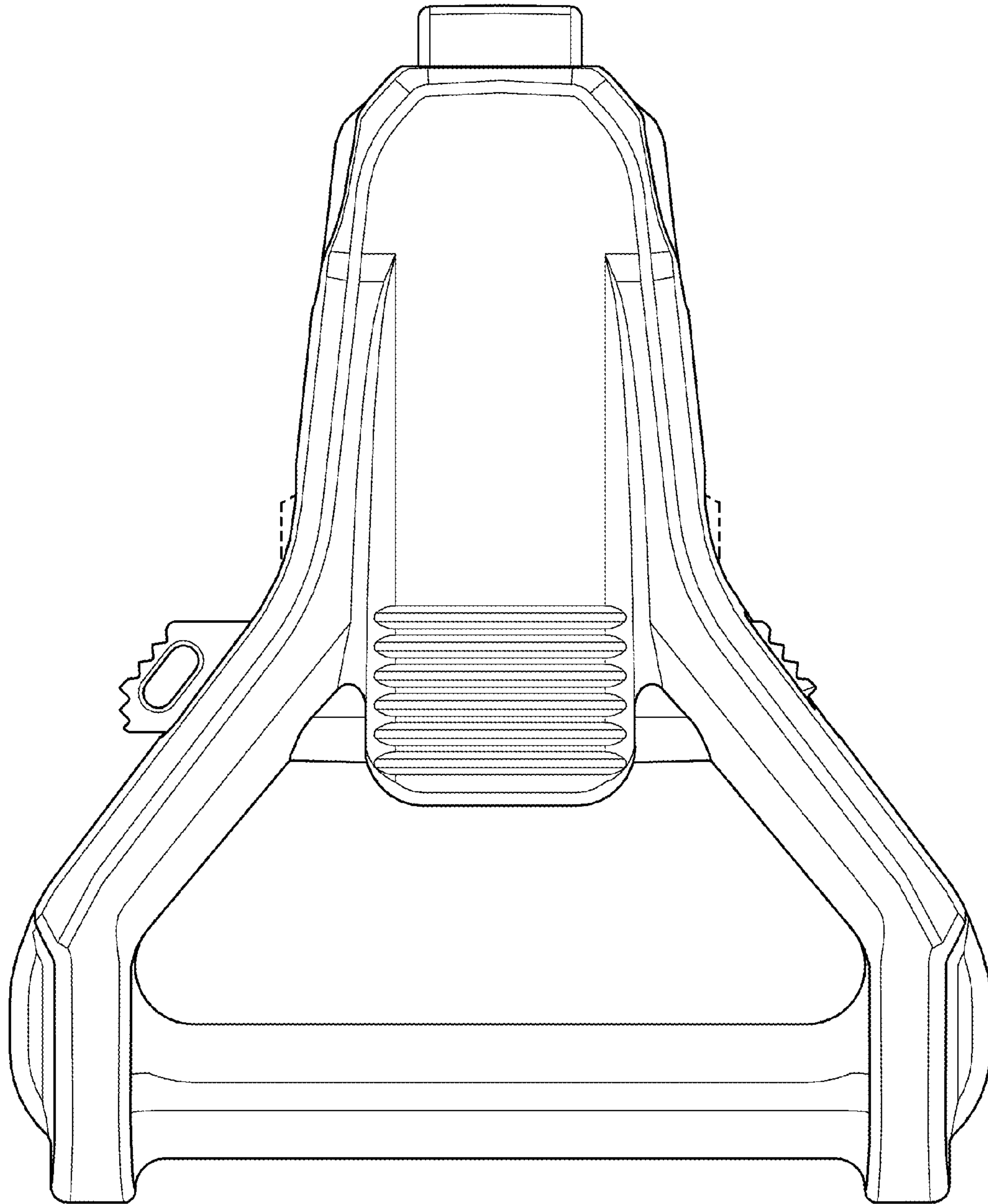


FIG. 4

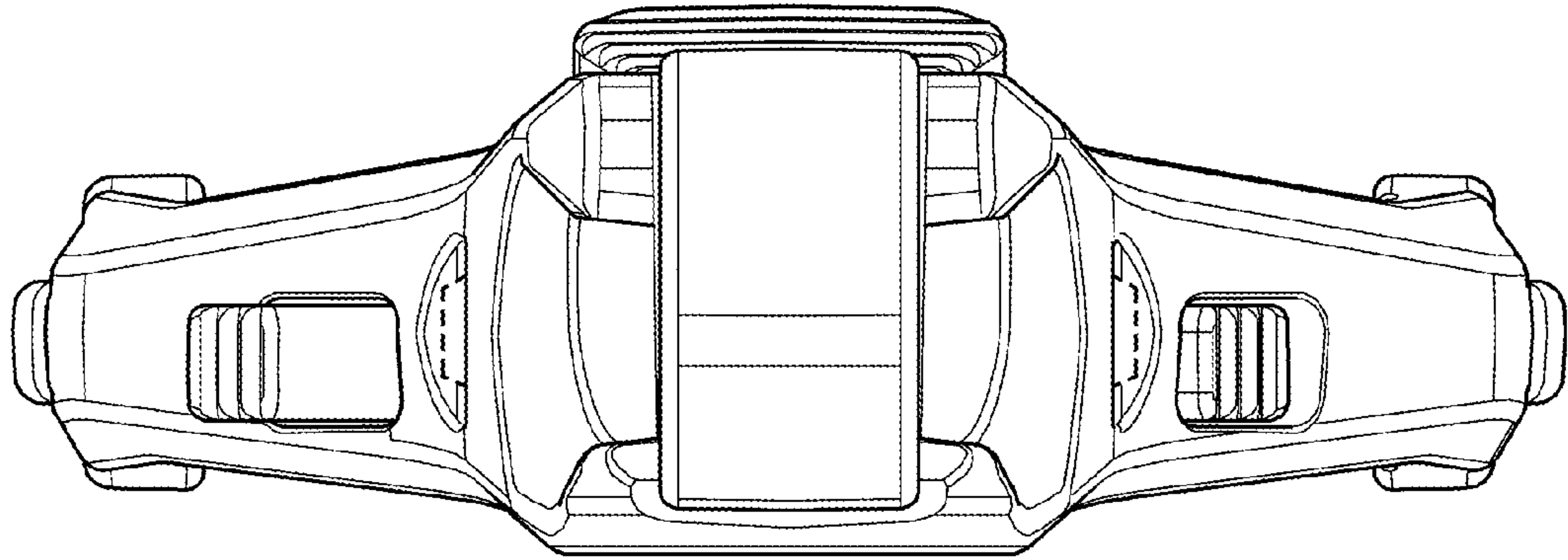


FIG. 5

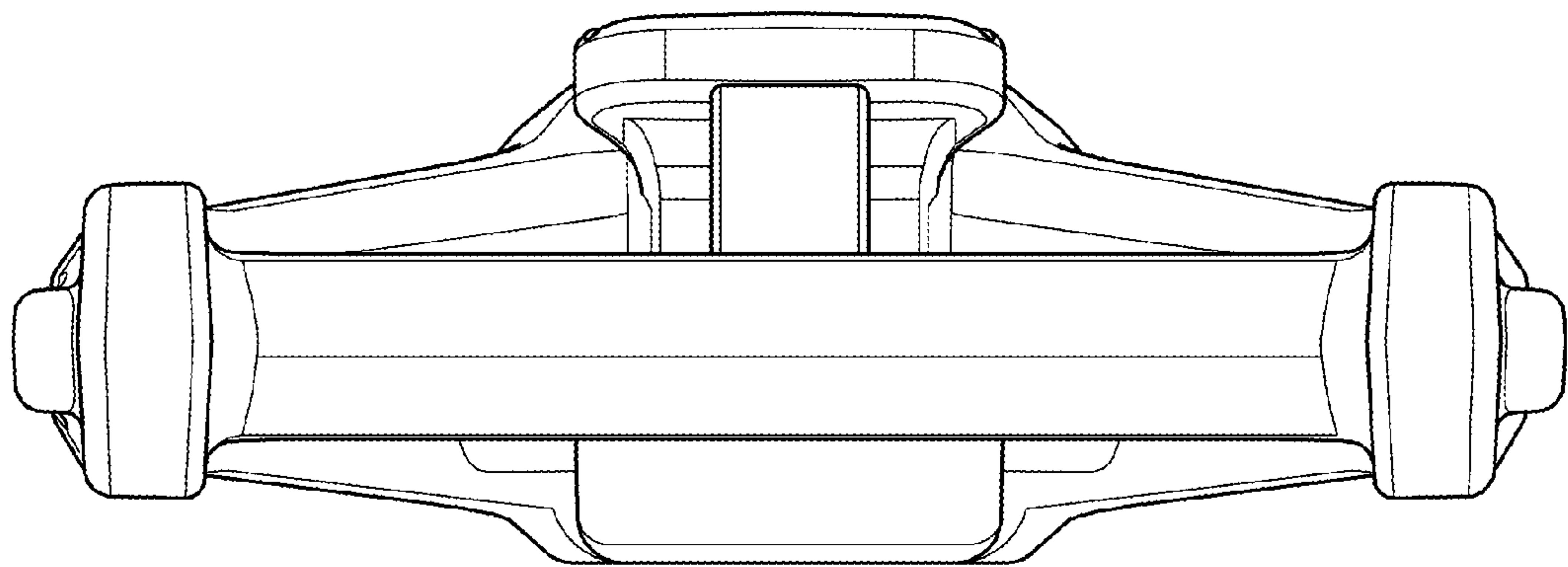


FIG. 6

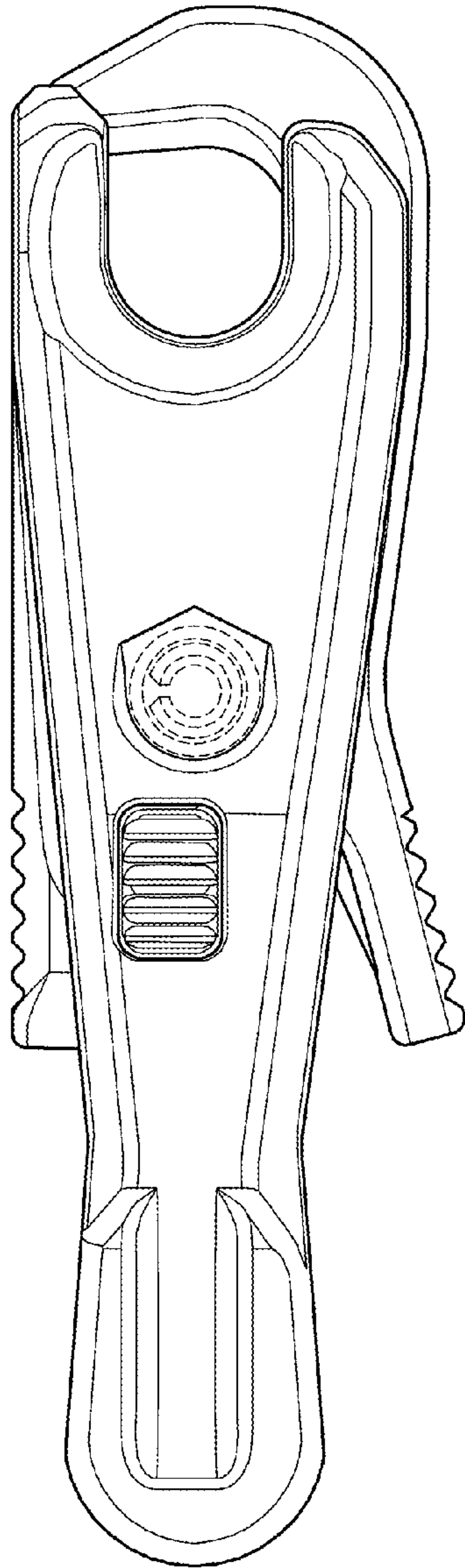


FIG. 7

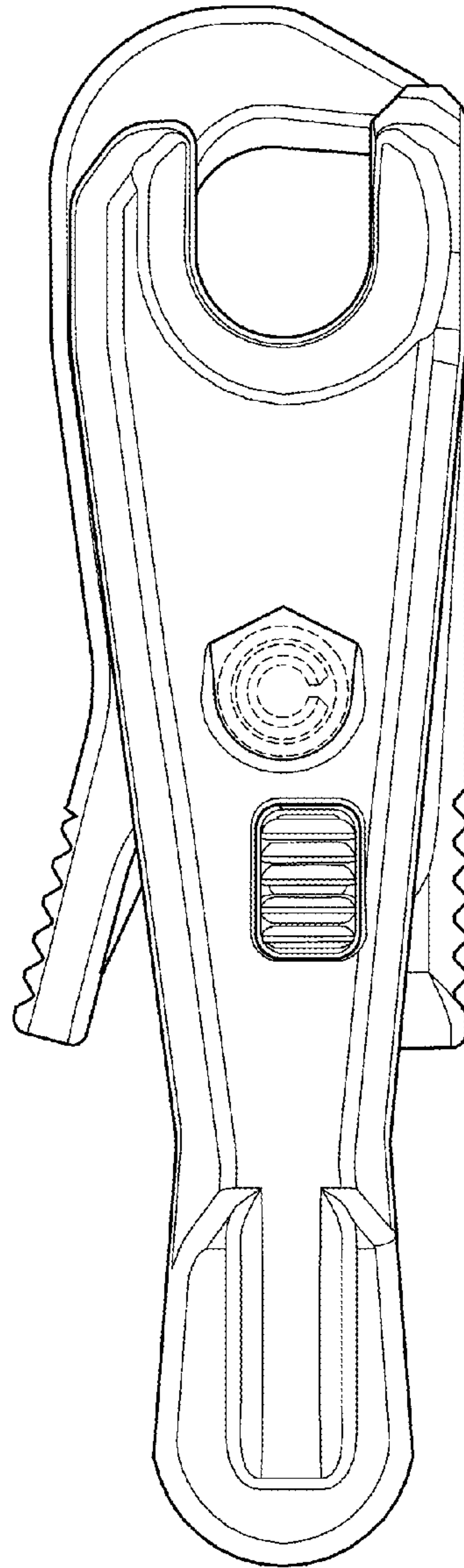


FIG. 8