

US00D679576S

(12) **United States Design Patent**
Paul

(10) **Patent No.:** **US D679,576 S**

(45) **Date of Patent:** **** Apr. 9, 2013**

(54) **CURVE ARM FOR SPIDER CLAMP**

(75) Inventor: **Lawrence Paul**, Singapore (SG)

(73) Assignee: **Lisus Technology Pte. Ltd.**, Singapore (SG)

(**) Term: **14 Years**

(21) Appl. No.: **29/394,244**

(22) Filed: **Jun. 15, 2011**

(51) **LOC (9) Cl.** **08-05**

(52) **U.S. Cl.**
USPC **D8/354; D8/382; D8/394**

(58) **Field of Classification Search** D8/349,
D8/354, 355, 380, 382, 383, 373, 394, 71-74,
D8/395-397, 24, 25, 27, 29; 248/200, 205.1,
248/205.3, 205.5, 241, 274, 62, 313; 403/369,
403/170, 171, 172, 178, 179, 186, 217, 268,
403/300, 75, 124, 143; D34/35; 269/3, 6,
269/143, 165, 240, 249; 81/355, 356, 353,
81/487, 476

See application file for complete search history.

(56) **References Cited**

U.S. PATENT DOCUMENTS

1,923,811	A	8/1933	Burger	
2,662,725	A	12/1953	McVeigh	
2,903,223	A	9/1959	De Gray	
3,762,237	A	10/1973	Stevko	
D275,431	S	9/1984	Usab	
D392,543	S	3/1998	Pratico, Jr.	
5,845,885	A *	12/1998	Carnevali	248/181.1
D439,135	S *	3/2001	Elmer	D8/349
D462,893	S	9/2002	Sung	
6,467,227	B2	10/2002	Elmer	
6,854,698	B2	2/2005	Oddsens, Jr.	
D521,850	S *	5/2006	Richter et al.	D8/354
D522,010	S *	5/2006	Piazza et al.	D14/452
D553,456	S *	10/2007	Hu	D8/25

D562,331	S *	2/2008	Li	D14/452
D588,432	S *	3/2009	Weinberg et al.	D8/73
D588,903	S	3/2009	Carnevali	
D599,355	S	9/2009	Richter	
D617,329	S *	6/2010	Woodward et al.	D14/451
D619,586	S *	7/2010	Richter	D14/447
D619,587	S *	7/2010	Richter	D14/447
D626,541	S *	11/2010	Kim et al.	D14/253
7,963,079	B2 *	6/2011	Schulte	52/235
7,987,643	B2 *	8/2011	Nugue et al.	52/235
D662,398	S *	6/2012	Jahnke et al.	D8/355
2001/0000274	A1	4/2001	Elmer et al.	
2002/0012568	A1	1/2002	Elmer	
2002/0050108	A1	5/2002	Kreyenborg et al.	
2003/0138292	A1	7/2003	Zeng	
2005/0185816	A1	8/2005	Roark et al.	
2008/0196335	A1	8/2008	Lin	

OTHER PUBLICATIONS

Welded Truss System Product Sheet, 1 page, pre-Jun. 23, 2008.
Glass Fin Systems Product Sheet, 1 page, pre-Jun. 23, 2008.

(Continued)

Primary Examiner — Mark Goodwin

(74) *Attorney, Agent, or Firm* — Niels, Lemack & Frame, LLC

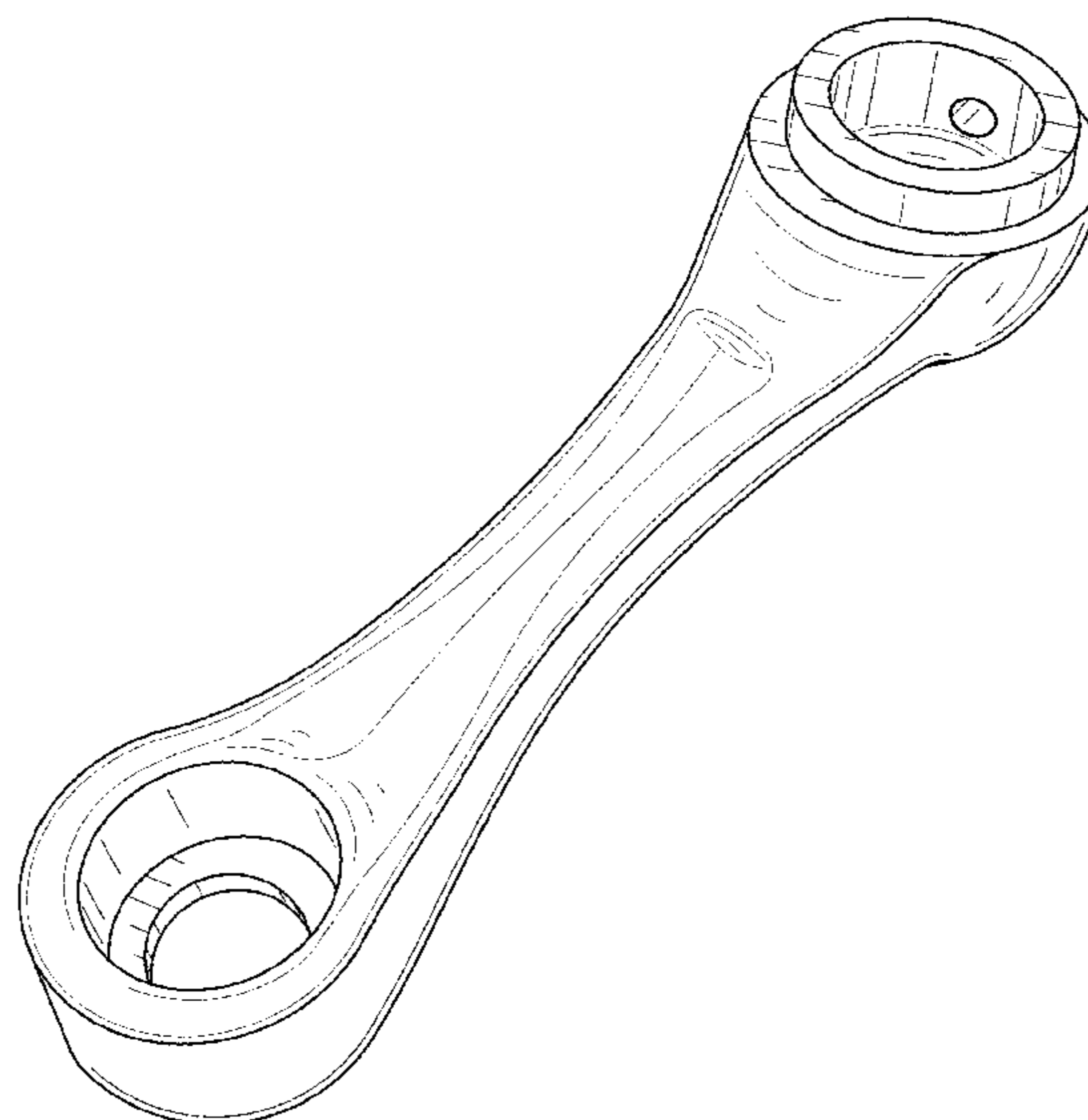
(57) **CLAIM**

The ornamental design for a curve arm for spider clamp, as shown and described.

DESCRIPTION

FIG. 1 is a top perspective view of the curve arm for spider clamp showing my new design;
FIG. 2 is a top view of the spider clamp;
FIG. 3 is a bottom view of the spider clamp;
FIG. 4 is a side view of the spider clamp;
FIG. 5 is a rear view of the spider clamp; and,
FIG. 6 is a front view of the spider clamp.

1 Claim, 5 Drawing Sheets



US D679,576 S

Page 2

OTHER PUBLICATIONS

Product sheet labelled "Competitor's Systems", 1 page, pre-Jun. 23, 2008.

Lisus G-Clad Figures, 2 pages, pre-Jun. 23, 2008.

Office Action dated Jan. 5, 2010 in abandoned co-pending U.S. Appl. No. 29/307,139.

Final Rejection dated Jul. 29, 2010 in abandoned co-pending U.S. Appl. No. 29/307,139.

* cited by examiner

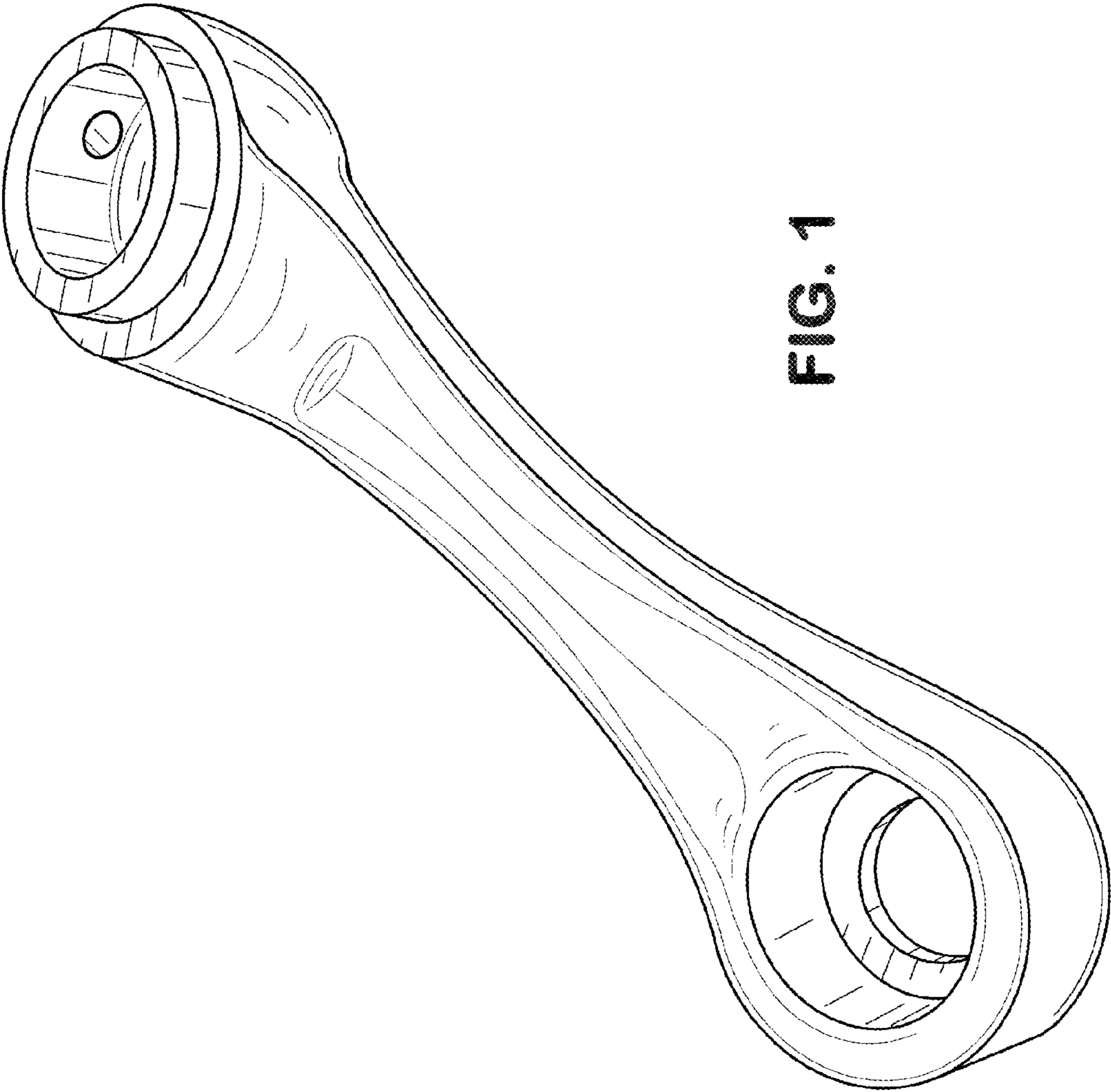


FIG. 1

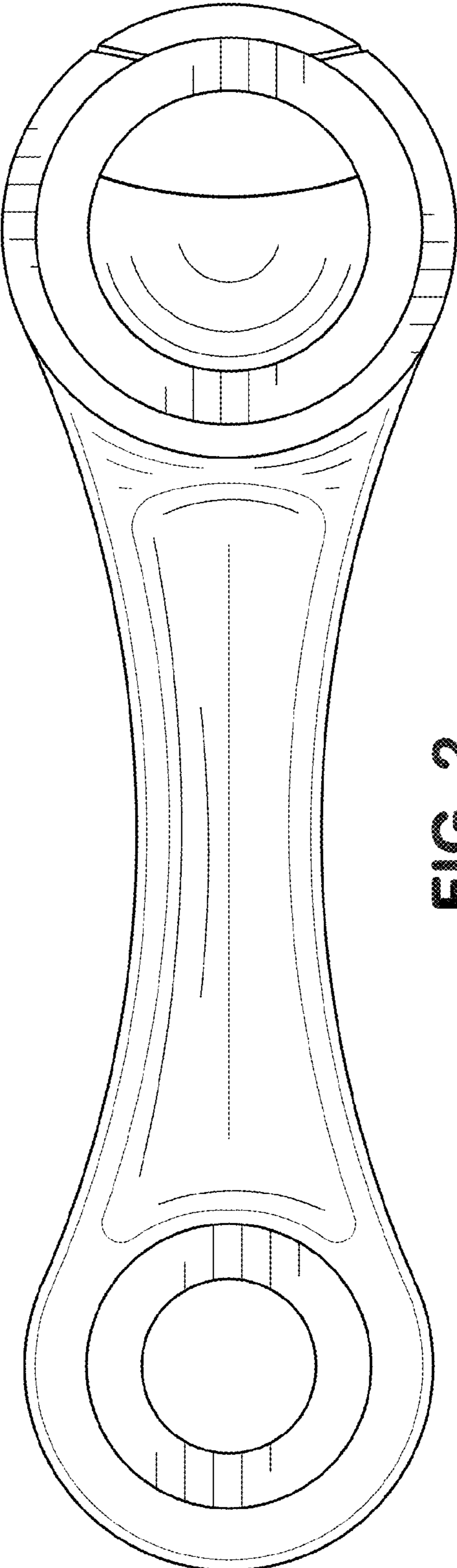


FIG. 2

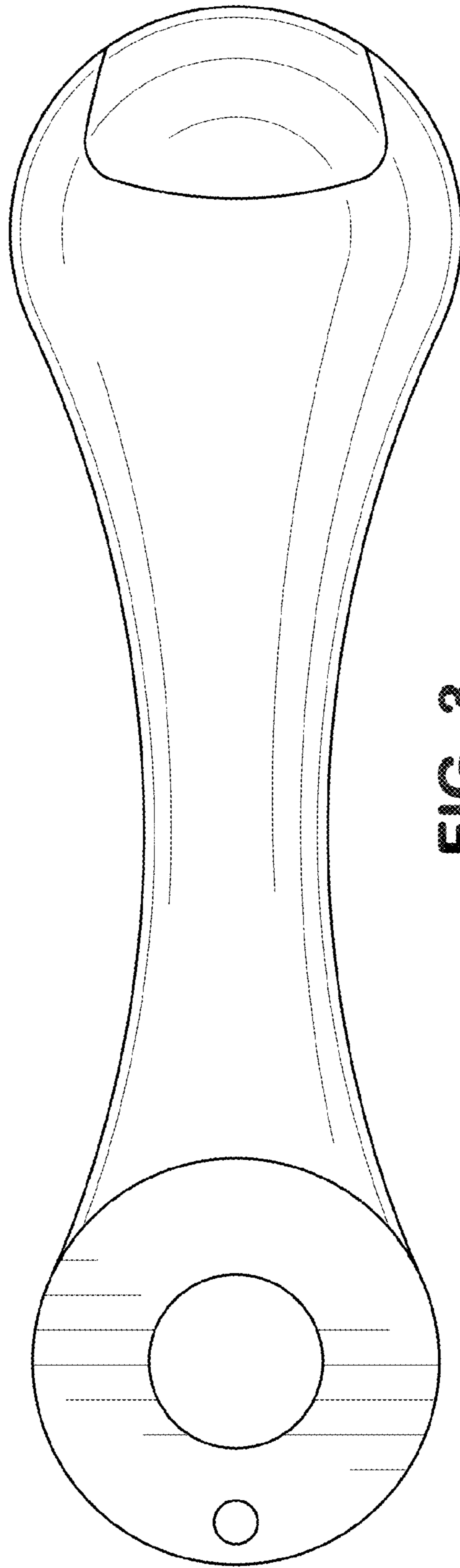


FIG. 3

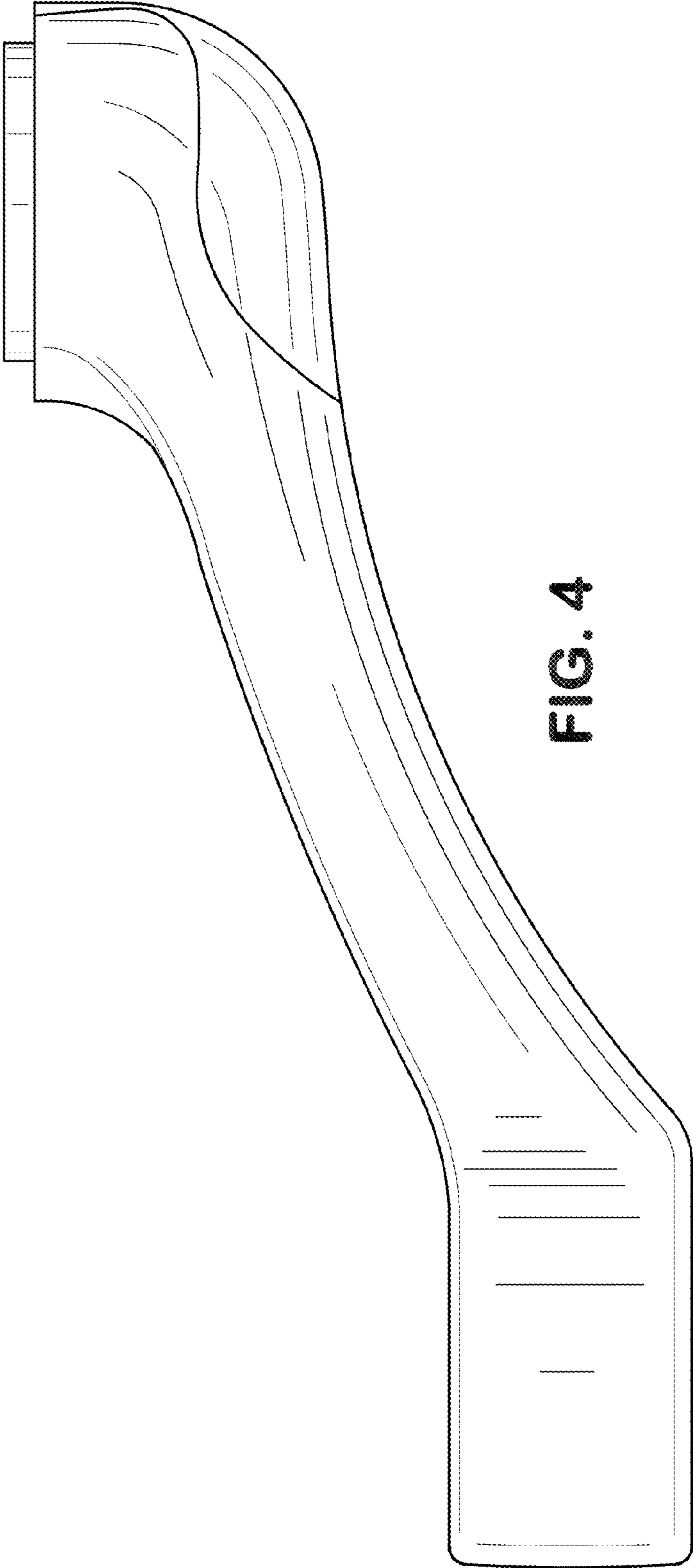


FIG. 4

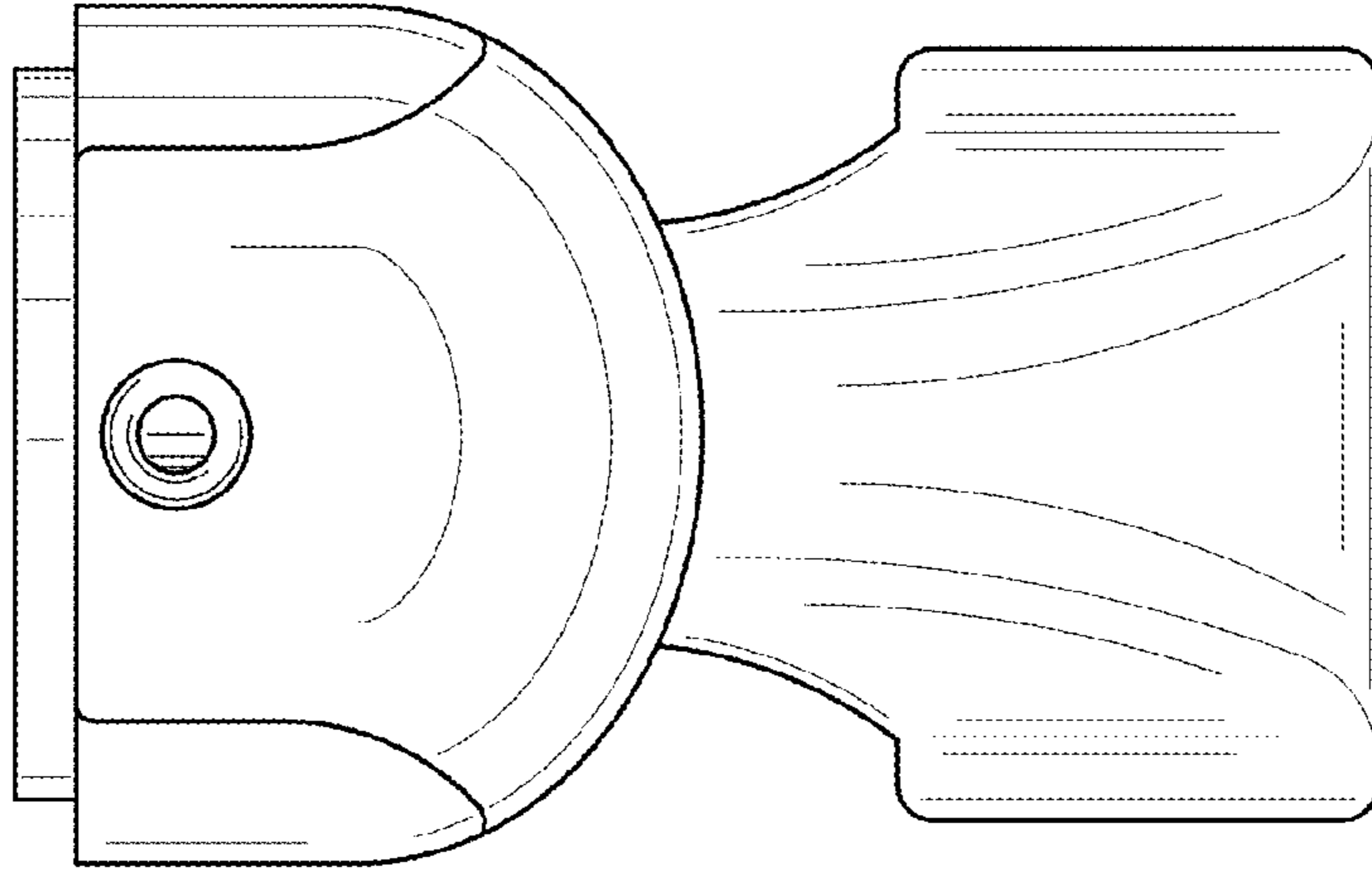


FIG. 6

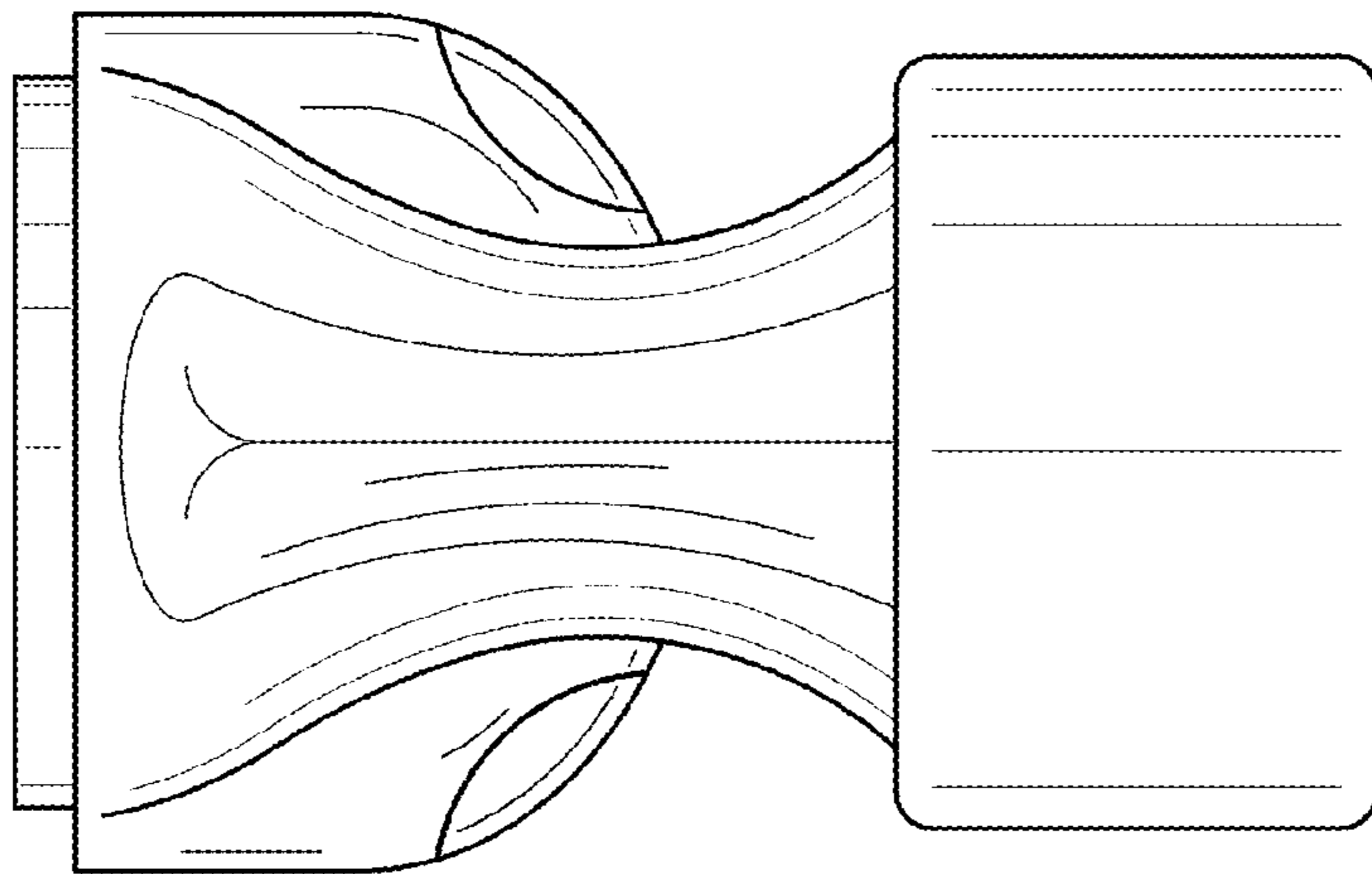


FIG. 5