



US00D679575S

(12) **United States Design Patent**
Chiu et al.

(10) **Patent No.:** **US D679,575 S**

(45) **Date of Patent:** **** Apr. 9, 2013**

(54) **ANTENNA CABLE CONNECTOR**

(75) Inventors: **Tsung-Wen Chiu**, Taipei County (TW);
Fu-Ren Hsiao, Taipei County (TW)

(73) Assignee: **Advanced Connectek, Inc.**, Taipei
County (TW)

(**) Term: **14 Years**

(21) Appl. No.: **29/387,763**

(22) Filed: **Mar. 17, 2011**

(30) **Foreign Application Priority Data**

Oct. 1, 2010 (TW) 99304979

(51) **LOC (9) Cl.** **08-05**

(52) **U.S. Cl.**
USPC **D8/354**

(58) **Field of Classification Search** D8/349,
D8/354, 382, 394, 395, 356, 380, 371, 366;
248/220.21, 300, 316.1; 403/381.14, 205,
403/295, 192; 52/238.1, 243.1, 394, 395,
52/578, 579, 584.1, 589.1

See application file for complete search history.

(56) **References Cited**

U.S. PATENT DOCUMENTS

1,848,085 A * 3/1932 Eisenschmidt 403/187
D112,555 S * 12/1938 Lowen D8/371
D142,539 S * 10/1945 White D8/366
D142,540 S * 10/1945 White D8/366
D265,969 S * 8/1982 Koessler D8/354

D341,075 S * 11/1993 Quinkert D8/354
D384,877 S * 10/1997 Perrin et al. D8/354
5,807,018 A * 9/1998 Peek et al. 403/397
6,539,161 B2 * 3/2003 Holman et al. 385/136
D473,783 S * 4/2003 Kiely D8/396
D479,984 S * 9/2003 Kiely D8/396
6,665,484 B2 * 12/2003 Douglas et al. 385/136
6,892,020 B2 * 5/2005 Douglas et al. 385/136
6,969,832 B1 * 11/2005 Daughtry, Sr. 219/531
D570,207 S * 6/2008 Cox et al. D8/396
D602,763 S * 10/2009 Peterson et al. D8/354
D613,578 S * 4/2010 Tejszerski D8/339
7,942,678 B2 * 5/2011 Sanford et al. 439/83
8,100,704 B1 * 1/2012 Wei 439/97
2011/0211801 A1 * 9/2011 McGranahan et al. 385/136

* cited by examiner

Primary Examiner — Mark Goodwin

(74) *Attorney, Agent, or Firm* — Schmeiser, Olsen & Watts
LLP

(57) **CLAIM**

The ornamental design for antenna cable connector, as shown
and described.

DESCRIPTION

FIG. 1 is a front perspective view of antenna cable connector
showing the new design;

FIG. 2 is a front elevational view thereof;

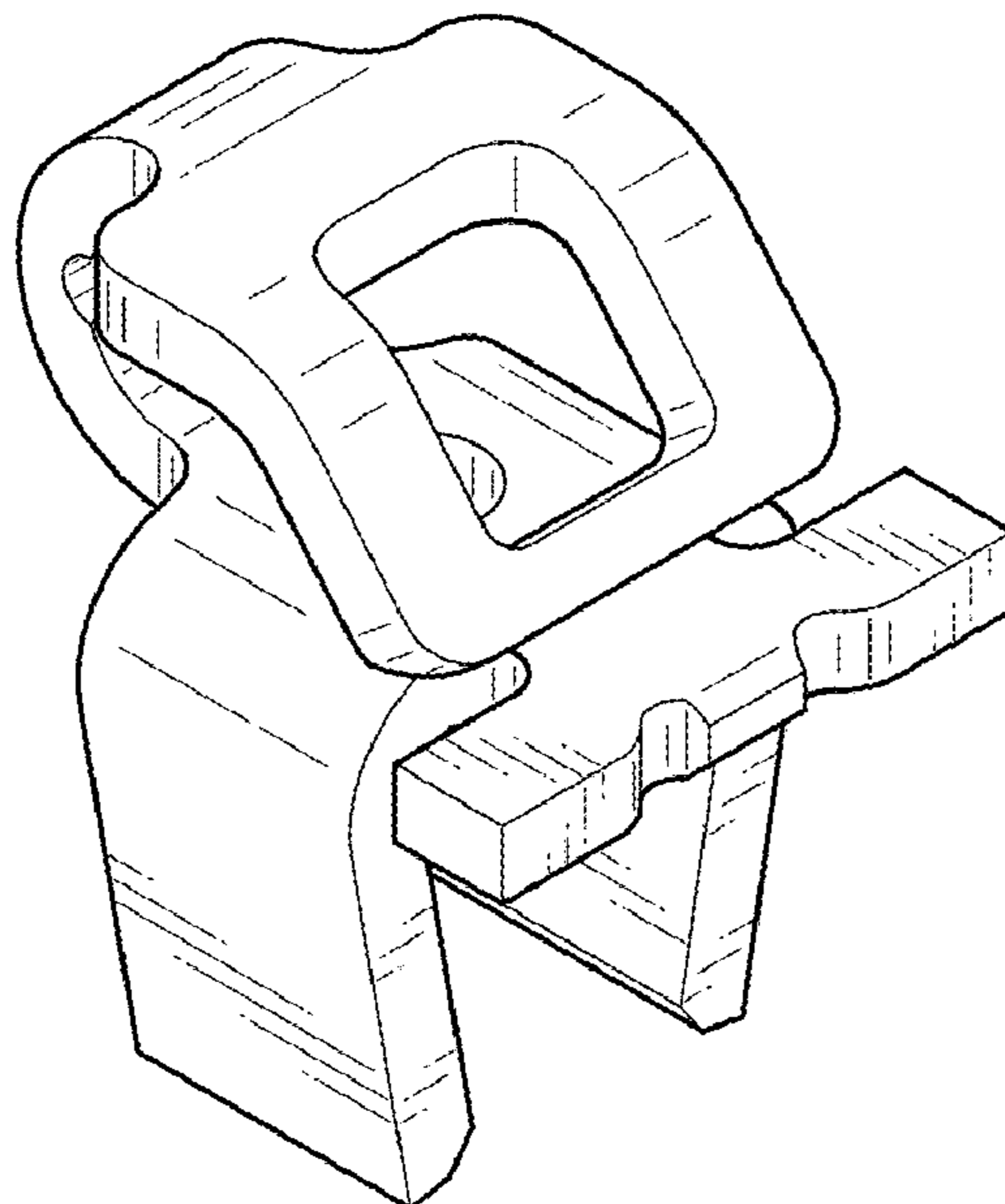
FIG. 3 is a rear elevational view thereof;

FIG. 4 is a left side elevational view thereof;

FIG. 5 is a top plan view thereof; and,

FIG. 6 is a bottom plan view thereof.

1 Claim, 3 Drawing Sheets



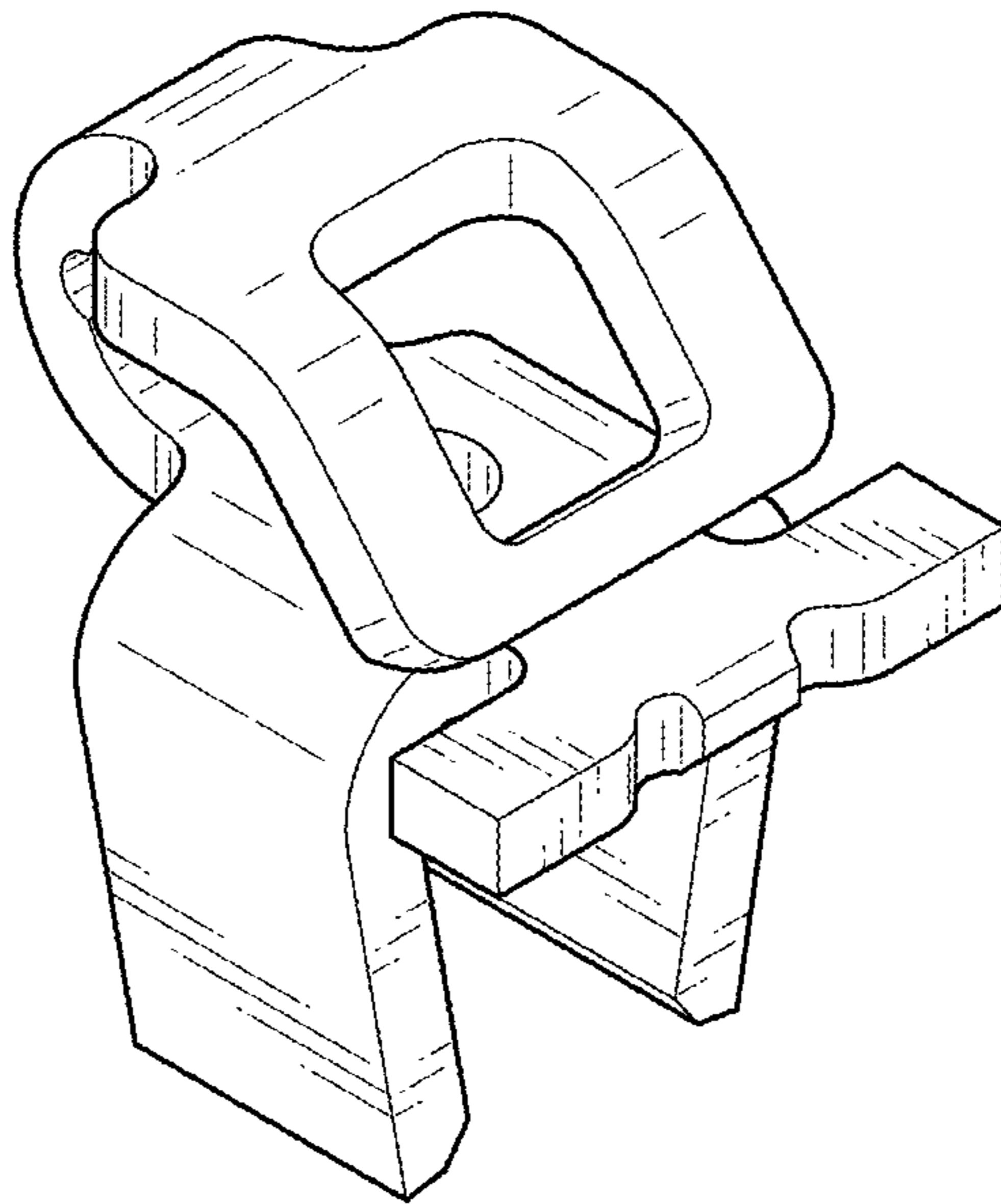


FIG. 1

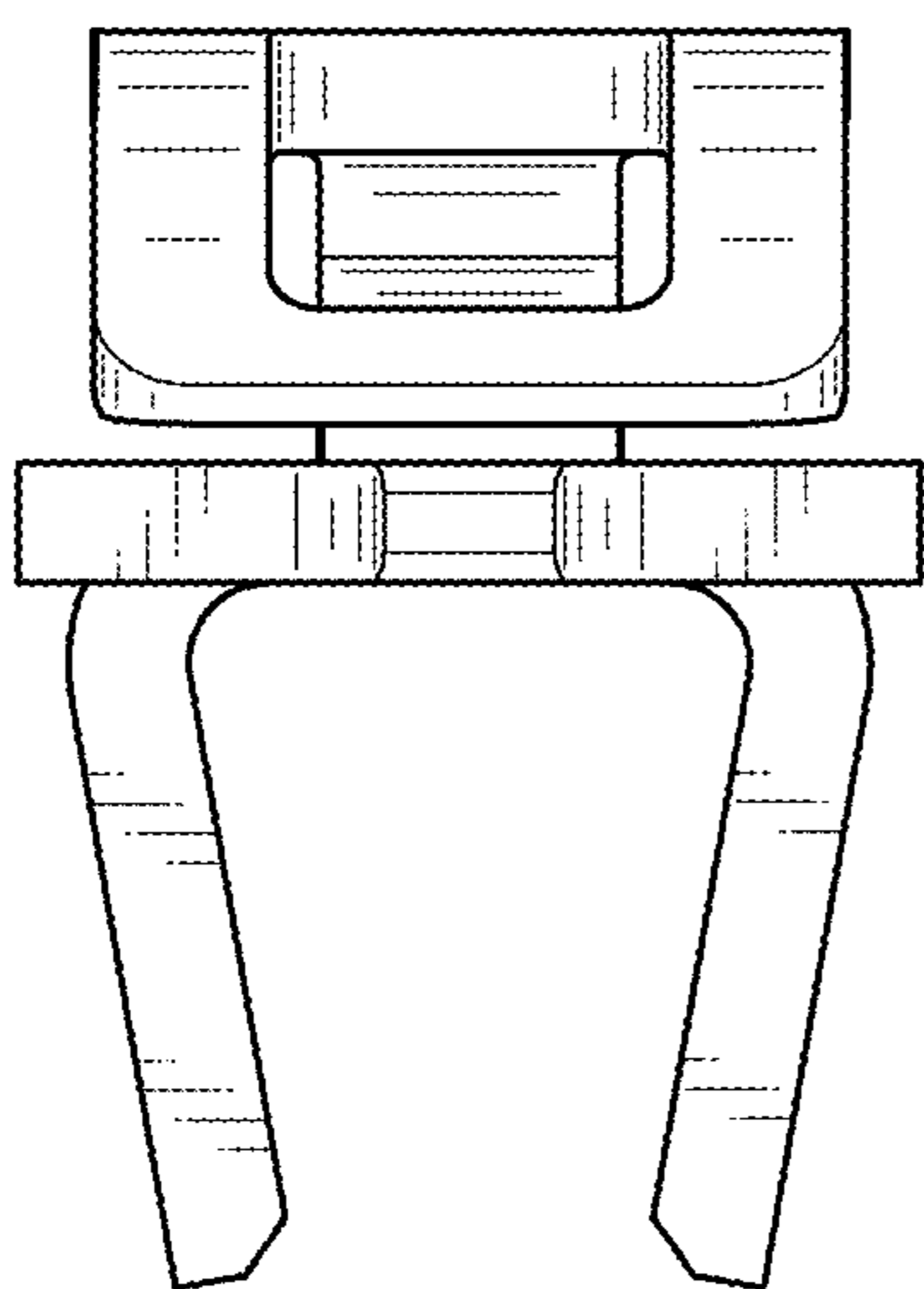


FIG. 2

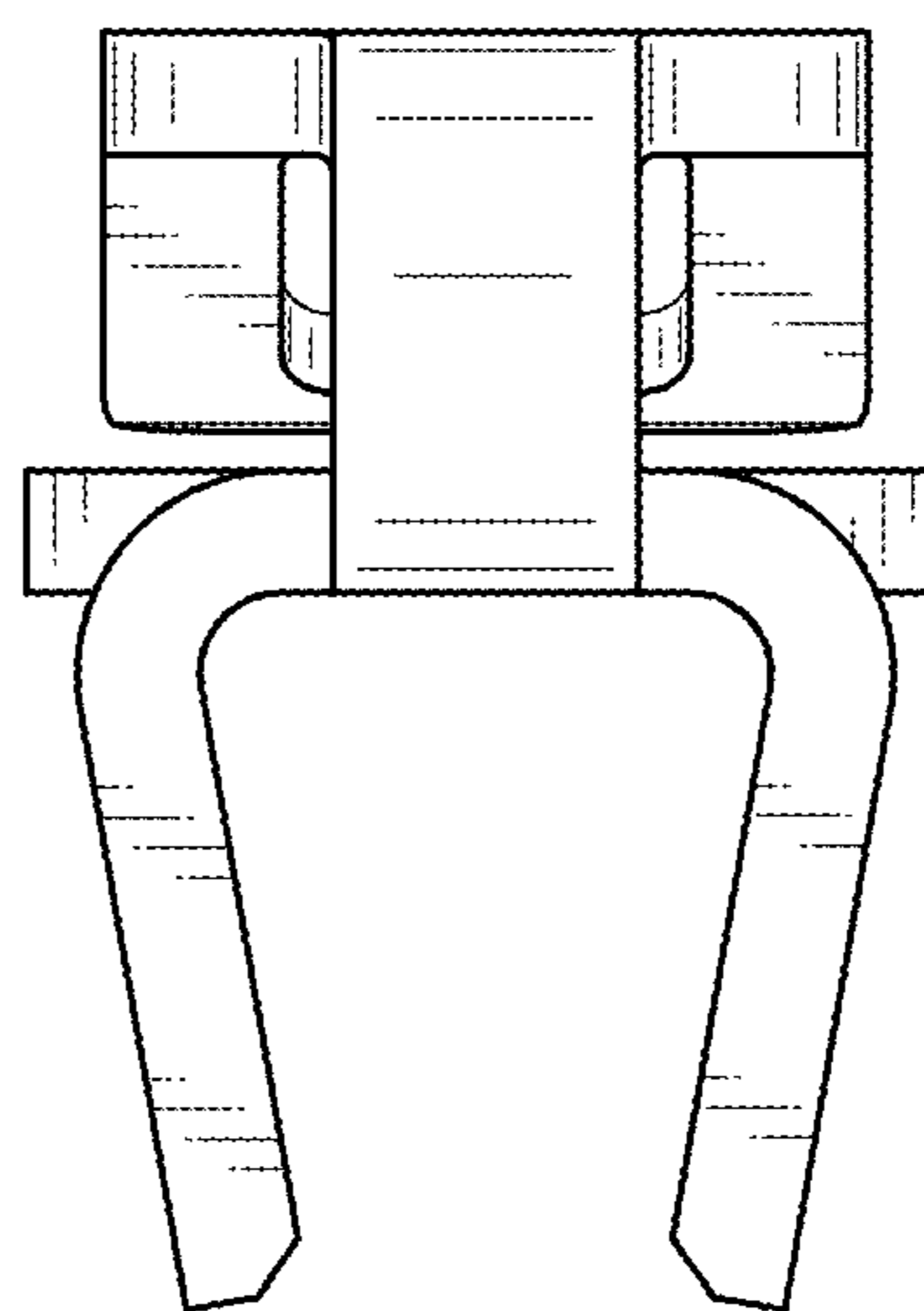


FIG. 3

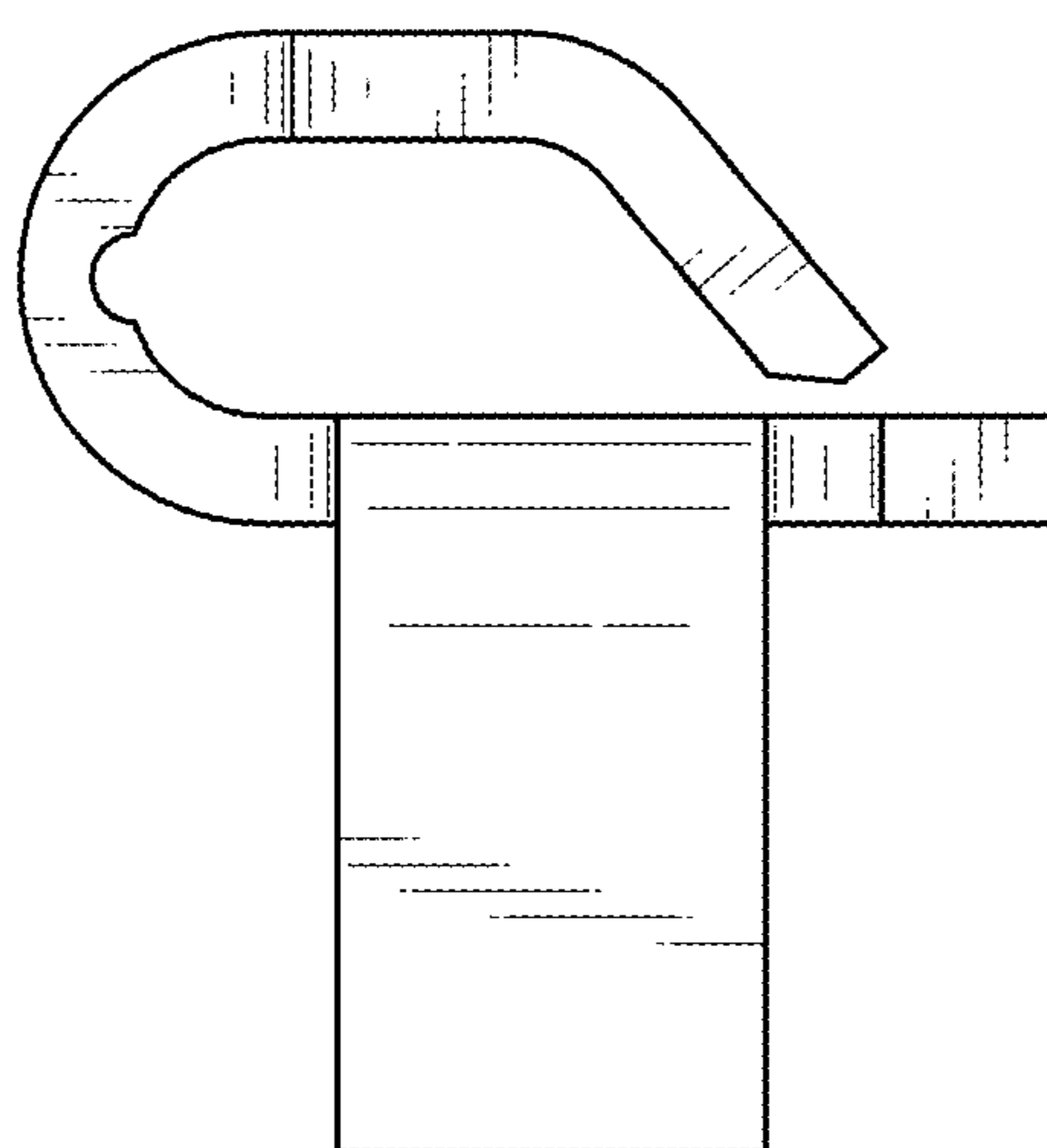


FIG. 4

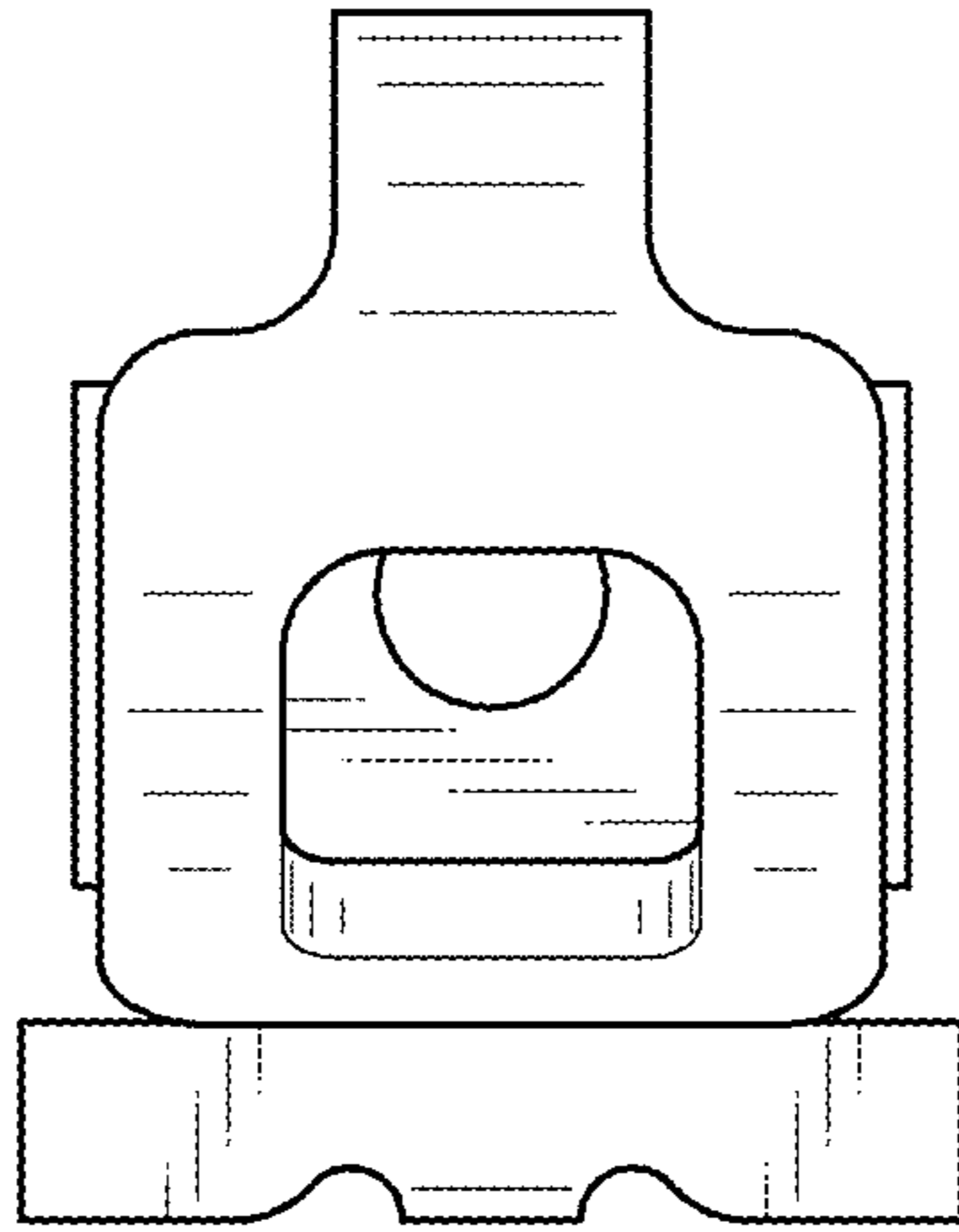


FIG. 5

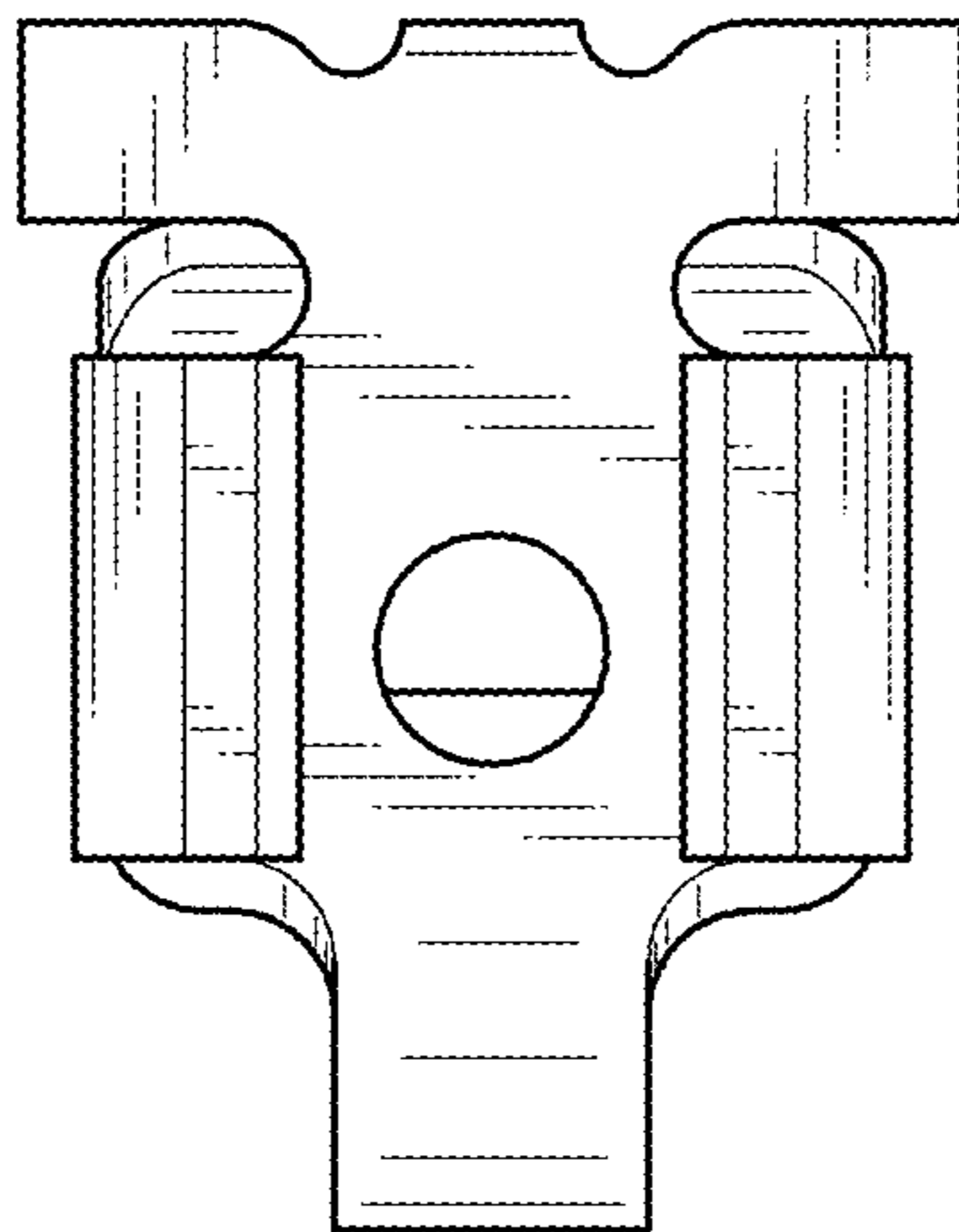


FIG. 6