



US00D679574S

(12) **United States Design Patent**
Dotsey

(10) **Patent No.:** **US D679,574 S**

(45) **Date of Patent:** **** Apr. 9, 2013**

(54) **ANGLE SHIM**

(75) Inventor: **Michael A. Dotsey**, Pottstown, PA (US)

(73) Assignee: **AZEK Building Products, Inc.**,
Scranton, PA (US)

(**) Term: **14 Years**

(21) Appl. No.: **29/386,039**

(22) Filed: **Feb. 24, 2011**

(51) **LOC (9) Cl.** **08-05**

(52) **U.S. Cl.** **D8/354**

(58) **Field of Classification Search** D8/39,
D8/354, 349, 367, 373, 71, 363, 380, 382,
D8/400, 499; D25/119, 138, 121, 124, 125,
D25/126; D34/38; 248/323, 126, 300, 121,
248/200, 217.3, 237, 309.1; 206/512, 504,
206/585, 821; 411/466, 920; 52/715, 122.1,
52/204.5, 238.1-243.1, 285.2, 394, 395,
52/578, 582.1, 584.1, 589.1, 188, 182, 191,
52/702, 712, 445.06, 189, 506.5, 586.1; 108/53.1,
108/53.3, 53.5, 55.3, 55.5, 55.1, 56.3; 29/428,
29/525.01, 464; 249/14, 208, 205; 403/169,
403/167

See application file for complete search history.

(56) **References Cited**

U.S. PATENT DOCUMENTS

4,135,335	A *	1/1979	Jensen	52/126.1
4,625,489	A *	12/1986	Bogle	52/712
4,776,548	A *	10/1988	Bezenek	248/188.2
4,858,865	A *	8/1989	Schrepfer	248/188.2
5,815,992	A *	10/1998	Wells et al.	52/126.1
5,878,985	A *	3/1999	Iannone	248/205.1
D408,369	S *	4/1999	Belinky et al.	D13/184
D420,892	S *	2/2000	Chalich	D8/354
D421,374	S *	3/2000	Montgomery	D8/47
7,128,303	B2 *	10/2006	Penlesky et al.	248/674
D663,190	S *	7/2012	Mota et al.	D8/349
2009/0173036	A1 *	7/2009	Hand	52/715

* cited by examiner

Primary Examiner — Mark Goodwin

(74) *Attorney, Agent, or Firm* — Buchanan Ingersoll & Rooney PC

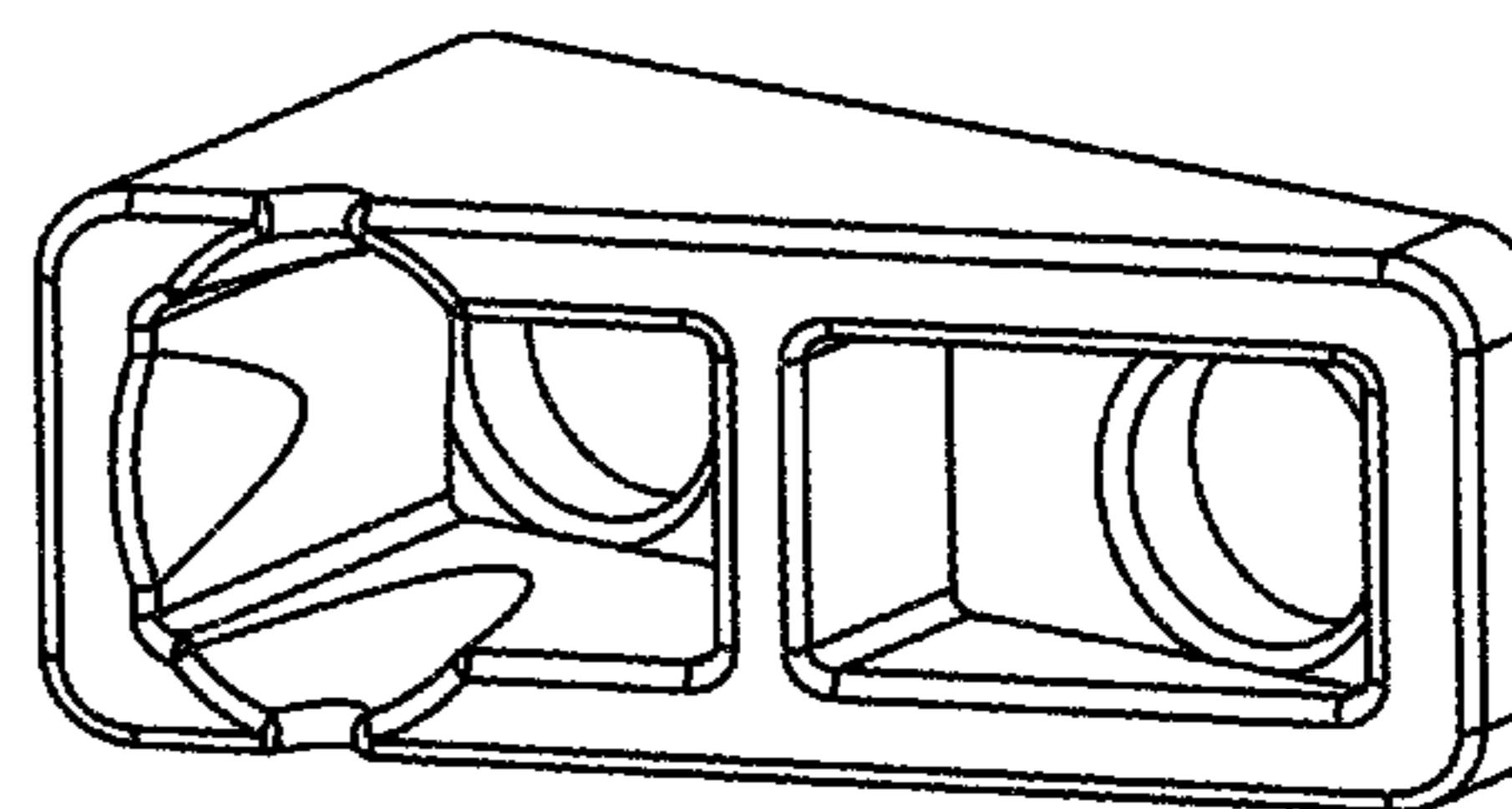
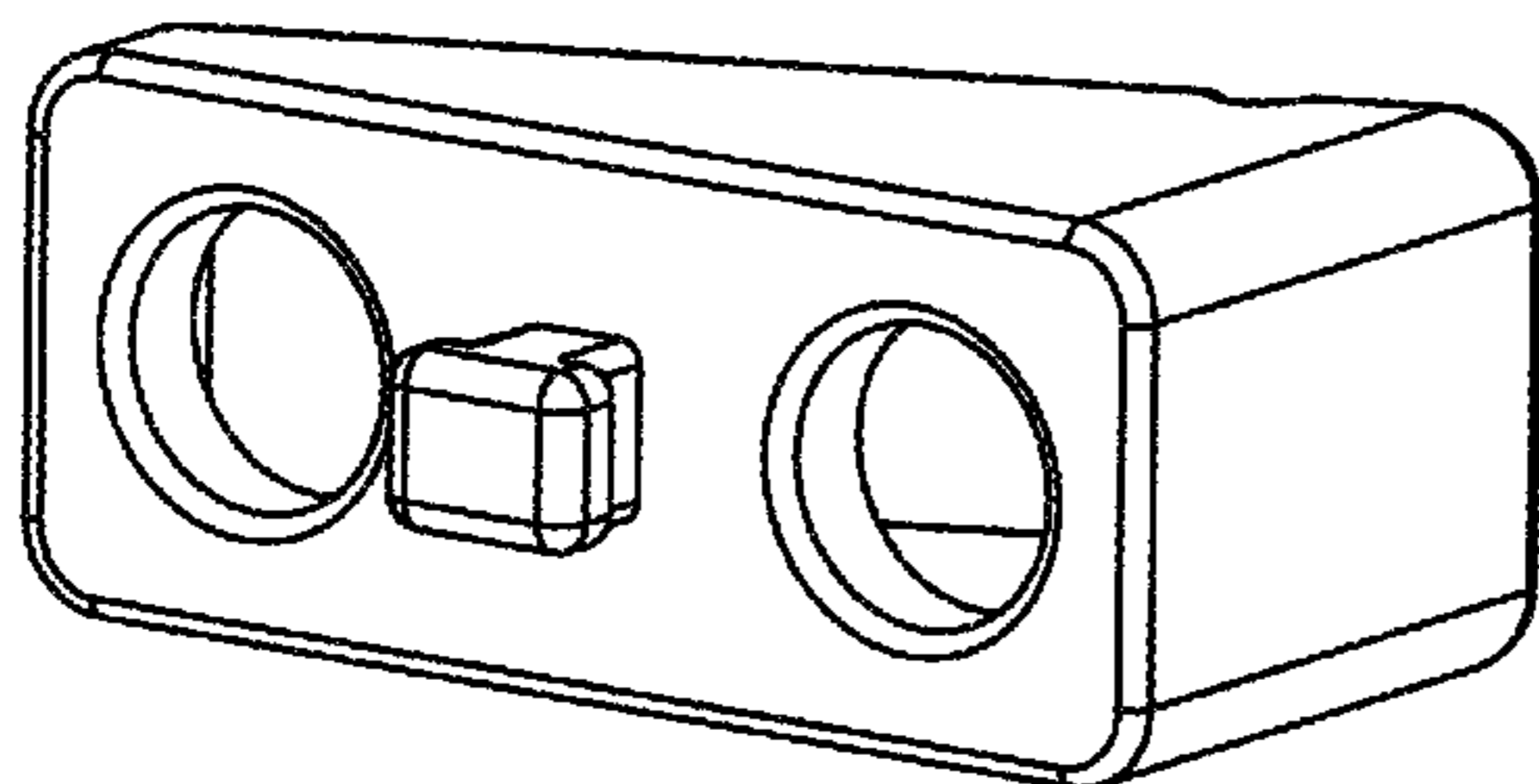
(57) **CLAIM**

The ornamental design for an angle shim, as shown and described.

DESCRIPTION

FIG. 1 is a bottom perspective view;
FIG. 2 is a top perspective view;
FIG. 3 is a rear view thereof;
FIG. 4 is a bottom view thereof;
FIG. 5 is a right side view thereof, the left side view being a mirror image of this view;
FIG. 6 is a top view thereof; and,
FIG. 7 is a front view thereof.

1 Claim, 3 Drawing Sheets



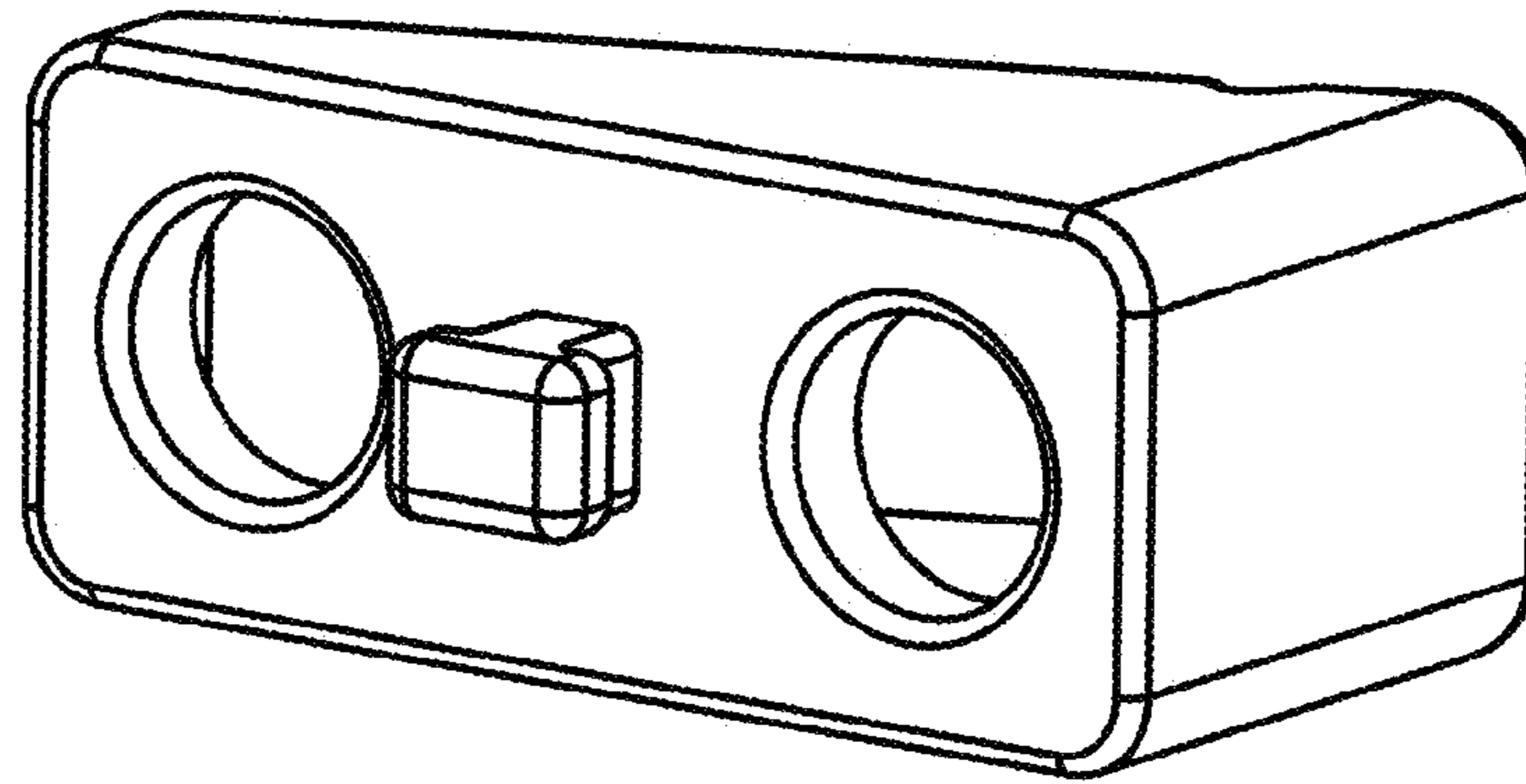


FIG. 1

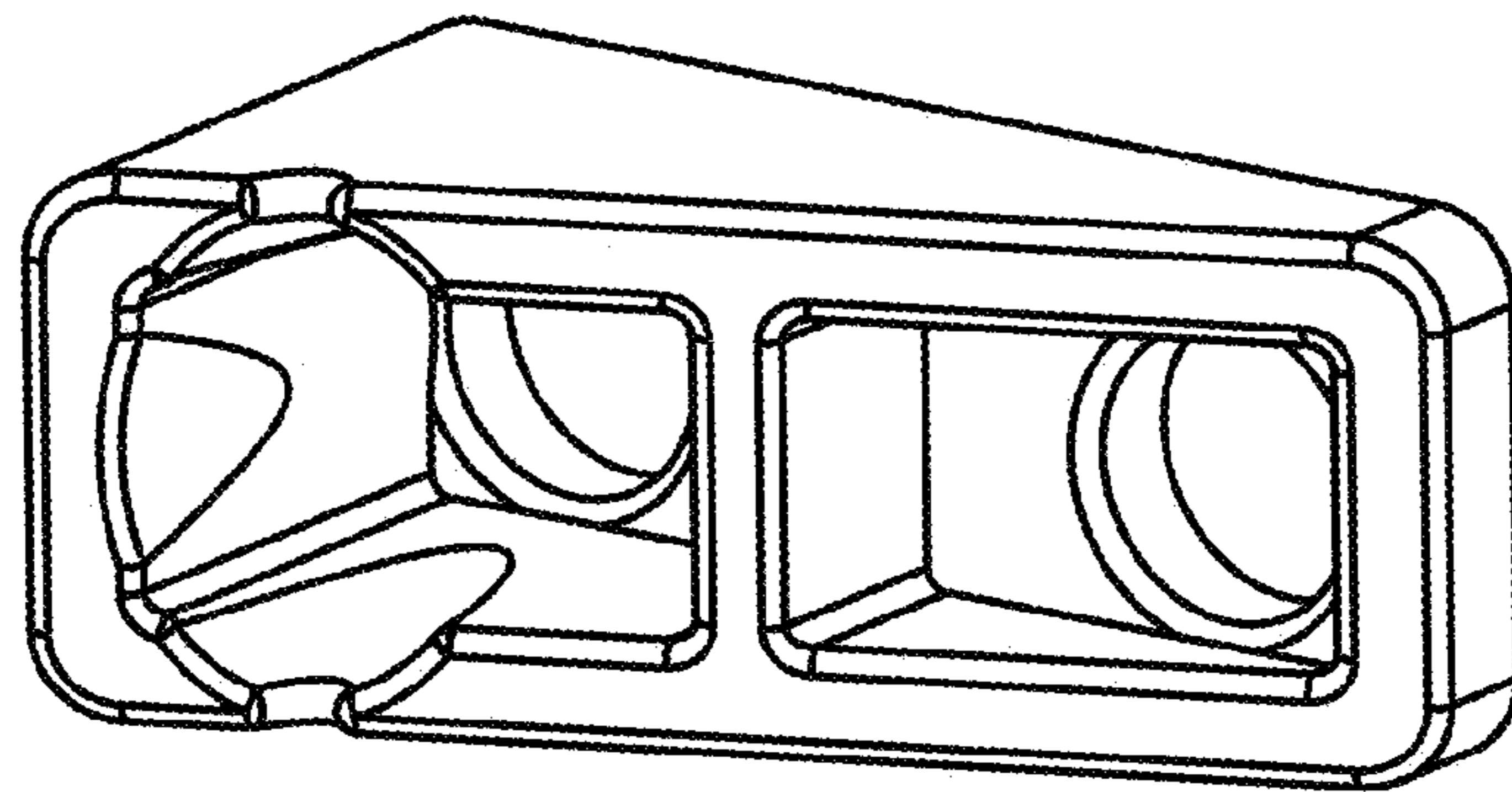


FIG. 2

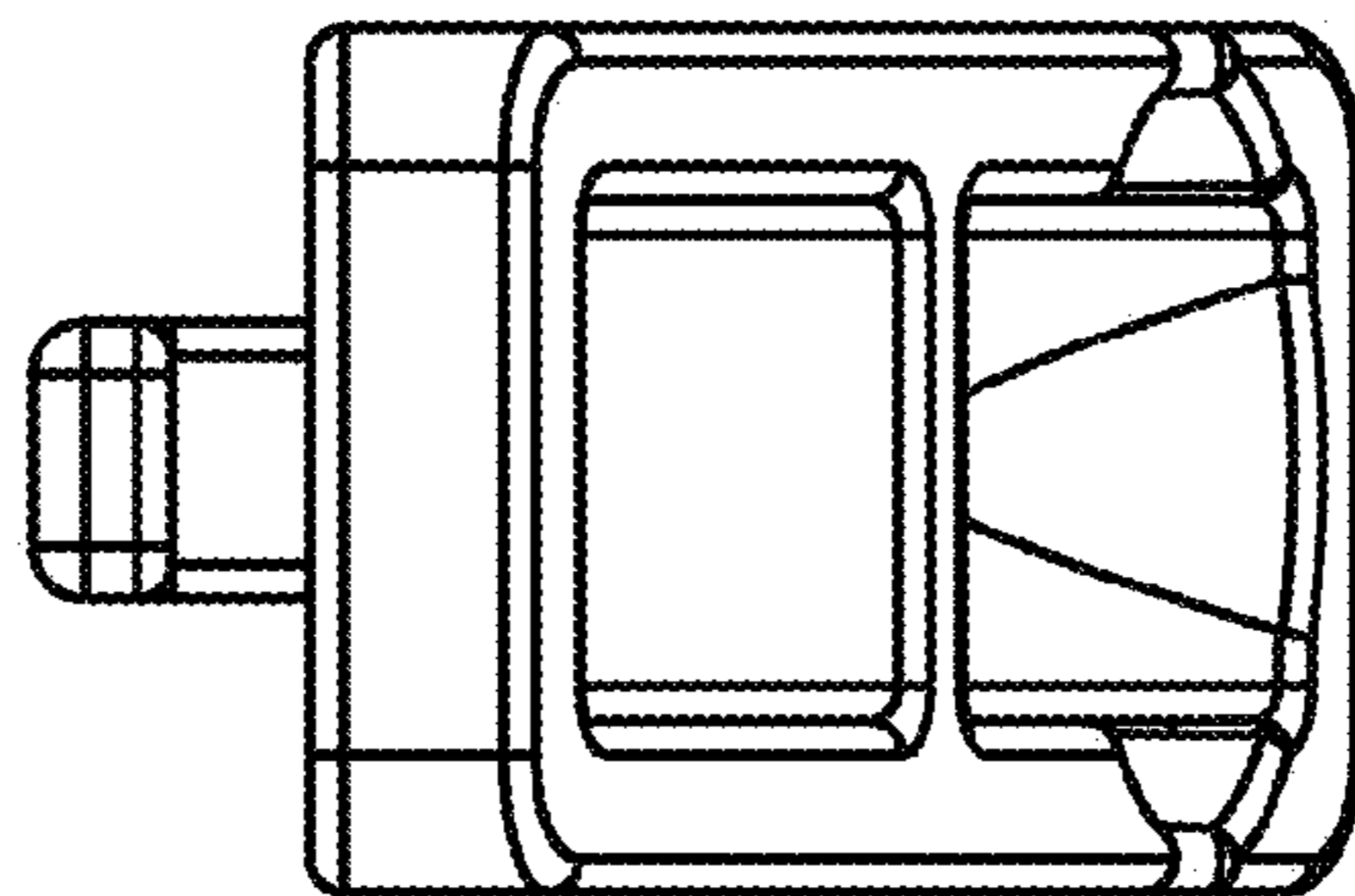


FIG. 3

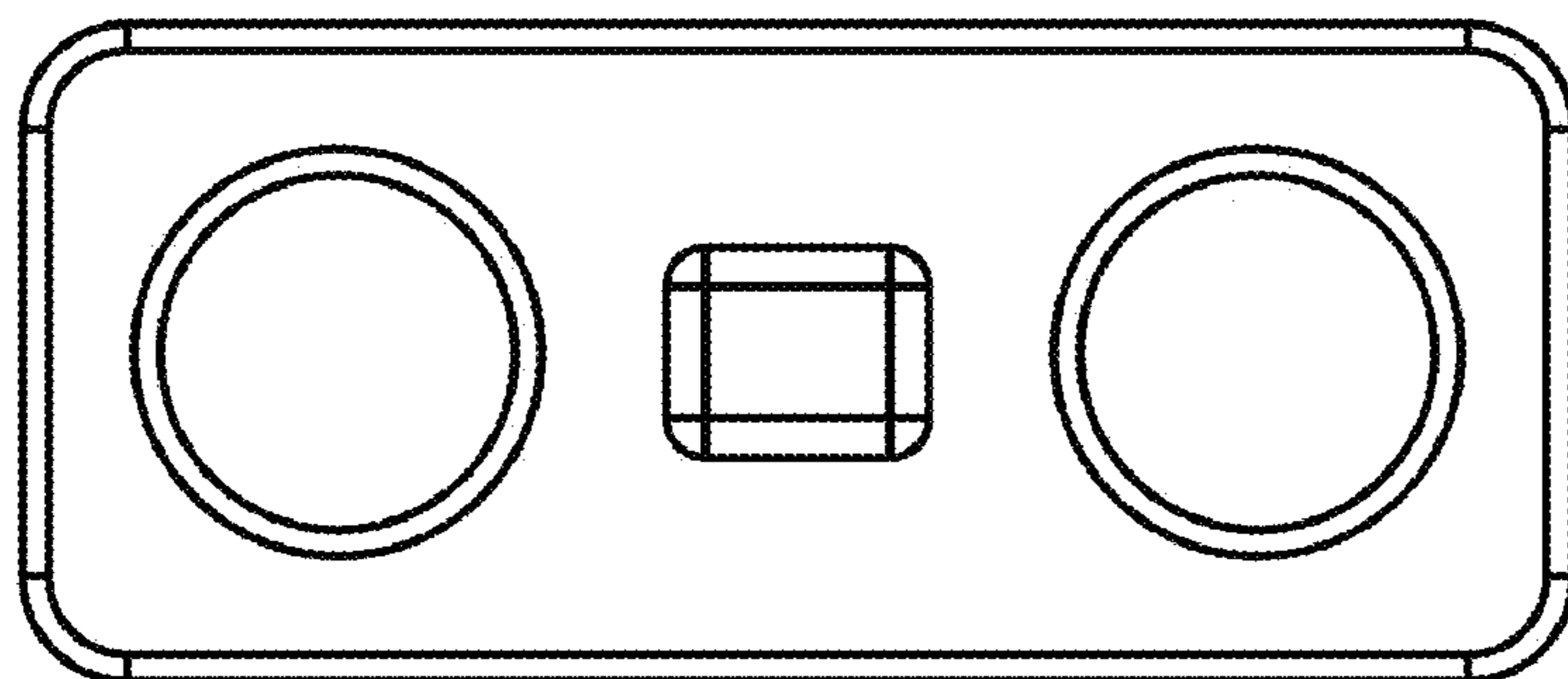


FIG. 4

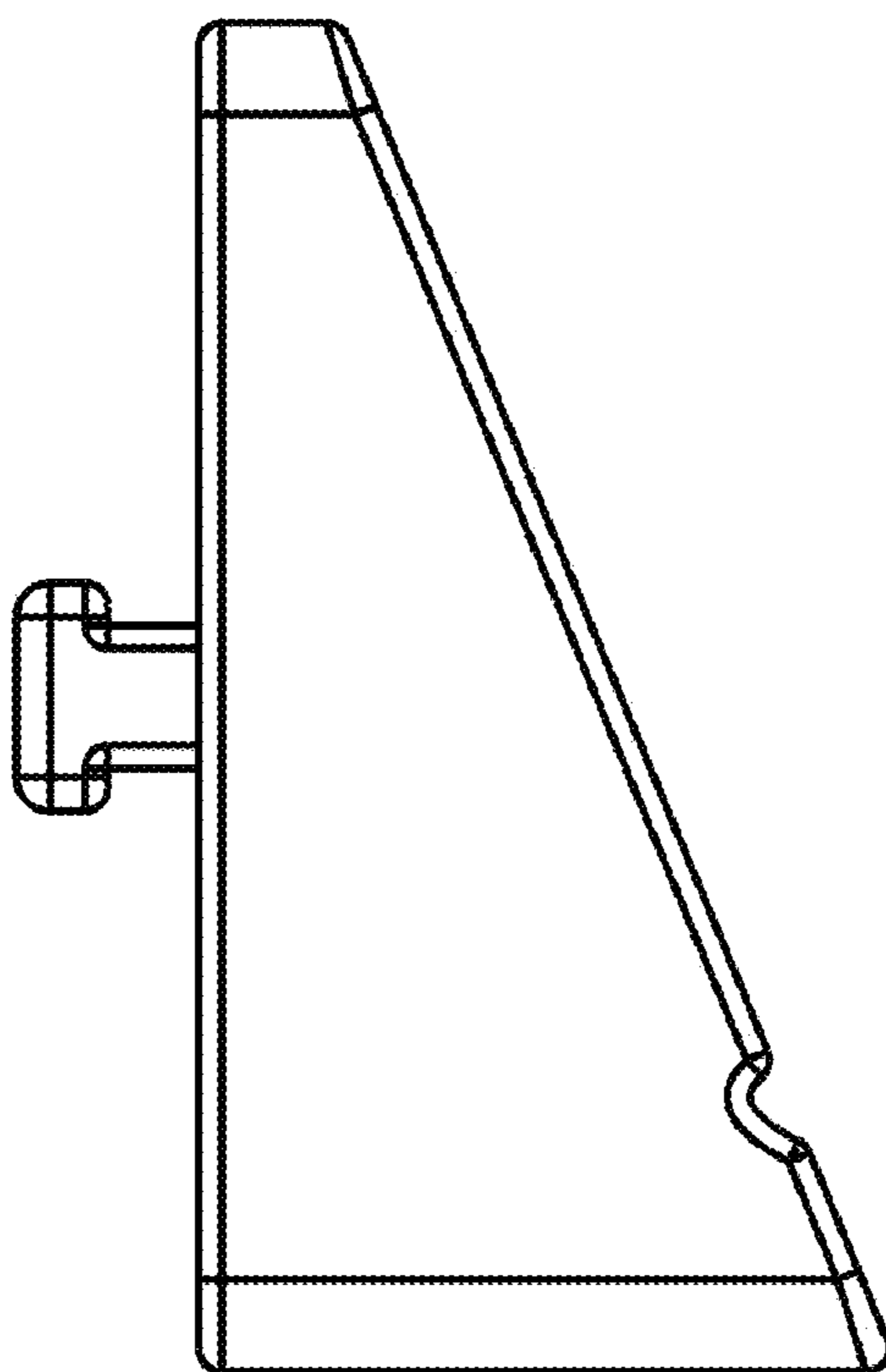


FIG. 5

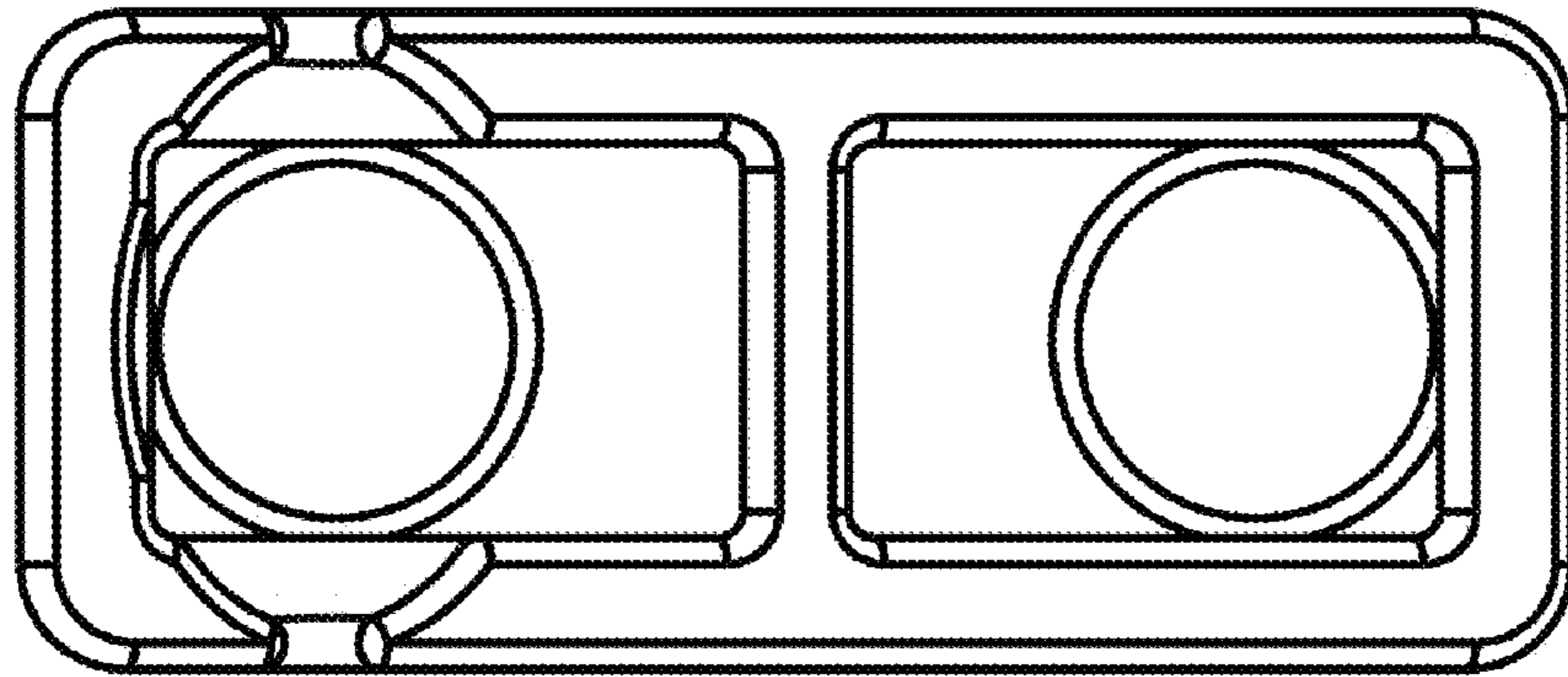


FIG. 6

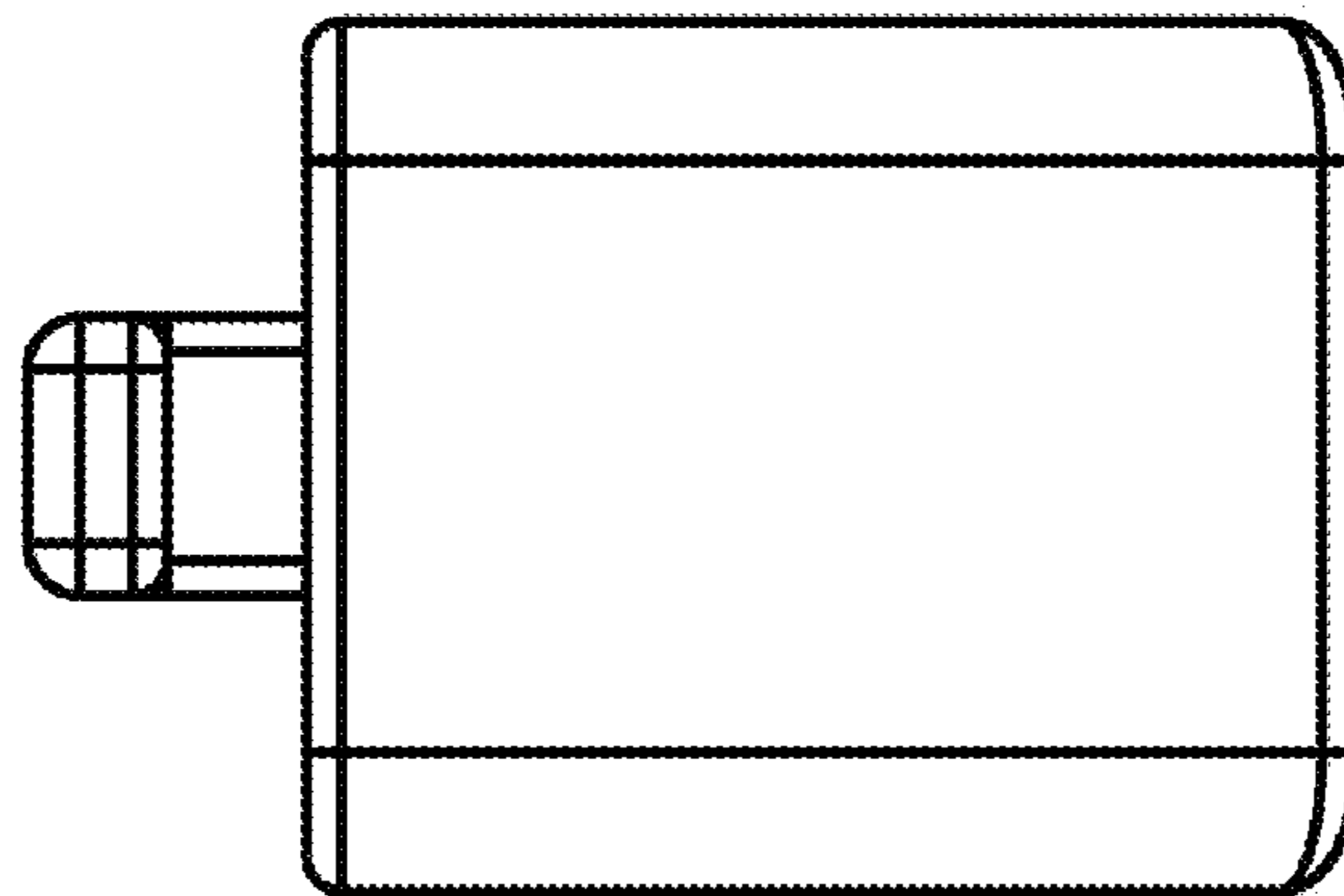


FIG. 7