



US00D679573S

(12) **United States Design Patent**  
**Lee**

(10) **Patent No.:** **US D679,573 S**

(45) **Date of Patent:** **\*\* Apr. 9, 2013**

(54) **CLAMP**

(75) Inventor: **James Lee**, Singapore (SG)

(73) Assignee: **Opium Co Pte Ltd**, Singapore (SG)

(\*\*) Term: **14 Years**

(21) Appl. No.: **29/383,233**

(22) Filed: **Jan. 14, 2011**

(30) **Foreign Application Priority Data**

Jul. 15, 2010 (SG) ..... D2010589D

(51) **LOC (9) Cl.** ..... **08-05**

(52) **U.S. Cl.** ..... **D8/354; D8/72**

(58) **Field of Classification Search** ..... D8/354,  
D8/72, 356, 371, 394, 396; D19/65, 86;  
D24/128; D32/61; 248/74.2, 215, 227.1,  
248/49, 300, 301, 316.7, 51, 489

See application file for complete search history.

(56) **References Cited**

**U.S. PATENT DOCUMENTS**

D361,033 S \* 8/1995 Van Beveren et al. .... D8/396  
D364,792 S \* 12/1995 Yoder et al. .... D8/72  
D365,263 S \* 12/1995 Sorensen et al. .... D8/72  
D389,442 S \* 1/1998 Kantor ..... D12/162  
D562,677 S \* 2/2008 Farber et al. .... D8/396

D576,870 S \* 9/2008 Eason et al. .... D8/396  
D599,184 S \* 9/2009 Johnson et al. .... D8/72  
D614,944 S \* 5/2010 Maro et al. .... D8/394  
D640,536 S \* 6/2011 Larsen et al. .... D8/394  
D640,537 S \* 6/2011 Parks et al. .... D8/396  
D644,095 S \* 8/2011 Underwood et al. .... D8/396  
D657,840 S \* 4/2012 Prieto ..... D22/108

\* cited by examiner

*Primary Examiner* — Mark Goodwin

(74) *Attorney, Agent, or Firm* — Faegre Baker Daniels LLP

(57) **CLAIM**

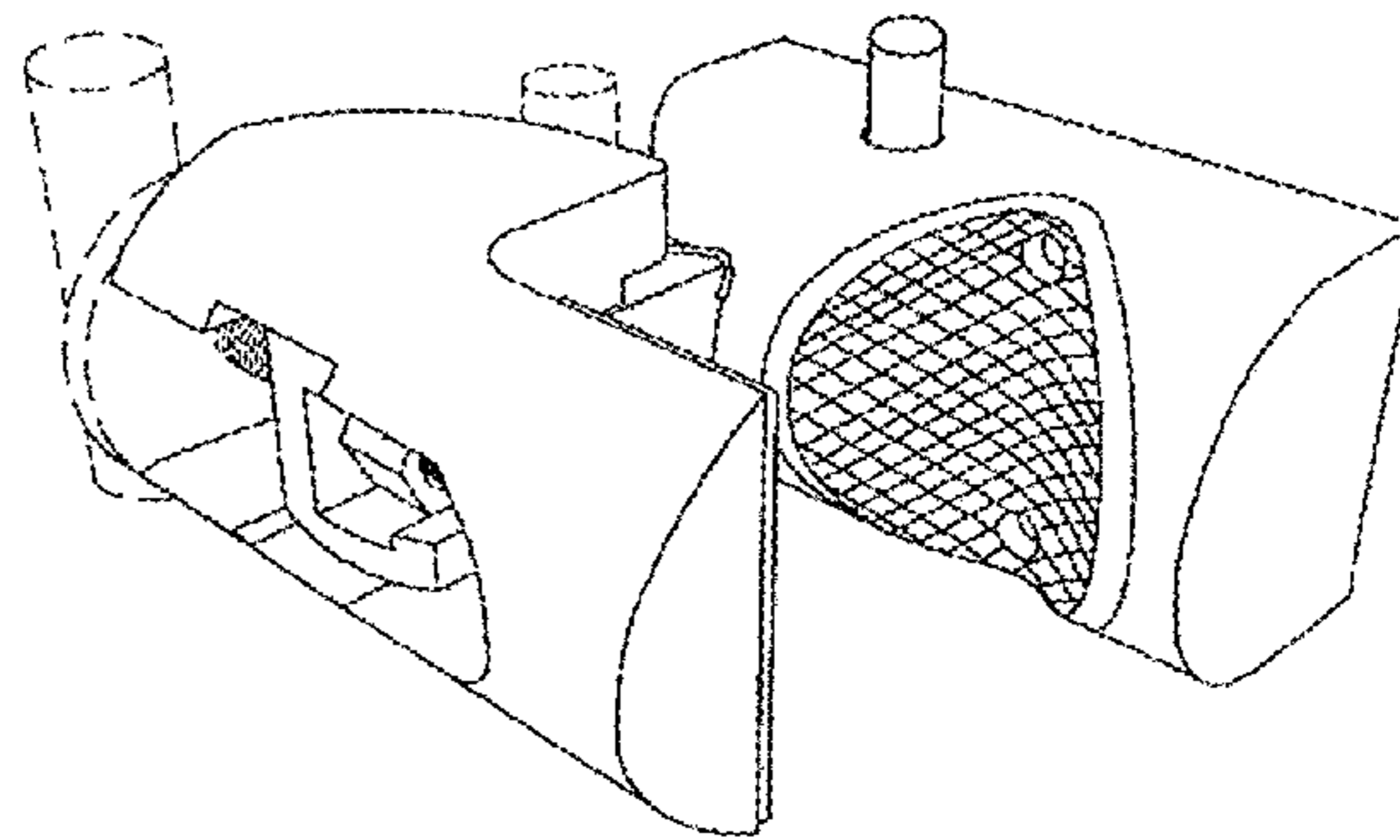
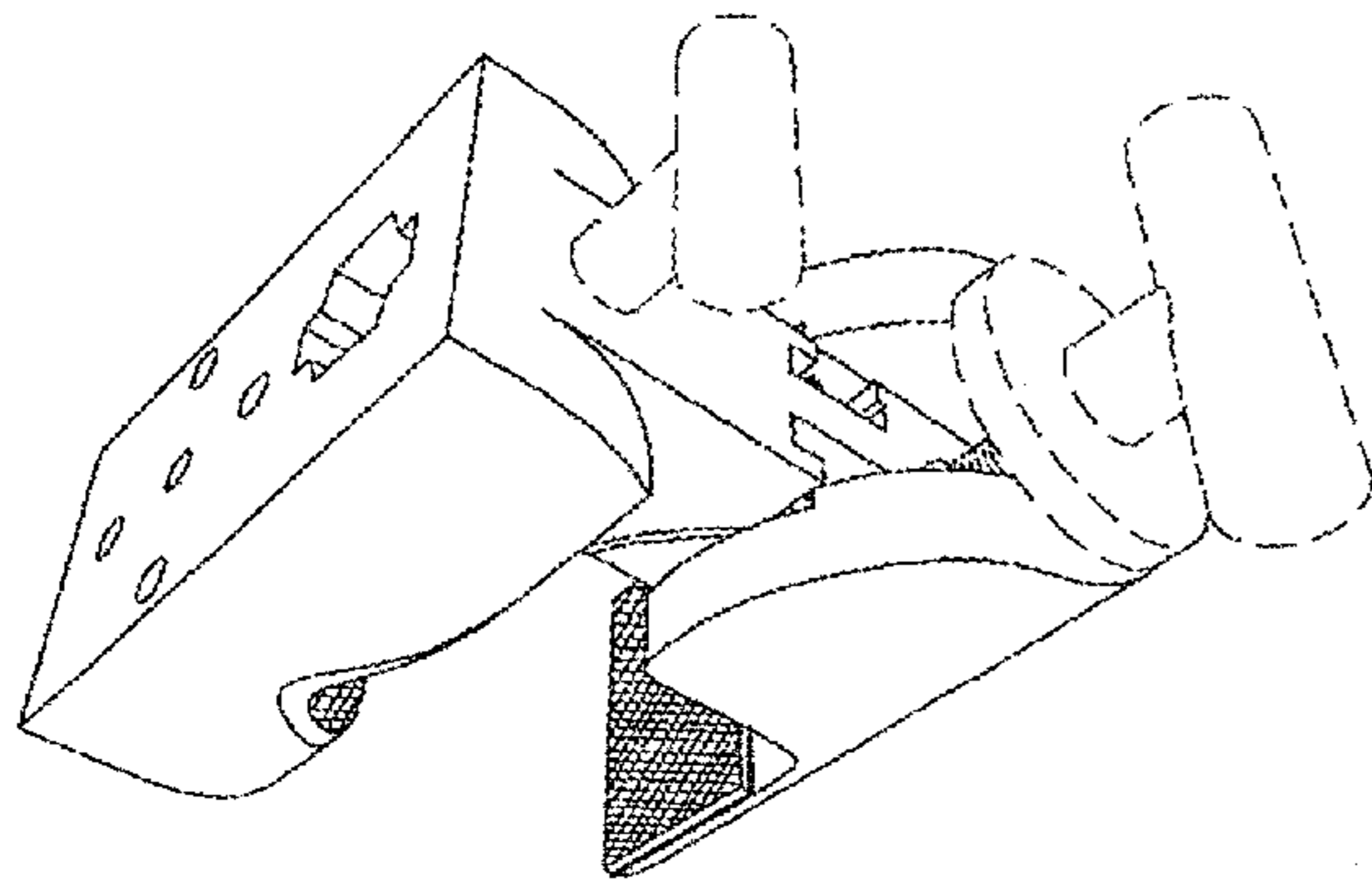
I claim the ornamental design for the clamp, as shown and described.

**DESCRIPTION**

FIG. 1 is a bottom perspective view of a clamp of the present invention taken from the rear left side of the clamp;  
FIG. 2 is a top perspective view of the clamp of FIG. 1, taken from the front right side of the clamp;  
FIG. 3 shows a top view of the clamp of FIGS. 1 and 2;  
FIG. 4 shows a bottom view of the clamp of FIGS. 1 and 2;  
FIG. 5 shows a right side view of the clamp of FIGS. 1 and 2;  
FIG. 6 shows a left side view of the clamp of FIGS. 1 and 2;  
FIG. 7 shows a rear view of the clamp of FIGS. 1 and 2; and,  
FIG. 8 shows a front view of the clamp of FIGS. 1 and 2.

The broken lines in FIGS. 1-8 are for illustrative purposes only and form no part of the claimed design.

**1 Claim, 4 Drawing Sheets**



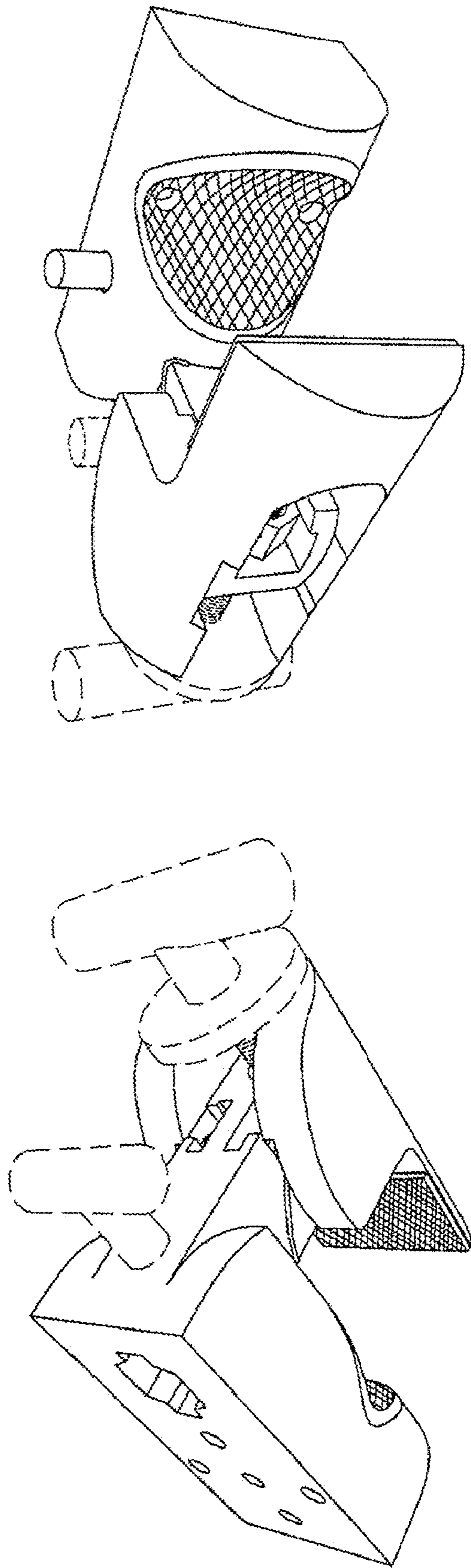


FIG. 2

FIG. 1

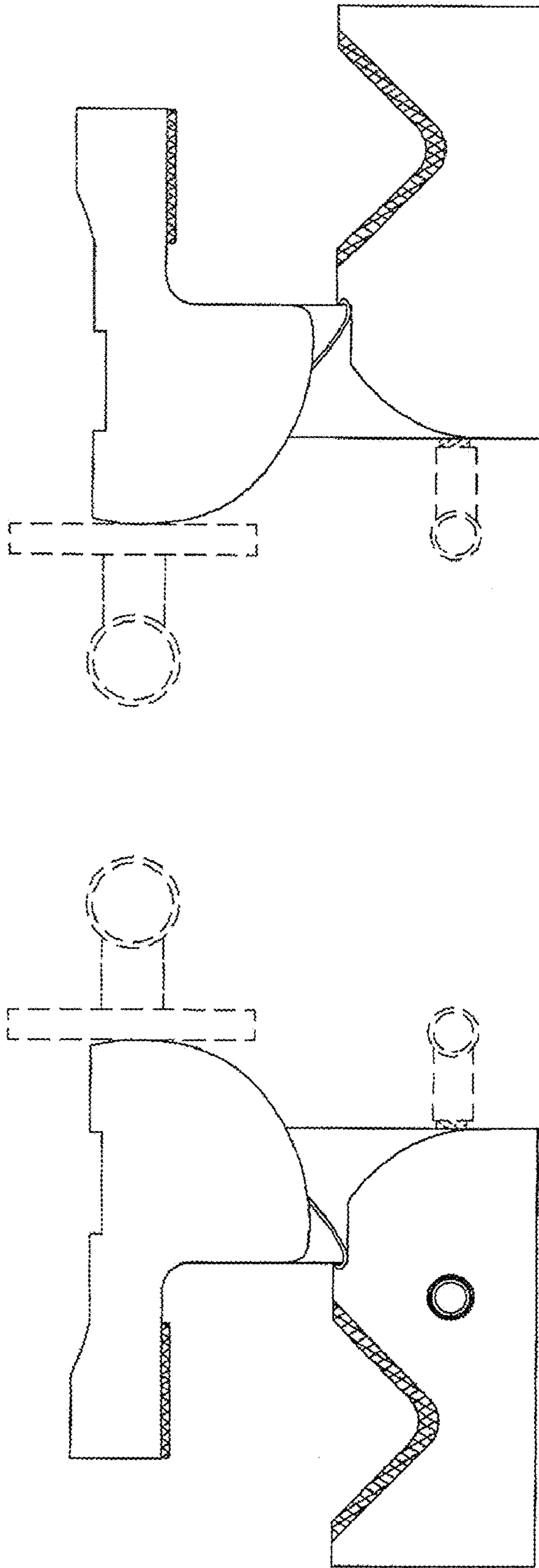


FIG. 4

FIG. 3

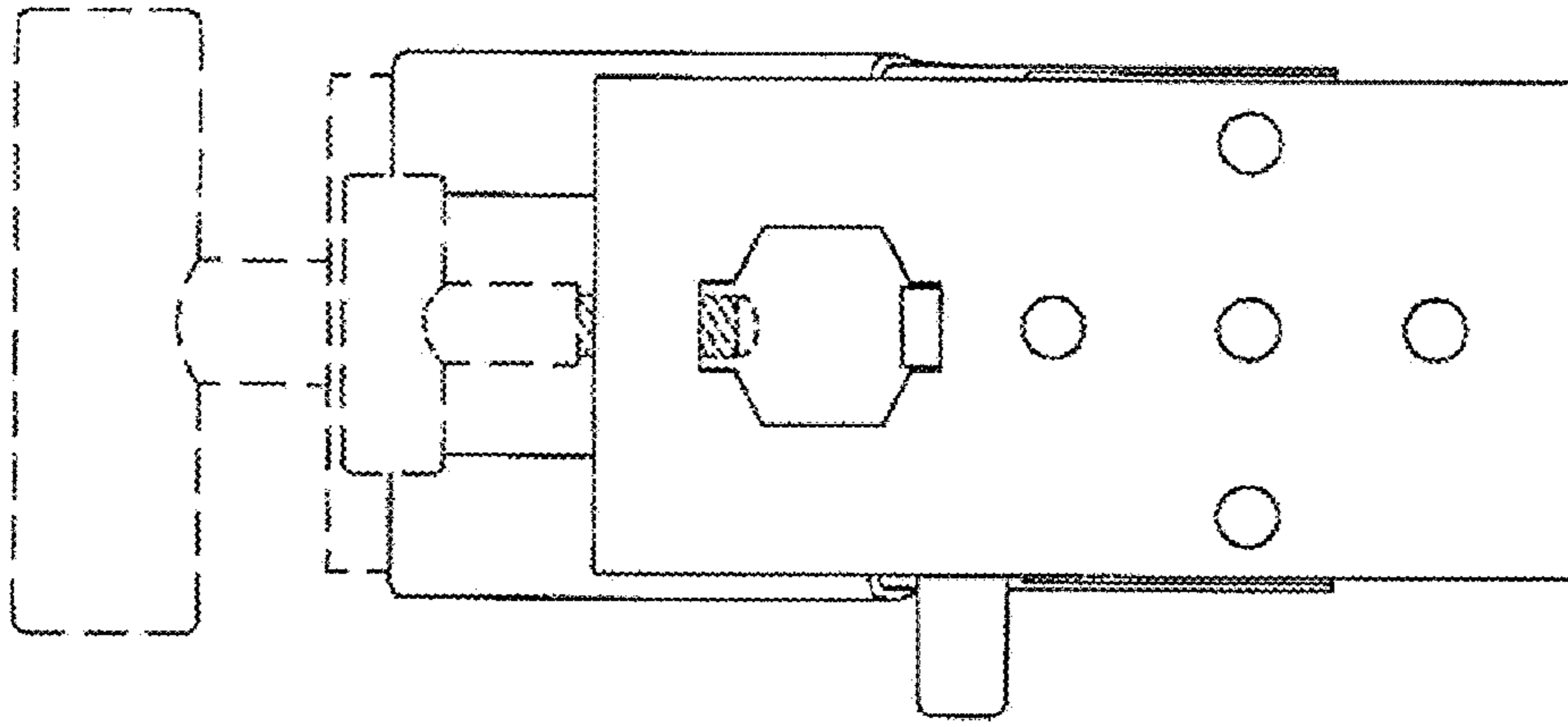


FIG. 6

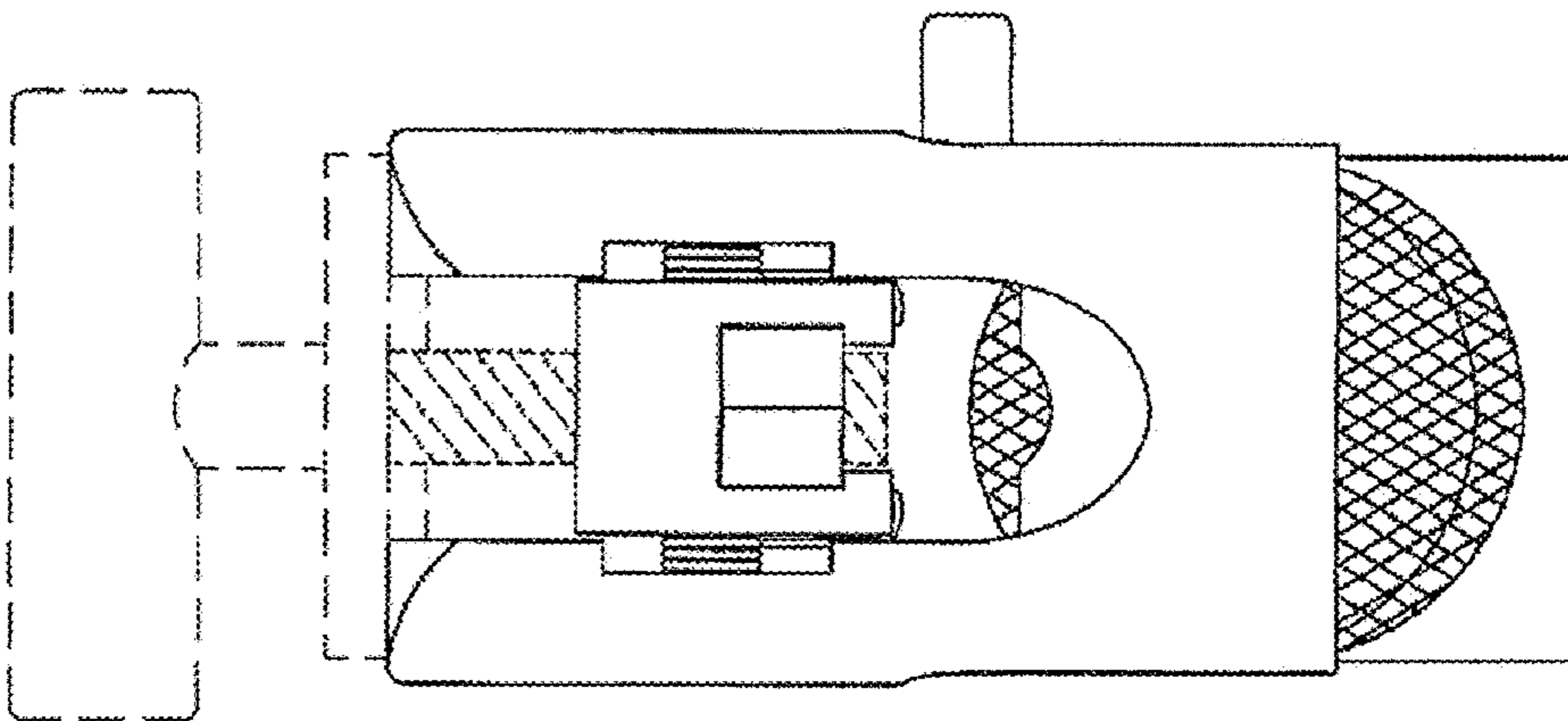


FIG. 5

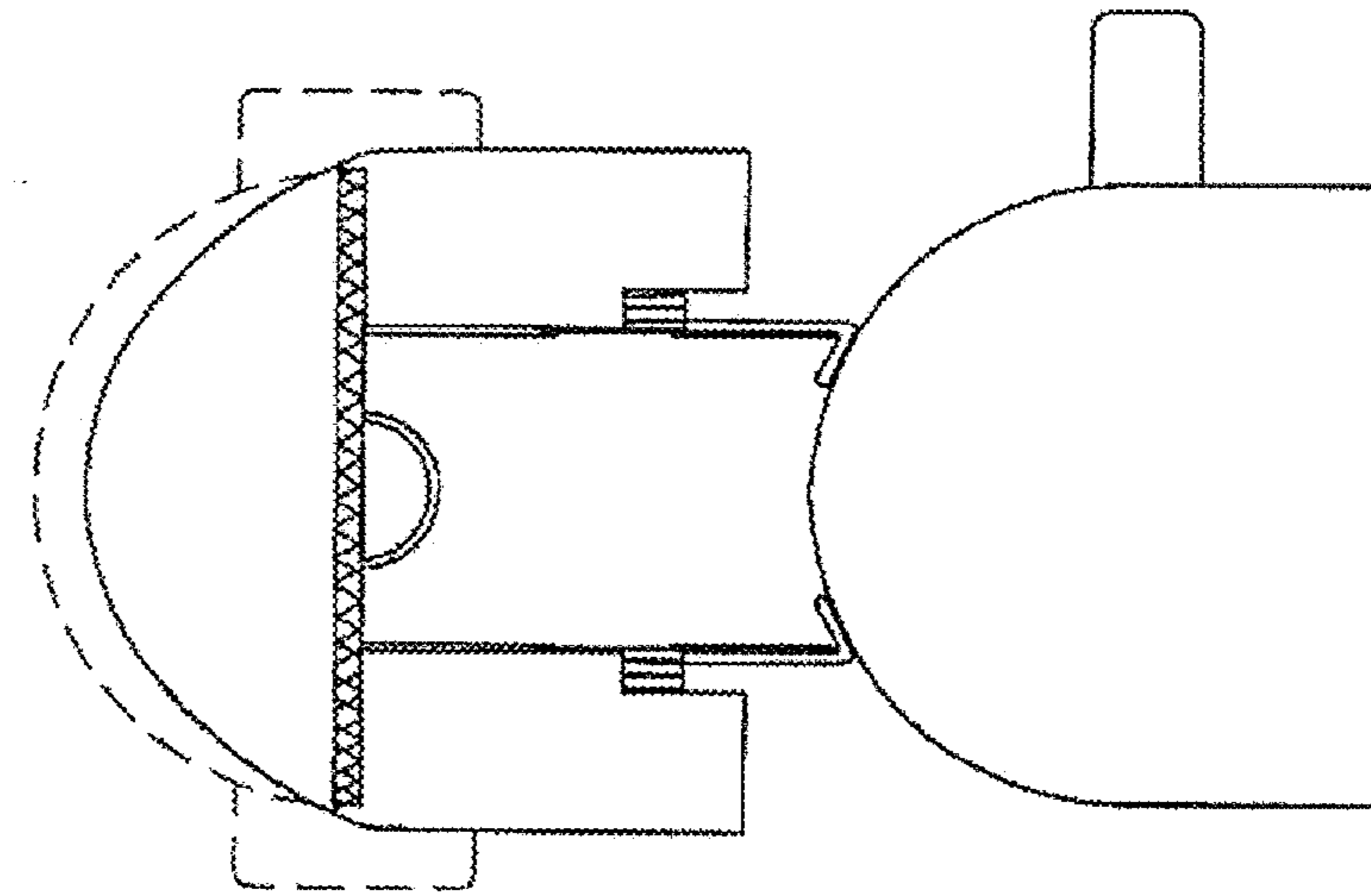


FIG. 7

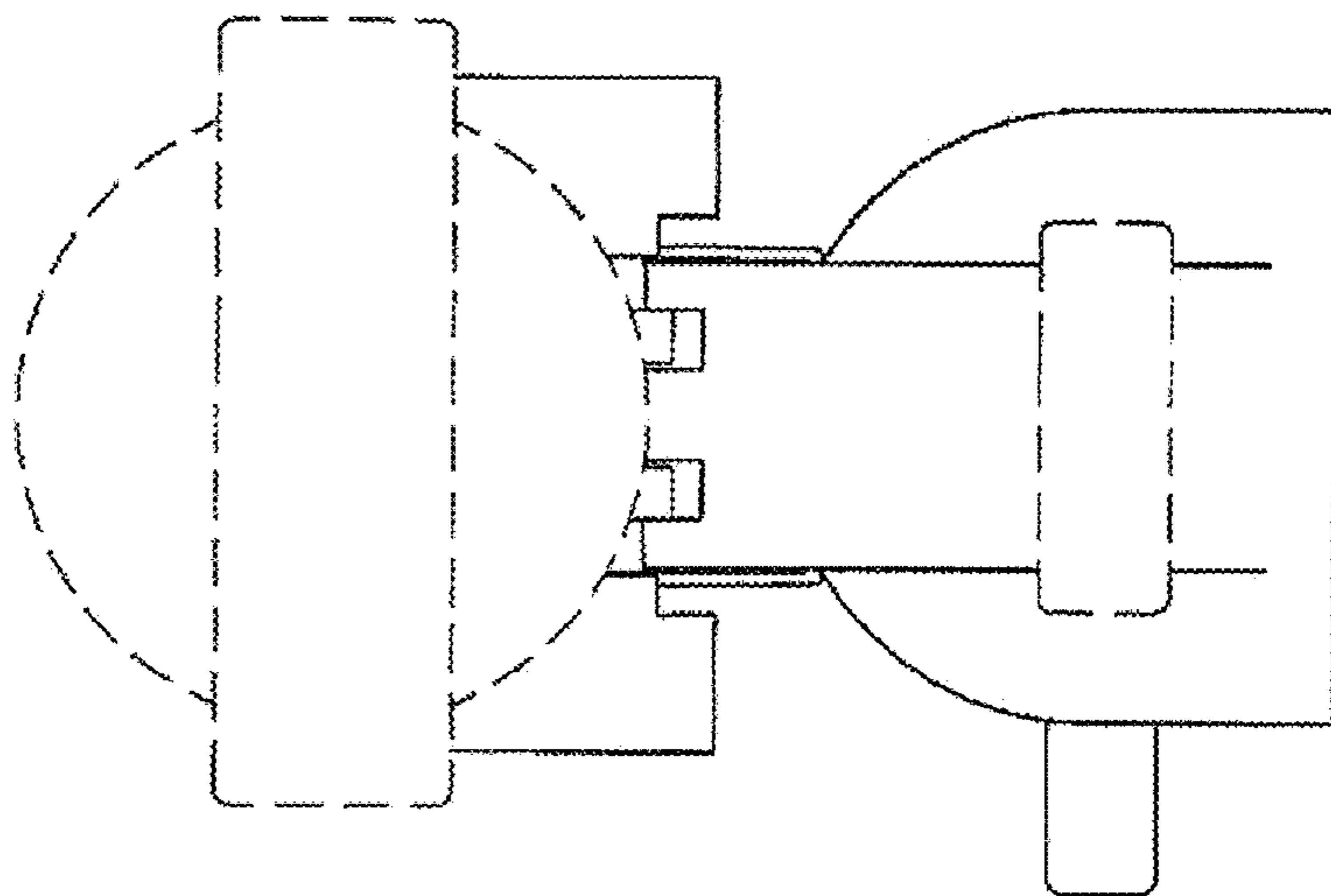


FIG. 8