



US00D679571S

(12) **United States Design Patent**
Molter

(10) **Patent No.:** **US D679,571 S**

(45) **Date of Patent:** **** Apr. 9, 2013**

(54) **SECURITY BRACKET FOR USE IN
SECURING AUDIO/VISUAL DEVICES OR
THE LIKE**

(75) Inventor: **Daniel E. Molter**, Elmhurst, IL (US)

(73) Assignee: **Peerless Industries, Inc.**, Aurora, IL
(US)

(**) Term: **14 Years**

(21) Appl. No.: **29/393,262**

(22) Filed: **Jun. 1, 2011**

(51) **LOC (9) Cl.** **08-07**

(52) **U.S. Cl.**
USPC **D8/330**

(58) **Field of Classification Search** D8/39,
D8/354, 349, 367, 373, 71, 363, 380, 382,
D8/330-346; D25/119, 138, 121, 124, 125,
D25/126; D34/38; 248/323, 126, 300, 121,
248/200, 217.3, 551, 553; 206/512, 504,
206/585, 821; 411/466, 920; 52/715, 122.1,
52/204.5, 238.1-243.1, 285.2, 394, 395,
52/578, 582.1, 584.1, 589.1; 108/53.1, 53.3,
108/53.5, 55.3, 55.5, 55.1, 56.3; 439/304;
70/14, 20-22, 57, 57.1, 58, 163, 174, 179,
70/180, 266, 431, 447, 448, 449

See application file for complete search history.

(56) **References Cited**

U.S. PATENT DOCUMENTS

4,300,371	A *	11/1981	Herwick et al.	70/58
4,964,285	A *	10/1990	Lakoski et al.	70/14
4,979,382	A *	12/1990	Perry	70/58
5,076,079	A *	12/1991	Monoson et al.	70/58
5,082,233	A *	1/1992	Ayers et al.	248/553
5,119,649	A *	6/1992	Spence	70/14
D435,432	S *	12/2000	Themistos	D8/354
6,401,504	B1 *	6/2002	Derman et al.	70/230

6,418,759	B1 *	7/2002	Zeren et al.	70/58
7,100,403	B2 *	9/2006	Murray et al.	70/58
7,191,623	B2 *	3/2007	Francke	70/18
7,204,106	B2 *	4/2007	Merrem et al.	70/14
7,614,264	B2 *	11/2009	McGettrick	70/14
8,001,812	B2 *	8/2011	Mahaffey et al.	70/58
8,042,366	B2 *	10/2011	Mahaffey et al.	70/58
D651,889	S *	1/2012	Mahaffey et al.	D8/330
D660,682	S *	5/2012	Mahaffey et al.	D8/339
D661,975	S *	6/2012	Mahaffey et al.	D8/343
D670,553	S *	11/2012	Mahaffey et al.	D8/343
2003/0224637	A1 *	12/2003	Ling	439/133
2005/0204786	A1 *	9/2005	Meyer et al.	70/58
2012/0037783	A1 *	2/2012	Alexander et al.	248/551
2012/0042485	A1 *	2/2012	Evans et al.	24/457
2012/0043451	A1 *	2/2012	Alexander et al.	248/551

* cited by examiner

Primary Examiner — Mark Goodwin

(74) *Attorney, Agent, or Firm* — Foley & Lardner LLP

(57) **CLAIM**

I claim the ornamental design for an security bracket for use in securing audio/visual devices or the like, as shown and described.

DESCRIPTION

FIG. 1 is a top perspective view of a security bracket for use in securing audio/visual devices or the like showing my new design;

FIG. 2 is a front elevational view thereof;

FIG. 3 is a rear elevational view thereof;

FIG. 4 is a right side elevational view thereof;

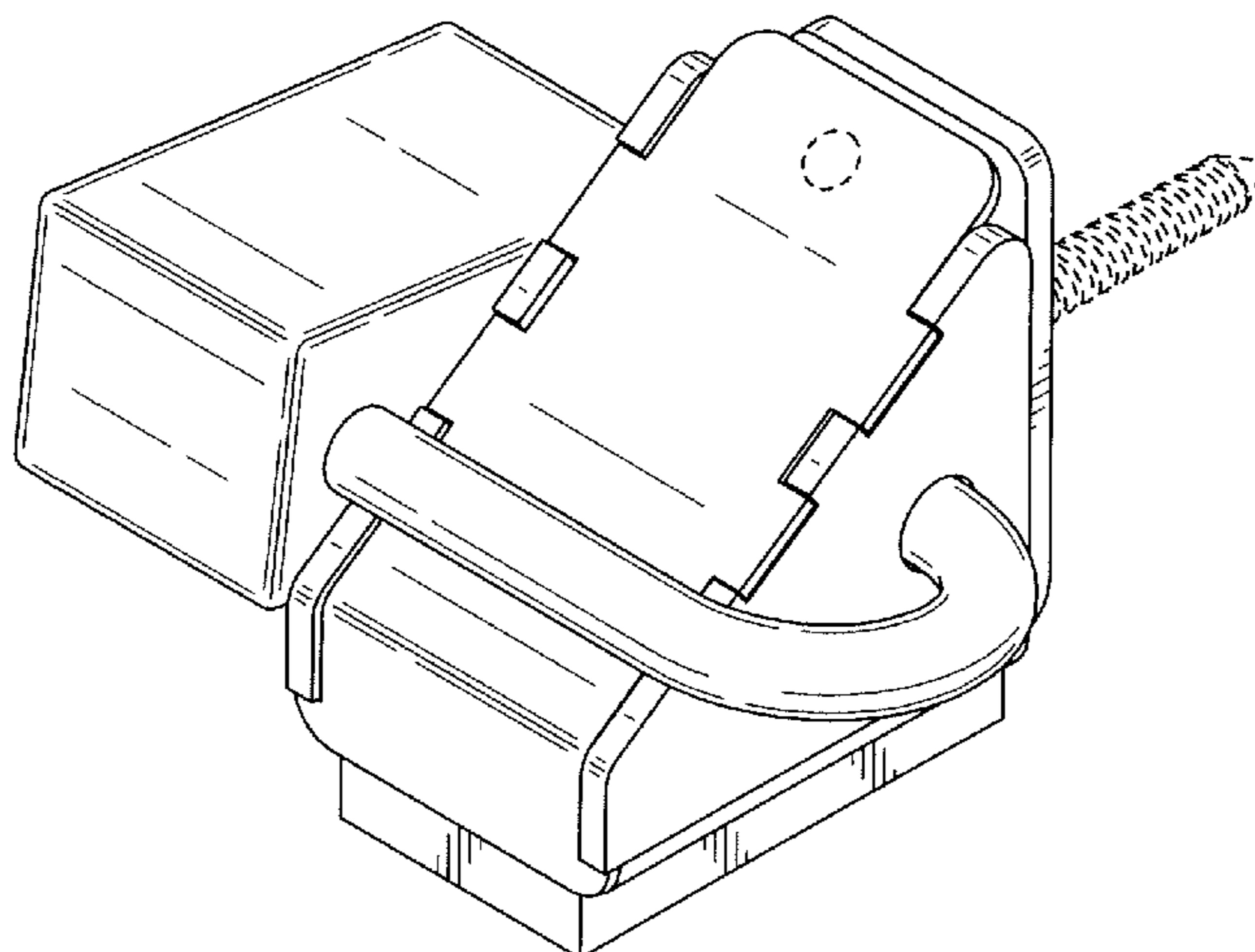
FIG. 5 is a left side elevational view thereof;

FIG. 6 is a top plan view thereof; and,

FIG. 7 is a bottom plan view thereof.

The ornamental design which is claimed is shown in solid lines in the drawings. The broken lines in the drawings are for illustrative purposes only and form no part of the claimed design.

1 Claim, 5 Drawing Sheets



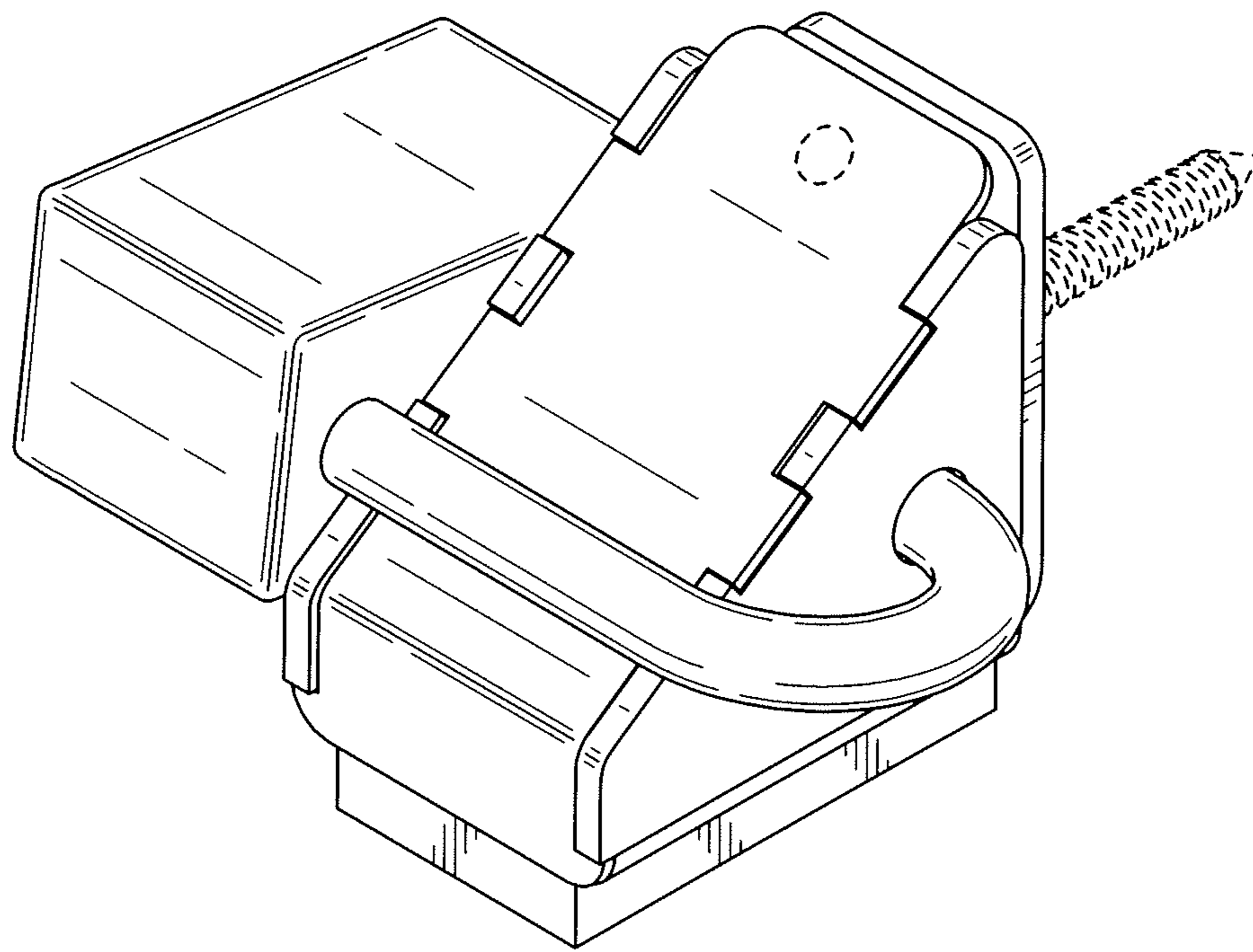


FIG. 1

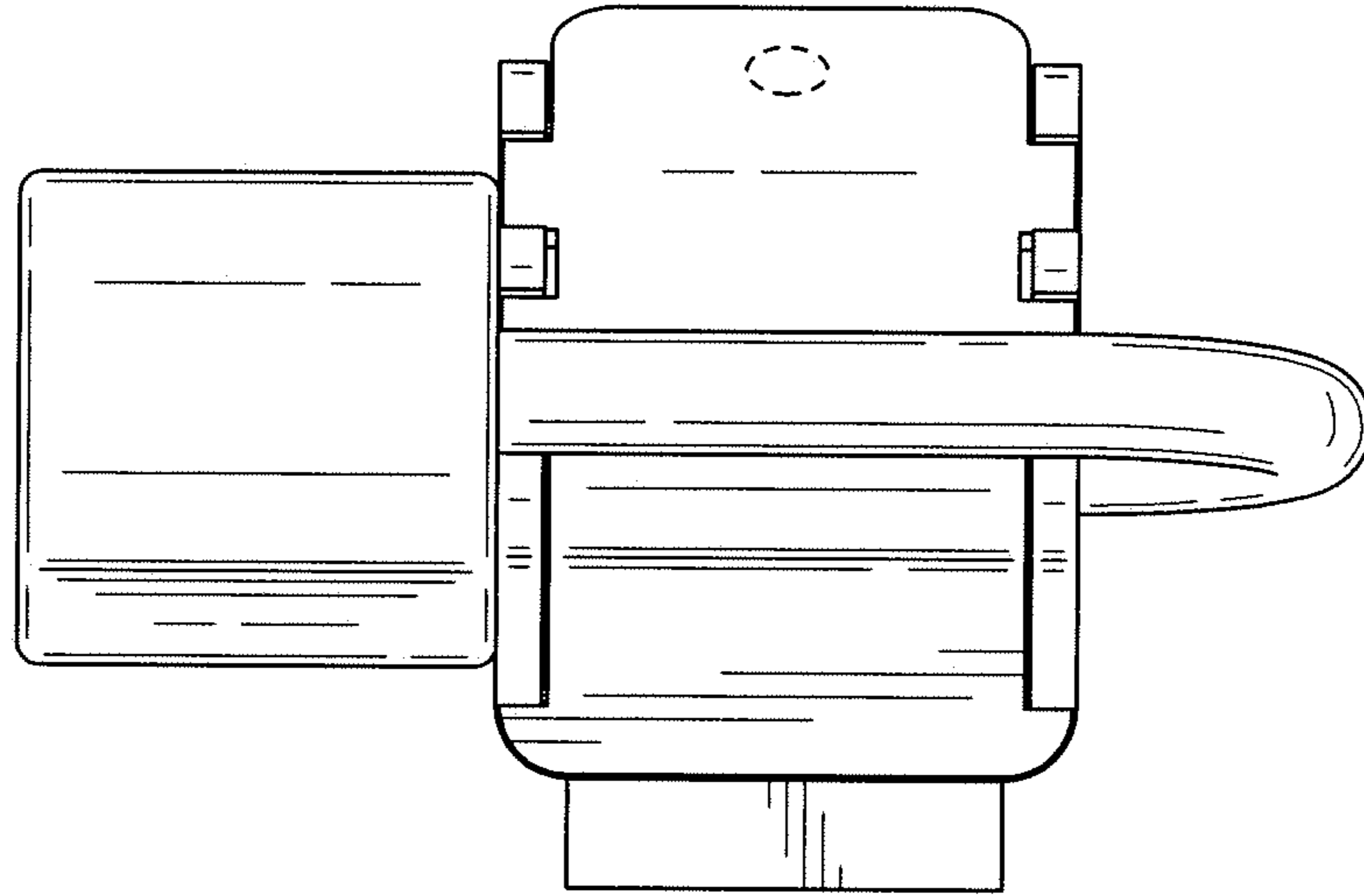


FIG. 2

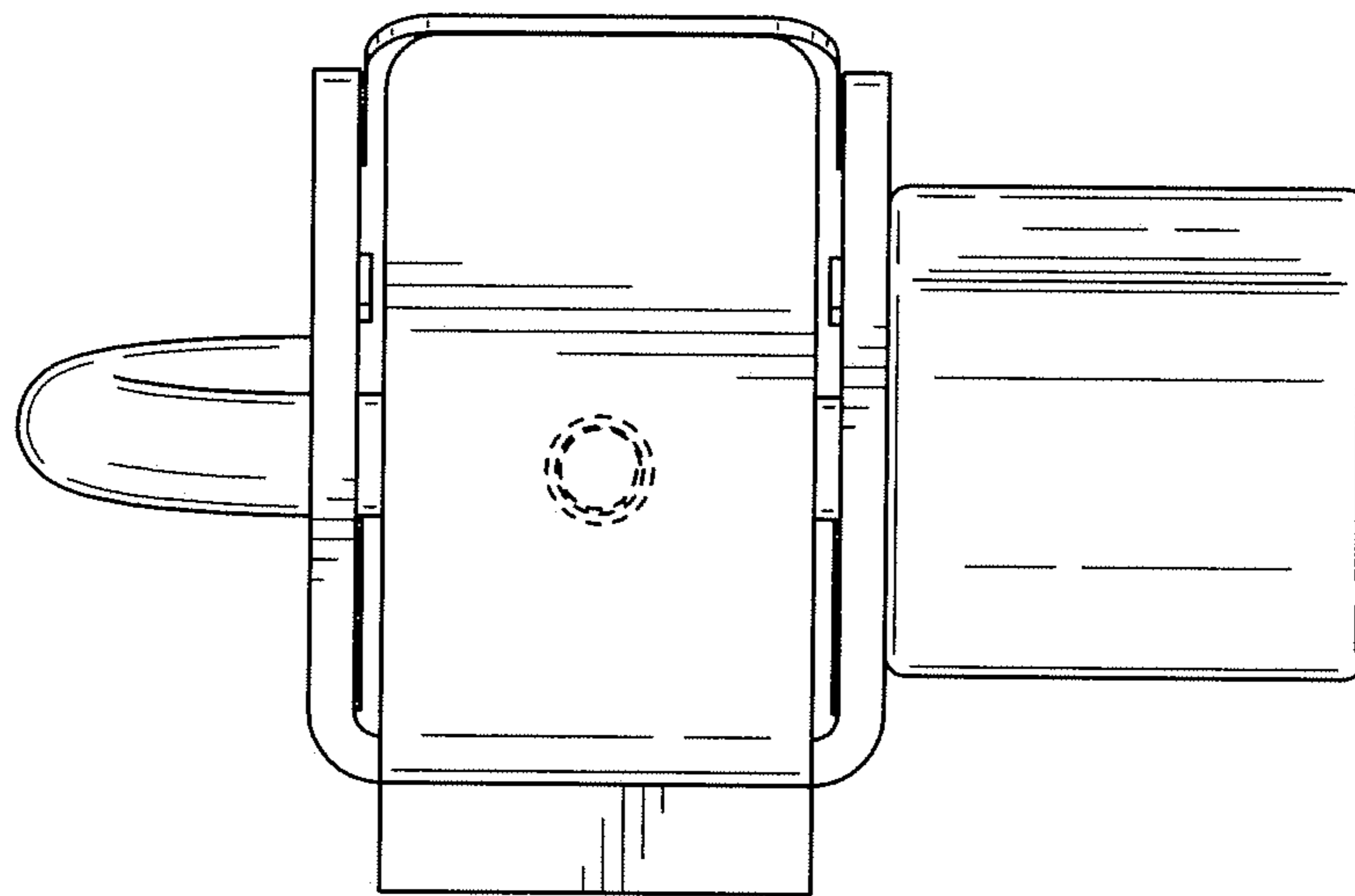


FIG. 3

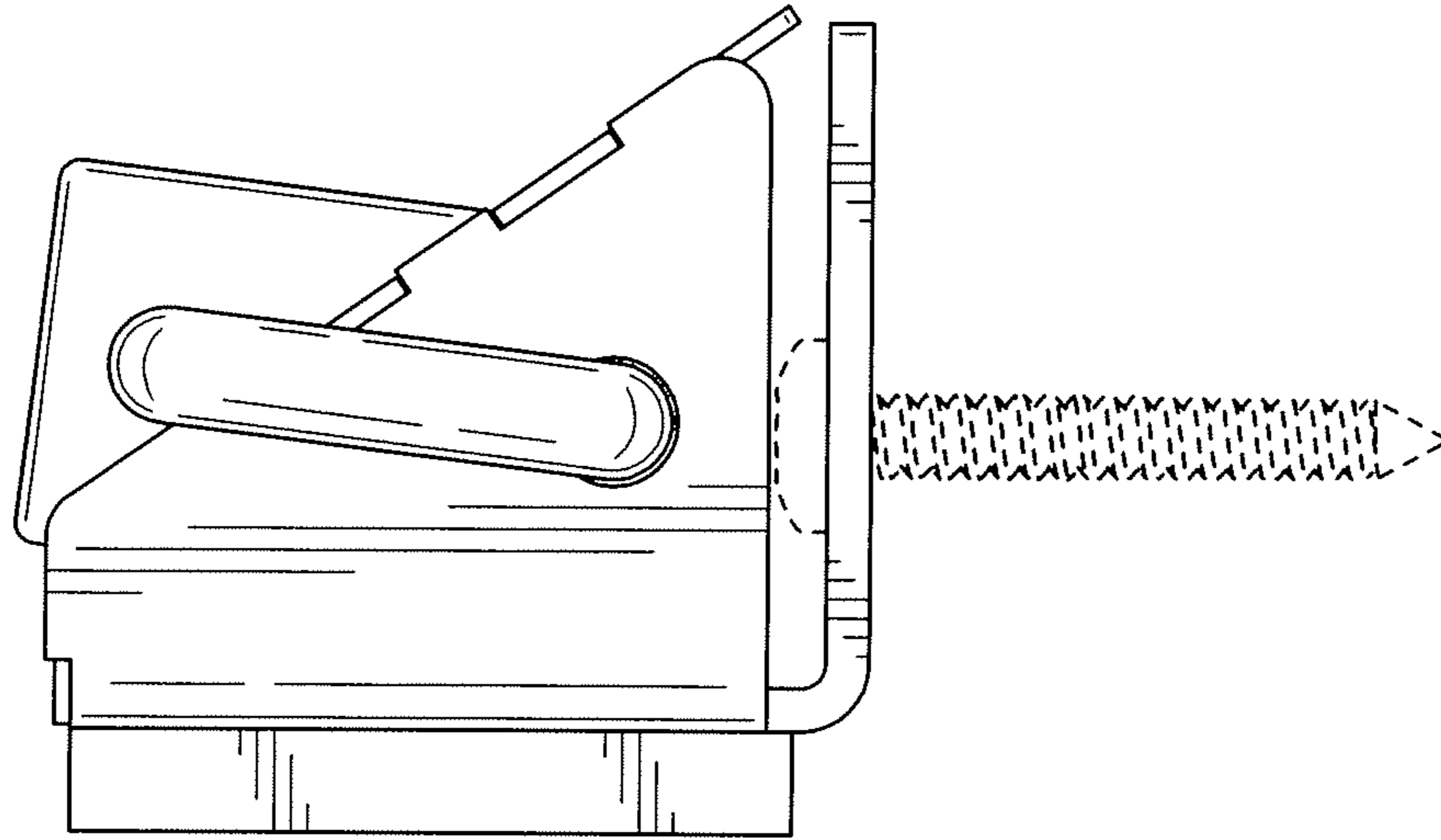


FIG. 4

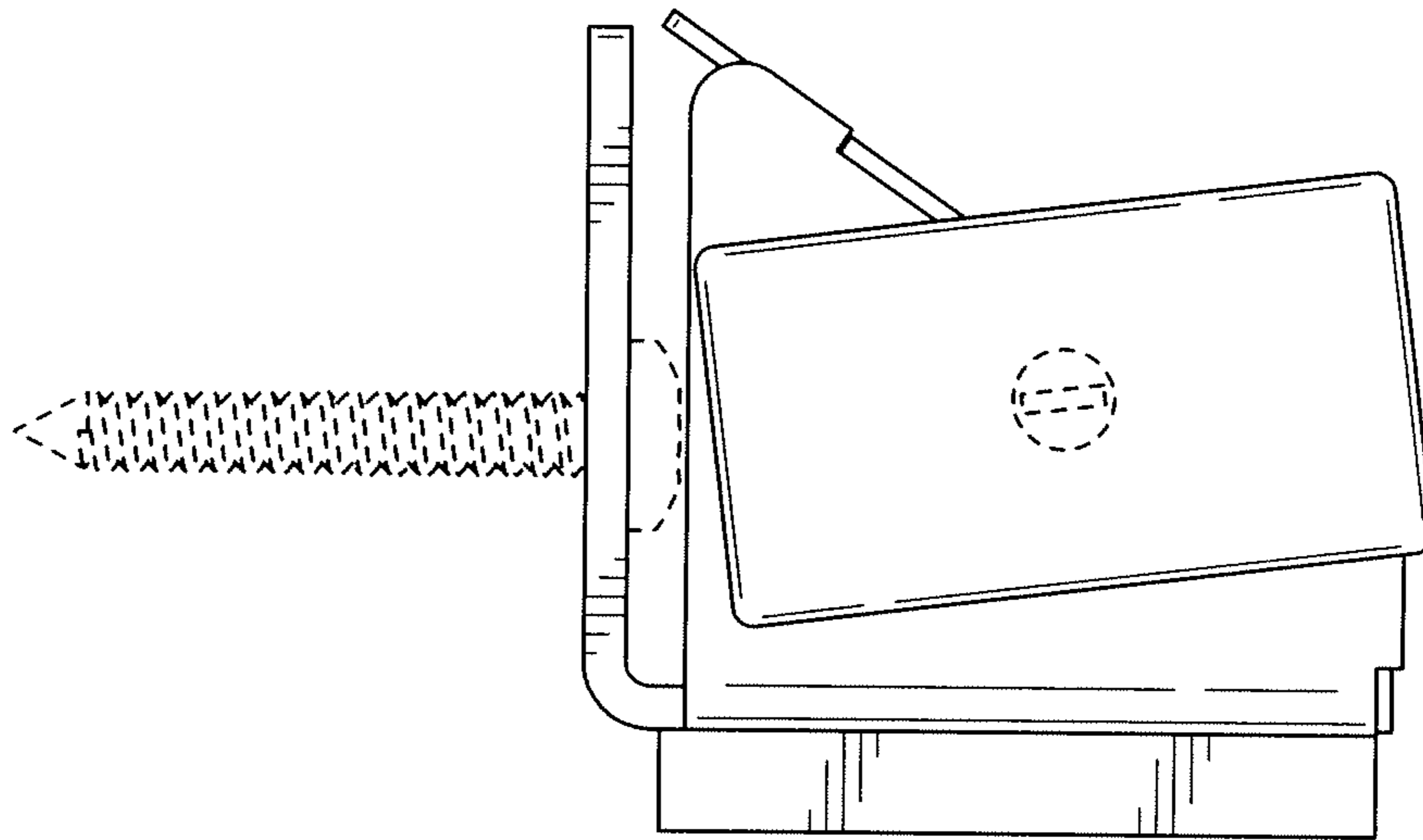


FIG. 5

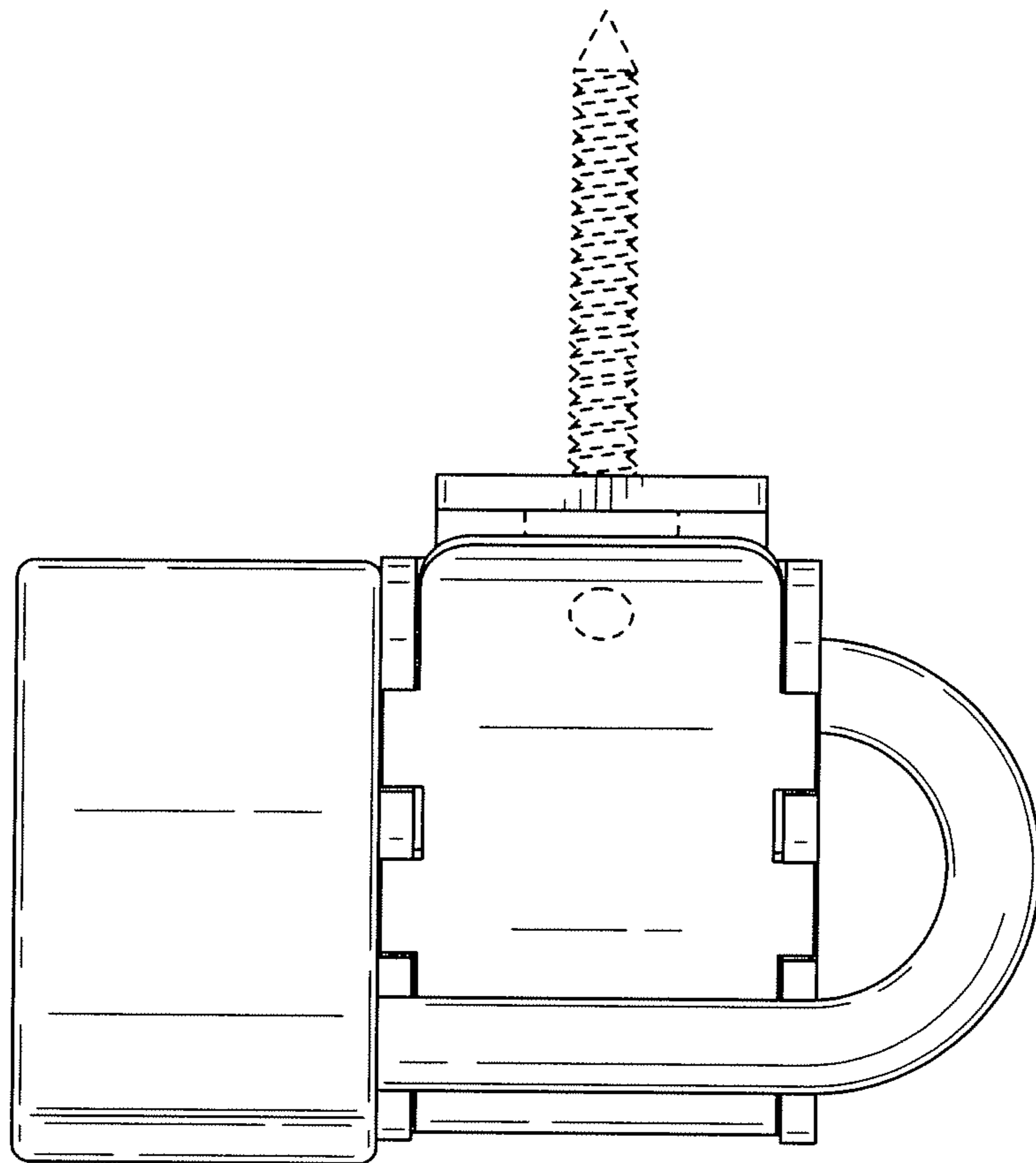


FIG. 6

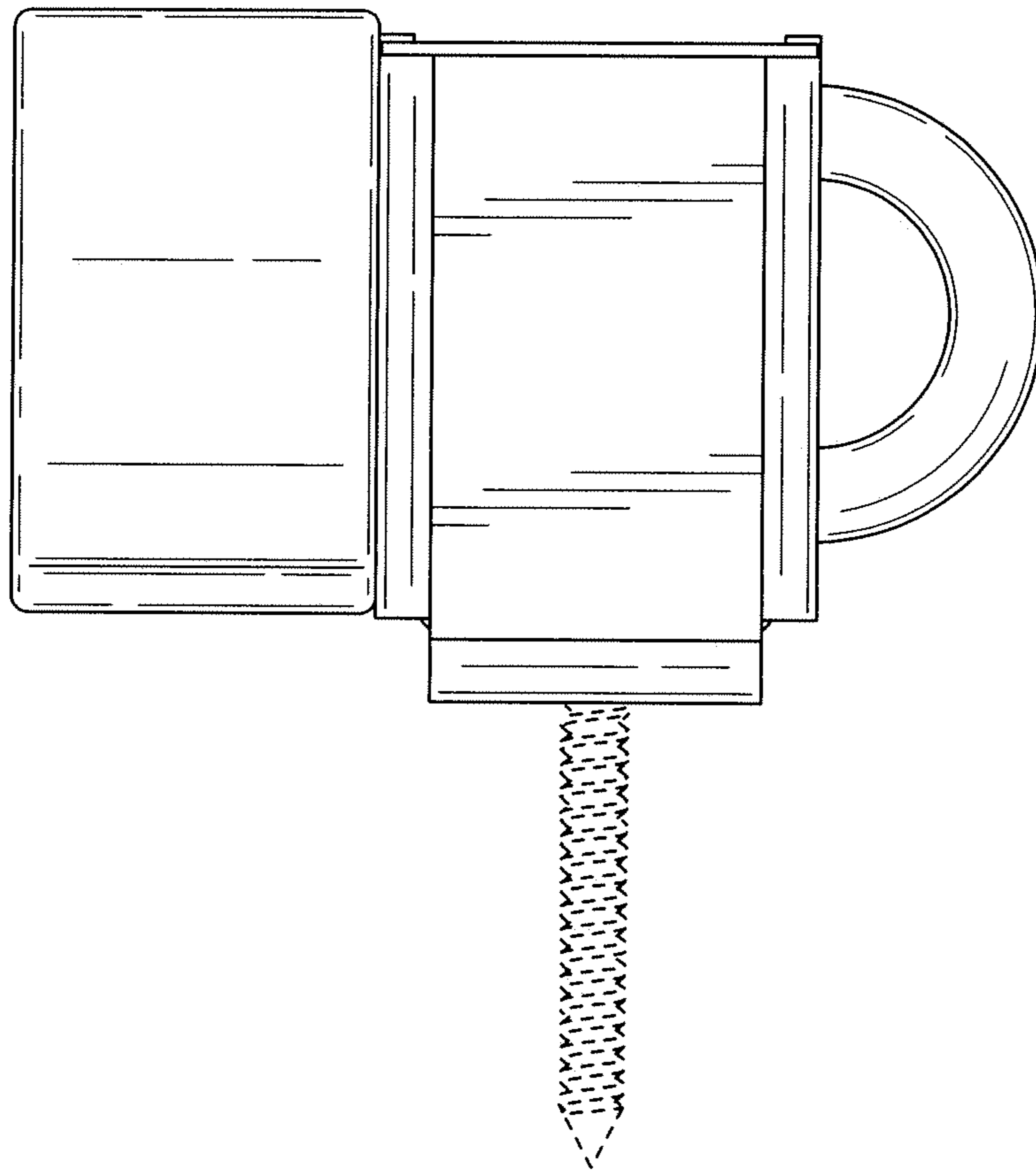


FIG. 7