



US00D679570S

(12) **United States Design Patent**
Farnsworth et al.

(10) **Patent No.:** **US D679,570 S**

(45) **Date of Patent:** **** Apr. 9, 2013**

(54) **CLAM HINGE**

(56) **References Cited**

(75) Inventors: **Hilary Farnsworth**, New Rochelle, NY (US); **Robert Cannetti**, Lindenhurst, NY (US); **Sagar Anatwar**, Stony Brook, NY (US); **June Feldman**, New York, NY (US); **Steven Hamblin**, Daleville, VA (US); **Guna Kuppan**, Ridge, NY (US); **Robert Pandorf**, Titusville, NJ (US); **Joseph Toro**, E. Patchogue, NY (US)

U.S. PATENT DOCUMENTS

D305,298	S	*	1/1990	De Langie	D8/323
D443,196	S	*	6/2001	Sosa	D8/323
6,966,150	B2	*	11/2005	Chiang	49/388
7,114,292	B2	*	10/2006	Chiang	49/388
D533,433	S	*	12/2006	Loggen	D8/329
D534,053	S	*	12/2006	Sozzi	D8/329
D543,830	S	*	6/2007	Frank et al.	D8/323
D544,779	S	*	6/2007	Loggen	D8/327
D653,097	S	*	1/2012	Hatano	D8/328

* cited by examiner

(73) Assignee: **Scranton Products, Inc.**, Scranton, PA (US)

Primary Examiner — Cynthia Underwood

(74) *Attorney, Agent, or Firm* — Buchanan Ingersoll & Rooney PC

(**) Term: **14 Years**

(57) **CLAIM**

(21) Appl. No.: **29/425,900**

The ornamental design for a clam hinge, as shown and described.

(22) Filed: **Jun. 28, 2012**

DESCRIPTION

(51) **LOC (9) Cl.** **08-06**

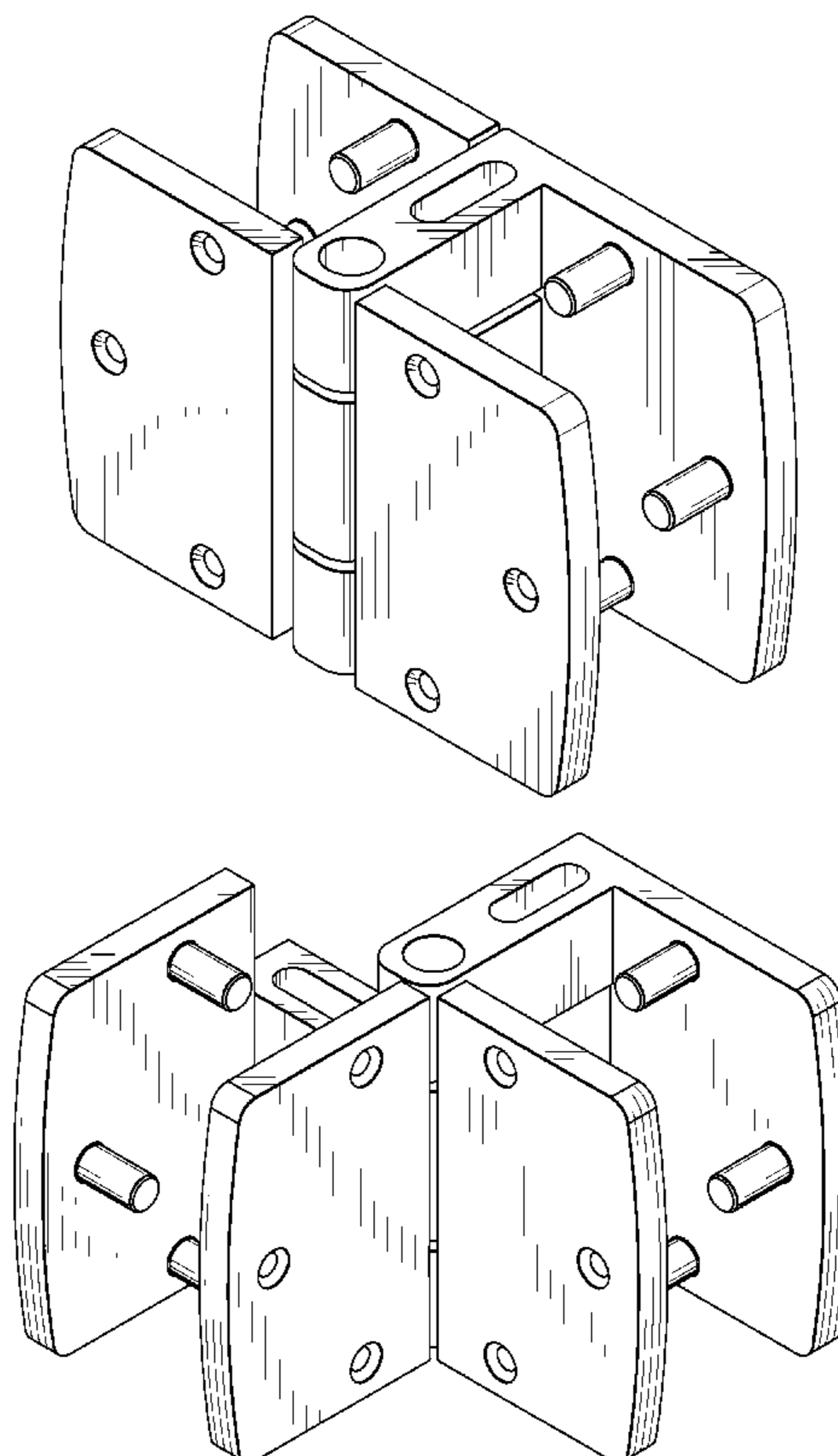
(52) **U.S. Cl.** **D8/323**

(58) **Field of Classification Search** D8/367,
D8/353, 354, 349, 356, 352, 351, 381, 372,
D8/323, 499, 327, 329; D6/323; 248/301,
248/304, 214, 215, 508, 354.7, 340, 302;
D21/662; 294/143; 211/118; 16/87.2, 87.8,
16/330; 24/DIG. 11; 402/79; D22/144;
184/6.19

FIG. 1 is a perspective view of our clam hinge;
FIG. 2 is a back view thereof;
FIG. 3 is a top view thereof;
FIG. 4 is a front view thereof;
FIG. 5 is a right side view, the left t view being a mirror image thereof; and,
FIG. 6 is a perspective view similar to FIG. 1 in which one leaf of the hinge has been moved to be perpendicular to the other leaf of the hinge.

See application file for complete search history.

1 Claim, 4 Drawing Sheets



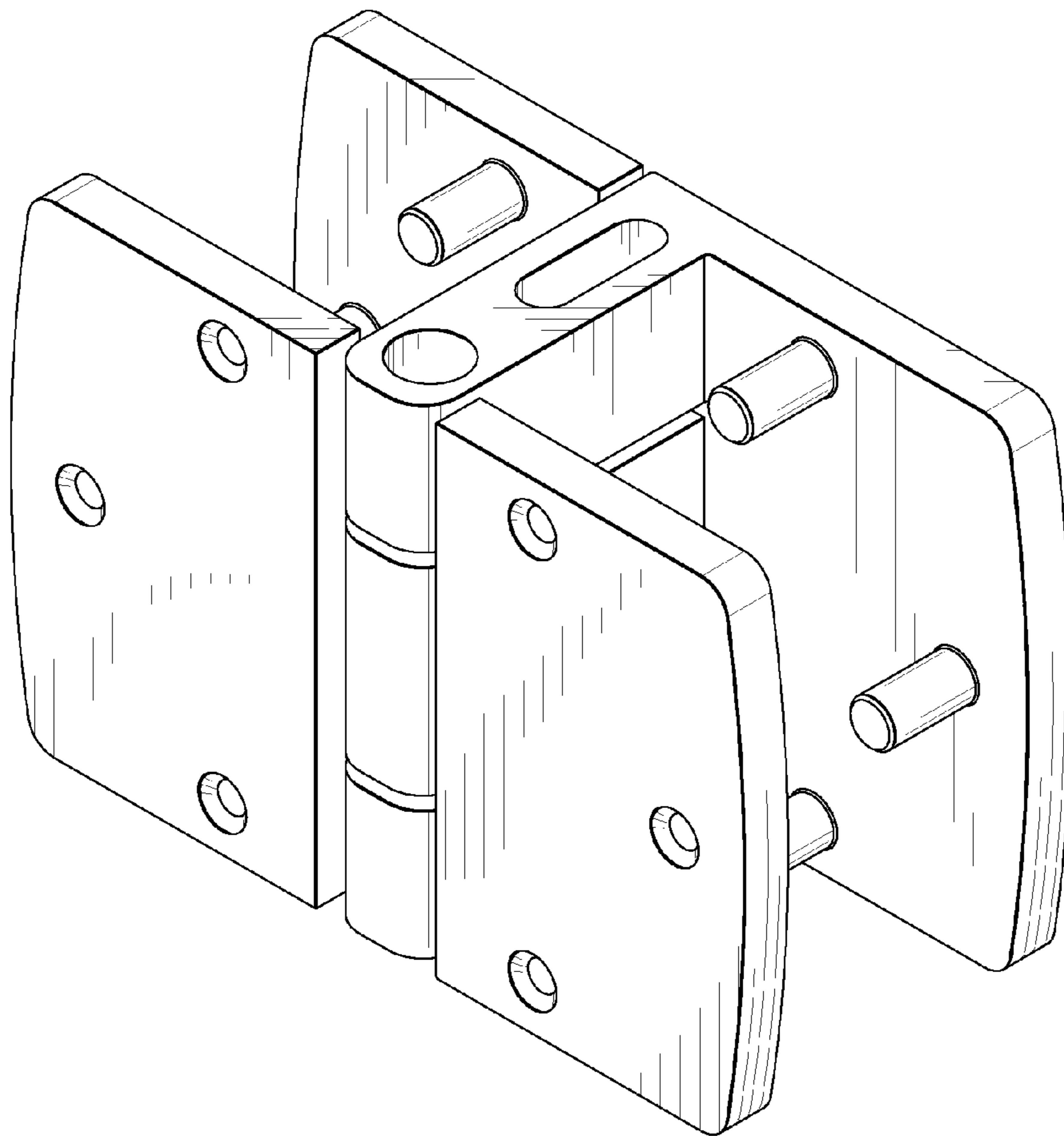


FIG. 1

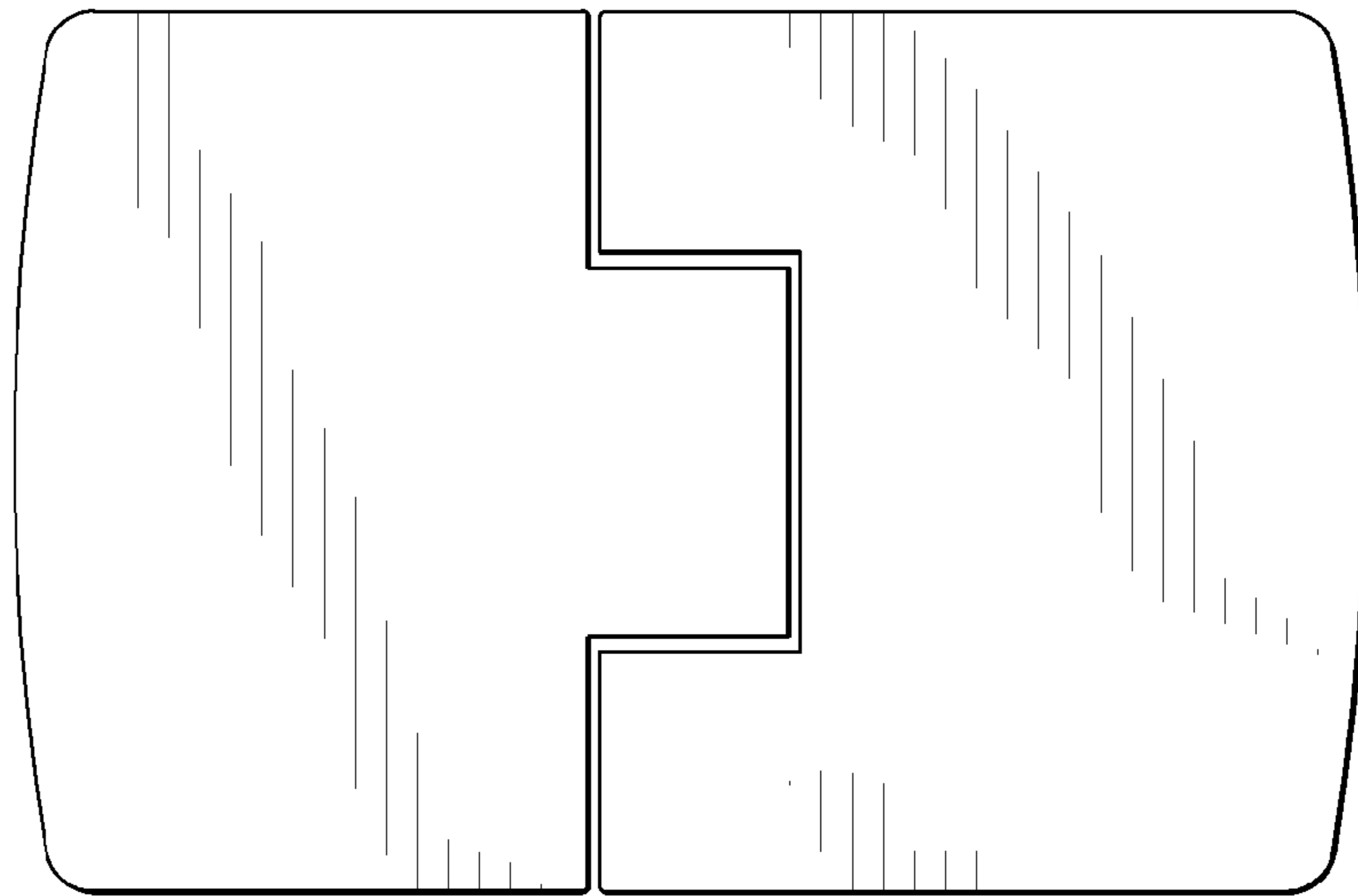


FIG. 2

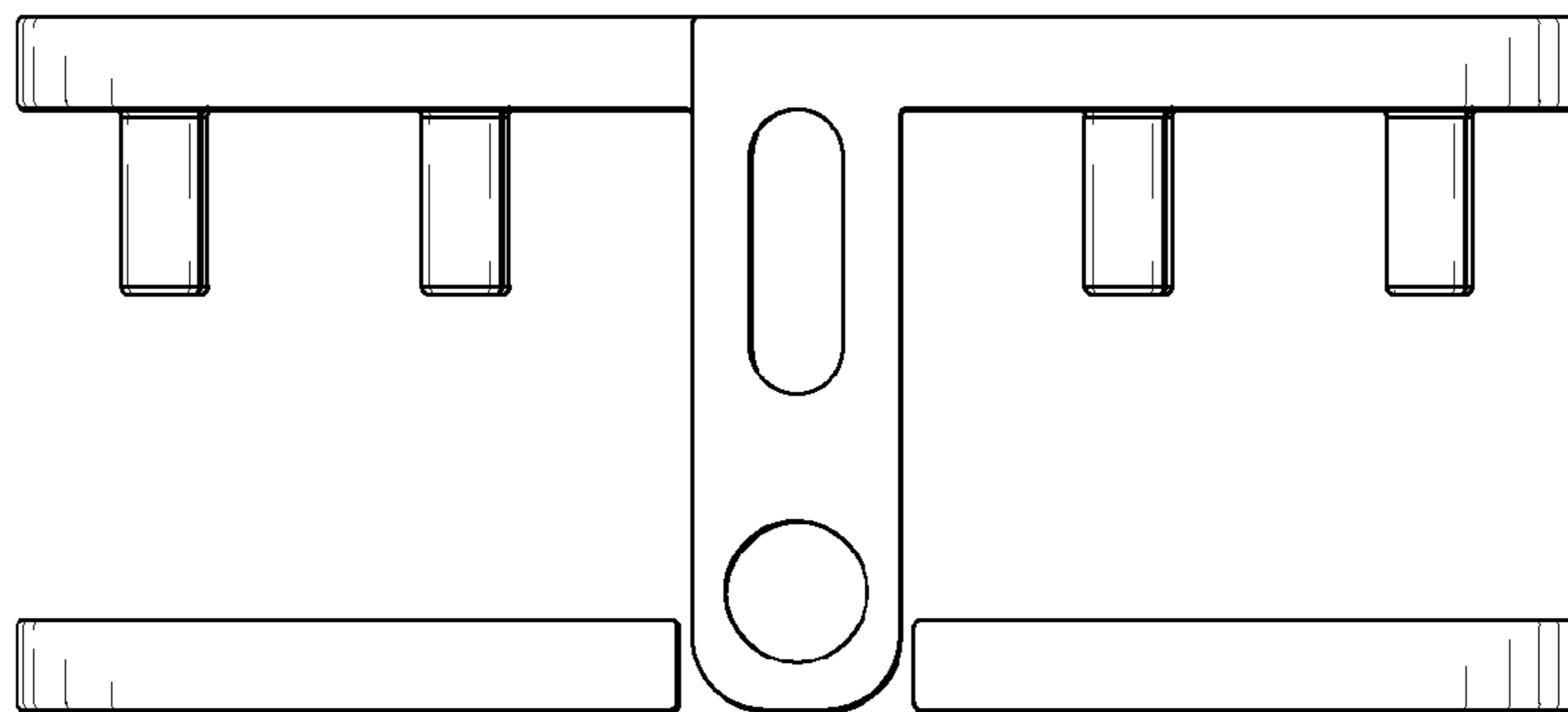


FIG. 3

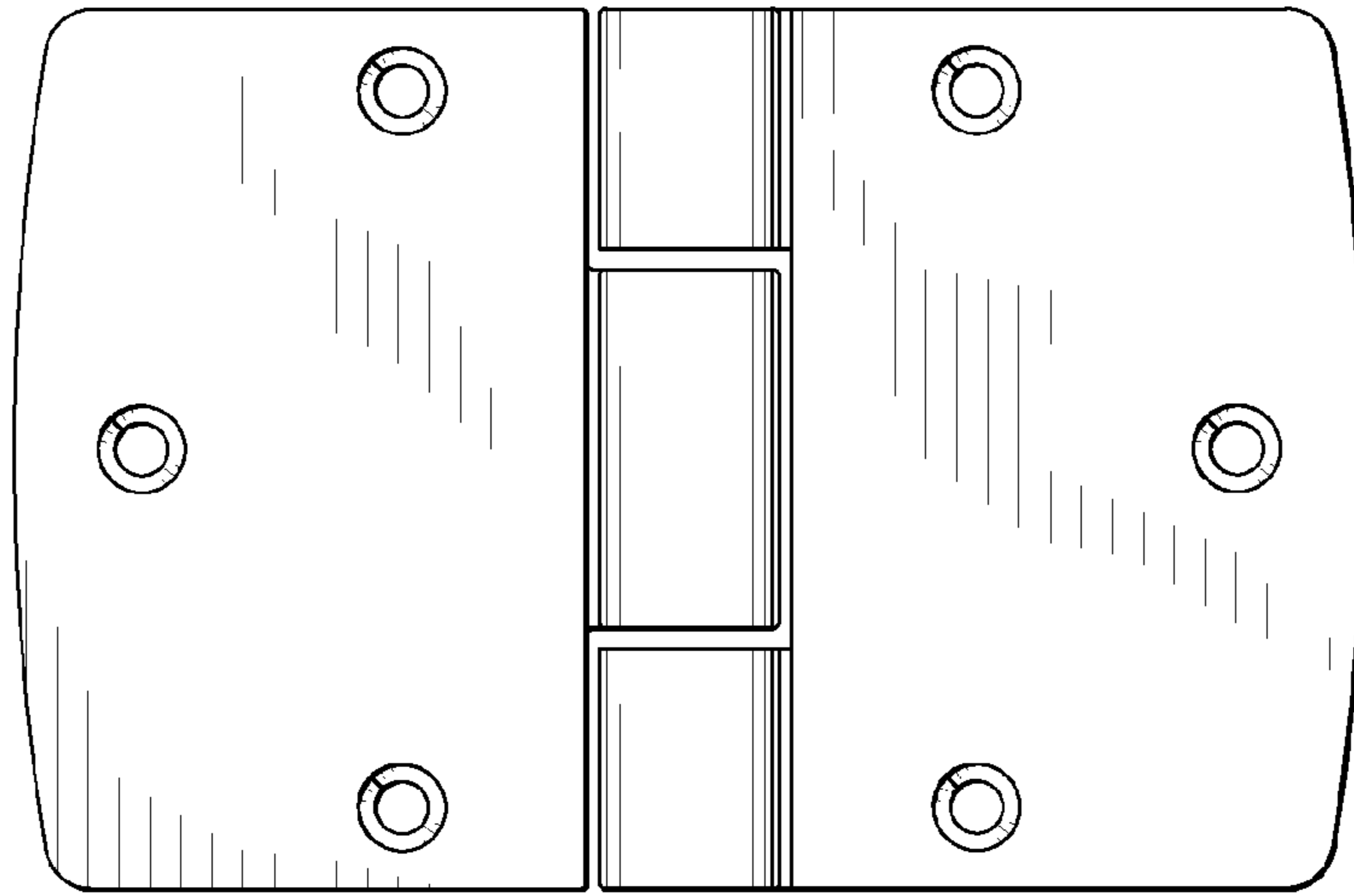


FIG. 4

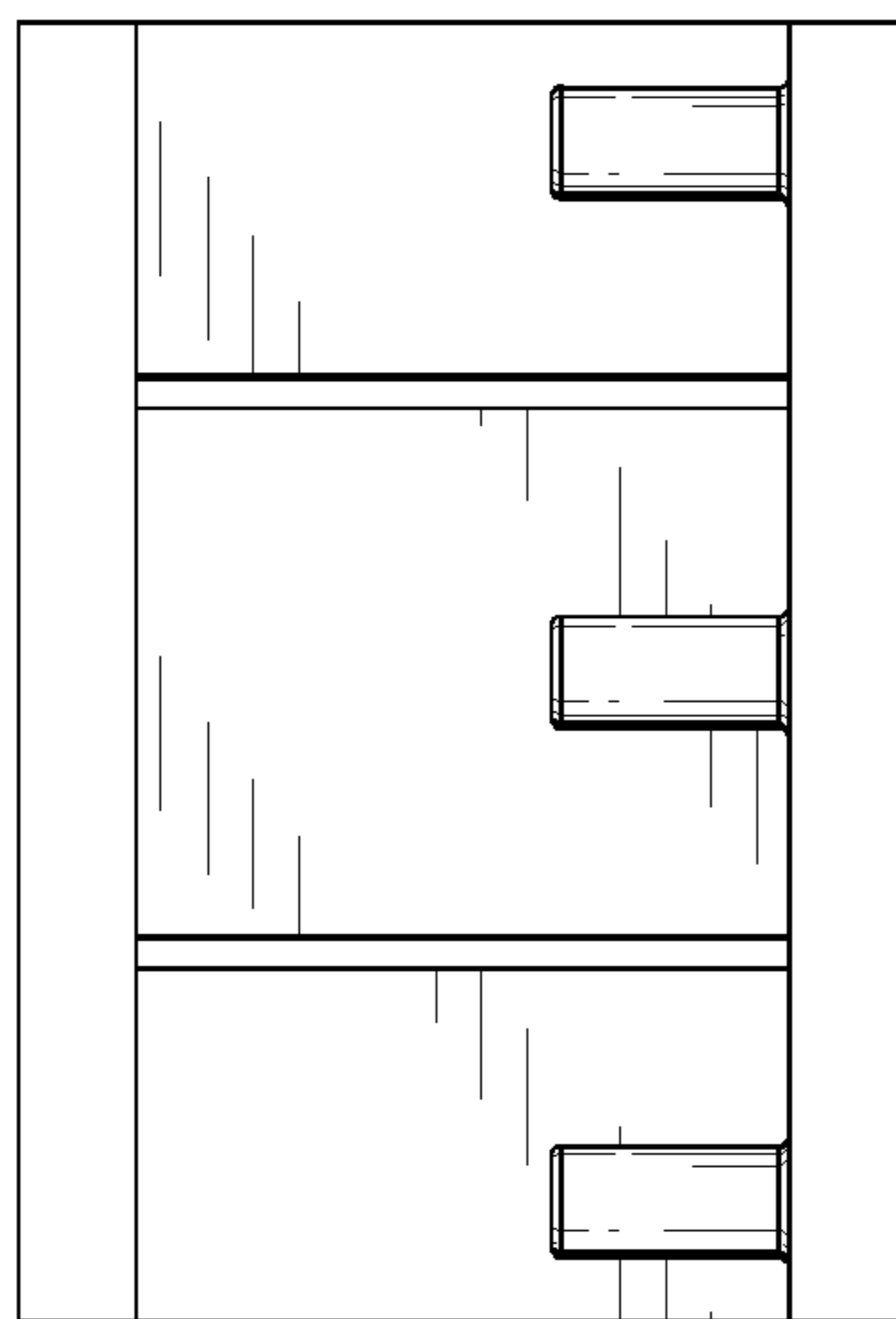


FIG. 5

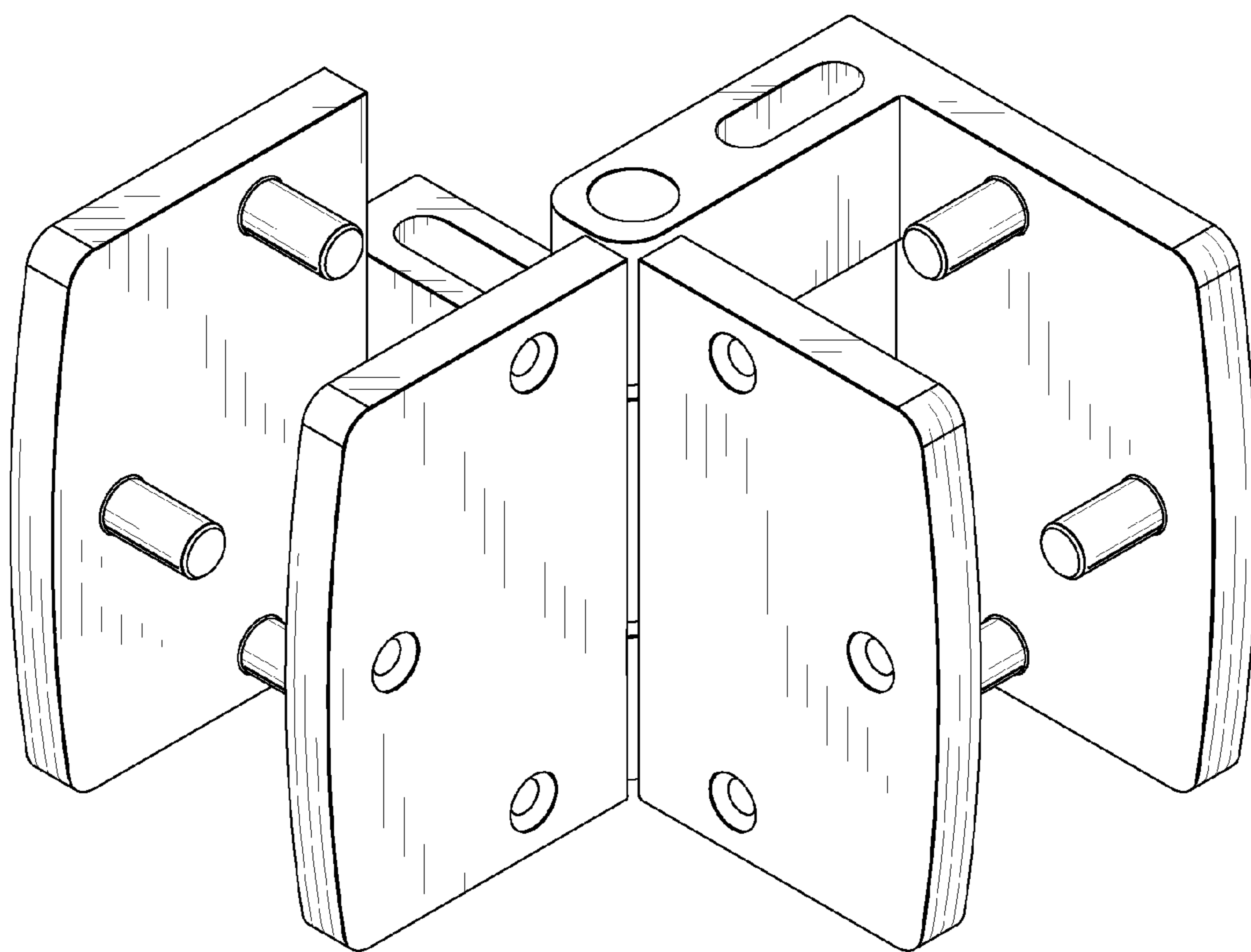


FIG. 6