



US00D679568S

(12) **United States Design Patent**
Ramsland et al.

(10) **Patent No.:** **US D679,568 S**

(45) **Date of Patent:** **** Apr. 9, 2013**

(54) **CABINET HANDLE**

(75) Inventors: **Warren Ramsland**, Hillsborough, NJ
(US); **Christine Zimmer**, Hillsborough,
NJ (US)

(73) Assignee: **Top Knobs USA, Inc.**, Hillsborough, NJ
(US)

(**) **Term:** **14 Years**

(21) **Appl. No.:** **29/416,370**

(22) **Filed:** **Mar. 21, 2012**

(51) **LOC (9) Cl.** **08-06**

(52) **U.S. Cl.** **D8/317**

(58) **Field of Classification Search** D8/300,
D8/315-320, DIG. 1; D7/393; D6/549;
D99/11; 16/110.1, 415, 424, 439; 292/336.3
See application file for complete search history.

(56) **References Cited**

U.S. PATENT DOCUMENTS

D102,568 S *	12/1936	Martin	D8/316
D109,465 S *	5/1938	Aldeen	D8/316
D109,466 S *	5/1938	Aldeen	D8/317
D119,283 S *	3/1940	Reitich	D8/317

D129,927 S *	10/1941	Peat	D8/317
2,329,767 A *	9/1943	Jakeway	16/419
D368,644 S *	4/1996	Bishop	D8/317
D368,843 S *	4/1996	Chieda	D8/317
D381,252 S *	7/1997	Chieda	D8/317
D403,571 S *	1/1999	Burns et al.	D8/317
D406,745 S *	3/1999	Burns et al.	D8/317
D553,944 S *	10/2007	Jou	D8/316

* cited by examiner

Primary Examiner — Paula Greene

(74) *Attorney, Agent, or Firm* — Schultz & Associates, P.C.

(57) **CLAIM**

The ornamental design for a cabinet handle, as shown and described.

DESCRIPTION

FIG. 1 is a perspective view of a cabinet handle showing my new design;

FIG. 2 is a side elevation view thereof;

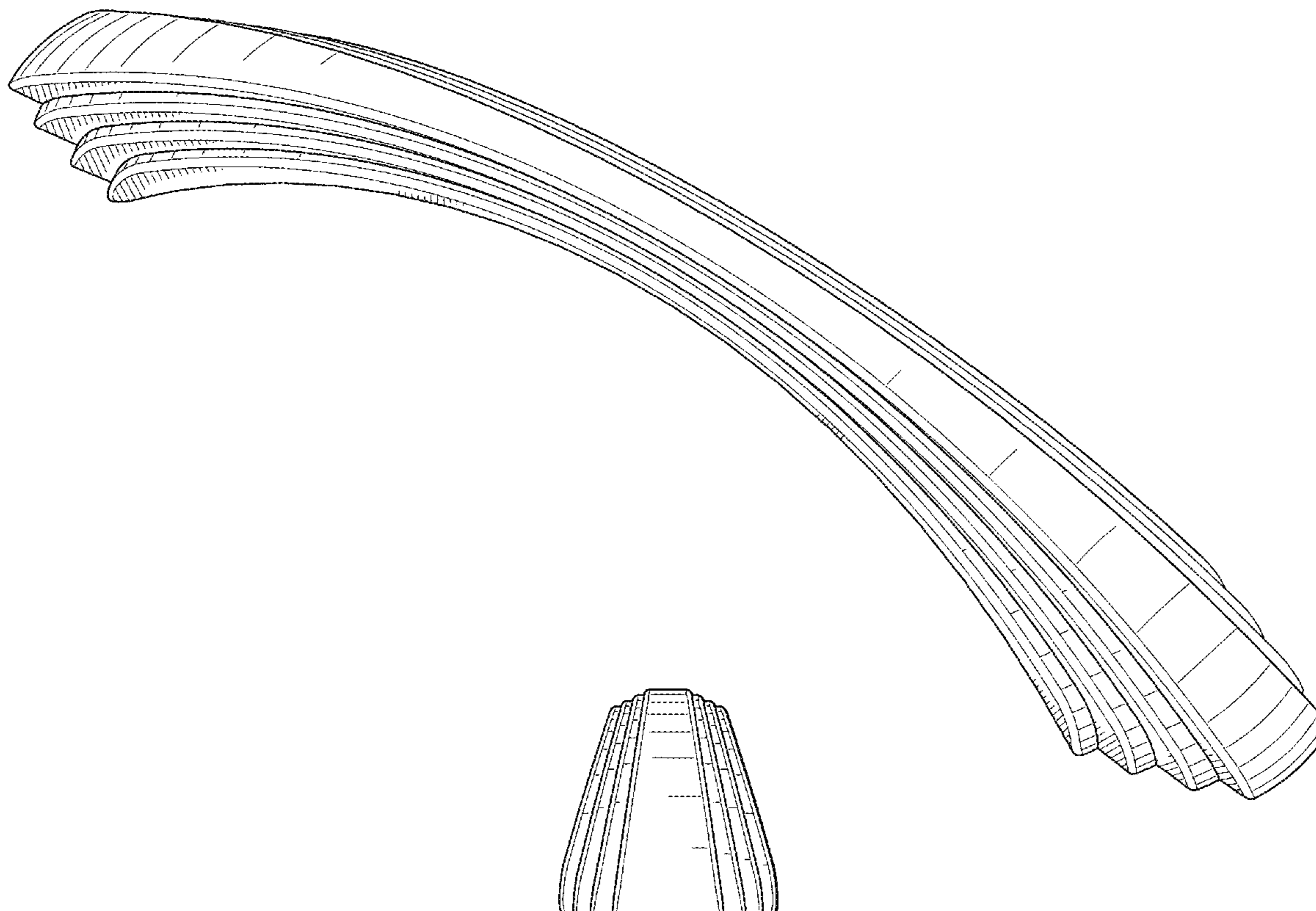
FIG. 3 is a side elevation view thereof;

FIG. 4 is a top plan view thereof; and,

FIG. 5 is a bottom plan view thereof.

The broken lines shown represent unclaimed subject matter and form no part of the claimed design.

1 Claim, 3 Drawing Sheets



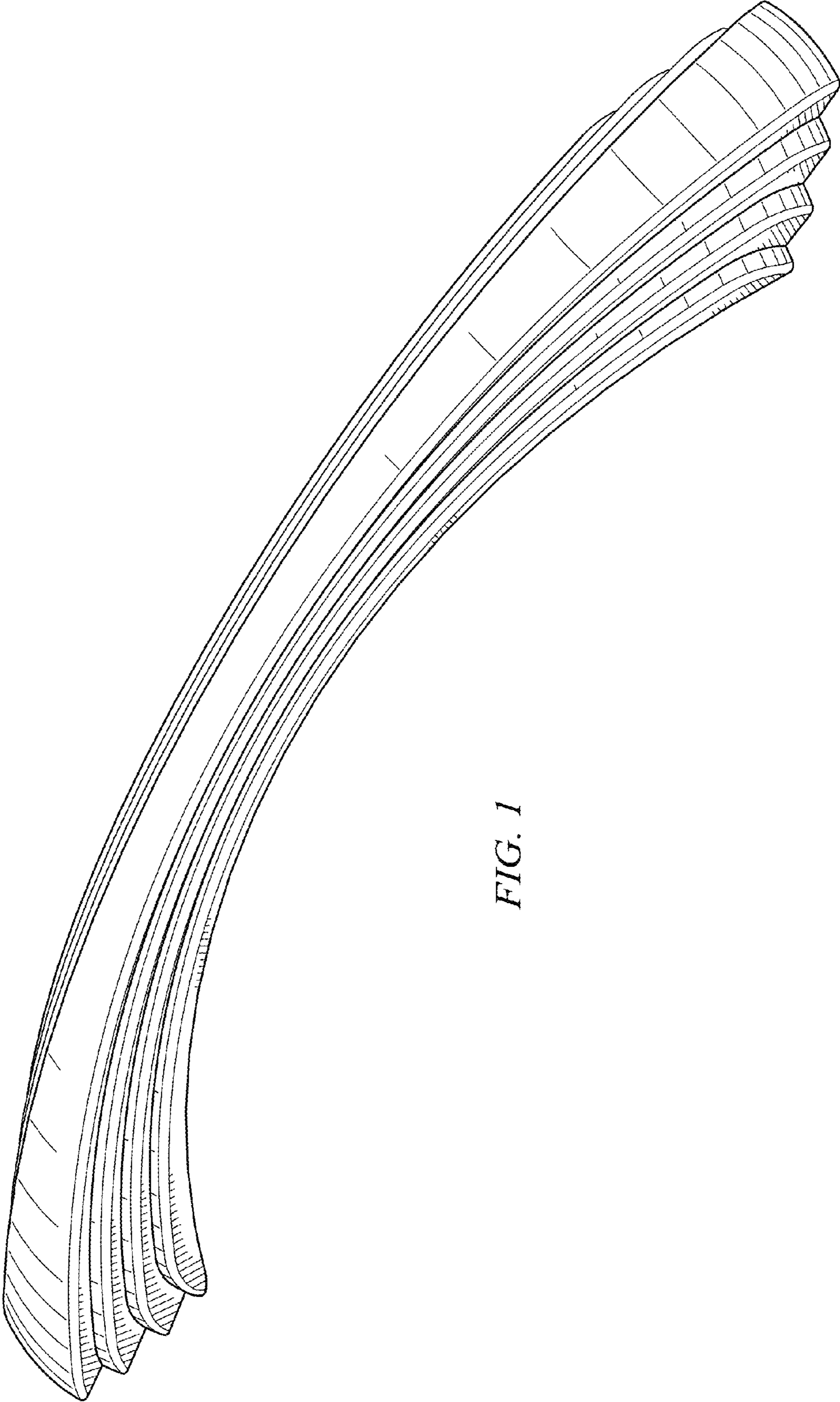


FIG. 1

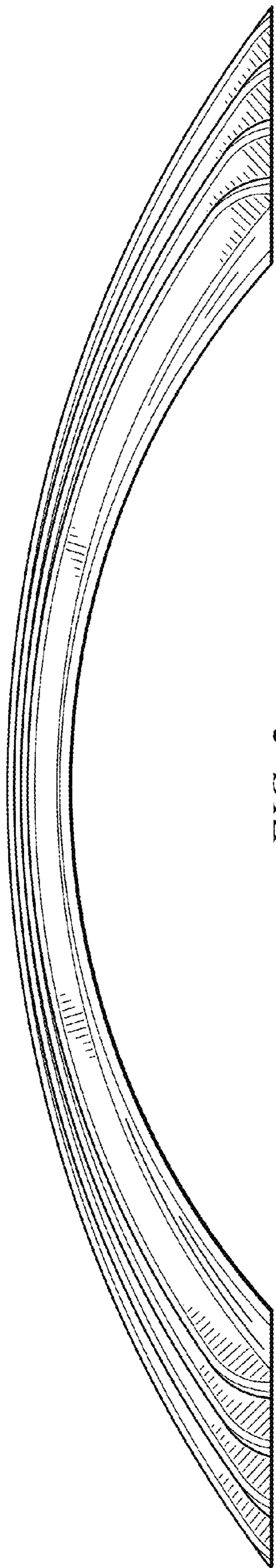


FIG. 2

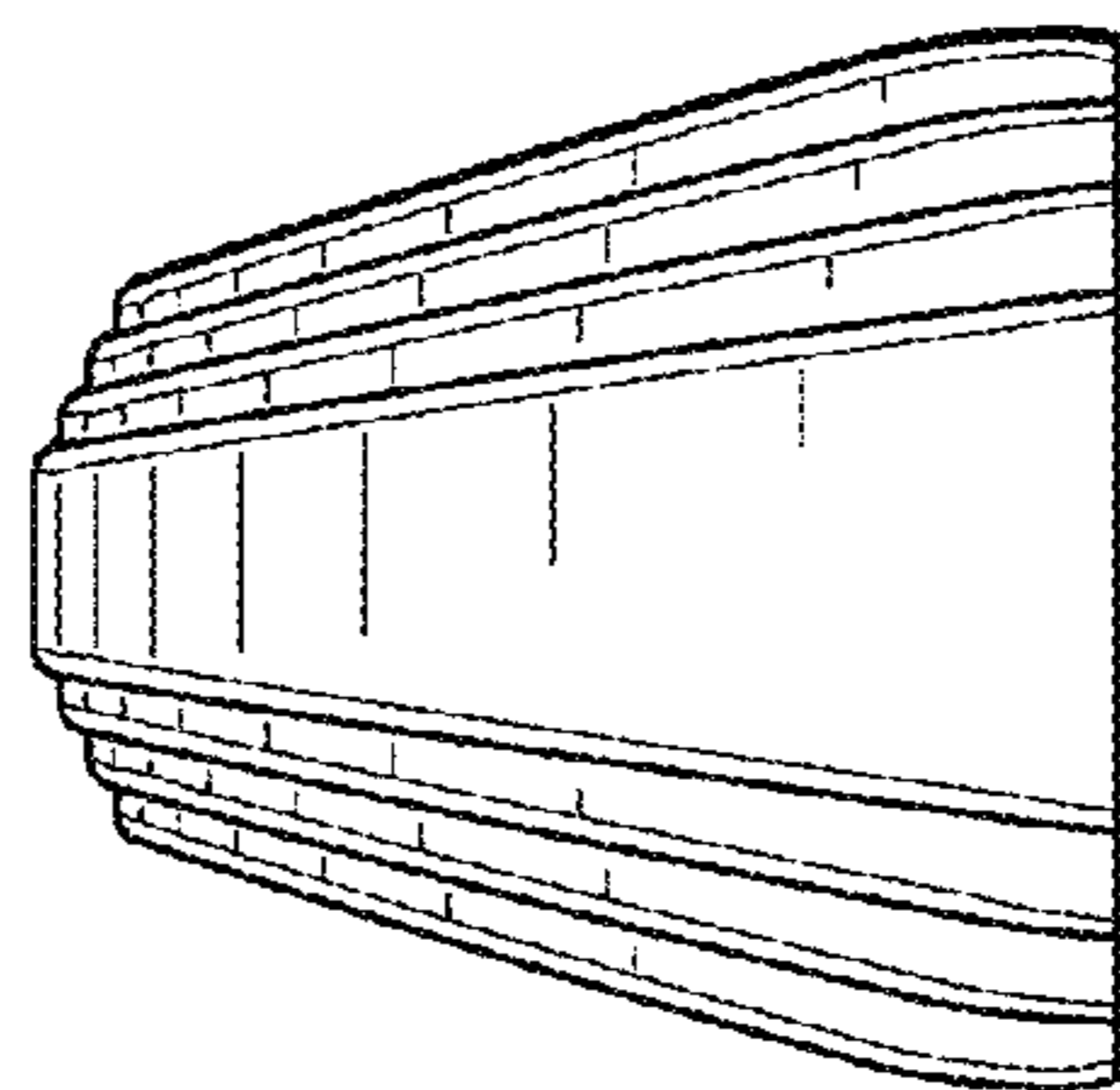


FIG. 3

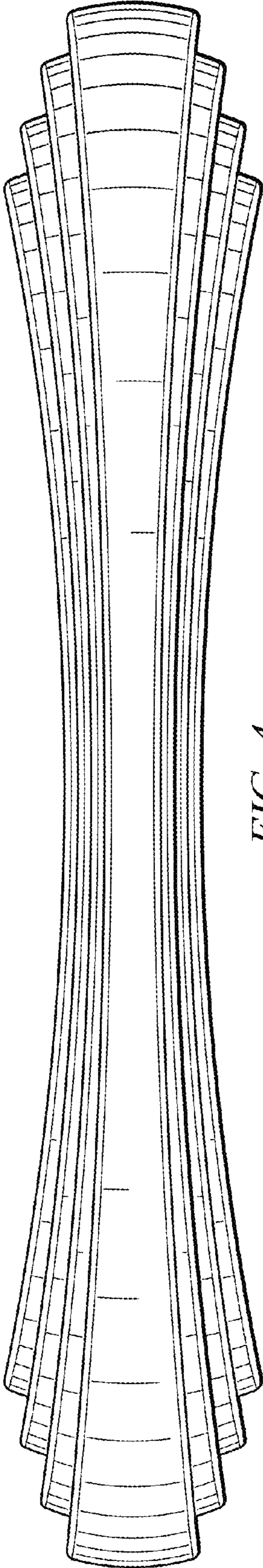


FIG. 4

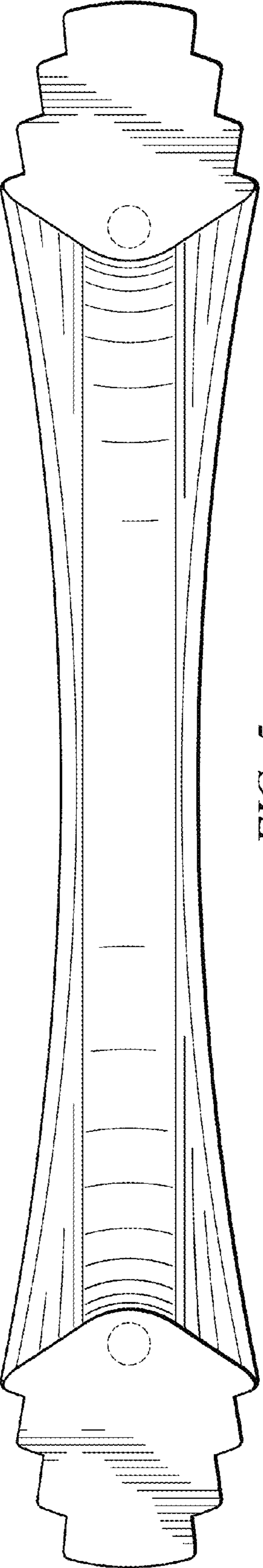


FIG. 5