



US00D679567S

(12) **United States Design Patent**
Ramsland et al.

(10) **Patent No.:** **US D679,567 S**

(45) **Date of Patent:** **** Apr. 9, 2013**

(54) **CABINET HANDLE**

(75) Inventors: **Warren Ramsland**, Hillsborough, NJ
(US); **Christine Zimmer**, Hillsborough,
NJ (US)

(73) Assignee: **Top Knobs USA, Inc.**, Hillsborough, NJ
(US)

(**) Term: **14 Years**

(21) Appl. No.: **29/416,284**

(22) Filed: **Mar. 20, 2012**

(51) **LOC (9) Cl.** **08-06**

(52) **U.S. Cl.** **D8/316; D8/305**

(58) **Field of Classification Search** D8/300,
D8/305, DIG. 1, 315-320; D99/11; D7/393;
D28/42; 132/278; 16/110.1, 415, 424, 439;
292/336.3

See application file for complete search history.

(56) **References Cited**

U.S. PATENT DOCUMENTS

D93,848 S *	11/1934	Rettich	D8/305
D194,782 S *	3/1963	Watt, Jr.	D8/314
D194,968 S *	4/1963	Stelma	D8/317
D204,128 S *	3/1966	Clayton	D8/317

D205,888 S *	10/1966	Clayton	D8/317
D208,689 S *	9/1967	Morgan	D8/317
D255,302 S *	6/1980	Newsom et al.	D6/471
D267,774 S *	2/1983	Pittenger	D8/317
D431,444 S *	10/2000	Short	D8/316
D451,782 S *	12/2001	Dewald	D8/317
D567,627 S *	4/2008	Hoernig	D8/316
D602,337 S *	10/2009	Hanes	D8/316
D639,134 S *	6/2011	Owens	D8/316

* cited by examiner

Primary Examiner — Paula Greene

(74) *Attorney, Agent, or Firm* — Schultz & Associates, P.C.

(57) **CLAIM**

The ornamental design for a cabinet handle, as shown and described.

DESCRIPTION

FIG. 1 is a perspective view of a cabinet handle showing my new design;

FIG. 2 is a side elevation view thereof;

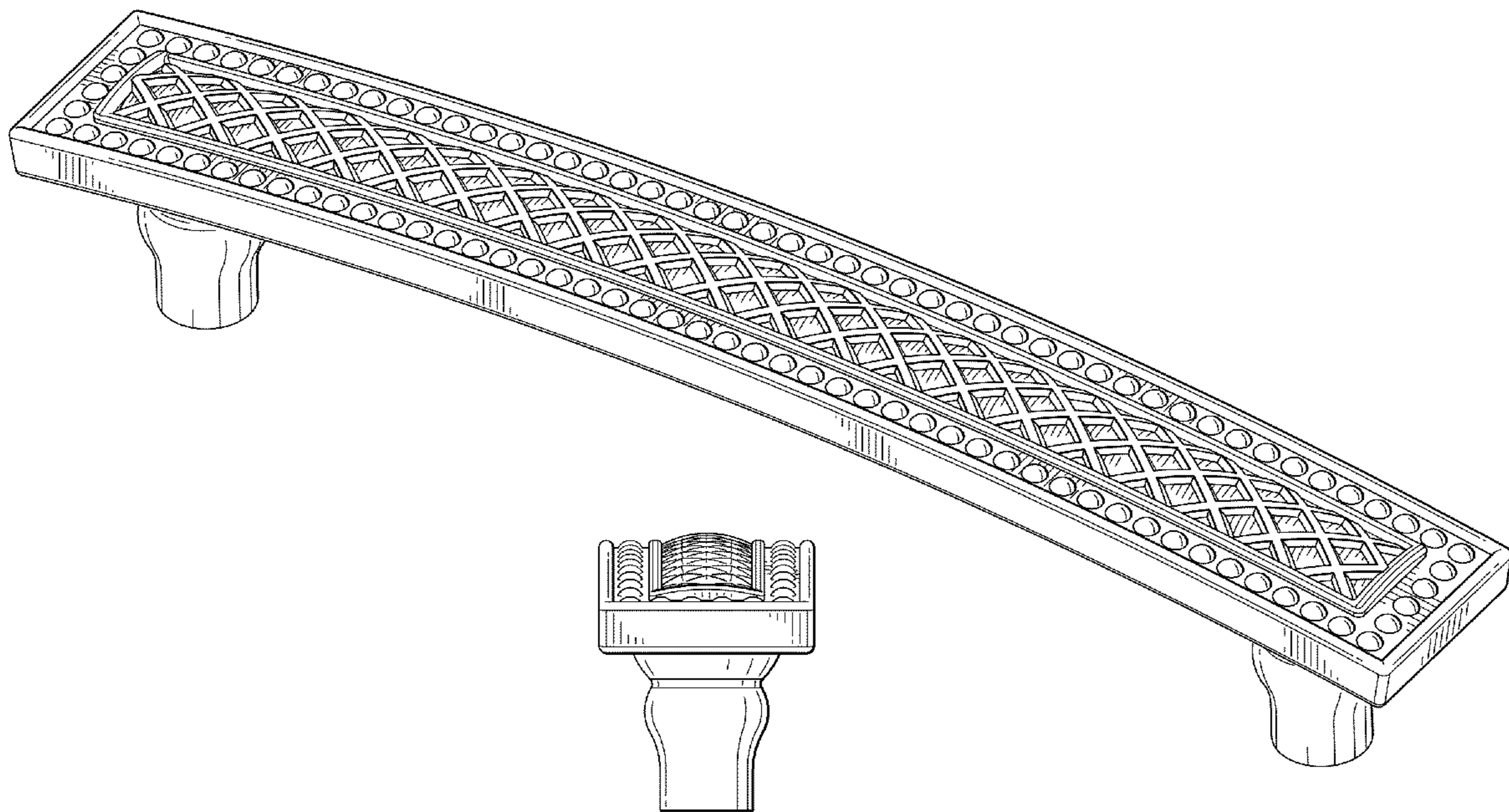
FIG. 3 is a top plan view thereof;

FIG. 4 is a side elevation view thereof; and,

FIG. 5 is a bottom plan view thereof.

The broken lines shown represent unclaimed subject matter and form no part of the claimed design.

1 Claim, 3 Drawing Sheets



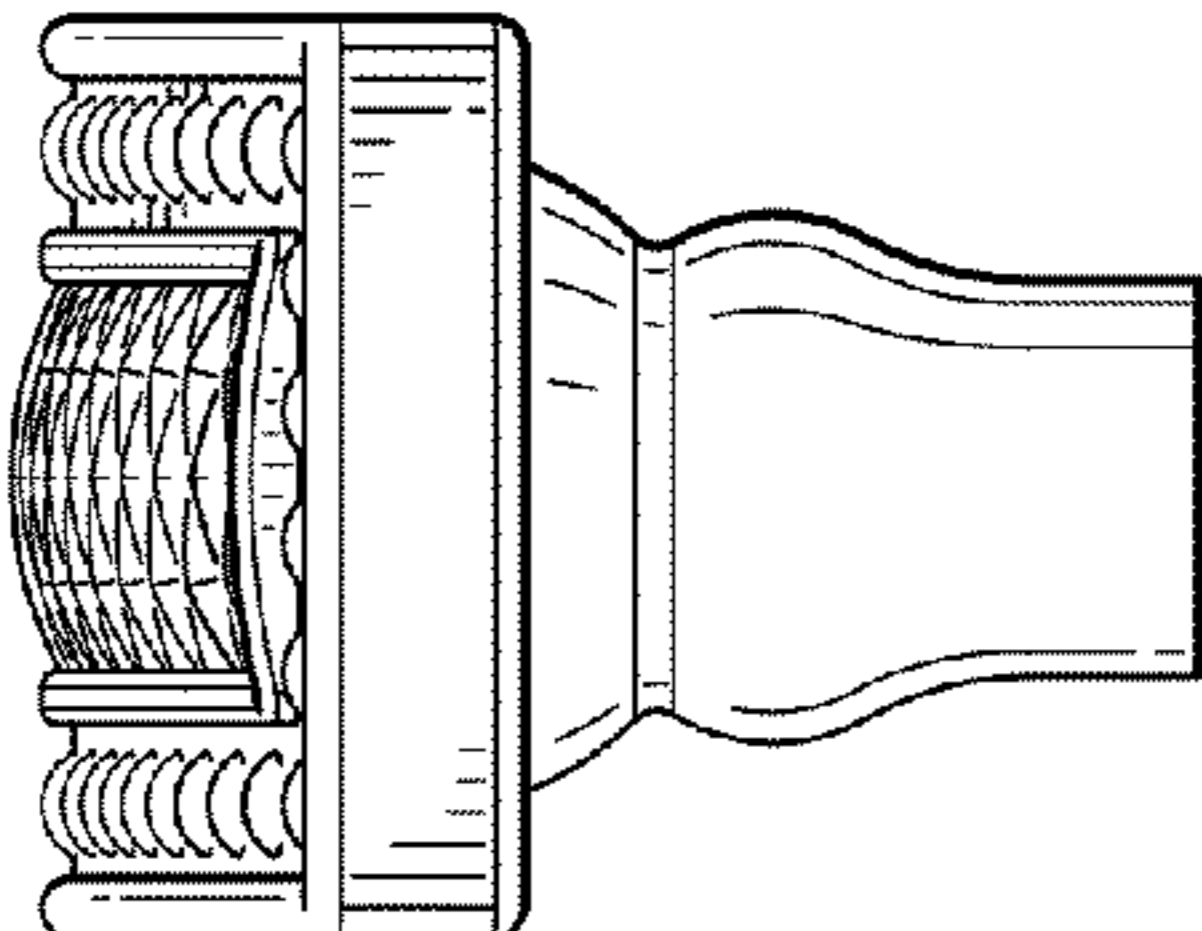


FIG. 2

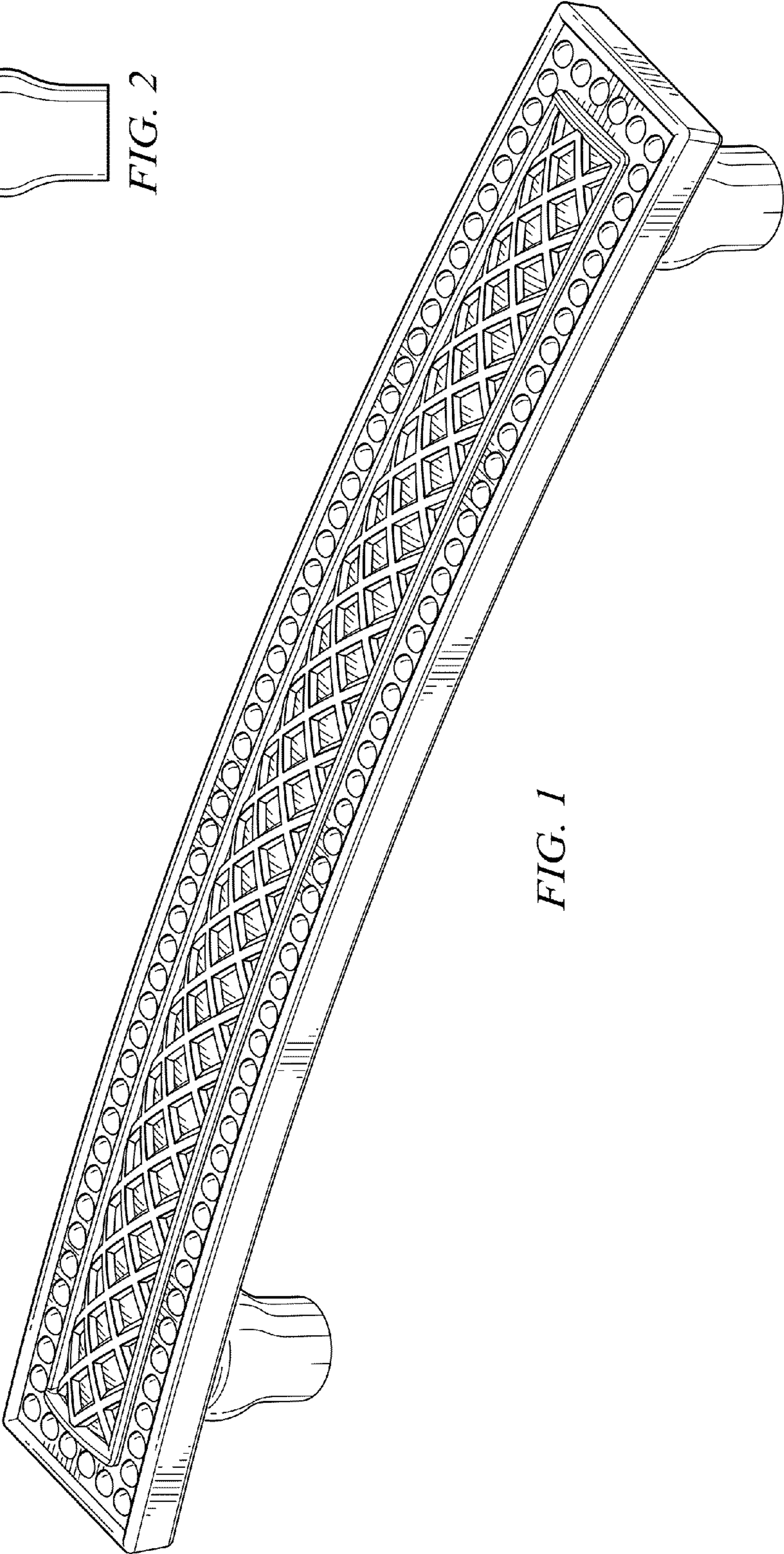


FIG. 1

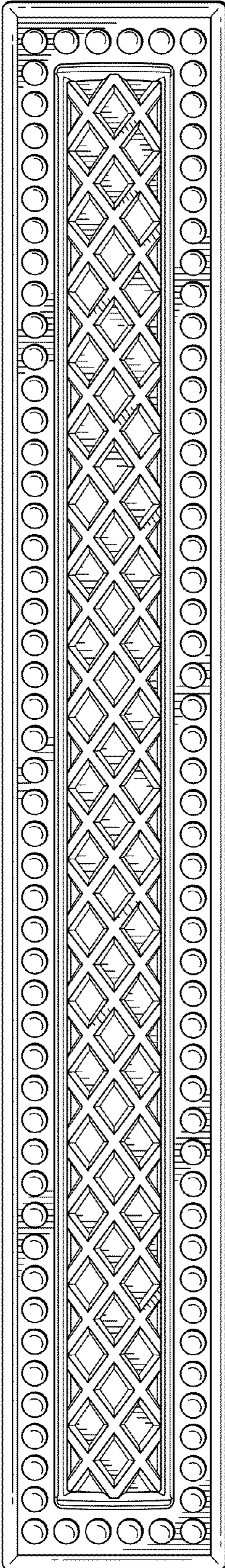


FIG. 3

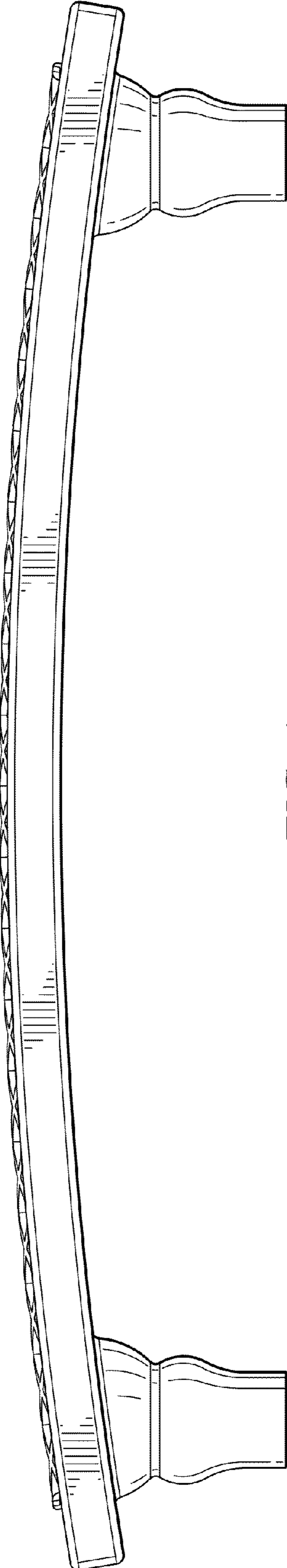


FIG. 4

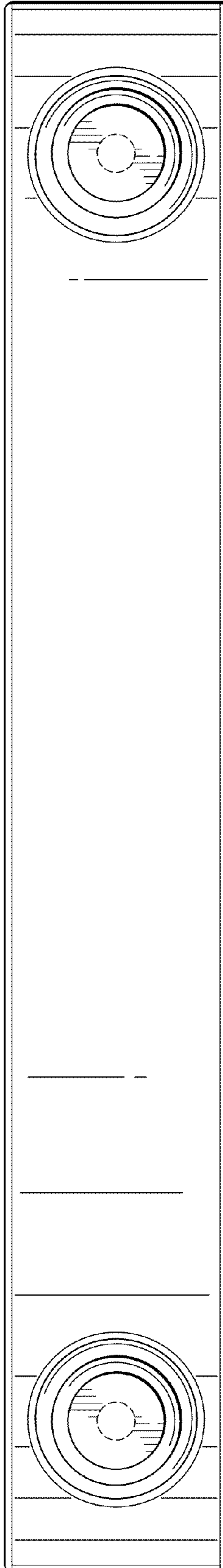


FIG. 5