



US00D679564S

(12) **United States Design Patent**  
**Hong**

(10) **Patent No.:** **US D679,564 S**  
(45) **Date of Patent:** **\*\* Apr. 9, 2013**

(54) **HAND TOOL**

(75) Inventor: **Olivier Hong**, Roissy-en-France (FR)

(73) Assignee: **Virax S.A.S.**, Epernay (FR)

(\*\*) Term: **14 Years**

(21) Appl. No.: **29/368,923**

(22) Filed: **Aug. 31, 2010**

(30) **Foreign Application Priority Data**

Aug. 27, 2010 (EP) ..... 001231666

(51) **LOC (9) Cl.** ..... **08-03**

(52) **U.S. Cl.** ..... **D8/60**

(58) **Field of Classification Search** ..... D8/60,  
D8/61, 20; 83/887, 639.1, 455, 439, 82;  
82/92, 82, 73, 128, 113; 30/99, 98, 97, 96,  
30/95, 92, 102; 166/55.8, 55.6

See application file for complete search history.

(56) **References Cited**

**U.S. PATENT DOCUMENTS**

4,094,064	A *	6/1978	Nishikawa et al.	.....	30/92
D249,015	S	8/1978	Matthews et al.		
D252,666	S	8/1979	Sakamoto		
D263,111	S	2/1982	Besenbruch		
D270,514	S	9/1983	Muromoto		
D281,249	S	11/1985	Nall et al.		
D306,392	S	3/1990	Honeycutt		
D309,563	S	7/1990	Astle		
D325,504	S	4/1992	Tobey		
D329,793	S	9/1992	Fukuda		
D367,213	S	2/1996	Azkona		
D383,643	S	9/1997	Mendenhall		
D384,869	S	10/1997	Aubriot		
D399,399	S	10/1998	Huang		
D400,072	S	10/1998	Huang		
D401,946	S	12/1998	Azkona		
D412,095	S *	7/1999	Tally	.....	D8/60
D414,665	S	10/1999	Longo		

D431,765	S	10/2000	Huang		
D453,287	S *	2/2002	Picaza	.....	D8/60
D547,141	S *	7/2007	Shan	.....	D8/5
D556,528	S	12/2007	Huang		
D569,702	S	5/2008	Groten		
D574,678	S *	8/2008	Lin	.....	D8/4
D578,851	S	10/2008	Huang		
D581,233	S *	11/2008	Sullivan	.....	D8/60
D583,208	S	12/2008	Huang		
D591,125	S	4/2009	Groten		
D591,126	S	4/2009	Groten		
D609,541	S *	2/2010	Hutchfield	.....	D8/52
D612,221	S *	3/2010	Groten et al.	.....	D8/60
D612,697	S	3/2010	Huang		
D612,698	S	3/2010	Huang		
D614,929	S	5/2010	Kobayashi		
D618,075	S	6/2010	Huang		
D626,812	S	11/2010	Mascay et al.		

**OTHER PUBLICATIONS**

Virax 2010 Catalogue, Front & Back covers and pp. 56-60 showing various tube cutters.

\* cited by examiner

*Primary Examiner* — Austin Murphy

(74) *Attorney, Agent, or Firm* — Stites & Harbison PLLC; Douglas E. Jackson

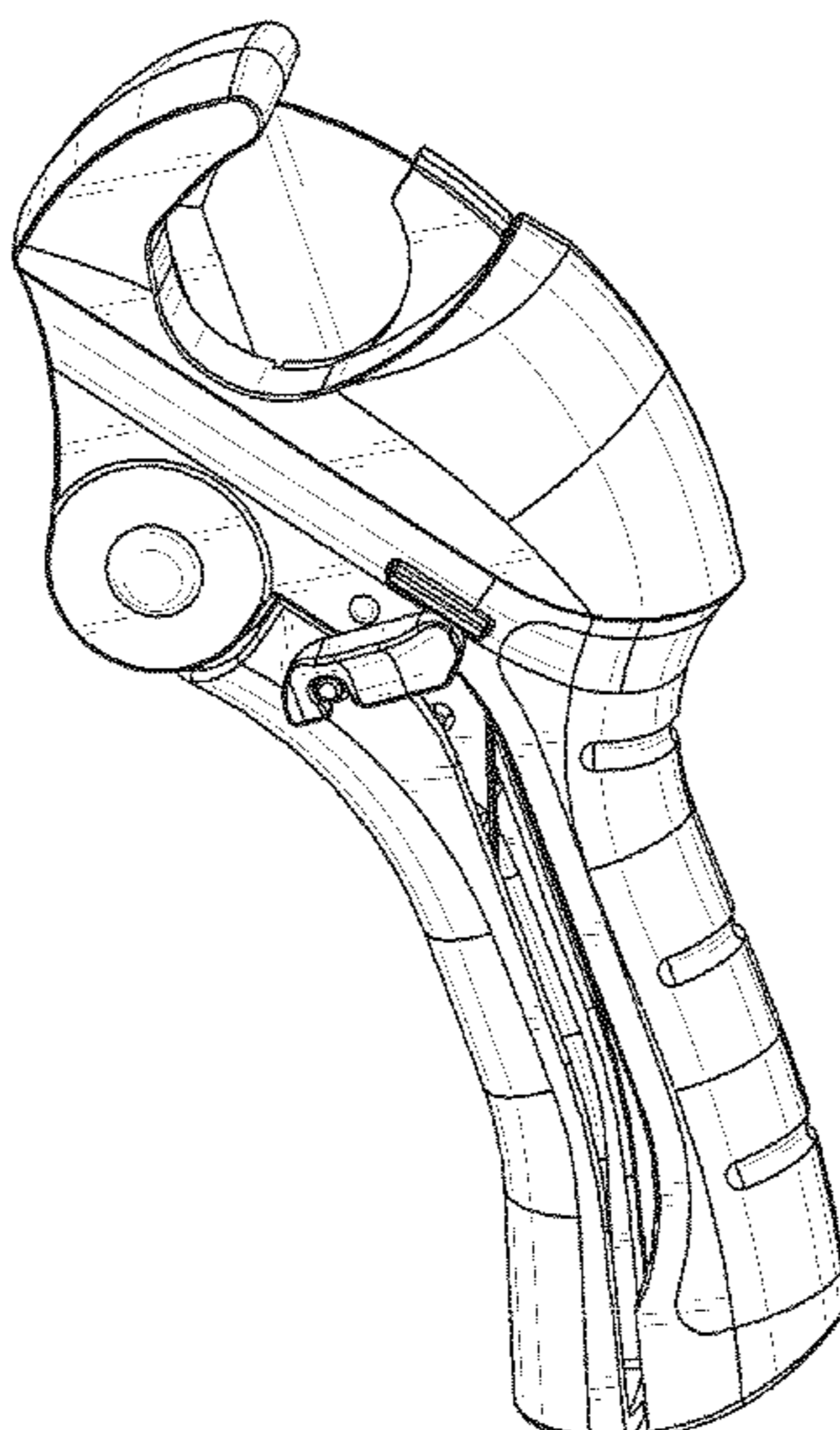
(57) **CLAIM**

The ornamental design for a hand tool, as shown and described.

**DESCRIPTION**

FIG. 1 is a perspective view of a first embodiment of a hand tool according to the present invention; FIG. 2 is a front view of the tool of FIG. 1; FIG. 3 is a rear view of the tool of FIG. 1; FIG. 4 is a left side view of the tool of FIG. 1; FIG. 5 is a right side view of the tool of FIG. 1; FIG. 6 is a top plan view of the tool of FIG. 1; and, FIG. 7 is a bottom plan view of the tool of FIG. 1.

**1 Claim, 5 Drawing Sheets**



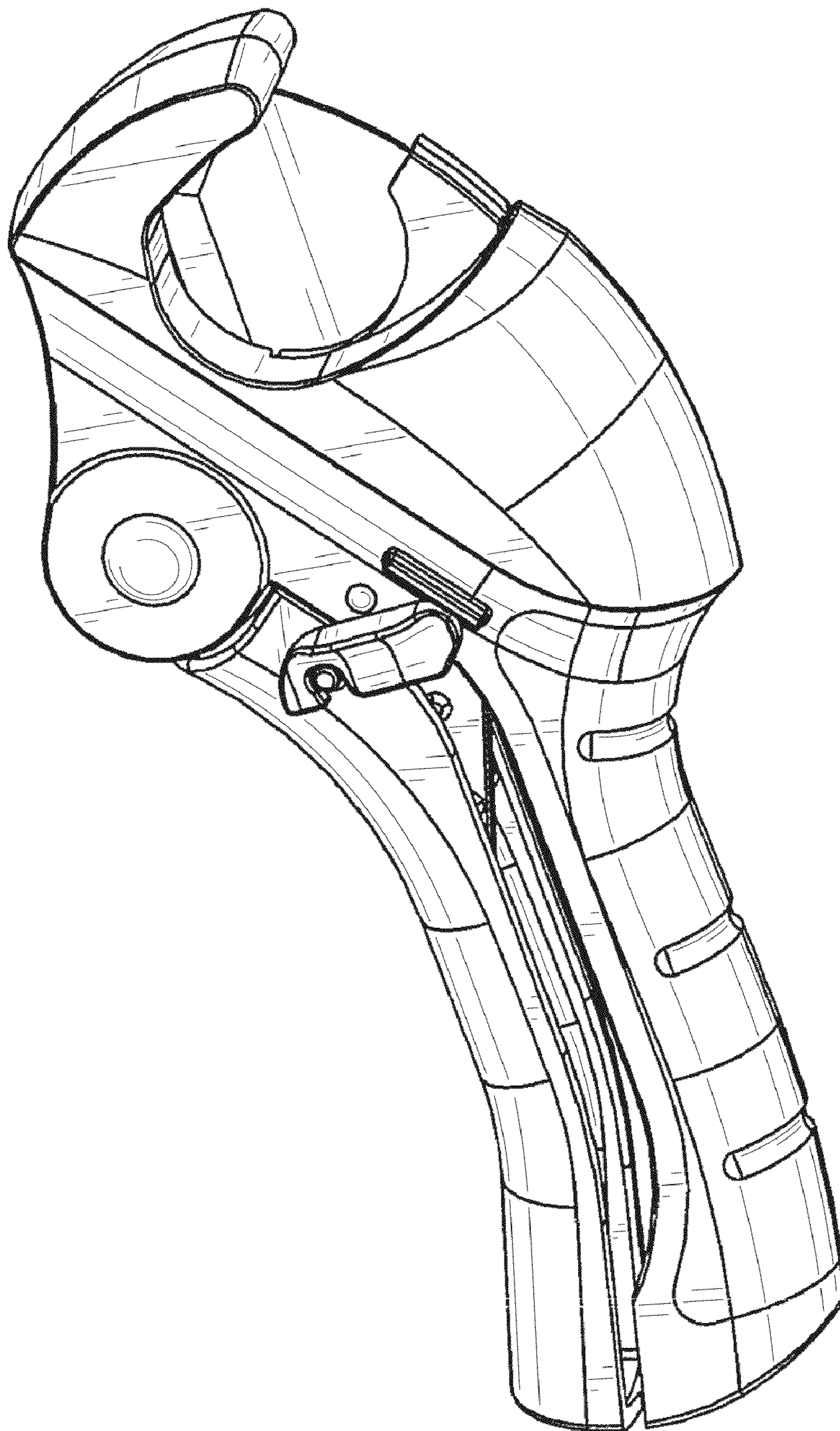


FIG. 1

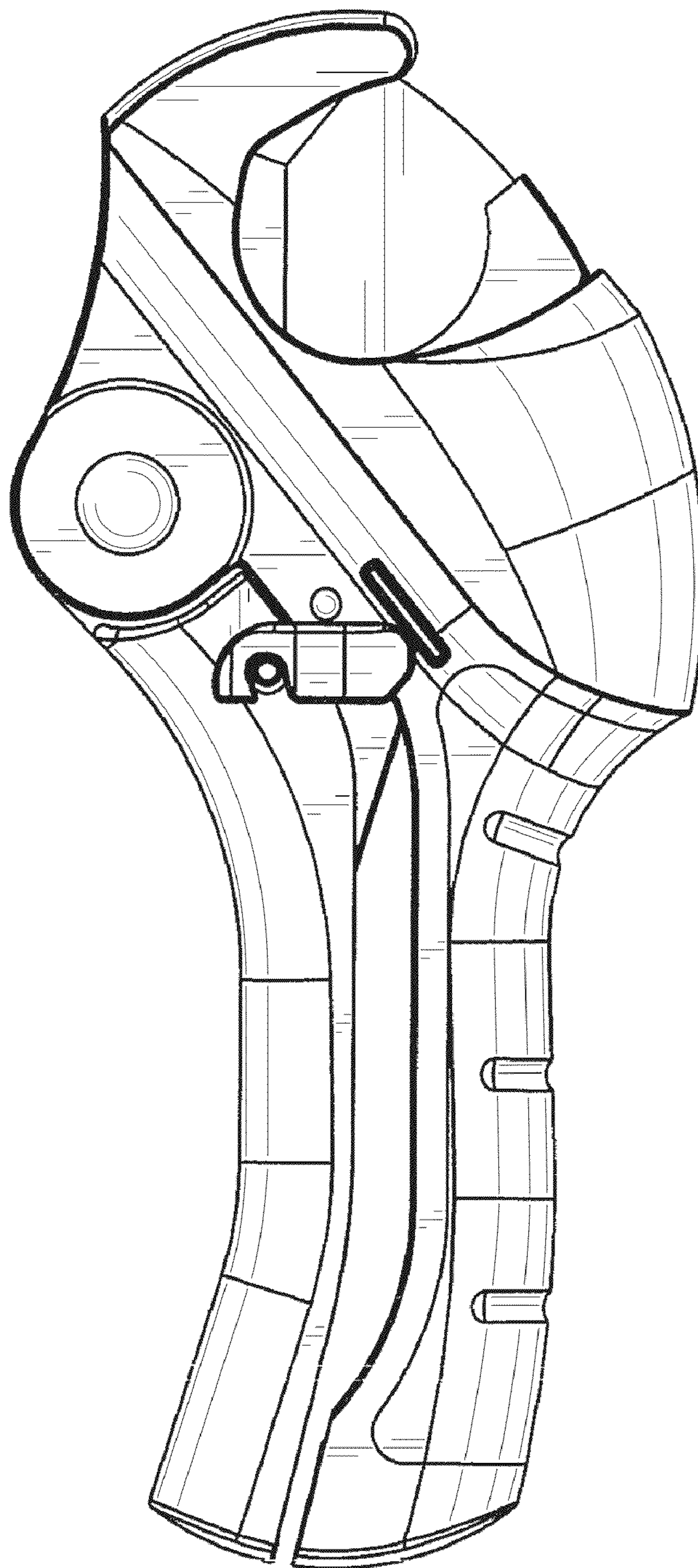


FIG. 2

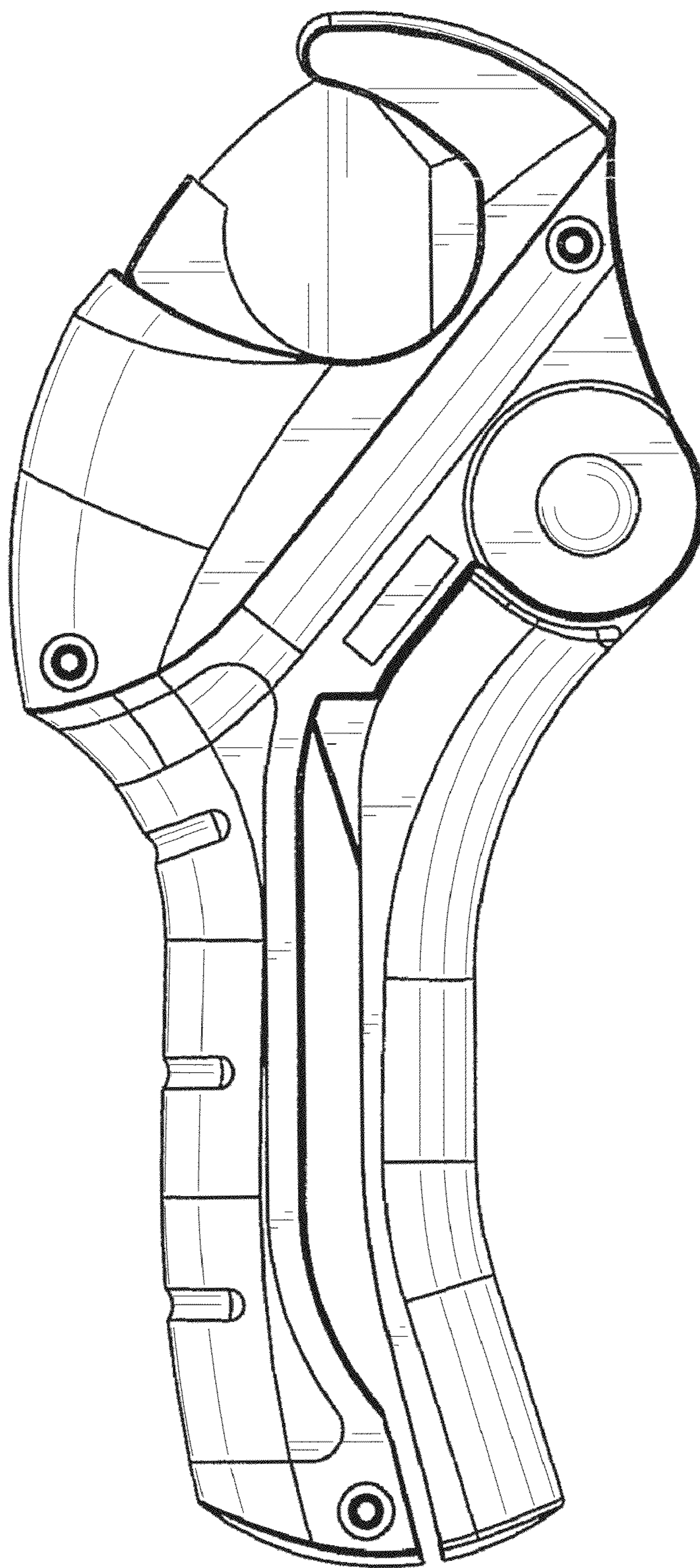


FIG. 3

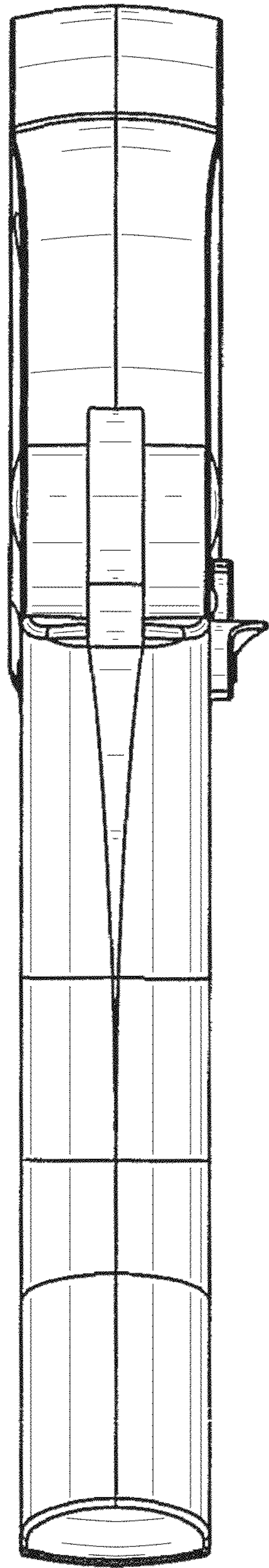


FIG. 4

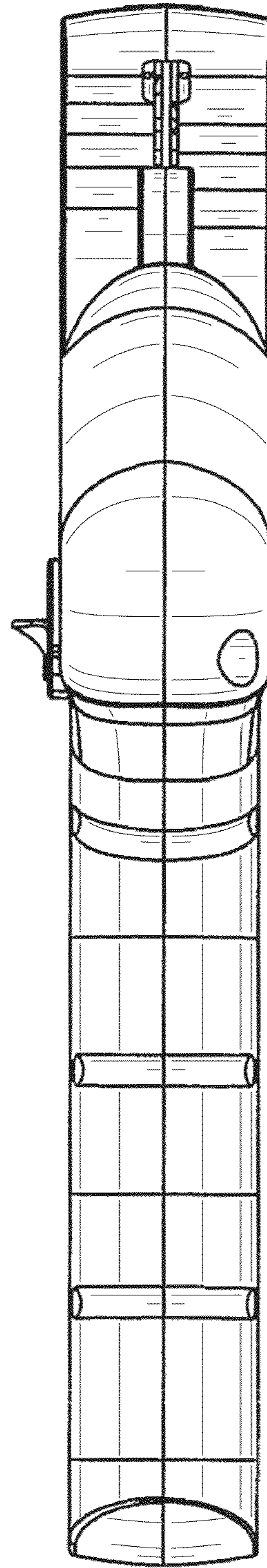


FIG. 5

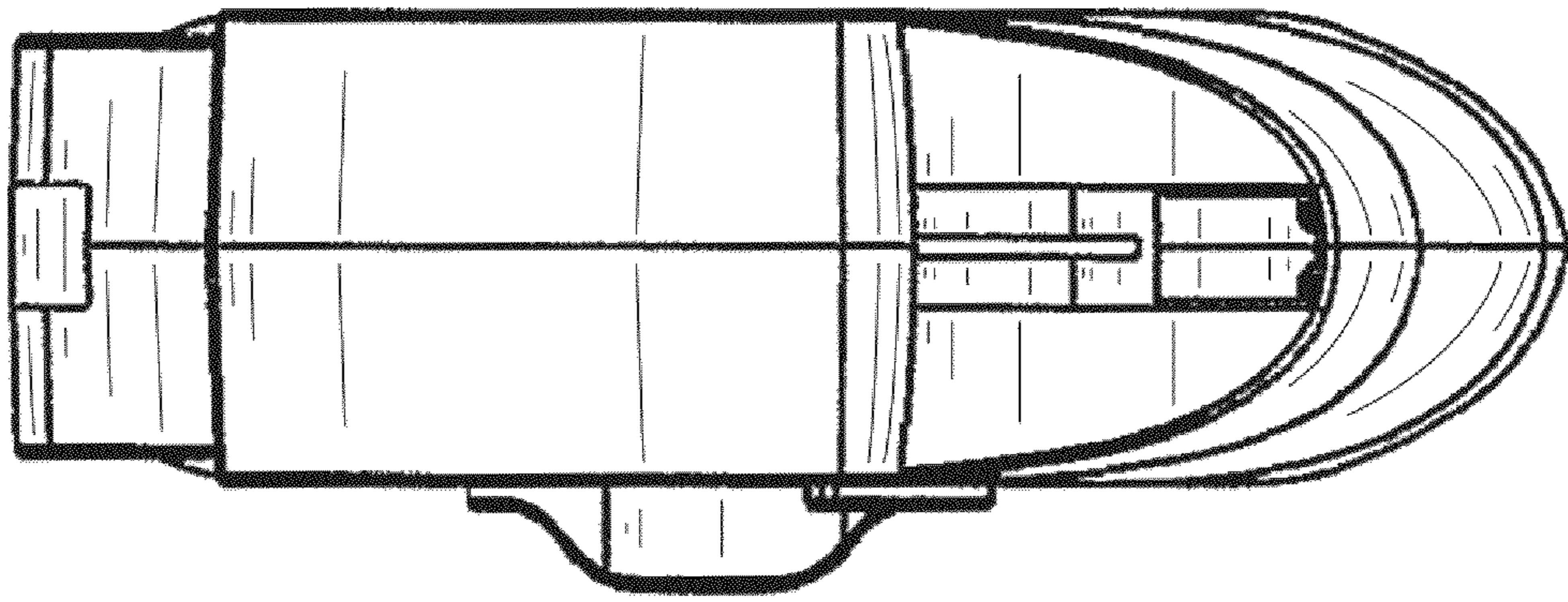


FIG. 6

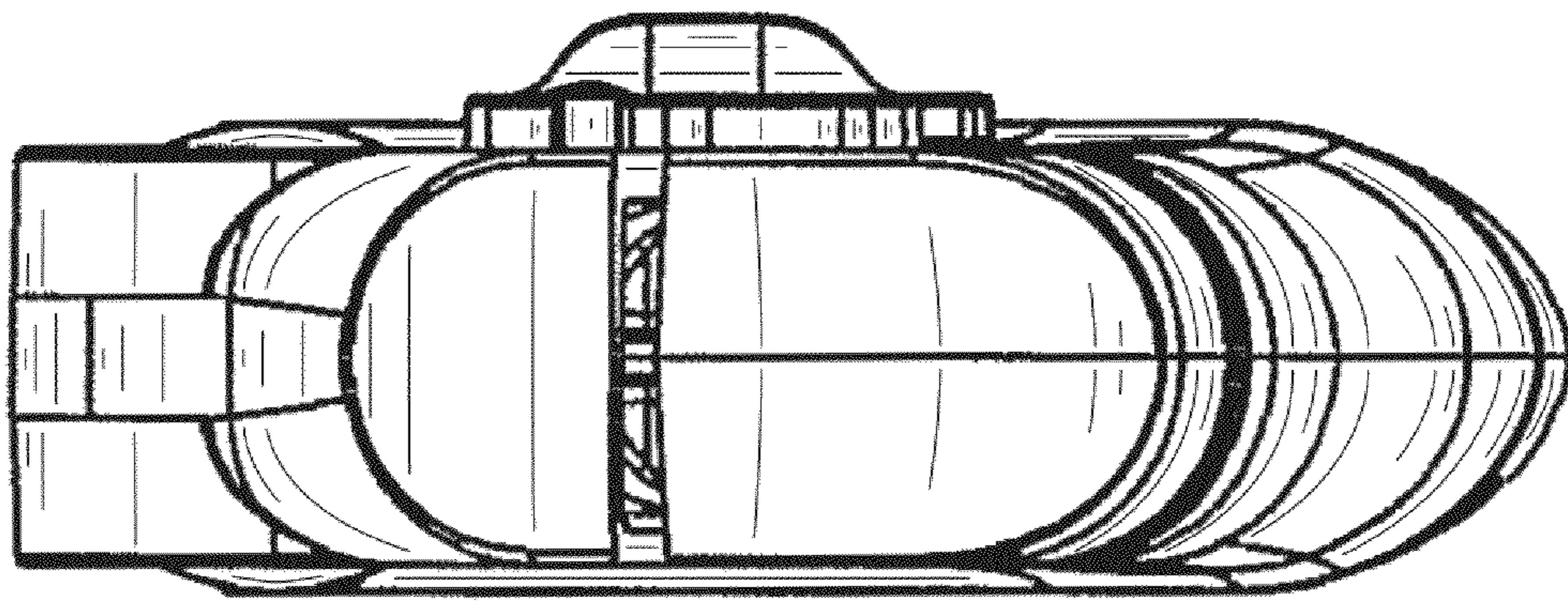


FIG. 7